

**BALDOR® • RELIANCE** 

**Product Information Packet**

**CDPSWD3426**

**.5HP,1750RPM,DC,56C,3428P,TEFC,F1**

Part Detail							
Revision:	Y	Status:	PRD/A	Change #:		Proprietary:	No
Type:	DC	Prod. Type:	3428P	Elec. Spec:	34WG3946	CD Diagram:	CD0194
Enclosure:	TEFC	Mfg Plant:		Mech. Spec:	34-6694	Layout:	34LY6694
Frame:	56C	Mounting:	F1	Poles:	00	Created Date:	
Base:	RG	Rotation:	R	Insulation:	F	Eff. Date:	04-05-2018
Field Type:		Literature:		Elec. Diagram:		Replaced By:	

Specs			
Enclosure:	TEFC		
Frame:	56C		
Frame Material:	Stainless Steel		
XP Class and Group:	None		
Agency Approvals:	CSA		
	UR		
Base Indicator:	Rigid		
Bearing Grease Type:	Polyrex EM (-20F +300F)		
Drip Cover:	No Drip Cover		
Duty Rating:	CONT		
Feedback Device:	NO FEEDBACK		
Heater Indicator:	No Heater		
Insulation Class:	F		
Lifting Lugs:	No Lifting Lugs		
Motor Lead Quantity/Wire Size:	2 @ 14 AWG		
Motor Lead Exit:	Ko Box		

<b>Motor Lead Termination:</b>	Flying Leads		
<b>Mounting Arrangement:</b>	F1		
<b>Product Family:</b>	Wash Down Paint Free		
<b>Pulley End Bearing Type:</b>	Sealed Bearing		
<b>RoHS Status:</b>	ROHS COMPLIANT		
<b>Shaft Extension Location:</b>	Pulley End		
<b>Shaft Ground Indicator:</b>	No Shaft Grounding		
<b>Shaft Rotation:</b>	Reversible		
<b>Shaft Slinger Indicator:</b>	Shaft Slinger		
<b>Motor Standards:</b>	NEMA		
<b>XP Division:</b>	Not Applicable		



Parts List		
Part Number	Description	Quantity
SA018055	SA 34-6694-3946G1	1.000 EA
AA003826	AA 34-6694-3946G1	1.000 EA
BP5000AW14SP	CARBON BRUSH - 33P, 180 VOLTS	1.000 EA
11XW1032G06	10-32 X .38, TAPTITE II, HEX WSHR SLTD U	1.000 EA
HW3001B01	BRASS CUP WASHER, FOR #10 SCREW	1.000 EA
HW4600B39SP	V-RING SLINGER 0.550 X 0.790 X .18 VITON	1.000 EA
HW4600A54	SEAL 0.668 X 1.064 X 0.250 DOUBLE SHIELD	1.000 EA
HW5100A03	WAVY WASHER (W1543-017)	1.000 EA
HA1049A01	DUBO LOK WASHER SIZE 10 (NYLON LOCK SEAL	2.000 EA
12XN1032S22	10-32 X 1 3/8 SLOT HEX, STAINLESS STEEL	2.000 EA
HW4606A01	JM CLIPPER/SEAL (WDE-0667-1064-BH49)	1.000 EA
11XW1032S06	10-32 X .38, TAPTITE II, HEX WSHR SLTD U	3.000 EA
80XN1032A03	10-32 X 3/16 SET SCREW	2.000 EA
34FN3002A01SP	EXTERNAL FAN, PLASTIC, .637/.639 HUB W/	1.000 EA
34FH4002A08	FAN COVER, #304 SS #4 FINISH (NUPAR	1.000 EA
11XW1032S06	10-32 X .38, TAPTITE II, HEX WSHR SLTD U	3.000 EA
11XW1032S06	10-32 X .38, TAPTITE II, HEX WSHR SLTD U	3.000 EA
BP5201A17	BRUSH HOLDER - WITHOUT CAP & CONN.	2.000 EA
34CB4504A04	CB LID, STAMPED,#304 SS #4 FINISH	1.000 EA
34GS1011A03	GASKET, CONDUIT BOX LID (.062 WHITE)	1.000 EA
59XW0832S07	TAPTITE II,HEX WSHR UNSLTD SER,410 S.S.,	2.000 EA
HW2502D13	SS KEY, 3/16 SQ X 1.375	1.000 EA
LB1164	LABEL,WARNING AND DRAIN	1.000 EA
BP4543A01	BRUSH HOLDER CAP, AE-74-SO W/O'RING	2.000 EA

Parts List (continued)		
Part Number	Description	Quantity
BP3000A01	AMP LEAD CLIP #60812-2 SPL	2.000 EA
HA5027A01	HA4066A01 T-DRAIN X2 BAGGED	1.000 EA
34EP3103B64U	ENDPLATE, FOR PAINT FREE WASHDOWN	1.000 EA
34EP3300A53U	ENDPLATE, FOR PAINT FREE WASHDOWN	1.000 EA
MJ1000A02	GREASE, POLYREX EM EXXON (USe 4824-15A)	0.001 LB
MJ5001A23	P.D. GEORGE B-276 AIR DRY VARNISH	0.001 GA
MJ5001A02	732 CL SEALANT 3 OZ DIXIE BEARING 289100	0.001 EA
MJ5004A05	#242-21 LOCTITE GENERAL PURPOSE MED. STR	0.001 EA
85XU0407S04	4X1/4 U DRIVE PIN STAINLESS	2.000 EA
WD4102A01	SR-6L-1 HEYCO STRN RELIEF OR 23MPO6L10 M	1.000 EA
WD4100A17	PLUG STIMPSON D4036	1.000 EA
ML14A1B14	14 AWG,A1,BLACK	8.500 IN
ML14A2B14	14 AWG,A2,BLACK	8.500 IN
HA3100S12	THRUBOLT 7.625 LENGTH 1.250 TH LENGTH SS	4.000 EA
MN416A01	TAG-INSTAL-MAINT no wire (1200/bx) 5/18	1.000 EA
LC0194	CONNECTION LABEL	1.000 EA
NP1502	WASHDOWN NP "DC MOTORS" UL CSA	1.000 EA
35PA1000	PKG GRP, PRINT PK1008A06	1.000 EA

**DC Motor Performance Data**

Record # 1433 - Typical performance - not guaranteed values

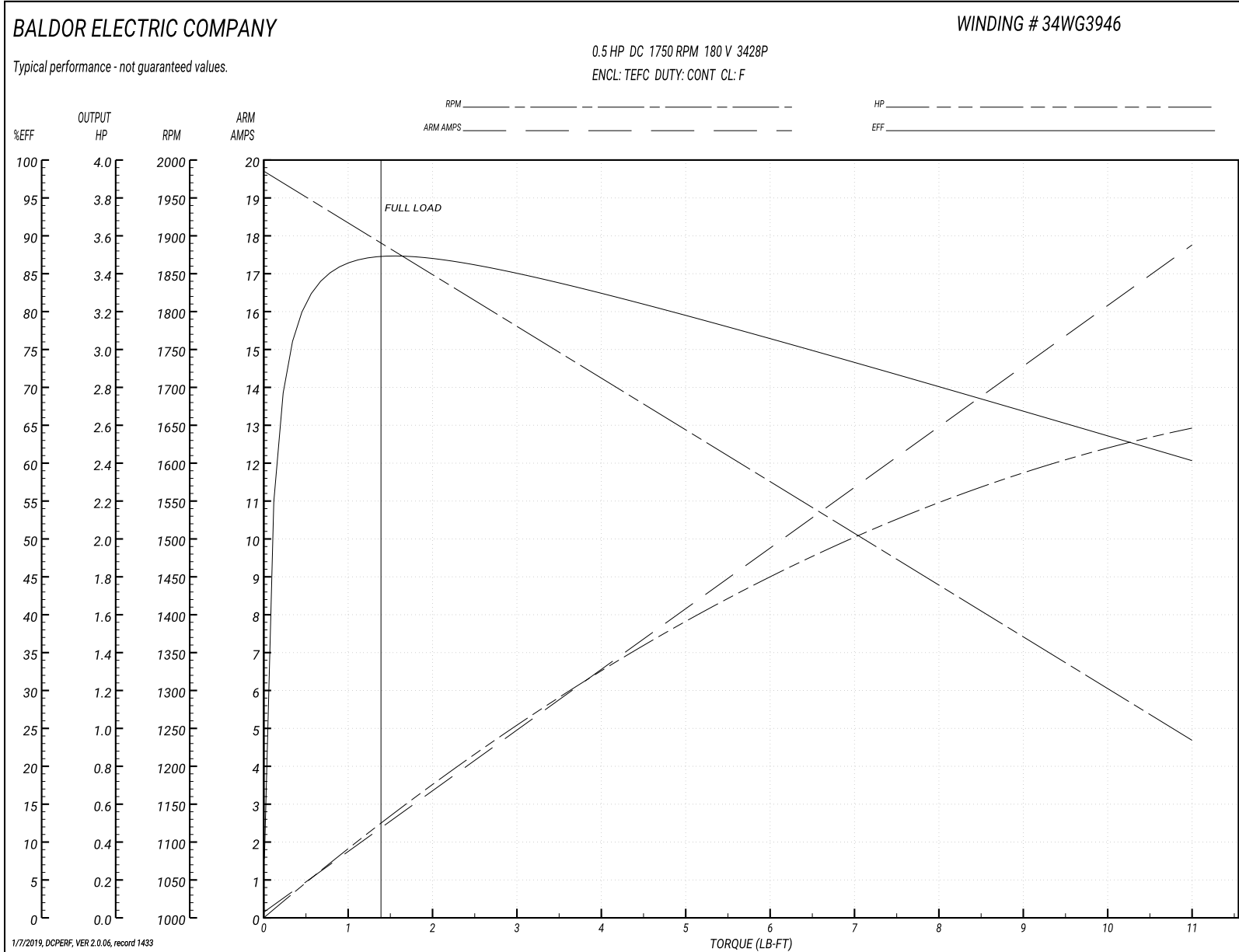
<b>Winding:</b> 34WG3946-R006	<b>Type:</b> 3428P	<b>Enclosure:</b> TEFC
-------------------------------	--------------------	------------------------

Nameplate Data		General Characteristics	
Rated Output (HP)	0.5	Armature Resistance @ 25°C	2.728 Ω
R.P.M.	1750		
Armature Volts	180		
Armature Amps	2.5		
Field Volts		Armature Inductance	27.3166 mH
Field Amps			
Rating - Duty	40C AMB-CONT		
Form Factor	1.5		

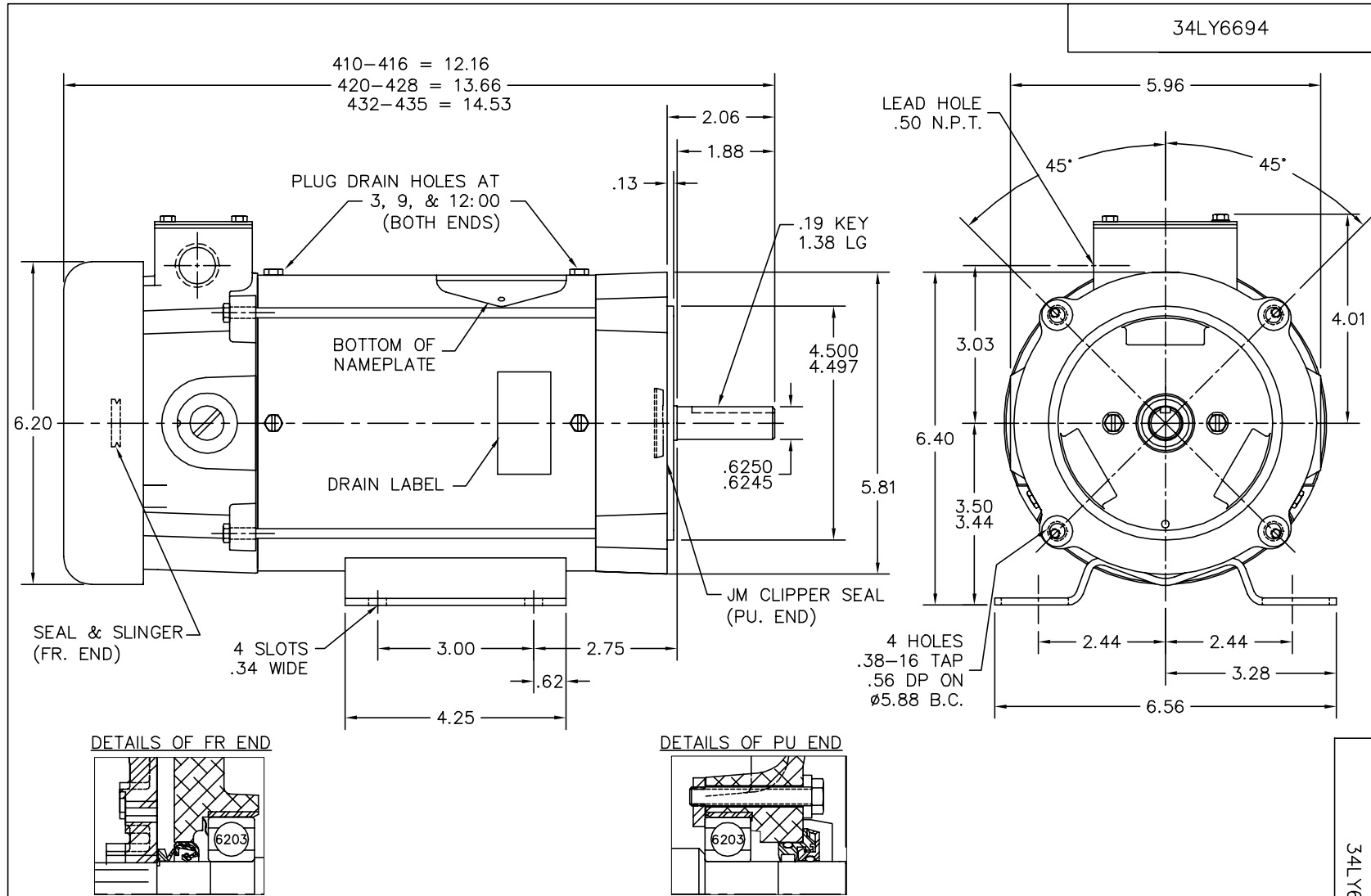
Load Characteristics at 180 Armature Volts

Load Point	1	2	3	4	5	6	7
Armature Amps	0.16	5.66	7.36	9.76	12.96	15.36	17.76
R.P.M.	1985	1750	1678	1576	1439	1337	1234
Torque ( LB-FT )	0	3.44	4.5	6	8	9.5	11

Performance Graph at 180.0 Arm V, 0.5HP Typical performance - Not guaranteed values







CUSTOMER IS RESPONSIBLE FOR DETERMINING THAT BALDOR'S PRODUCT WILL PERFORM SUITABLY IN THE INTENDED APPLICATION.

REV. DESC: REMOVE "EA SIDE" FROM DRAIN LABEL CALL-OUT		
REV. LTR: C	VERSION: 01	TDR: 000000563255
FILE: \AAA\00043\375	REVISED: 04:18:28 10/25/2010	
MTL: -	BY: ENJERWO	

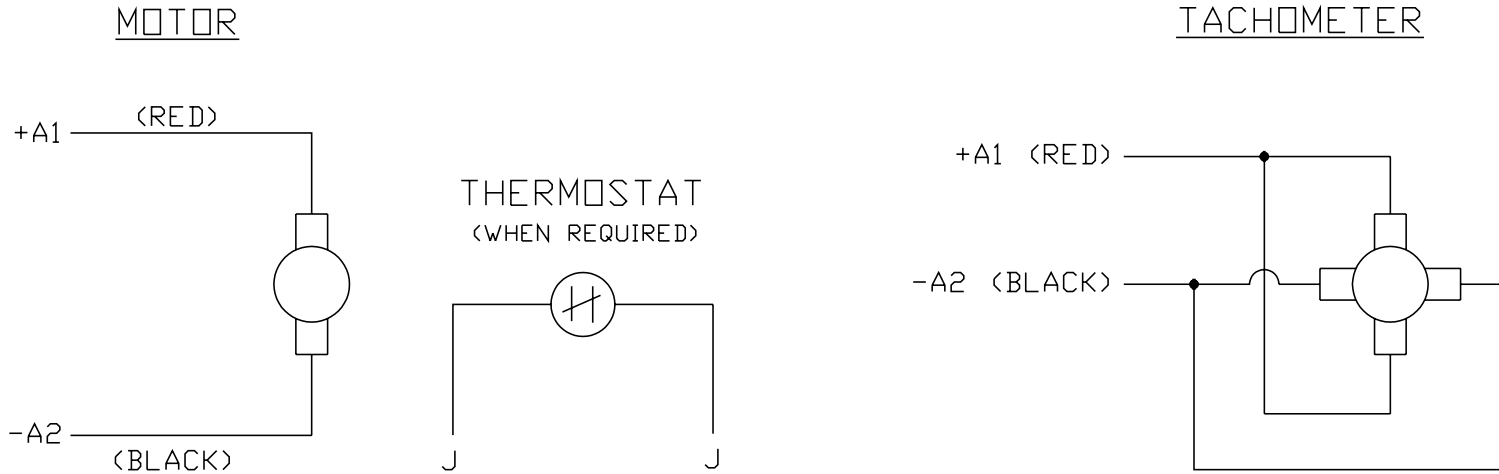
**BALDOR**

SPL HORZ 34PM NEMA 56C TEFC PAINT FREE WASHDOWN

SH 1 of 1

34LY6694

CD0194



NOTES:

1. CCW ROTATION AS SHOWN FACING COMMUTATOR END. TO REVERSE MOTOR ROTATION OR TACHOMETER OUTPUT POLARITY INTERCHANGE LEADS A1(RED) & A2(BLACK)
2. LEAD COLORS FOR REFERENCE ONLY & NOT SPECIFIED BY THIS DRAWING. LEAD COLORS SPECIFIED BY LAYOUT DRAWING & BILL OF MATERIAL ONLY.

MATL: -			
REV: E	ADDED NOTE "LEAD COLORS FOR REFERENCE ONLY &..."		
761000	SCALE: -	BY: CK	REVISED: 07/28/95
	FILE: AAA00004503		TDR: 0078737

**BALDOR ELECTRIC Co.**

CD TYPE P DC PERMANENT MAGNET MOTORS AND TACHOMETERS

CD0194