

**BALDOR® • RELIANCE** 

**Product Information Packet**

**CDPWD3603**

**3HP,1750RPM,DC,184TC,3649P,TEFC,F1**

Part Detail							
Revision:	AU	Status:	PRD/A	Change #:		Proprietary:	No
Type:	DC	Prod. Type:	3649P	Elec. Spec:	36WGZ507	CD Diagram:	CD0194
Enclosure:	TEFC	Mfg Plant:		Mech. Spec:	36P126	Layout:	36LYP126
Frame:	182TC	Mounting:	F1	Poles:	00	Created Date:	
Base:	RG	Rotation:	R	Insulation:	F	Eff. Date:	09-16-2016
Field Type:		Literature:		Elec. Diagram:		Replaced By:	

Specs			
Enclosure:	TEFC		
Frame:	184TC		
Frame Material:	Steel		
XP Class and Group:	None		
Agency Approvals:	CE		
	CSA		
	UR		
	WEEE		
Base Indicator:	Rigid		
Bearing Grease Type:	Polyrex EM (-20F +300F)		
Drip Cover:	No Drip Cover		
Duty Rating:	CONT		
Feedback Device:	NO FEEDBACK		
Heater Indicator:	No Heater		
Insulation Class:	F		
Lifting Lugs:	Standard Lifting Lugs		

<b>Motor Lead Quantity/Wire Size:</b>	2 @ 12 AWG, A		
<b>Motor Lead Exit:</b>	Ko Box		
<b>Motor Lead Termination:</b>	Flying Leads		
<b>Mounting Arrangement:</b>	F1		
<b>Product Family:</b>	Wash Down		
<b>Pulley End Bearing Type:</b>	Sealed Bearing		
<b>RoHS Status:</b>	ROHS COMPLIANT		
<b>Shaft Extension Location:</b>	Pulley End		
<b>Shaft Ground Indicator:</b>	No Shaft Grounding		
<b>Shaft Rotation:</b>	Reversible		
<b>Shaft Slinger Indicator:</b>	Shaft Slinger		
<b>Motor Standards:</b>	NEMA		
<b>XP Division:</b>	Not Applicable		

Nameplate NP1509			
CAT.NO.	CDPWD3603		
SPEC.	36P126Z507		
HP	3	ENCL	TEFC
RPM	1750		
FRAME	184TC	TYPE	3649P
ARM V	180	ARM A	14
FLD V		FLD A	
INSUL	F	AMB.	40
DUTY	CONT	SUPPLY	K
BRG/DE	6206	BRG/ODE	6206
BRUSHES	2/BP5031A01		
SER.		BLANK	
BLANK	IP55		
APRV-CSA	<input type="checkbox"/>	APRV-UL	<input type="checkbox"/>
		APRV-CE	<input type="checkbox"/>

Parts List		
Part Number	Description	Quantity
SA043650	SA 36P126Z507	1.000 EA
AA005125	AA 36P126Z507	1.000 EA
BP5031A01SP	CARBON BRUSH, HELWIG GRADE H45 180 VOLTS	1.000 EA
BP5030	BRUSH SPRING FOR 36DC/PM MOTORS	2.000 EA
HW3201A05	3/8-16 EYEBOLT	1.000 EA
19XM3118A08	5/16-18X1/2 HX HD ROLL FM#93882A578 MCMA	4.000 EA
36CB3000A39W	CONDUIT BOX MACH'G .50 N.P.T.	1.000 EA
36GS1000A01	GASKET - CONDUIT BOX 35 & 36 PM FRAME	1.000 EA
51XB1016A07	10-16 X 7/16 HXWSSLD SERTYB	2.000 EA
11XW1032G06	10-32 X .38, TAPTITE II, HEX WSHR SLTD U	1.000 EA
36EP3402A04WP	FREP, MACH, WHITE PRIMER POWDER COAT	1.000 EA
HW4032A01	BLACK DRAIN PLUG FOR WASH DOWN MOTORS	3.000 EA
26XW1032A08	10-32 X 1/2 PHILLIPS HEAD TAPTITE-II (SI	4.000 EA
HW4600B36SP	V-RING SLINGER 1.188 X 1.690 X .24 VITON	1.000 EA
HW4600B36SP	V-RING SLINGER 1.188 X 1.690 X .24 VITON	1.000 EA
HW4600B50	SEAL 1.156 X 1.874 X 0.250 SINGLE LIP DB	1.000 EA
HW4600B50	SEAL 1.156 X 1.874 X 0.250 SINGLE LIP DB	1.000 EA
HW5100A06	W2420-025 WVY WSHR (WB)	1.000 EA
36EP3302A02WP	PUEP, MACH, WHITE PRIMER POWDER COAT	1.000 EA
HW4032A01	BLACK DRAIN PLUG FOR WASH DOWN MOTORS	3.000 EA
10XN2520S28	1/4-20X 1 3/4 HEX HD SS X	4.000 EA
36FN3000A01SP	EXFN, PLASTIC, 7.00 OD, .912 ID	1.000 EA
51XB1214A16	12-14X1.00 HXWSSLD SERTYB	1.000 EA
36FH5000A11W	36FH5000A11 W/WHT EPOXY	1.000 EA

Parts List (continued)		
Part Number	Description	Quantity
11XW1032S06	10-32 X .38, TAPTITE II, HEX WSHR SLTD U	3.000 EA
WD4100A05	DP-1093 HEYCO PLUG OR 62MP1093 MICOR PL	1.000 EA
35CB4514WP	CB LID LIPPED, WHITE PRIMER POWDER COAT	1.000 EA
36CB4500WSP	CONDUIT BOX LID, STAMPED W/WHITE EPOXY	2.000 EA
36GS1001A05	GASKET - CONDUIT BOX LID 36 FRAME	2.000 EA
59XW0832S07	TAPTITE II,HEX WSHR UNSLTD SER,410 S.S.,	8.000 EA
36GS1001A05	GASKET - CONDUIT BOX LID 36 FRAME	1.000 EA
59XW0832S07	TAPTITE II,HEX WSHR UNSLTD SER,410 S.S.,	4.000 EA
HW2502E16	#303 SS,SQ KEY 1/4 X 1.750	1.000 EA
HA7000A02	KEY RETAINER RING, 1 1/8 DIA, 1 3/8 DIA	1.000 EA
MJ5001A27	32220KN GRAY SEALER *MIN BUY 4 QTS=1GAL	0.005 QT
LB1115N	LABEL,LIFTING DEVICE (ON ROLLS)	1.000 EA
LB1164	LABEL,WARNING AND DRAIN	2.000 EA
HW3001B02	BRASS CUP WASHER W/GROUND SYMBOL TAB,	1.000 EA
MG1025W01	WILKOFAS, 781.01, SIGNAL WHITE #9003	0.019 GA
85XU0407S04	4X1/4 U DRIVE PIN STAINLESS	2.000 EA
NP1509	DC, WD, UL CE CSA, W/O THERMAL	1.000 EA
MG5010A01	TRICKLE VARNISH (PEDIGREE 600 S)	0.005 GA
MG5010Z01	488 (TPB) CATALYST	0.001 LB
36RK5009	ROCKERARM ASSY 36PM TYPE 3649P MTR (.428	1.000 EA
HA3101S40	THRUBOLT 1/4-20 X 12.687	4.000 EA
MN416A01	TAG-INSTAL-MAINT no wire (1200/bx) 5/18	1.000 EA
LC0194	CONNECTION LABEL	1.000 EA
37PA1016	PKG GRP, PRINT PK1035A06	1.000 EA

LB1594	MYLAR WEEE WHEELIE BIN SYMBOL FOR CE MOT	1.000 EA
--------	--	----------

**DC Motor Performance Data**

Record # 311 - Typical performance - not guaranteed values

<b>Winding:</b> 36WGZ507-R001	<b>Type:</b> 3649P	<b>Enclosure:</b> TEFC
-------------------------------	--------------------	------------------------

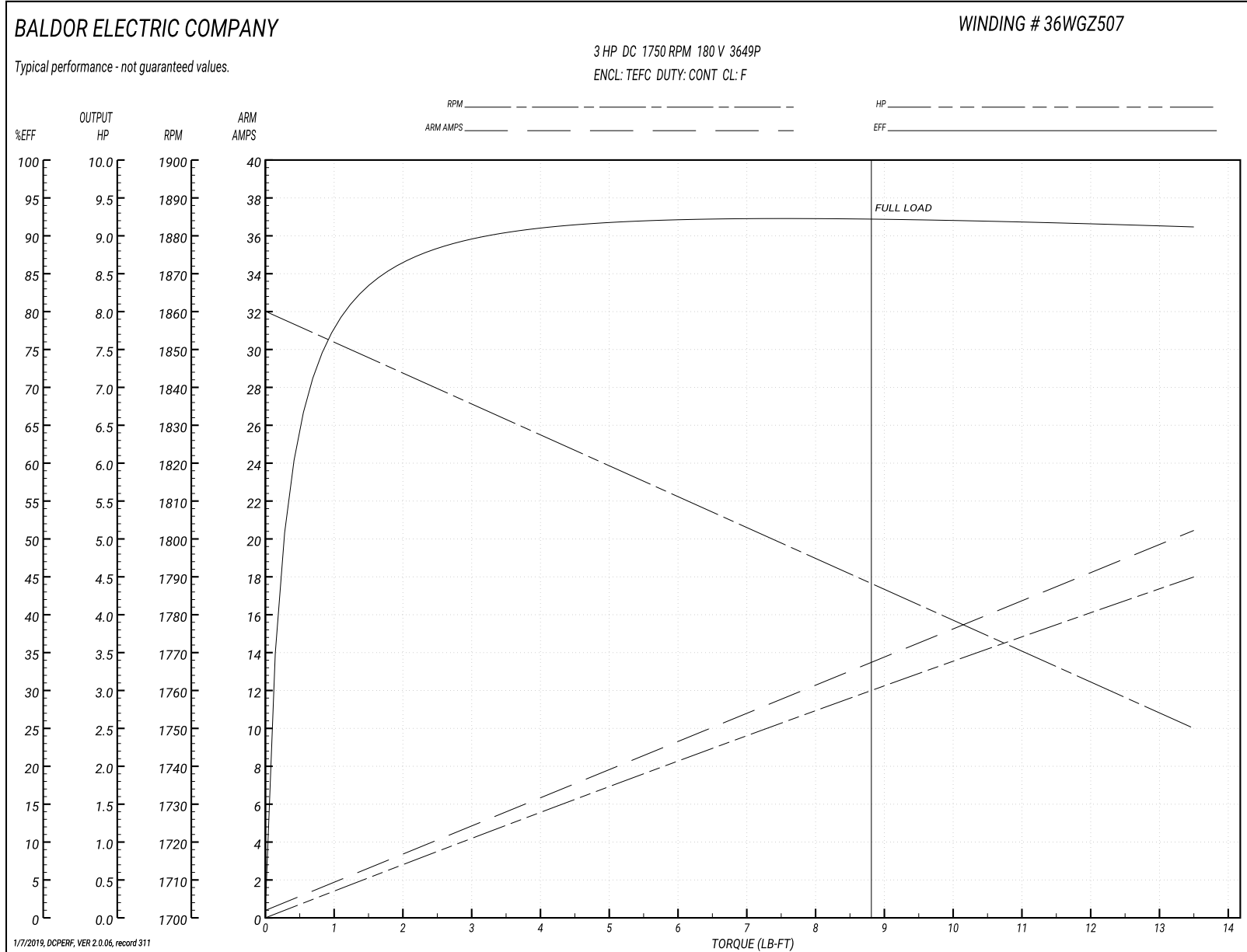
Nameplate Data		General Characteristics	
Rated Output (HP)	3	Armature Resistance @ 25°C	0.3209 Ω
R.P.M.	1750		
Armature Volts	180		
Armature Amps	14		
Field Volts			
Field Amps			
Rating - Duty	40C AMB-CONT		
Power Supply Code	K		

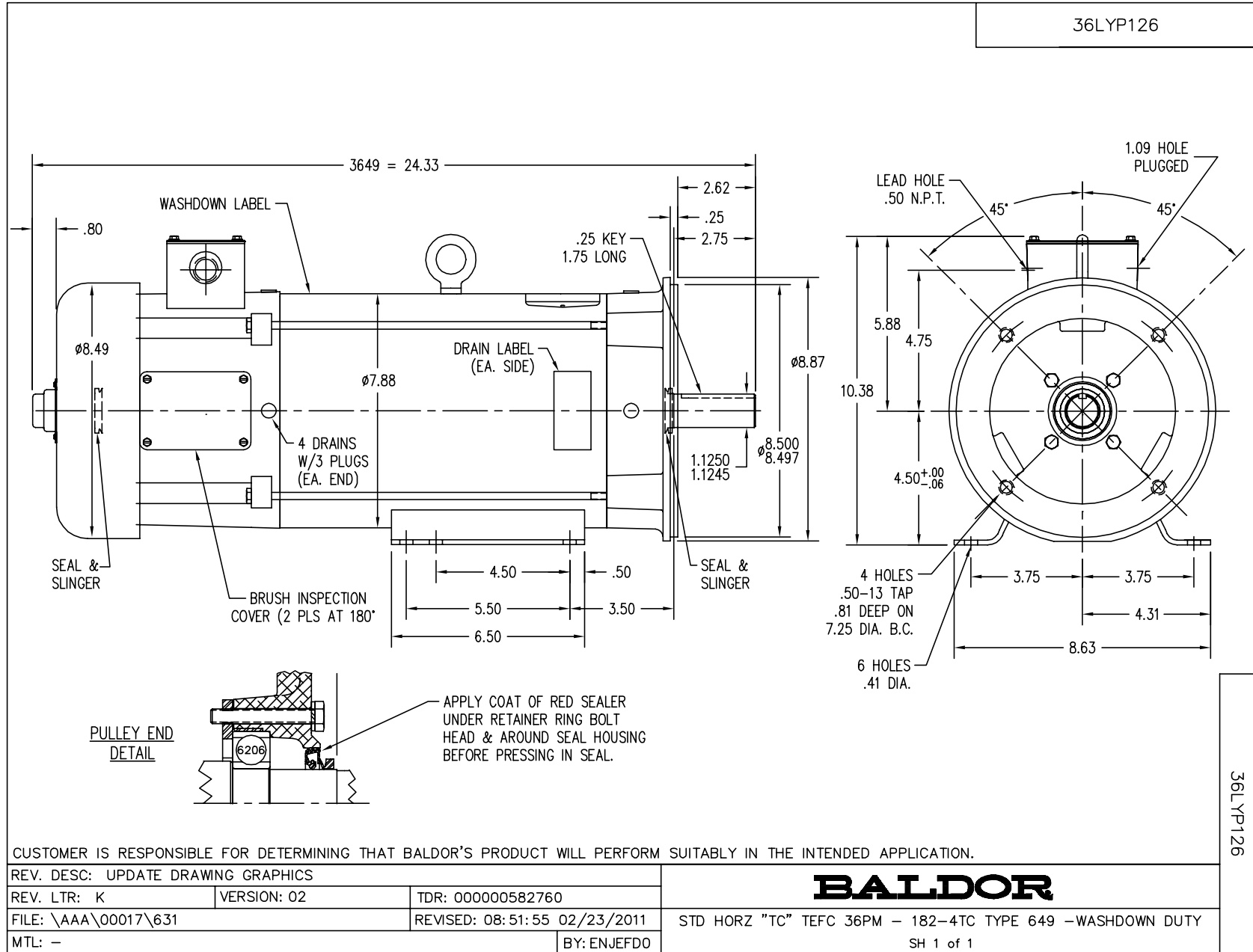
Load Characteristics at 180 Armature Volts

Load Point	1	2	3	4	5	6	7
Armature Amps	0.4	3.37	6.34	9.01	12.28	13.51	20.45
R.P.M.	1860	1844	1827	1813	1795	1788	1750
Torque ( LB-FT )	0	2	4	5.8	8	8.83	13.5



Performance Graph at 180.0 Arm V, 3.0HP Typical performance - Not guaranteed values





CUSTOMER IS RESPONSIBLE FOR DETERMINING THAT BALDOR'S PRODUCT WILL PERFORM SUITABLY IN THE INTENDED APPLICATION.

REV. DESC: UPDATE DRAWING GRAPHICS

REV. LTR: K

VERSION: 02

TDR: 000000582760

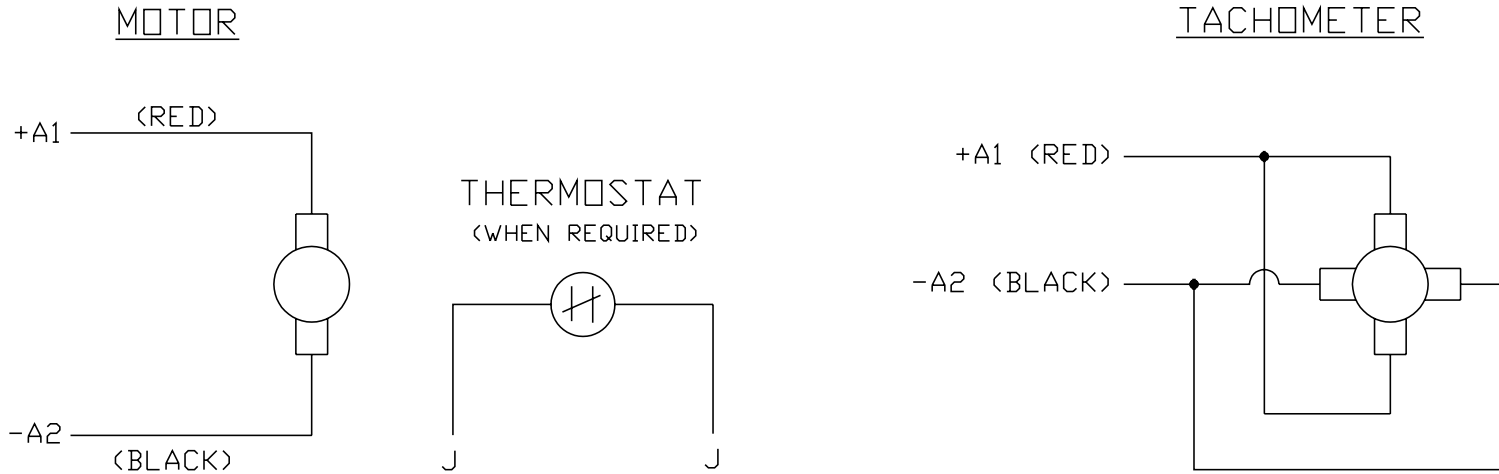
FILE: \AAA\00017\631

REVISED: 08:51:55 02/23/2011

MTL: -

BY: ENJFDO

CD0194



NOTES:

1. CCW ROTATION AS SHOWN FACING COMMUTATOR END. TO REVERSE MOTOR ROTATION OR TACHOMETER OUTPUT POLARITY INTERCHANGE LEADS A1(RED) & A2(BLACK)
2. LEAD COLORS FOR REFERENCE ONLY & NOT SPECIFIED BY THIS DRAWING. LEAD COLORS SPECIFIED BY LAYOUT DRAWING & BILL OF MATERIAL ONLY.

MATL: -			
REV: E	ADDED NOTE "LEAD COLORS FOR REFERENCE ONLY &..."		
761000	SCALE: -	BY: CK	REVISED: 07/28/95
	FILE: AAA00004503		TDR: 0078737

**BALDOR ELECTRIC Co.**

CD TYPE P DC PERMANENT MAGNET MOTORS AND TACHOMETERS

CD0194