

BALDOR® • RELIANCE 

Product Information Packet

CDPX3436

.75HP, 1750RPM, DC, 56C, X3435P, XPFC, F1

Part Detail							
Revision:	AB	Status:	PRD/A	Change #:		Proprietary:	No
Type:	DC	Prod. Type:	3435P	Elec. Spec:	34WG3865	CD Diagram:	CD0194
Enclosure:	XPFC	Mfg Plant:		Mech. Spec:	34-6519	Layout:	34LY6519
Frame:	56C	Mounting:	F1	Poles:	00	Created Date:	
Base:	RG	Rotation:	R	Insulation:	F	Eff. Date:	01-20-2017
Field Type:		Literature:		Elec. Diagram:		Replaced By:	

Specs			
Enclosure:	XPFC		
Frame:	56C		
Frame Material:	Steel		
XP Class and Group:	CLI GP D; CLII GP F,G		
Agency Approvals:	CSA		
	UL		
	UR		
Base Indicator:	Rigid		
Bearing Grease Type:	Polyrex EM (-20F +300F)		
Drip Cover:	No Drip Cover		
Duty Rating:	CONT		
Feedback Device:	NO FEEDBACK		
Heater Indicator:	No Heater		
Insulation Class:	F		
Lifting Lugs:	No Lifting Lugs		
Motor Lead Quantity/Wire Size:	2 @ 14 AWG, A		

Motor Lead Exit:	Ko Box		
Motor Lead Termination:	Flying Leads		
Mounting Arrangement:	F1		
Product Family:	General Purpose		
Pulley End Bearing Type:	Sealed Bearing		
Shaft Extension Location:	Pulley End		
Shaft Ground Indicator:	No Shaft Grounding		
Shaft Rotation:	Reversible		
Shaft Slinger Indicator:	No Slinger		
Motor Standards:	NEMA		
XP Division:	Division I		
XP Temp Code:	T3C		

Nameplate NP0727XPSL	
NO.	
SER.	
SPEC.	34-6519-3865G1
CAT.NO.	CDPX3436
HP	.75
RPM	1750
FRAME	56C
ARM V	180
FLD V	
INSUL	F
DUTY	CONT
BRG/DE	6203
BRUSHES	2/BP5011CV01
BLANK	
	T. CODE T3C
	ENCL XPFC
	TYPE 3435P
	ARM A 3.5
	FLD A
	AMB. 40
	SUPPLY 1.5
	BRG/ODE 6203

Parts List		
Part Number	Description	Quantity
SA005407	SA 34-6519-3865G1	1.000 EA
AA003056	AA 34-6519-3865G1	1.000 EA
BP5011CV01SP	CARBON BRUSH - 33P, 180V	1.000 EA
BP5012A04SP	BRUSH SPRING FOR DC MOTORS	1.000 EA
MJ5000A01	SEALANT, CHICO A COMPOUND	0.050 LB
11XW1032G06	10-32 X .38, TAPTITE II, HEX WSHR SLTD U	1.000 EA
HW3001B01	BRASS CUP WASHER, FOR #10 SCREW	1.000 EA
35CB3001A01SP	EXPL CONDUIT BOX, MACH, 1/2" PIPE TAP LE	1.000 EA
51XW0832A07	8-32 X .44, TAPTITE II, HEX WSHR SLTD SE	4.000 EA
34EP2700A01	SPL FR.E.P. X34DC	1.000 EA
HW4030A01	1-1/2" N.P.T. PIPE PLUG W/SQ.HEAD	2.000 EA
HW3021E06	1/8 DIA X 5/8 ROLLPIN (F/S)	1.000 EA
HW4002A02	1-11.5X2LG PIPE NIPPLE (F/S)	1.000 EA
HW5100A03	WAVY WASHER (W1543-017)	1.000 EA
34EP3705A01SP	PU ENDPLATE, MACH	1.000 EA
34FN3002A01SP	EXTERNAL FAN, PLASTIC, .637/.639 HUB W/	1.000 EA
34FH4002A01SP	IEC FH NO GREASER PRIMED	1.000 EA
51XW1032A06	10-32 X .38, TAPTITE II, HEX WSHR SLTD S	3.000 EA
35CB3500A01SP	CONDUIT BOX LID, MACH	1.000 EA
51XN2520A16	SCREW, HEX WS SLT, ZN, 1/4-20 X 1.00	4.000 EA
HW2501D13	KEY, 3/16 SQ X 1.375	1.000 EA
HA7000A04	KEY RETAINER 0.625 DIA SHAFTS	1.000 EA
NP0018W	ALUM UL XP CONDUIT BOX NAMEPLATE	1.000 EA
HW1025A10	#10 BALANCE WASHER (SPL)	2.000 EA

Parts List (continued)		
Part Number	Description	Quantity
MG1025G29	WILKOFAS, 789.229, DARK CHARCOAL GRAY	0.014 GA
85XU0407S04	4X1/4 U DRIVE PIN STAINLESS	6.000 EA
ML14A1B14	14 AWG,A1,BLACK	8.500 IN
ML14A2B14	14 AWG,A2,BLACK	8.500 IN
34RK5004	ROCKERARM ASSY 34PM W/TP1515A01 T'STAT	1.000 EA
HA3104A26	5/16-18 X 8.75 THRU BOLT OHIO	4.000 EA
MN416A01	TAG-INSTAL-MAINT no wire (1200/bx) 5/18	1.000 EA
LB1119N	WARNING LABEL	1.000 EA
LB1161	LABEL,THERMOSTAT (ROLL LABEL)	1.000 EA
LC0194	CONNECTION LABEL	1.000 EA
NP0727XPSL	SS XP DC UL CSA CC CL-I GP-D CL-II GP-F&	1.000 EA
NP0731	NAMEPLATE, CAUTION FOR DC EXPLOSION PROO	1.000 EA
35PA1007	PKG GRP, PRINT PK1034A06	1.000 EA

DC Motor Performance Data

Record # 1431 - Typical performance - not guaranteed values

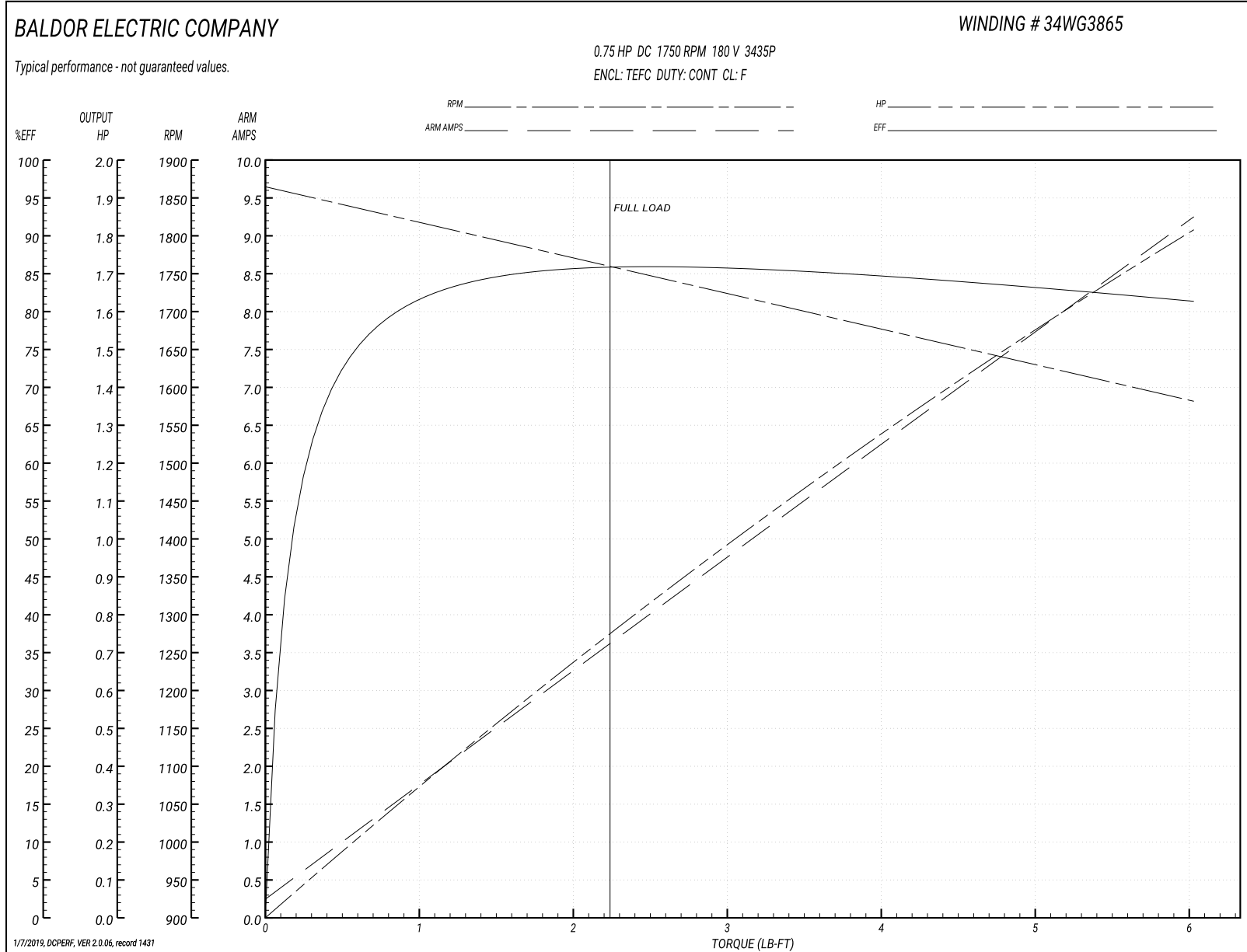
Winding: 34WG3865-R013	Type: 3435P	Enclosure: TEFC
-------------------------------	--------------------	------------------------

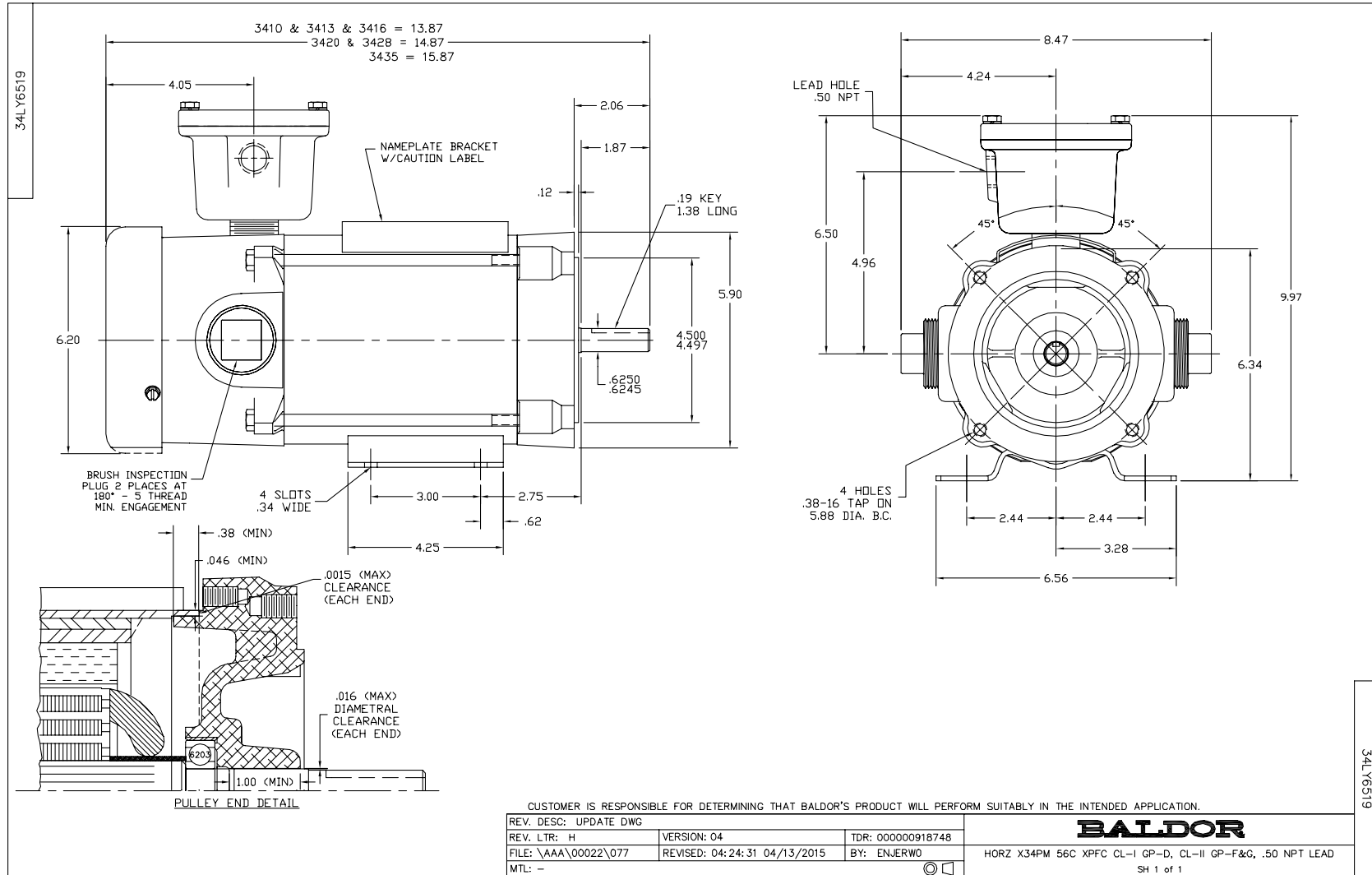
Nameplate Data		General Characteristics	
Rated Output (HP)	0.75	Armature Resistance @ 25°C	1.9971 Ω
R.P.M.	1750		
Armature Volts	180	Voltage Constant	95.09 v/krpm
Armature Amps	3.5		
Field Volts			
Field Amps		Armature Inertia	13.657 LI ²
Rating - Duty	40C AMB-CONT		
Form Factor	1.5		

Load Characteristics at 180 Armature Volts

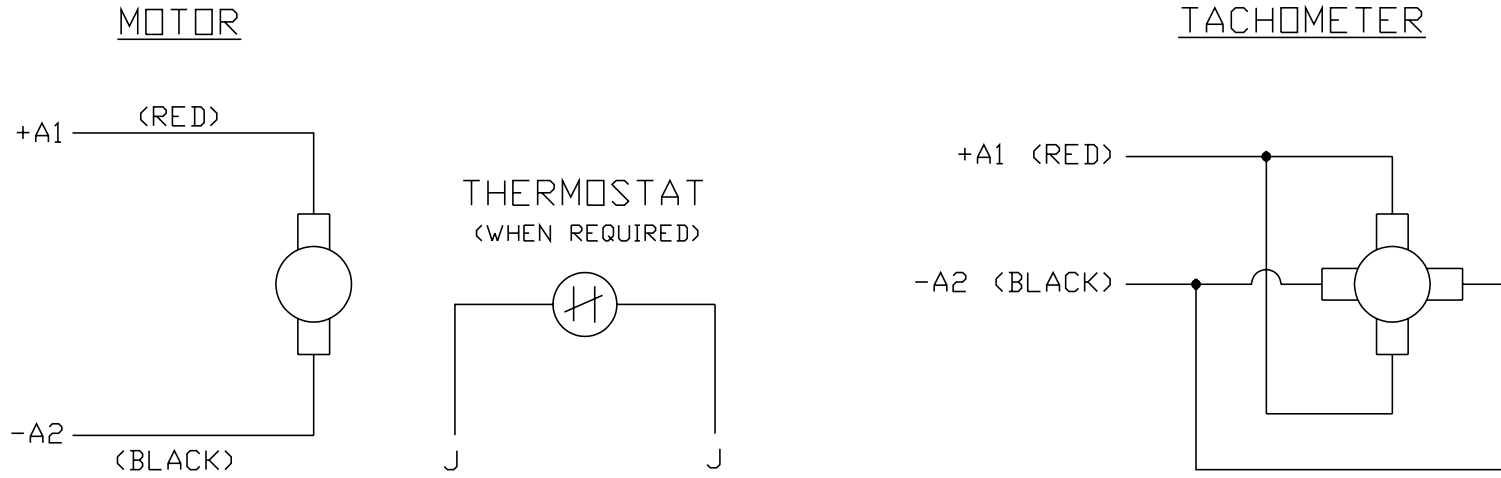
Load Point	1	2	3	4	5	6	7
Armature Amps	0.23	1.41	2.52	3.66	4.83	7.05	9.26
R.P.M.	1870	1829	1794	1755	1720	1643	1590
Torque (LB-FT)	0	0.75	1.51	2.26	3.05	4.55	6.03

Performance Graph at 180.0 Arm V, 0.75HP Typical performance - Not guaranteed values





CD0194



NOTES:

1. CCW ROTATION AS SHOWN FACING COMMUTATOR END. TO REVERSE MOTOR ROTATION OR TACHOMETER OUTPUT POLARITY INTERCHANGE LEADS A1(RED) & A2(BLACK)
2. LEAD COLORS FOR REFERENCE ONLY & NOT SPECIFIED BY THIS DRAWING. LEAD COLORS SPECIFIED BY LAYOUT DRAWING & BILL OF MATERIAL ONLY.

MATL: -			
REV:	E	ADDED NOTE "LEAD COLORS FOR REFERENCE ONLY &..."	
761000		SCALE: -	BY: CK
CD0194		REVISD: 07/28/95	TDR: 0078737
		FILE: AAA00004503	

BALDOR ELECTRIC Co.

CD TYPE P DC PERMANENT MAGNET MOTORS AND TACHOMETERS

CD0194