

BALDOR® • RELIANCE

Product Information Packet

CECG332010-4

CECG332010-4 460VAC, 1HP, 3600RPM

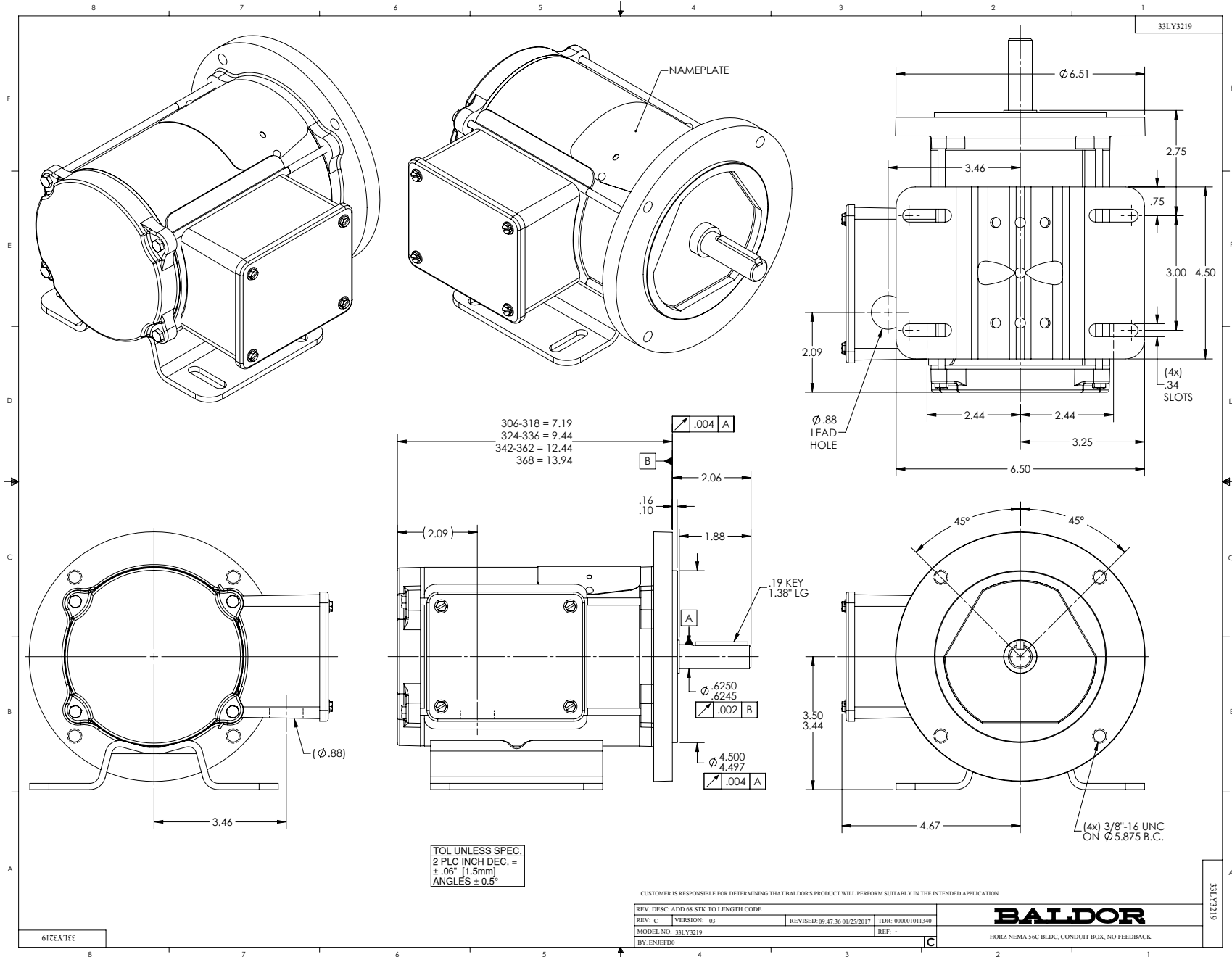
| Specs | | | |
|--------------------------------|------------|--|--|
| Enclosure: | TENV | | |
| Nameplate Speed: | 3600 | | |
| Agency Approvals: | CSA | | |
| | UR | | |
| Base Indicator: | Rigid | | |
| Dimensional Drawing Numbers: | 33LY3219 | | |
| Frame: | 56C | | |
| Frame Material: | Steel | | |
| Motor Lead Quantity/Wire Size: | 3 @ 18 AWG | | |
| Mounting Arrangement: | F1 | | |

| | | | |
|----------------------------------|----------------------------|--|--|
| Nameplate Output: | 1 | | |
| Shaft Rotation: | Reversible | | |
| Motor Standards: | NEMA | | |
| Thermal Device - Winding: | Normally Closed Thermostat | | |

| Nameplate NP3620L | | | |
|-------------------|--------------|--------|------|
| CAT.NO. | CECG332010-4 | | |
| SPEC. | 33-3219T044 | | |
| HP | 1 | RPM | 3600 |
| FRAME | 56C | SER.F. | 1.00 |
| AC VOLTS | 460 | | |
| MOT NOM CURRENT | 1.34 | | |
| MOT NOM FREQ | 240 | | |
| BEMF | 356.40 | | |
| CLASS | F | AMB | 40 |
| DUTY | CONT | ENCL | TENV |
| DE | 6205 | ODE | 6203 |
| SN | | | |
| | | | |
| | | | |

| Parts List | | |
|--------------|--|----------|
| Part Number | Description | Quantity |
| SA334947 | SA 33-3219T044 | 1.000 EA |
| RA323118 | RA 33-3219T044 | 1.000 EA |
| 34CB3001A149 | CONDUIT BOX, MACH FOR 33 FRAME | 1.000 EA |
| 34GS1013SP | GASKET, CONDUIT BOX LEXIDE | 1.000 EA |
| 51XB1016A07 | 10-16 X 7/16 HXWSSLD SERTYB | 2.000 EA |
| 11XW1032G06 | 10-32 X .38, TAPTITE II, HEX WSHR SLTD U | 1.000 EA |
| 33EP2114A13 | FREP 33 BSM (BLDC) 203 BRG, NO FEEDBACK | 1.000 EA |
| HW5100A05 | WVY WSHR F/205 & 304 BRGS | 1.000 EA |
| 33EP2106A01 | BLDC PU ENDPLATE, MACH | 1.000 EA |
| HW2501D13 | KEY, 3/16 SQ X 1.375 | 1.000 EA |
| HA7000A04 | KEY RETAINER 0.625 DIA SHAFTS | 1.000 EA |
| 36CB4516 | 36 LIPPED CB LID - GALVANNEAL | 1.000 EA |
| 37GS1001SP | GASKET, CONDUIT BOX LID, .06 THICK LEXID | 1.000 EA |
| 51XW0832A07 | 8-32 X .44, TAPTITE II, HEX WSHR SLTD SE | 4.000 EA |
| 85XU0407S04 | 4X1/4 U DRIVE PIN STAINLESS | 2.000 EA |
| BG6205E03 | 6205 D.SL,C3,POLYREX EM | 1.000 EA |
| HA3100A11 | THRUBOLT 10-32 X 6.750 | 4.000 EA |
| MG1000Y03 | MUNSELL 2.53Y 6.70/ 4.60, GLOSS 20, | 0.013 GA |
| LB1119N | WARNING LABEL | 1.000 EA |
| NP3620L | ALUM EC GOLD UL CSA CC | 1.000 EA |
| 27PA1001 | PKG GRP, PRINT PK1027A06 | 1.000 EA |
| LB1417 | LABEL CARTON 6X4 PERFORATED BLANK ROLLS | 1.000 EA |

No performance data has been
assigned to this product.



CD1212

MOTOR CONNECTIONS

| FUNCTION | INTERNAL/EXTERNAL MARKINGS |
|------------------|----------------------------|
| GROUND | GREEN/YELLOW |
| U | BLACK OR T1 |
| V | RED OR T2 |
| W | BLUE OR T3 |
| * THERMAL SWITCH | YELLOW OR BLUE |
| * THERMAL SWITCH | YELLOW OR BLUE |
| * BRAKE | BLACK |
| * BRAKE | BLACK |

* WHEN REQUIRED

CD1212

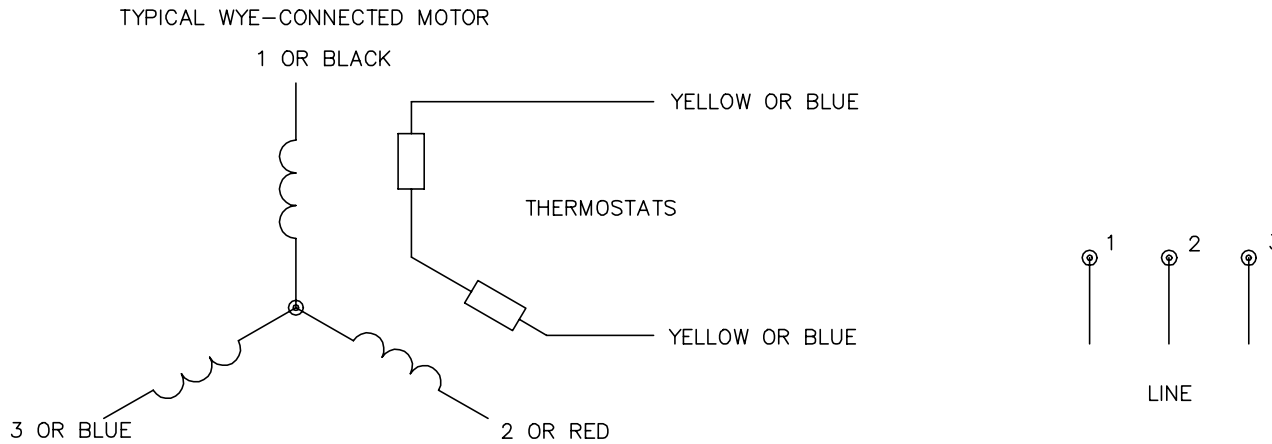
| | | |
|--|------------------------------|-------------------|
| REV. DESC: REMOVE "BSM90 & 100" FROM DESCRIPTION | | |
| REV. LTR: C | VERSION: 02 | TDR: 000001064992 |
| FILE: \AAA\00043\247 | REVISED: 01:04:07 03/20/2018 | BY: ENJFDO |
| MTL: - | © □ | |

BALDOR - RELIANCE

WIRING DIAG - POWER LEADS ONLY, FOR MOTORS WITH FLYING LEADS

SH 1 of 1

CD0006A02



NOTES:

1. INTERCHANGE ANY TWO LINE LEADS TO REVERSE ROTATION.
2. ACTUAL NUMBER OF INTERNAL PARALLEL CIRCUITS MAY VARY.

| | | | |
|---|----------------------|------------------------------|--|
| REV. DESC: REMOVED "OPTIONAL" FROM PRINT, SERVO REQ'S T'STATS | | | |
| REV. LTR: D | VERSION: 03 | TDR: 000000414937 | |
| Z0V9000003 CD0006A02 | FILE: \AAA\00068\606 | REVISED: 10:02:28 11/21/2006 | |
| | MTL: - | BY: ENJFD0 | |

BALDOR ELECTRIC Co.

3PH, SV, 3 LEADS, WYE CONNECTED

CD0006A02