

BALDOR® • RELIANCE

Product Information Packet

CECG334010T

CECG334010T 230VAC, 1HP, 1800RPM

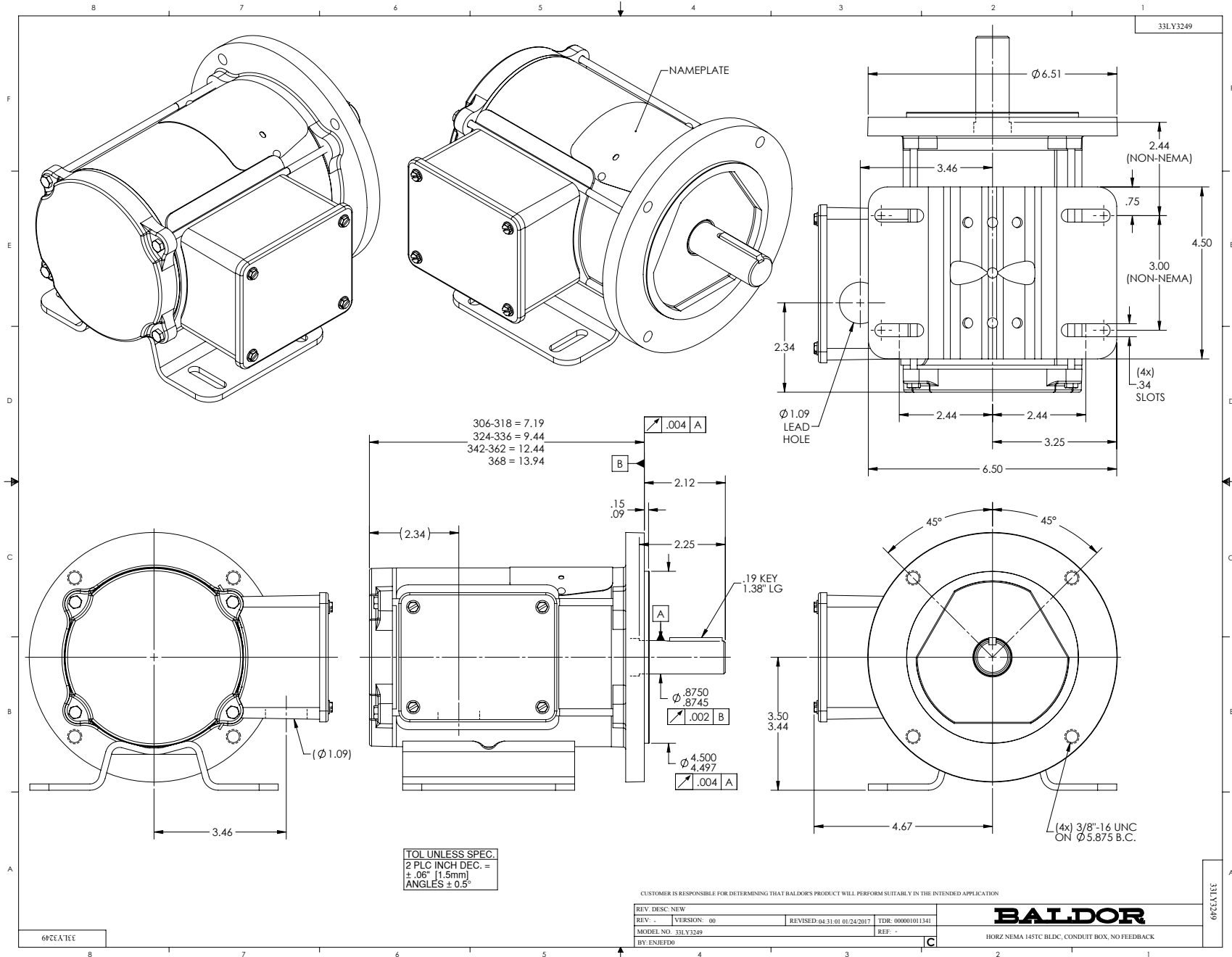
Specs			
Enclosure:	TENV		
Nameplate Speed:	1800		
Agency Approvals:	CSA		
	UR		
Base Indicator:	Rigid		
Dimensional Drawing Numbers:	33LY3249		
Frame:	145TC		
Frame Material:	Steel		
Motor Lead Quantity/Wire Size:	3 @ 14 AWG		
Mounting Arrangement:	F1		

Nameplate Output:	1.000		
Shaft Rotation:	Reversible		
Motor Standards:	NEMA		
Thermal Device - Winding:	Normally Closed Thermostat		

Nameplate NP3620L			
CAT.NO.	CECG334010T		
SPEC.	33-3249T033		
HP	1.000	RPM	1800
FRAME	145TC	SER.F.	1.00
AC VOLTS	230		
MOT NOM CURRENT	2.66		
MOT NOM FREQ	120		
BEMF	179.748		
CLASS	F	AMB	40
DUTY	CONT	ENCL	TENV
DE	6205	ODE	6203
SN			

Parts List		
Part Number	Description	Quantity
SA334946	SA 33-3249T033	1.000 EA
RA323117	RA 33-3249T033	1.000 EA
34CB3001A152	CONDUIT BOX, MACH FOR 33 FRAME - 1.09"	1.000 EA
34GS1013SP	GASKET, CONDUIT BOX LEXIDE	1.000 EA
51XB1016A07	10-16 X 7/16 HXWSSLD SERTYB	2.000 EA
11XW1032G06	10-32 X .38, TAPTITE II, HEX WSHR SLTD U	1.000 EA
HW3001B02	BRASS CUP WASHER W/GROUND SYMBOL TAB,	1.000 EA
33EP2114A13	FREP 33 BSM (BLDC) 203 BRG, NO FEEDBACK	1.000 EA
HW5100A05	WVY WSHR F/205 & 304 BRGS	1.000 EA
33EP2106A03	BLDC PU ENDPLATE NEMA 143-145TC	1.000 EA
HW2501D13	KEY, 3/16 SQ X 1.375	1.000 EA
HA7000A01	KEY RETAINER 7/8" DIA SHAFT	1.000 EA
36CB4516	36 LIPPED CB LID - GALVANNEAL	1.000 EA
37GS1001SP	GASKET, CONDUIT BOX LID, .06 THICK LEXID	1.000 EA
51XW0832A07	8-32 X .44, TAPTITE II, HEX WSHR SLTD SE	4.000 EA
85XU0407S04	4X1/4 U DRIVE PIN STAINLESS	2.000 EA
BG6205E03	6205 D.SL,C3,POLYREX EM	1.000 EA
HA3100A11	THRUBOLT 10-32 X 6.750	4.000 EA
MG1000Y03	MUNSELL 2.53Y 6.70/ 4.60, GLOSS 20,	0.013 GA
LB1119N	WARNING LABEL	1.000 EA
NP3620L	ALUM EC GOLD UL CSA CC	1.000 EA
27PA1001	PKG GRP, PRINT PK1027A06	1.000 EA
LB1417	LABEL CARTON 6X4 PERFORATED BLANK ROLLS	1.000 EA

No performance data has been
assigned to this product.



CD1212

MOTOR CONNECTIONS

FUNCTION	INTERNAL/EXTERNAL MARKINGS
GROUND	GREEN/YELLOW
U	BLACK OR T1
V	RED OR T2
W	BLUE OR T3
* THERMAL SWITCH	YELLOW OR BLUE
* THERMAL SWITCH	YELLOW OR BLUE
* BRAKE	BLACK
* BRAKE	BLACK

* WHEN REQUIRED

CD1212

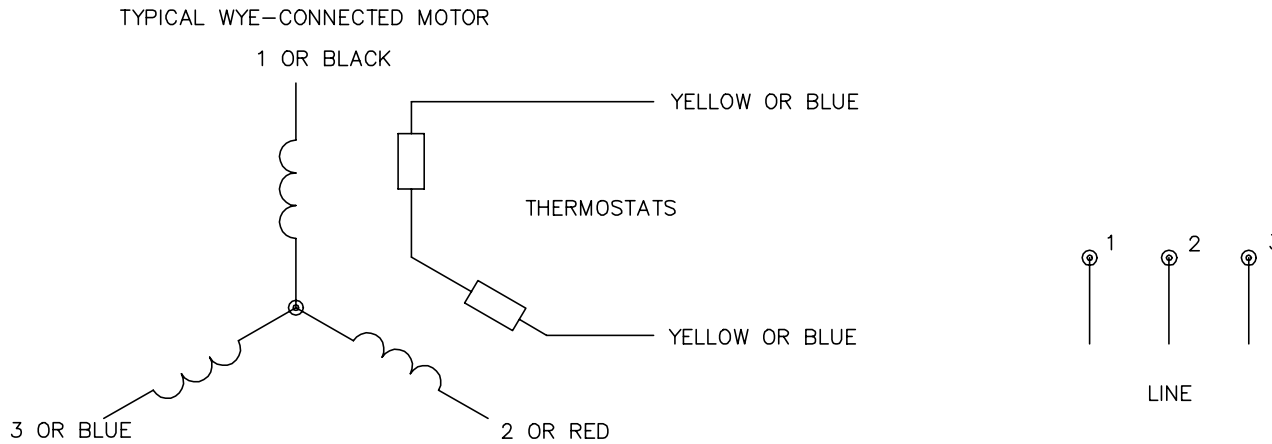
REV. DESC: REMOVE "BSM90 & 100" FROM DESCRIPTION		
REV. LTR: C	VERSION: 02	TDR: 000001064992
FILE: \AAA\00043\247	REVISED: 01:04:07 03/20/2018	BY: ENJFDO
MTL: -	© □	

BALDOR - RELIANCE

WIRING DIAG - POWER LEADS ONLY, FOR MOTORS WITH FLYING LEADS

SH 1 of 1

CD0006A02



NOTES:

1. INTERCHANGE ANY TWO LINE LEADS TO REVERSE ROTATION.
2. ACTUAL NUMBER OF INTERNAL PARALLEL CIRCUITS MAY VARY.

REV. DESC: REMOVED "OPTIONAL" FROM PRINT, SERVO REQ'S T'STATS			
REV. LTR: D	VERSION: 03	TDR: 000000414937	
Z0V900000 CD0006A02	FILE: \AAA\00068\606	REVISED: 10:02:28 11/21/2006	
	MTL: -	BY: ENJFDO	

BALDOR ELECTRIC Co.

3PH, SV, 3 LEADS, WYE CONNECTED

CD0006A02