

# BALDOR® • RELIANCE

## Product Information Packet

# CECG338005-4

CECG338005-4 460VAC, 1/2HP, 900RPM

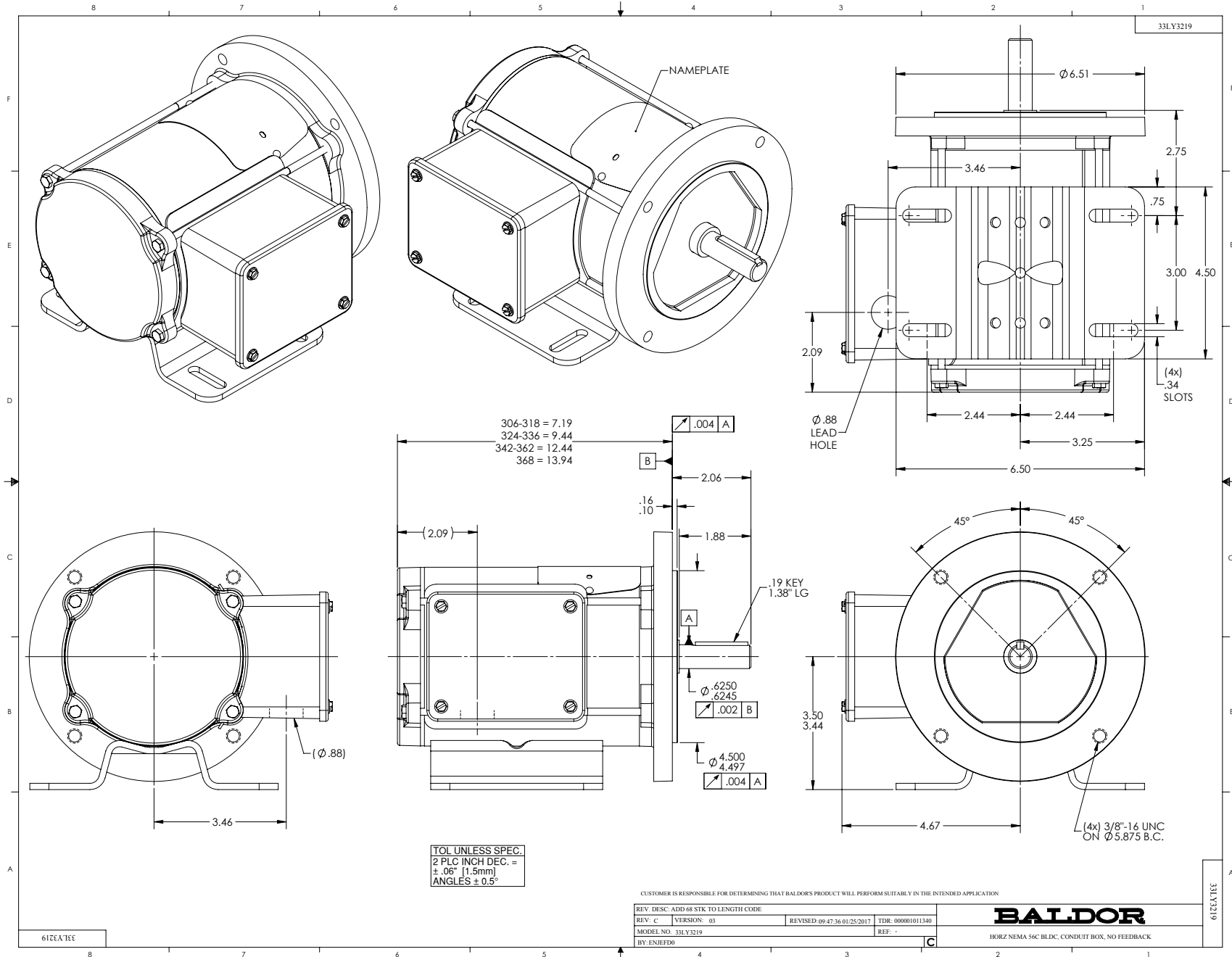
| Specs                          |            |  |  |
|--------------------------------|------------|--|--|
| Enclosure:                     | TENV       |  |  |
| Nameplate Speed:               | 900        |  |  |
| Agency Approvals:              | CSA        |  |  |
|                                | UR         |  |  |
| Base Indicator:                | Rigid      |  |  |
| Dimensional Drawing Numbers:   | 33LY3219   |  |  |
| Frame:                         | 56C        |  |  |
| Frame Material:                | Steel      |  |  |
| Motor Lead Quantity/Wire Size: | 3 @ 18 AWG |  |  |
| Mounting Arrangement:          | F1         |  |  |

|                                  |                            |  |  |
|----------------------------------|----------------------------|--|--|
| <b>Nameplate Output:</b>         | 0.5                        |  |  |
| <b>Shaft Rotation:</b>           | Reversible                 |  |  |
| <b>Motor Standards:</b>          | NEMA                       |  |  |
| <b>Thermal Device - Winding:</b> | Normally Closed Thermostat |  |  |

| Nameplate NP3620L |              |        |      |
|-------------------|--------------|--------|------|
| CAT.NO.           | CECG338005-4 |        |      |
| SPEC.             | 33-3219T043  |        |      |
| HP                | 0.5          | RPM    | 900  |
| FRAME             | 56C          | SER.F. | 1.00 |
| AC VOLTS          | 460          |        |      |
| MOT NOM CURRENT   | .77          |        |      |
| MOT NOM FREQ      | 60           |        |      |
| BEMF              | 312.66       |        |      |
| CLASS             | F            | AMB    | 40   |
| DUTY              | CONT         | ENCL   | TENV |
| DE                | 6205         | ODE    | 6203 |
| SN                |              |        |      |
|                   |              |        |      |
|                   |              |        |      |

| Parts List   |  |          |
|--------------|--|----------|
| Part Number  | Description                              | Quantity |
| SA334942     | SA 33-3219T043                           | 1.000 EA |
| RA323113     | RA 33-3219T043                           | 1.000 EA |
| 34CB3001A149 | CONDUIT BOX, MACH FOR 33 FRAME           | 1.000 EA |
| 34GS1013SP   | GASKET, CONDUIT BOX LEXIDE               | 1.000 EA |
| 51XB1016A07  | 10-16 X 7/16 HXWSSLD SERTYB              | 2.000 EA |
| 11XW1032G06  | 10-32 X .38, TAPTITE II, HEX WSHR SLTD U | 1.000 EA |
| 33EP2114A13  | FREP 33 BSM (BLDC) 203 BRG, NO FEEDBACK  | 1.000 EA |
| HW5100A05    | WVY WSHR F/205 & 304 BRGS                | 1.000 EA |
| 33EP2106A01  | BLDC PU ENDPLATE, MACH                   | 1.000 EA |
| HW2501D13    | KEY, 3/16 SQ X 1.375                     | 1.000 EA |
| HA7000A04    | KEY RETAINER 0.625 DIA SHAFTS            | 1.000 EA |
| 36CB4516     | 36 LIPPED CB LID - GALVANNEAL            | 1.000 EA |
| 37GS1001SP   | GASKET, CONDUIT BOX LID, .06 THICK LEXID | 1.000 EA |
| 51XW0832A07  | 8-32 X .44, TAPTITE II, HEX WSHR SLTD SE | 4.000 EA |
| 85XU0407S04  | 4X1/4 U DRIVE PIN STAINLESS              | 2.000 EA |
| BG6205E03    | 6205 D.SL,C3,POLYREX EM                  | 1.000 EA |
| HA3100A17    | THRUBOLT 10-32 X 9.000                   | 4.000 EA |
| MG1000Y03    | MUNSELL 2.53Y 6.70/ 4.60, GLOSS 20,      | 0.013 GA |
| LB1119N      | WARNING LABEL                            | 1.000 EA |
| NP3620L      | ALUM EC GOLD UL CSA CC                   | 1.000 EA |
| 27PA1001     | PKG GRP, PRINT PK1027A06                 | 1.000 EA |
| LB1417       | LABEL CARTON 6X4 PERFORATED BLANK ROLLS  | 1.000 EA |

No performance data has been  
assigned to this product.



CD1212

MOTOR CONNECTIONS

| FUNCTION         | INTERNAL/EXTERNAL MARKINGS |
|------------------|----------------------------|
| GROUND           | GREEN/YELLOW               |
| U                | BLACK OR T1                |
| V                | RED OR T2                  |
| W                | BLUE OR T3                 |
| * THERMAL SWITCH | YELLOW OR BLUE             |
| * THERMAL SWITCH | YELLOW OR BLUE             |
| * BRAKE          | BLACK                      |
| * BRAKE          | BLACK                      |

\* WHEN REQUIRED

CD1212

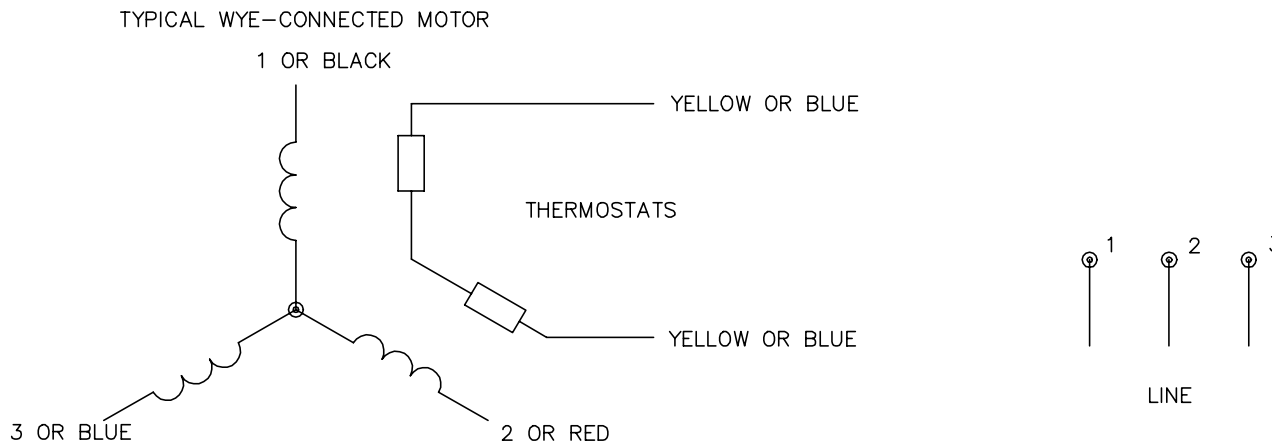
|  |                              |                   |
|--|------------------------------|-------------------|
| REV. DESC: REMOVE "BSM90 & 100" FROM DESCRIPTION |                              |                   |
| REV. LTR: C                                      | VERSION: 02                  | TDR: 000001064992 |
| FILE: \AAA\00043\247                             | REVISED: 01:04:07 03/20/2018 | BY: ENJFDO        |
| MTL: -   | © □                          |                   |

**BALDOR - RELIANCE**

WIRING DIAG - POWER LEADS ONLY, FOR MOTORS WITH FLYING LEADS

SH 1 of 1

CD0006A02



NOTES:

1. INTERCHANGE ANY TWO LINE LEADS TO REVERSE ROTATION.
2. ACTUAL NUMBER OF INTERNAL PARALLEL CIRCUITS MAY VARY.

|   |                      |                              |  |
|---|----------------------|------------------------------|--|
| REV. DESC: REMOVED "OPTIONAL" FROM PRINT, SERVO REQ'S T'STATS |                      |                              |  |
| REV. LTR: D   | VERSION: 03          | TDR: 000000414937            |  |
| Z0V900000<br>CD0006A02  | FILE: \AAA\00068\606 | REVISED: 10:02:28 11/21/2006 |  |
|   | MTL: -               | BY: ENJFDO                   |  |

**BALDOR ELECTRIC Co.**

3PH, SV, 3 LEADS, WYE CONNECTED

CD0006A02