

# BALDOR • RELIANCE

## Product Information Packet

# CECG354050T-4

CECG354050T-4 460VAC, 5HP, 1800RPM

Specs			
Enclosure:	TENV		
Nameplate Speed:	1800		
Agency Approvals:	CSA		
	UR		
Base Indicator:	Rigid		
Dimensional Drawing Numbers:	35LYP1160		
Frame:	184TC		
Frame Material:	Steel		
Motor Lead Quantity/Wire Size:	3 @ 14 AWG		
Mounting Arrangement:	F1		

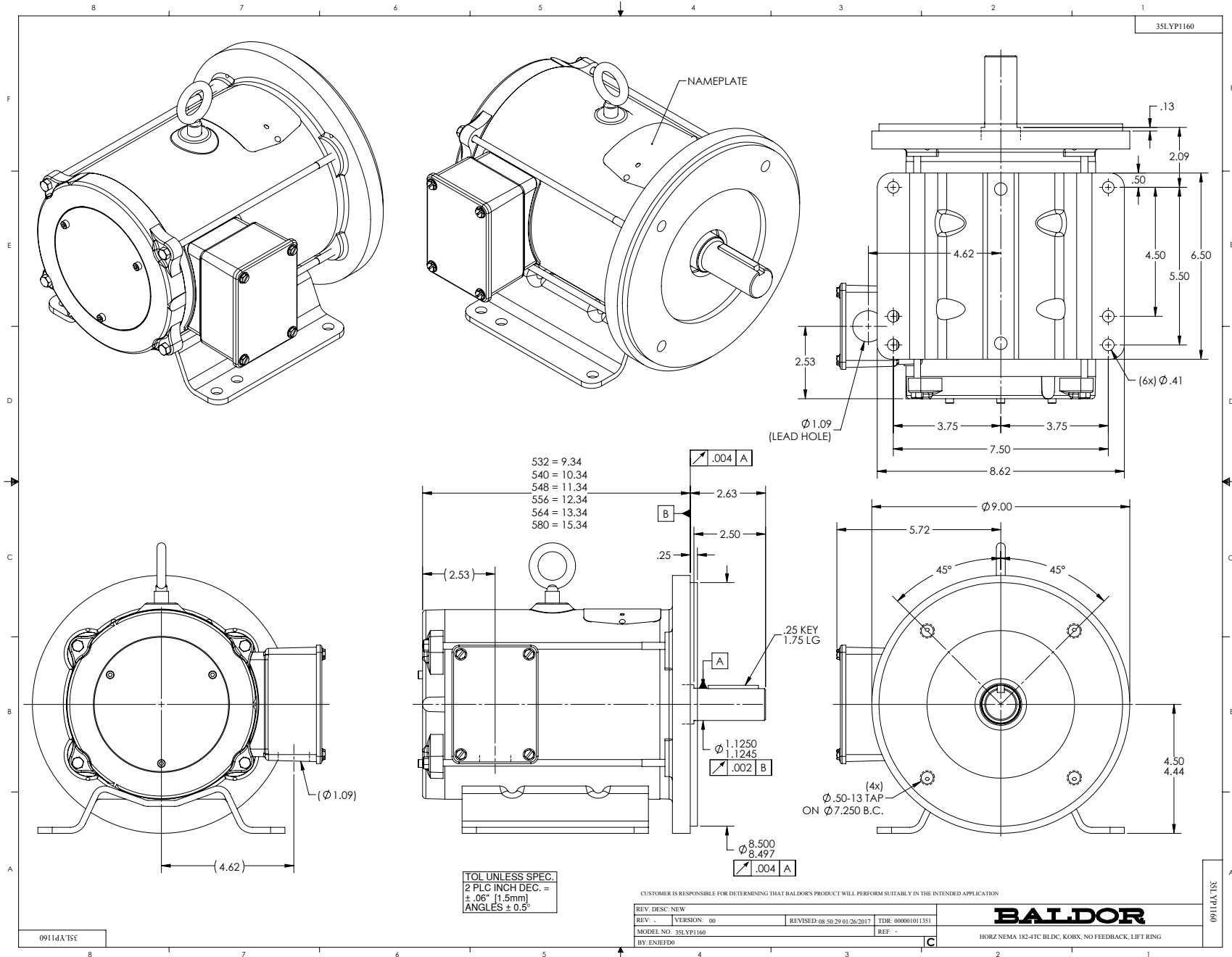
<b>Nameplate Output:</b>	5		
<b>Shaft Rotation:</b>	Reversible		
<b>Motor Standards:</b>	NEMA		
<b>Thermal Device - Winding:</b>	Normally Closed Thermostat		

Nameplate NP3620L			
CAT.NO.	CECG354050T-4		
SPEC.	35P1160L862		
HP	5	RPM	1800
FRAME	184TC	SER.F.	1.00
AC VOLTS	460		
MOT NOM CURRENT	7.83		
MOT NOM FREQ	120		
BEMF	343.764		
CLASS	F	AMB	40
DUTY	CONT	ENCL	TENV
DE	6207	ODE	6205
SN			

Parts List		
Part Number	Description	Quantity
SA350569	SA 35P1160L862	1.000 EA
RA339226	RA 35P1160L862	1.000 EA
HW3200A01	3/8-16X3/4 I-BLT WELDED F/S	1.000 EA
35CB3009	35 CB W/1.09 DIA. LEAD HOLE @ 6:	1.000 EA
36GS1000SP	GASKET-CONDUIT BOX, .06 THICK #SV-330 LE	1.000 EA
51XB1016A07	10-16 X 7/16 HXWSSLD SERTYB	2.000 EA
11XW1032G06	10-32 X .38, TAPTITE II, HEX WSHR SLTD U	1.000 EA
35EP2108A16	BLDC FREP, NO FEEDBACK, 33CB4507 MTG	1.000 EA
33CB4507	COVER- 33 TACH. ADAP(CLOWTDR 10478 ORDER	1.000 EA
84YN0040J010	4MM X 10MM SHCS	3.000 EA
HW1021A04	WASHER, M4 SPLIT LOCK	3.000 EA
HW5100A07	W2816-030 WVY WASHER (WB)	3.000 EA
RB4000A07	205 BRG. RETAINER MACH. 3 SCREWS	1.000 EA
51XN1032A20	10-32 X 1 1/4 HX WS SL SR	2.000 EA
35EP2110A02	BSM6 PUEP NEMA 182-4TC	1.000 EA
HW2501E16	KEY, 1/4 SQ X 1.750	1.000 EA
HA7000A02	KEY RETAINER RING, 1 1/8 DIA, 1 3/8 DIA	1.000 EA
35CB4521	35 LIPPED CB LID (GALV & PHOSPH)	1.000 EA
35GS1030	35 GS FOR CB LID - LEXIDE	1.000 EA
51XW0832A07	8-32 X .44, TAPTITE II, HEX WSHR SLTD SE	4.000 EA
85XU0407S04	4X1/4 U DRIVE PIN STAINLESS	2.000 EA
BG6207E03	6207 D.SL,C3,POLYREX EM	1.000 EA
HA3101A41	THRUBOLT- 1/4-20 X 14.687	4.000 EA
MG1000Y03	MUNSELL 2.53Y 6.70/ 4.60, GLOSS 20,	0.018 GA

<b>Parts List (continued)</b>		
<b>Part Number</b>	<b>Description</b>	<b>Quantity</b>
LB1119N	WARNING LABEL	1.000 EA
NP3620L	ALUM EC GOLD UL CSA CC	1.000 EA
LB1115N	LABEL,LIFTING DEVICE (ON ROLLS)	1.000 EA
35PA1007	PKG GRP, PRINT PK1034A06	1.000 EA
PK3083T	STYROFOAM PACKING CRADLE	1.000 EA
LB1417	LABEL CARTON 6X4 PERFORATED BLANK ROLLS	1.000 EA
PK3088	MICROFOAM, 8"X"8 PERF. SHEETS 5,400/RL	1.000 EA

No performance data has been  
assigned to this product.



0911dA 15E

CUSTOMER IS RESPONSIBLE FOR DETERMINING THAT BALDOR'S PRODUCT WILL PERFORM SUITABLY IN THE INTENDED APPLICATION

REV. DESC: NEW	VERSION: 00	REVISED: 08-50-29 01/26/2017	TDR: 00000101351
MODEL NO. 35LYP160	BY: ENJEFD0	REF: -	

**BALDOR**

HORZ NEMA 182-4TC BLDG, KORB, NO FEEDBACK, LIFT RING

0911dA 15E

CD1212

MOTOR CONNECTIONS

FUNCTION	INTERNAL/EXTERNAL MARKINGS
GROUND	GREEN/YELLOW
U	BLACK OR T1
V	RED OR T2
W	BLUE OR T3
* THERMAL SWITCH	YELLOW OR BLUE
* THERMAL SWITCH	YELLOW OR BLUE
* BRAKE	BLACK
* BRAKE	BLACK

\* WHEN REQUIRED

CD1212

REV. DESC: REMOVE "BSM90 & 100" FROM DESCRIPTION		
REV. LTR: C	VERSION: 02	TDR: 000001064992
FILE: \AAA\00043\247	REVISED: 01:04:07 03/20/2018	BY: ENJFDO
MTL: -	© □	

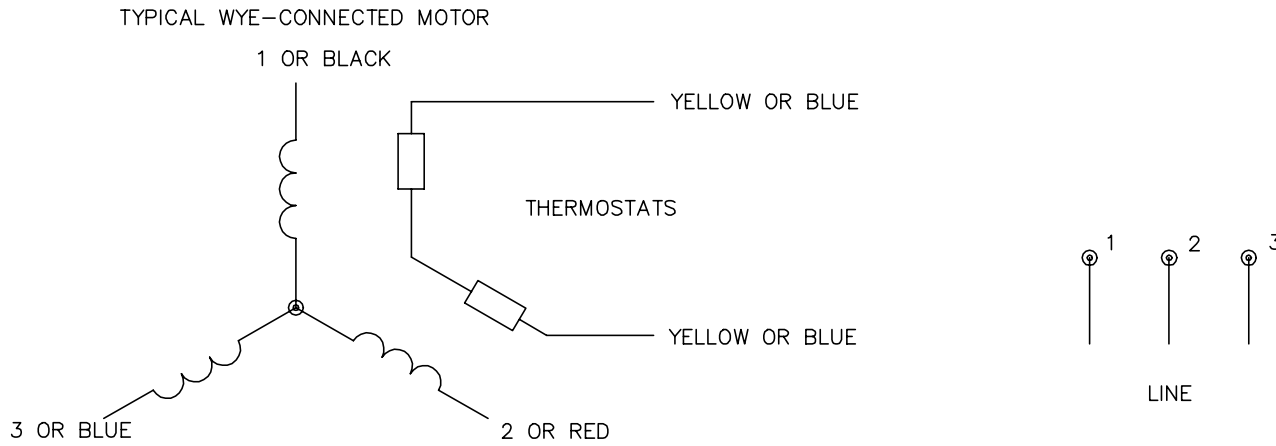
**BALDOR - RELIANCE**

WIRING DIAG - POWER LEADS ONLY, FOR MOTORS WITH FLYING LEADS

SH 1 of 1



CD0006A02



NOTES:

1. INTERCHANGE ANY TWO LINE LEADS TO REVERSE ROTATION.
2. ACTUAL NUMBER OF INTERNAL PARALLEL CIRCUITS MAY VARY.

REV. DESC: REMOVED "OPTIONAL" FROM PRINT, SERVO REQ'S T'STATS			
REV. LTR: D	VERSION: 03	TDR: 000000414937	
Z0V9000003 CD0006A02	FILE: \AAA\00068\606	REVISED: 10:02:28 11/21/2006	
	MTL: -	BY: ENJFDO	

**BALDOR ELECTRIC Co.**

3PH, SV, 3 LEADS, WYE CONNECTED

CD0006A02