

BALDOR® • RELIANCE

Product Information Packet

CECG358020T

CECG358020T 230VAC, 2HP, 900RPM

| Specs | | | |
|--------------------------------|------------|--|--|
| Enclosure: | TENV | | |
| Nameplate Speed: | 900 | | |
| Agency Approvals: | CSA | | |
| | UR | | |
| Base Indicator: | Rigid | | |
| Dimensional Drawing Numbers: | 35LYP1161 | | |
| Frame: | 145TC | | |
| Frame Material: | Steel | | |
| Motor Lead Quantity/Wire Size: | 3 @ 16 AWG | | |
| Mounting Arrangement: | F1 | | |

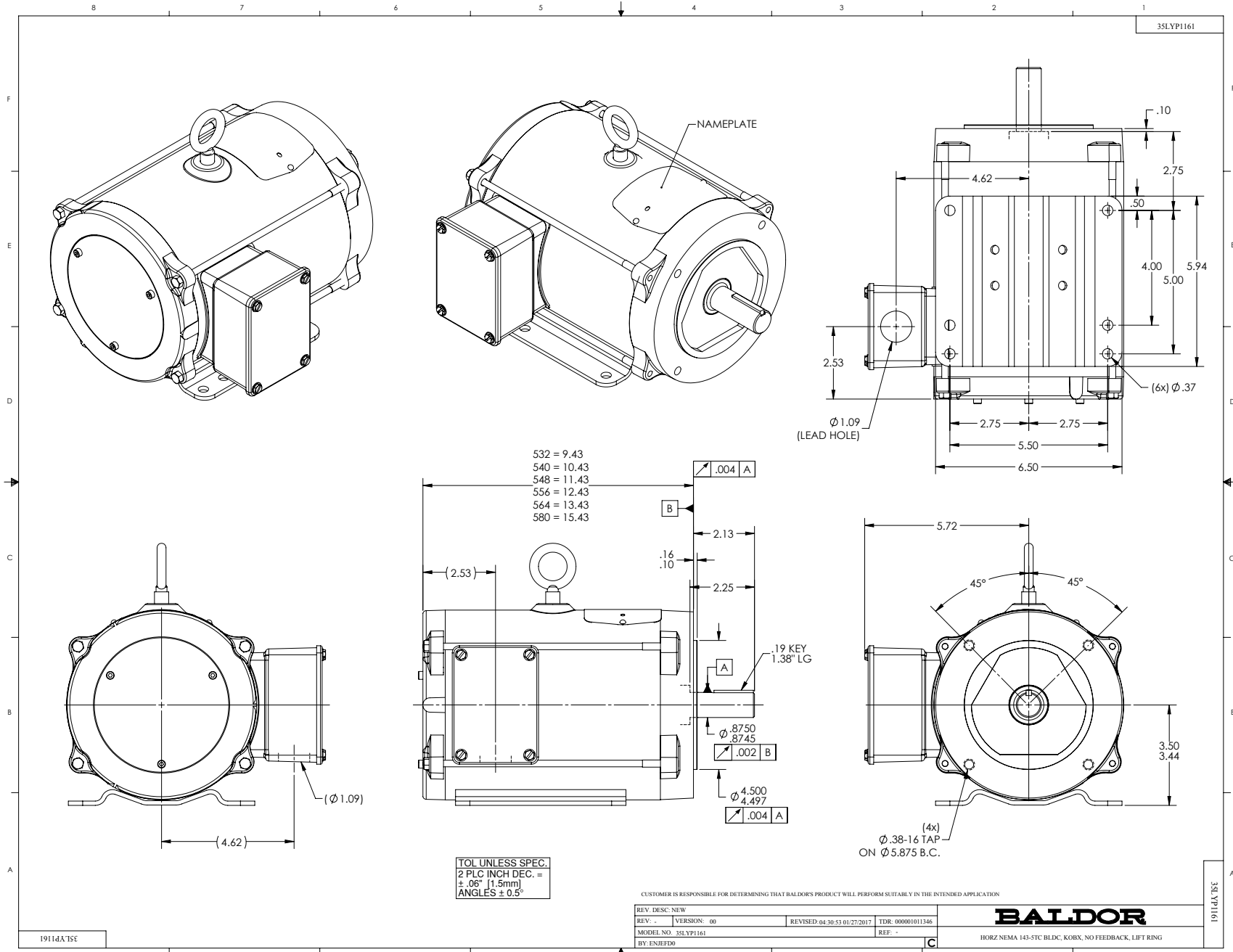
| | | | |
|----------------------------------|----------------------------|--|--|
| Nameplate Output: | 2 | | |
| Shaft Rotation: | Reversible | | |
| Motor Standards: | NEMA | | |
| Thermal Device - Winding: | Normally Closed Thermostat | | |

| Nameplate NP3620L | | | |
|-------------------|-------------|--------|------|
| CAT.NO. | CECG358020T | | |
| SPEC. | 35P1161L686 | | |
| HP | 2 | RPM | 900 |
| FRAME | 145TC | SER.F. | 1.00 |
| AC VOLTS | 230 | | |
| MOT NOM CURRENT | 6.24 | | |
| MOT NOM FREQ | 60 | | |
| BEMF | 172.53 | | |
| CLASS | F | AMB | 40 |
| DUTY | CONT | ENCL | TENV |
| DE | 6207 | ODE | 6205 |
| SN | | | |
| | | | |
| | | | |

| Parts List | | |
|--------------|--|----------|
| Part Number | Description | Quantity |
| SA333330 | SA 35P1161L686 | 1.000 EA |
| RA321453 | RA 35P1161L686 | 1.000 EA |
| HW3200A01 | 3/8-16X3/4 I-BLT WELDED F/S | 1.000 EA |
| 35CB3009 | 35 CB W/1.09 DIA. LEAD HOLE @ 6: | 1.000 EA |
| 36GS1000SP | GASKET-CONDUIT BOX, .06 THICK #SV-330 LE | 1.000 EA |
| 51XB1016A07 | 10-16 X 7/16 HXWSSLD SERTYB | 2.000 EA |
| 11XW1032G06 | 10-32 X .38, TAPTITE II, HEX WSHR SLTD U | 1.000 EA |
| 35EP2108A16 | BLDC FREP, NO FEEDBACK, 33CB4507 MTG | 1.000 EA |
| 33CB4507 | COVER- 33 TACH. ADAP(CLOWTDR 10478 ORDER | 1.000 EA |
| 84YN0040J010 | 4MM X 10MM SHCS | 3.000 EA |
| HW1021A04 | WASHER, M4 SPLIT LOCK | 3.000 EA |
| HW5100A07 | W2816-030 WVY WASHER (WB) | 3.000 EA |
| 51XN1032A20 | 10-32 X 1 1/4 HX WS SL SR | 2.000 EA |
| 35EP2105A01 | PU ENDPLATE MACH BLDC | 1.000 EA |
| HW2501D13 | KEY, 3/16 SQ X 1.375 | 1.000 EA |
| HA7000A01 | KEY RETAINER 7/8" DIA SHAFT | 1.000 EA |
| 35CB4521 | 35 LIPPED CB LID (GALV & PHOSPH) | 1.000 EA |
| 35GS1030 | 35 GS FOR CB LID - LEXIDE | 1.000 EA |
| 51XW0832A07 | 8-32 X .44, TAPTITE II, HEX WSHR SLTD SE | 4.000 EA |
| 85XU0407S04 | 4X1/4 U DRIVE PIN STAINLESS | 2.000 EA |
| HA3101A58 | THRUBOLT 1/4-20 X 12.875 TDR #45540 | 4.000 EA |
| MG1000Y03 | MUNSELL 2.53Y 6.70/ 4.60, GLOSS 20, | 0.018 GA |
| LB1119N | WARNING LABEL | 1.000 EA |
| NP3620L | ALUM EC GOLD UL CSA CC | 1.000 EA |

| Parts List (continued) | | |
|-------------------------------|---|-----------------|
| Part Number | Description | Quantity |
| LB1115N | LABEL,LIFTING DEVICE (ON ROLLS) | 1.000 EA |
| 35PA1007 | PKG GRP, PRINT PK1034A06 | 1.000 EA |
| PK3083T | STYROFOAM PACKING CRADLE | 1.000 EA |
| LB1417 | LABEL CARTON 6X4 PERFORATED BLANK ROLLS | 1.000 EA |
| PK3088 | MICROFOAM, 8"X"8 PERF. SHEETS 5,400/RL | 1.000 EA |

No performance data has been
assigned to this product.



CD1212

MOTOR CONNECTIONS

| FUNCTION | INTERNAL/EXTERNAL MARKINGS |
|------------------|----------------------------|
| GROUND | GREEN/YELLOW |
| U | BLACK OR T1 |
| V | RED OR T2 |
| W | BLUE OR T3 |
| * THERMAL SWITCH | YELLOW OR BLUE |
| * THERMAL SWITCH | YELLOW OR BLUE |
| * BRAKE | BLACK |
| * BRAKE | BLACK |

* WHEN REQUIRED

CD1212

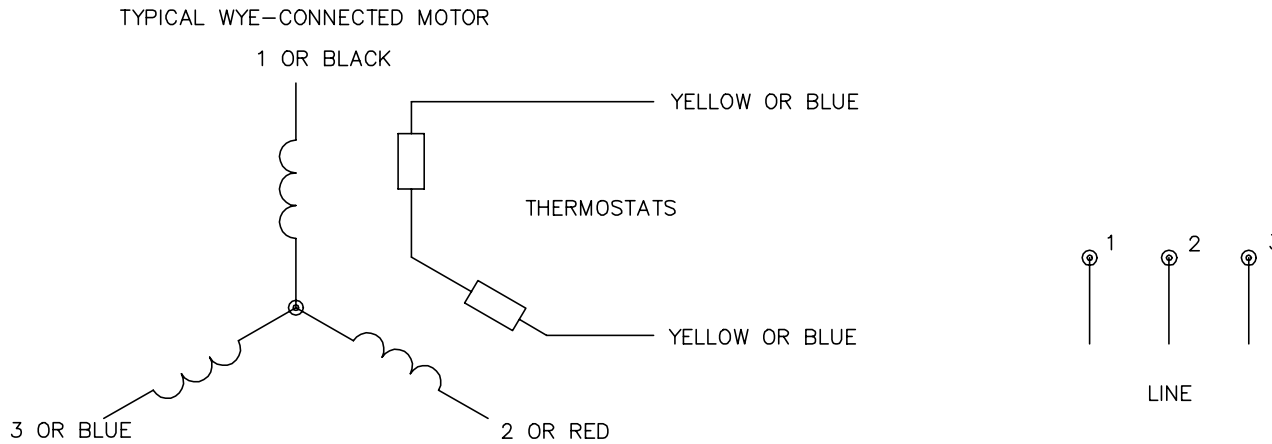
| | | |
|--|------------------------------|-------------------|
| REV. DESC: REMOVE "BSM90 & 100" FROM DESCRIPTION | | |
| REV. LTR: C | VERSION: 02 | TDR: 000001064992 |
| FILE: \AAA\00043\247 | REVISED: 01:04:07 03/20/2018 | BY: ENJFDO |
| MTL: - | © □ | |

BALDOR - RELIANCE

WIRING DIAG - POWER LEADS ONLY, FOR MOTORS WITH FLYING LEADS

SH 1 of 1

CD0006A02



NOTES:

1. INTERCHANGE ANY TWO LINE LEADS TO REVERSE ROTATION.
2. ACTUAL NUMBER OF INTERNAL PARALLEL CIRCUITS MAY VARY.

| | | | |
|---|----------------------|------------------------------|--|
| REV. DESC: REMOVED "OPTIONAL" FROM PRINT, SERVO REQ'S T'STATS | | | |
| REV. LTR: D | VERSION: 03 | TDR: 000000414937 | |
| CD0006A02 | FILE: \AAA\00068\606 | REVISED: 10:02:28 11/21/2006 | |
| | MTL: - | BY: ENJFDO | |

BALDOR ELECTRIC Co.

3PH, SV, 3 LEADS, WYE CONNECTED

CD0006A02