

# BALDOR® • RELIANCE

## Product Information Packet

# CECG358030T-4

CECG358030T-4 460VAC, 3HP, 900RPM

| Specs                          |            |  |  |
|--------------------------------|------------|--|--|
| Enclosure:                     | TENV       |  |  |
| Nameplate Speed:               | 900        |  |  |
| Agency Approvals:              | CSA        |  |  |
|                                | UR         |  |  |
| Base Indicator:                | Rigid      |  |  |
| Dimensional Drawing Numbers:   | 35LYP1160  |  |  |
| Frame:                         | 182TC      |  |  |
| Frame Material:                | Steel      |  |  |
| Motor Lead Quantity/Wire Size: | 3 @ 14 AWG |  |  |
| Mounting Arrangement:          | F1         |  |  |

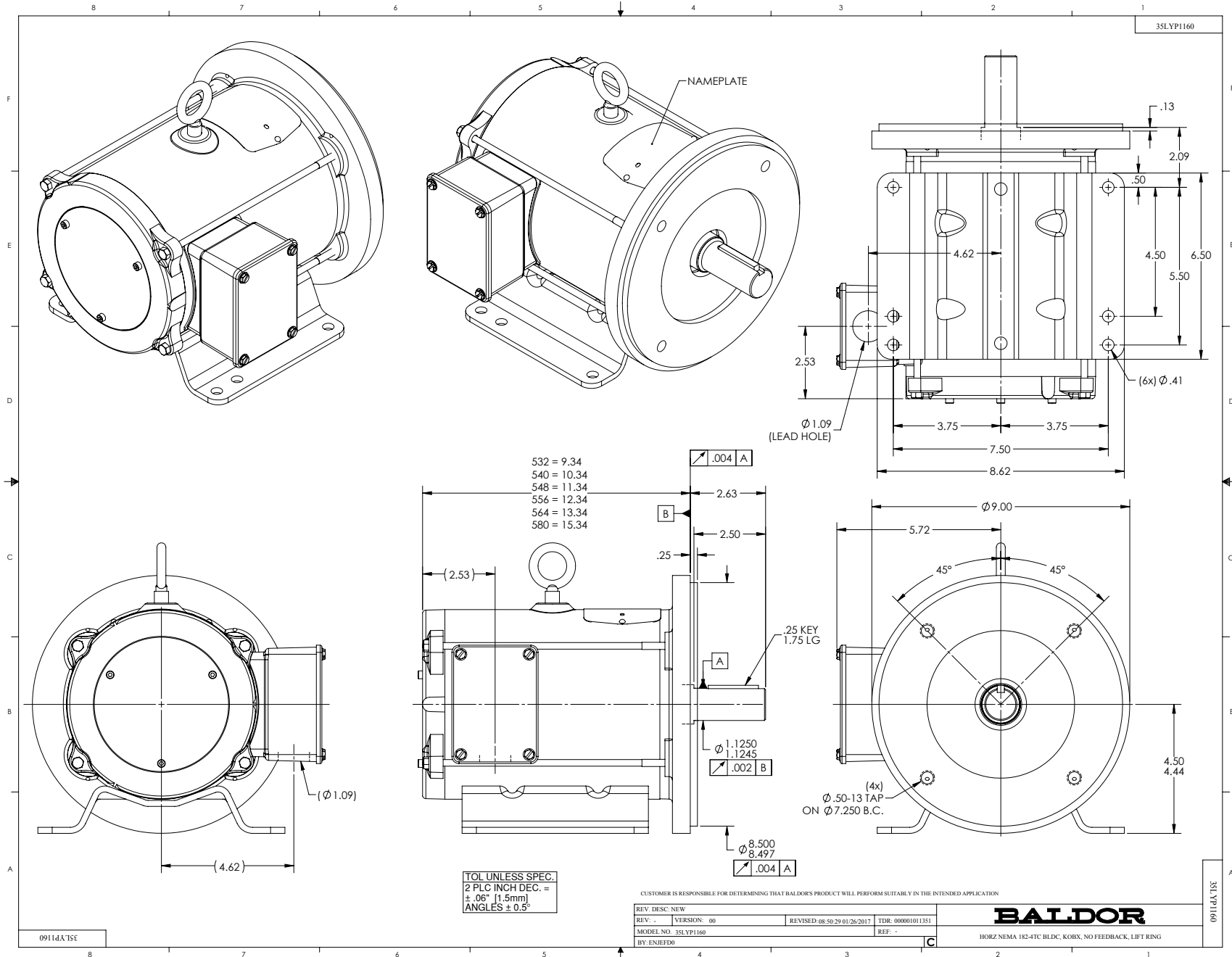
|                                  |                            |  |  |
|----------------------------------|----------------------------|--|--|
| <b>Nameplate Output:</b>         | 3                          |  |  |
| <b>Shaft Rotation:</b>           | Reversible                 |  |  |
| <b>Motor Standards:</b>          | NEMA                       |  |  |
| <b>Thermal Device - Winding:</b> | Normally Closed Thermostat |  |  |

| Nameplate NP3620L |               |        |      |
|-------------------|---------------|--------|------|
| CAT.NO.           | CECG358030T-4 |        |      |
| SPEC.             | 35P1160L873   |        |      |
| HP                | 3             | RPM    | 900  |
| FRAME             | 182TC         | SER.F. | 1.00 |
| AC VOLTS          | 460           |        |      |
| MOT NOM CURRENT   | 4.40          |        |      |
| MOT NOM FREQ      | 60            |        |      |
| BEMF              | 367.380       |        |      |
| CLASS             | F             | AMB    | 40   |
| DUTY              | CONT          | ENCL   | TENV |
| DE                | 6207          | ODE    | 6205 |
| SN                |               |        |      |
|                   |               |        |      |
|                   |               |        |      |

| Parts List   |  |          |
|--------------|--|----------|
| Part Number  | Description                              | Quantity |
| SA350564     | SA 35P1160L873                           | 1.000 EA |
| RA339221     | RA 35P1160L873                           | 1.000 EA |
| HW3200A01    | 3/8-16X3/4 I-BLT WELDED F/S              | 1.000 EA |
| 35CB3009     | 35 CB W/1.09 DIA. LEAD HOLE @ 6:         | 1.000 EA |
| 36GS1000SP   | GASKET-CONDUIT BOX, .06 THICK #SV-330 LE | 1.000 EA |
| 51XB1016A07  | 10-16 X 7/16 HXWSSLD SERTYB              | 2.000 EA |
| 11XW1032G06  | 10-32 X .38, TAPTITE II, HEX WSHR SLTD U | 1.000 EA |
| 35EP2108A16  | BLDC FREP, NO FEEDBACK, 33CB4507 MTG     | 1.000 EA |
| 33CB4507     | COVER- 33 TACH. ADAP(CLOWTDR 10478 ORDER | 1.000 EA |
| 84YN0040J010 | 4MM X 10MM SHCS                          | 3.000 EA |
| HW1021A04    | WASHER, M4 SPLIT LOCK                    | 3.000 EA |
| HW5100A07    | W2816-030 WVY WASHER (WB)                | 3.000 EA |
| RB4000A07    | 205 BRG. RETAINER MACH. 3 SCREWS         | 1.000 EA |
| 51XN1032A20  | 10-32 X 1 1/4 HX WS SL SR                | 2.000 EA |
| 35EP2110A02  | BSM6 PUEP NEMA 182-4TC                   | 1.000 EA |
| HW2501E16    | KEY, 1/4 SQ X 1.750                      | 1.000 EA |
| HA7000A02    | KEY RETAINER RING, 1 1/8 DIA, 1 3/8 DIA  | 1.000 EA |
| 35CB4521     | 35 LIPPED CB LID (GALV & PHOSPH)         | 1.000 EA |
| 35GS1030     | 35 GS FOR CB LID - LEXIDE                | 1.000 EA |
| 51XW0832A07  | 8-32 X .44, TAPTITE II, HEX WSHR SLTD SE | 4.000 EA |
| 85XU0407S04  | 4X1/4 U DRIVE PIN STAINLESS              | 2.000 EA |
| BG6207E03    | 6207 D.SL,C3,POLYREX EM                  | 1.000 EA |
| HA3101A41    | THRUBOLT- 1/4-20 X 14.687                | 4.000 EA |
| MG1000Y03    | MUNSELL 2.53Y 6.70/ 4.60, GLOSS 20,      | 0.018 GA |

| <b>Parts List (continued)</b> |   |                 |
|-------------------------------|---|-----------------|
| <b>Part Number</b>            | <b>Description</b>                      | <b>Quantity</b> |
| LB1119N                       | WARNING LABEL                           | 1.000 EA        |
| NP3620L                       | ALUM EC GOLD UL CSA CC                  | 1.000 EA        |
| LB1115N                       | LABEL,LIFTING DEVICE (ON ROLLS)         | 1.000 EA        |
| 35PA1007                      | PKG GRP, PRINT PK1034A06                | 1.000 EA        |
| PK3083T                       | STYROFOAM PACKING CRADLE                | 1.000 EA        |
| LB1417                        | LABEL CARTON 6X4 PERFORATED BLANK ROLLS | 1.000 EA        |
| PK3088                        | MICROFOAM, 8"X"8 PERF. SHEETS 5,400/RL  | 1.000 EA        |

No performance data has been  
assigned to this product.



CD1212

MOTOR CONNECTIONS

| FUNCTION         | INTERNAL/EXTERNAL MARKINGS |
|------------------|----------------------------|
| GROUND           | GREEN/YELLOW               |
| U                | BLACK OR T1                |
| V                | RED OR T2                  |
| W                | BLUE OR T3                 |
| * THERMAL SWITCH | YELLOW OR BLUE             |
| * THERMAL SWITCH | YELLOW OR BLUE             |
| * BRAKE          | BLACK                      |
| * BRAKE          | BLACK                      |

\* WHEN REQUIRED

CD1212

|  |                              |                   |
|--|------------------------------|-------------------|
| REV. DESC: REMOVE "BSM90 & 100" FROM DESCRIPTION |                              |                   |
| REV. LTR: C                                      | VERSION: 02                  | TDR: 000001064992 |
| FILE: \AAA\00043\247                             | REVISED: 01:04:07 03/20/2018 | BY: ENJFDO        |
| MTL: -   | © □                          |                   |

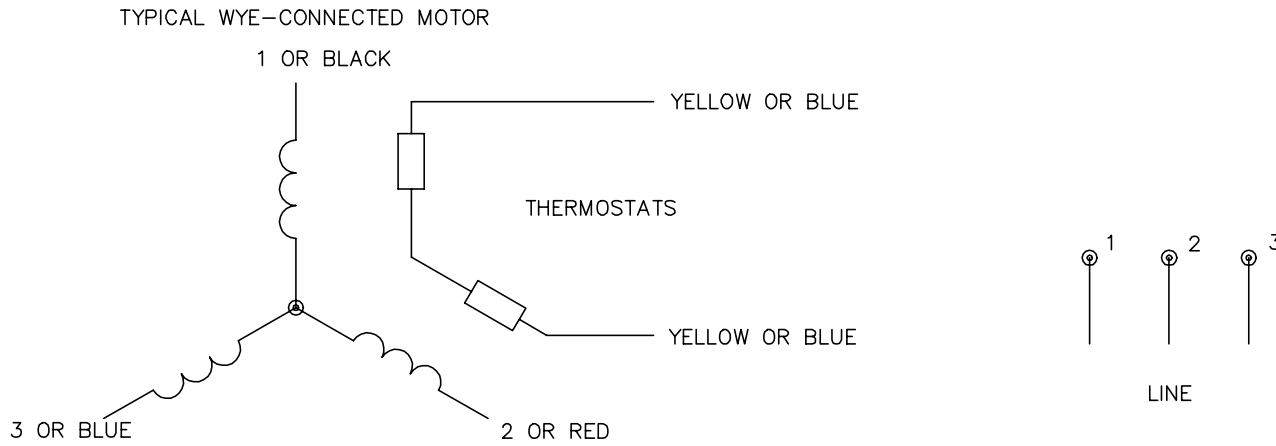
**BALDOR - RELIANCE**

WIRING DIAG - POWER LEADS ONLY, FOR MOTORS WITH FLYING LEADS

SH 1 of 1



CD0006A02



NOTES:

1. INTERCHANGE ANY TWO LINE LEADS TO REVERSE ROTATION.
2. ACTUAL NUMBER OF INTERNAL PARALLEL CIRCUITS MAY VARY.

|   |                      |                              |  |
|---|----------------------|------------------------------|--|
| REV. DESC: REMOVED "OPTIONAL" FROM PRINT, SERVO REQ'S T'STATS |                      |                              |  |
| REV. LTR: D   | VERSION: 03          | TDR: 000000414937            |  |
| Z0V9000003<br>CD0006A02                                       | FILE: \AAA\00068\606 | REVISED: 10:02:28 11/21/2006 |  |
|   | MTL: -               | BY: ENJFD0                   |  |

**BALDOR ELECTRIC Co.**

3PH, SV, 3 LEADS, WYE CONNECTED

CD0006A02