

BALDOR® • RELIANCE 

Product Information Packet

CECP4115T

50HP, 1775RPM, 3PH, 60HZ, 324TC, 1272M, TEFC, F

| Part Detail | | | | | | | |
|-------------|--------|-------------|------------|-------------|--------|---------------|------------|
| Revision: | L | Status: | PRD/A | Change #: | | Proprietary: | No |
| Type: | AC | Elec. Spec: | 12WGY141 | CD Diagram: | CD0180 | Mfg Plant: | |
| Mech. Spec: | 12G214 | Layout: | 12LYG214 | Poles: | 04 | Created Date: | 01-10-2014 |
| Base: | RG | Eff. Date: | 08-25-2017 | Leads: | 9#6 | | |

| Specs | | | |
|---------------------------------|-------------------------|--------------------------------|-----------------------------|
| Catalog Number: | CECP4115T | Insulation Class: | F |
| Enclosure: | TEFC | Inverter Code: | Inverter Duty |
| Frame: | 324TC | KVA Code: | H |
| Frame Material: | Iron | Lifting Lugs: | Standard Lifting Lugs |
| Output @ Frequency: | 50.000 HP @ 60 HZ | Locked Bearing Indicator: | Locked Bearing |
| Synchronous Speed @ Frequency: | 1800 RPM @ 60 HZ | Motor Lead Quantity/Wire Size: | 9 @ 6 AWG |
| Voltage @ Frequency: | 460.0 V @ 60 HZ | Motor Lead Exit: | Ko Box |
| | 230.0 V @ 60 HZ | Motor Lead Termination: | Flying Leads |
| XP Class and Group: | None | Motor Type: | 1272M |
| XP Division: | Not Applicable | Mounting Arrangement: | F1 |
| Agency Approvals: | UR | Power Factor: | 85 |
| | CSA EEV | Product Family: | Super-E Chemical Processing |
| | CSA | Pulley End Bearing Type: | Ball |
| Auxillary Box: | No Auxillary Box | Pulley Face Code: | C-Face |
| Auxillary Box Lead Termination: | None | Pulley Shaft Indicator: | Standard |
| Base Indicator: | Rigid | Rodent Screen: | None |
| Bearing Grease Type: | Polyrex EM (-20F +300F) | Shaft Extension Location: | Pulley End |
| Blower: | None | Shaft Ground Indicator: | No Shaft Grounding |

| | | | |
|---------------------------------------|---------------------------|------------------------------------|---------------------|
| Constant Torque Speed Range: | 0.8 | Shaft Rotation: | Reversible |
| Current @ Voltage: | 116.000 A @ 230.0 V | Shaft Slinger Indicator: | Shaft Slinger |
| | 58.000 A @ 460.0 V | Speed Code: | Single Speed |
| Design Code: | A | Motor Standards: | NEMA |
| Drip Cover: | No Drip Cover | Starting Method: | Direct on line |
| Duty Rating: | CONT | Thermal Device - Bearing: | NONE (OLD) |
| Electrically Isolated Bearing: | Not Electrically Isolated | Thermal Device - Winding: | None |
| Feedback Device: | NO FEEDBACK | Vibration Sensor Indicator: | No Vibration Sensor |
| Front Face Code: | Standard | Winding Thermal 1: | None |
| Front Shaft Indicator: | None | Winding Thermal 2: | None |
| Heater Indicator: | No Heater | XP Temp Code: | T3 |

Nameplate NP3241

| | | | | | |
|------------|--------------|--------------------|------|-------------------------|------------|
| CAT.NO. | CECP4115T | P/N | | ENCLOSURE | TEFC |
| SPEC. | 12G214Y141G1 | CC | 010A | FRAME | 324TC |
| HP | 50 | CLASS | F | HZ | 60 |
| RPM | 1775 | RPM MAX | 2700 | PH | 3 |
| VOLT | 230/460 | MOTOR WEIGHT | 700 | KVA-CODE | H |
| AMP | 116/58 | SER.F. | 1.15 | PF | 85 |
| RATING | 40C AMB-CONT | NEMA-NOM-EFF | 94.5 | ODE BRG | 6312 |
| | | | | DE BRG | 6312 |
| | | | | GREASE | POLYREX EM |
| | | | | INV.TYPE | PWM |
| TEMP CODE | T3 | INVERTER-TEMP-CODE | 200 | | |
| TEMP = | 200 | C HP FR | 60 | C HP TO | 90 |
| CT HZ FROM | 0.8 | CT HZ TO | 60 | | |
| HTR-VOLTS | | HTR-AMPS | | HTR-WATTS | |
| | | | | MAX. SPACE HEATER TEMP. | |
| | | | | VT HZ FROM | 0 |
| | | | | VT HZ TO | 60 |

| Parts List | | |
|---------------|---|----------|
| Part Number | Description | Quantity |
| SA274991 | SA 12G214Y141G1 | 1.000 EA |
| RA261573 | RA 12G214Y141G1 | 1.000 EA |
| 09FN3001C03 | EXTERNAL FAN, PLASTIC | 1.000 EA |
| 10CB1000A203P | CONDUIT BOX, MACH W/EPOXY PRIMER | 1.000 EA |
| 09GS1010 | GASKET, DWG, LEADWIRE SEPERATOR | 1.000 EA |
| 10XN3118K16 | 5/16-18 X 1' GRADE #5, STL, ZINC PLATE | 4.000 EA |
| HW1001A31 | LOCKWASHER 5/16, ZINC PLT.591 OD, .319 I | 4.000 EA |
| WD1000B25 | GND LUG, BURNDY L125HP OR T&B L125HP-BB | 1.000 EA |
| 19XW3118G08 | .31-18X.50,HEX WSHR HD,TAPTITE 2,GREEN | 1.000 EA |
| HW1001A31 | LOCKWASHER 5/16, ZINC PLT.591 OD, .319 I | 1.000 EA |
| HA4017A02 | .125X2.50 GREASER EXTENS.F/S | 1.000 EA |
| HW4019A01 | PIPE COUPLING 1/8 NPT,STEEL,ZINC COATING | 1.000 EA |
| HA4017A01 | 1/8 X 4 GREASE EXT (F/S) | 1.000 EA |
| HW4500A20 | 1/8NPT SL PIPE PLUG | 1.000 EA |
| HA3400A13 | STUD, 1/2-13 X 7" WELKER | 4.000 EA |
| HW1001A50 | LOCKWASHER 1/2, ZINC PLT.,.879 OD, .509 I | 4.000 EA |
| HW4600B41 | V-RING SLINGER 2.125 X 2.880 X 0.280 | 1.000 EA |
| HW5100A15 | W4997-050 WVY WSHR (WB) | 1.000 EA |
| 10XN3118K40 | 5/16-18 X 2.50" HEX HD, GRADE 5 | 2.000 EA |
| 12EP1105A97P | PU EP, MACH, PLS W/EPOXY PRIMER | 1.000 EA |
| 10XN5013K28 | 1/2-13 X 1.75 HEX HEAD MACH SCREW,GRAD | 4.000 EA |
| HW1001A50 | LOCKWASHER 1/2, ZINC PLT.,.879 OD, .509 I | 4.000 EA |
| HW4600B41 | V-RING SLINGER 2.125 X 2.880 X 0.280 | 1.000 EA |
| HW4500A20 | 1/8NPT SL PIPE PLUG | 1.000 EA |

| Parts List (continued) | | |
|------------------------|--|----------|
| Part Number | Description | Quantity |
| 10XN3118K44 | 5/16-18 X 2.75" HEX HD, GRADE 5 | 4.000 EA |
| 12FH1002A59P | FAN COVER, MACH W/EPOXY PRIMER | 1.000 EA |
| XY5013A12 | NUT, 1/2-13, HEX, STEEL, ZINC PLATED | 4.000 EA |
| HW1001A50 | LOCKWASHER 1/2, ZINC PLT., .879 OD, .509 I | 4.000 EA |
| 10CB1503A01P | CONDUIT BOX LIPPED LID, MACH W/EPXY PRMR | 1.000 EA |
| 14GS1003 | GASKET CONDUIT BOX LID, NEOP | 1.000 EA |
| 10XN2520K16 | 1/4-20 X 1" HX HD SCRW GRADE 5, ZINC P | 4.000 EA |
| HW1001A25 | LOCKWASHER 1/4, ZINC PLT .493 OD, .255 I | 4.000 EA |
| HW2501H33 | KEY, 1/2 SQ X 3.875 | 1.000 EA |
| MJ5001A27 | 32220KN GRAY SEALER *MIN BUY 4 QTS=1GAL | 0.031 QT |
| MJ5001A14 | DYNAPRO SEALANT, CP MTR VC#2508050 (603 | 0.030 EA |
| LB1115N | LABEL, LIFTING DEVICE (ON ROLLS) | 1.000 EA |
| 12EP1111A57GP6 | FR ENDPLATE, MACH W/EPOXY PRIMER & RELIA | 1.000 EA |
| MN416A01 | TAG-INSTAL-MAINT no wire (1200/bx) 5/18 | 1.000 EA |
| LB1002N | LABEL, MARINE DUTY (ON ROLLS) | 1.000 EA |
| HW4500A17 | 317400 ALEMITE GREASE RELIEF | 1.000 EA |
| HW4500A21 | 1618BALEMITE FITTING 825 UNIVERSAL | 1.000 EA |
| HA4051A00 | PLASTIC CAP FOR GREASE FITTING | 1.000 EA |
| HA4054 | SHORT T-DRAIN FITTING, .125" N.P.T. | 1.000 EA |
| HA4054 | SHORT T-DRAIN FITTING, .125" N.P.T. | 1.000 EA |
| MJ1000A02 | GREASE, POLYREX EM EXXON (USe 4824-15A) | 0.200 LB |
| HW4500A17 | 317400 ALEMITE GREASE RELIEF | 1.000 EA |
| HW4500A03 | GREASE FITTING, .125 NPT 1610(ALEMITE) 8 | 1.000 EA |
| HA4051A00 | PLASTIC CAP FOR GREASE FITTING | 1.000 EA |

Product Information Packet: CECP4115T - 50HP,1775RPM,3PH,60HZ,324TC,1272M,TEFC,F

| | | |
|-------------|--|----------|
| HW2500A25 | WOODRUFF KEY USA #1008 #BLOW CARBON STEE | 1.000 EA |
| 51XB1214A20 | 12-14X1.25 HXWSSLD SERTYB | 1.000 EA |
| MG1025N19 | WILKOFAS, 778.50, RELIANCE BLUE-GREEN | 0.080 GA |
| 85XU0407S04 | 4X1/4 U DRIVE PIN STAINLESS | 2.000 EA |
| LB1119N | WARNING LABEL | 1.000 EA |
| LC0181 | CONNECTION LABEL | 1.000 EA |
| NP3241 | SS SUPER-E INV UL CSA-EEV PREM CC | 1.000 EA |
| 12PA1000 | PACKAGING GROUP PRINT PK1024A06 | 1.000 EA |
| LB1449 | DIV-2/NEC WARNING LABEL | 1.000 EA |

AC Induction Motor Performance Data

Record # 47180 - Typical performance - not guaranteed values

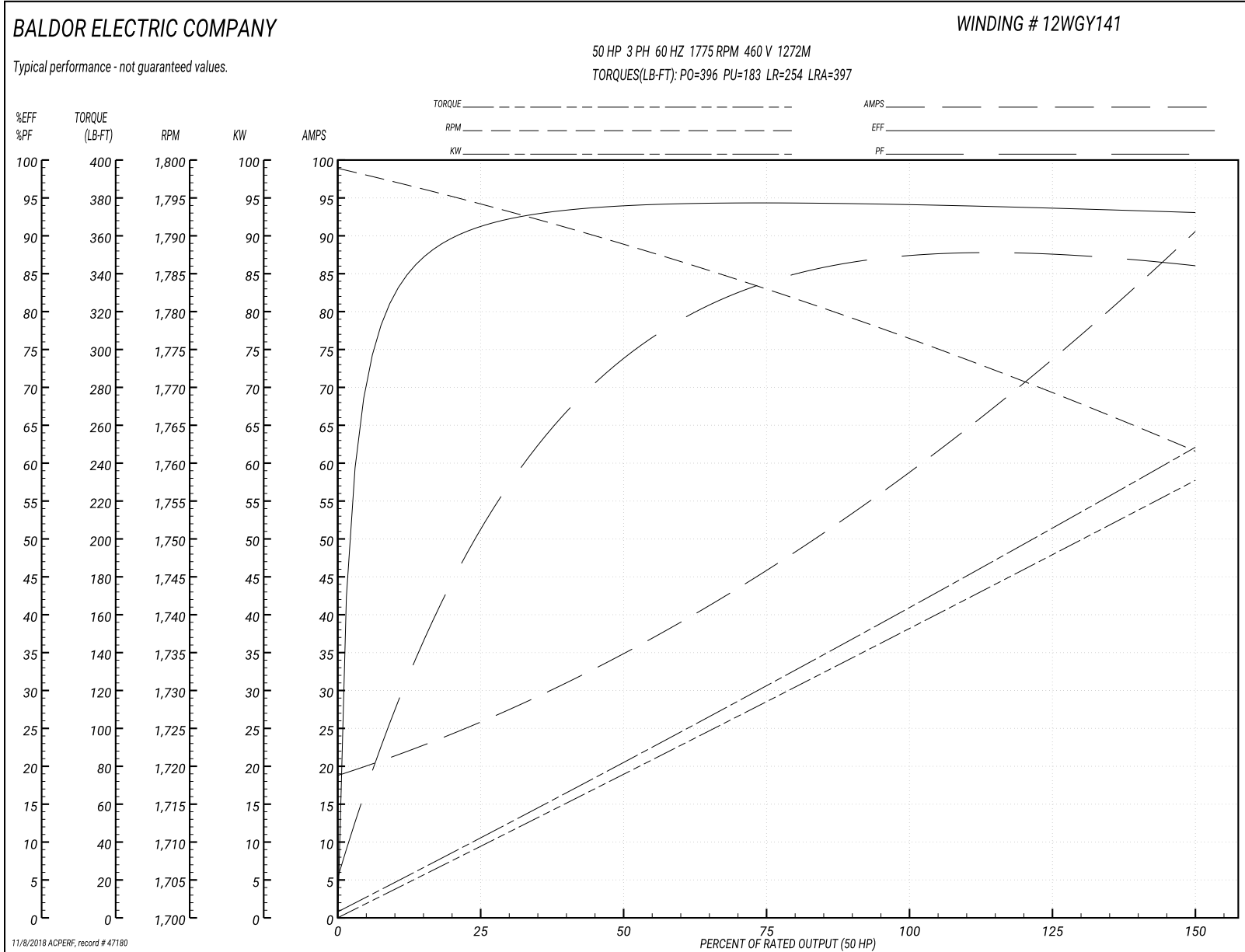
| | | |
|-------------------------------|--------------------|------------------------|
| Winding: 12WGY141-R031 | Type: 1272M | Enclosure: TEFC |
|-------------------------------|--------------------|------------------------|

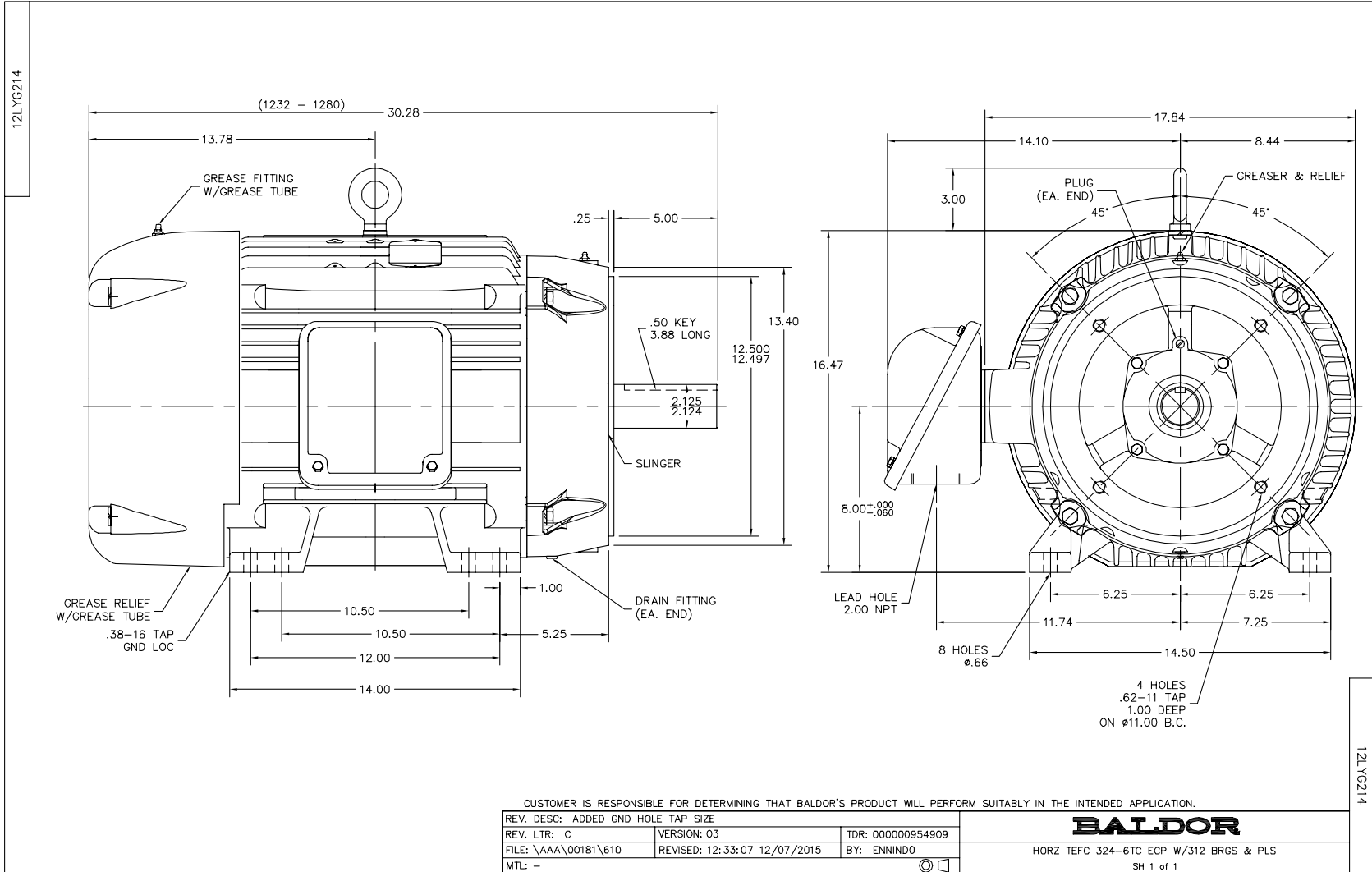
| Nameplate Data | | | | 460 V, 60 Hz: High Voltage Connection | |
|-----------------------|--------------|--------------|----|--|----------------|
| Rated Output (HP) | 50 | | | Full Load Torque | 147 LB-FT |
| Volts | 230/460 | | | Start Configuration | direct on line |
| Full Load Amps | 116/58 | | | Breakdown Torque | 396 LB-FT |
| R.P.M. | 1775 | | | Pull-up Torque | 183 LB-FT |
| Hz | 60 | Phase | 3 | Locked-rotor Torque | 254 LB-FT |
| NEMA Design Code | A | KVA Code | H | Starting Current | 397 A |
| Service Factor (S.F.) | 1.15 | | | No-load Current | 19.8 A |
| NEMA Nom. Eff. | 94.5 | Power Factor | 85 | Line-line Res. @ 25°C | 0.10889 Ω |
| Rating - Duty | 40C AMB-CONT | | | Temp. Rise @ Rated Load | 64°C |
| S.F. Amps | | | | Temp. Rise @ S.F. Load | 79°C |

Load Characteristics 460 V, 60 Hz, 50 HP

| % of Rated Load | 25 | 50 | 75 | 100 | 125 | 150 | S.F. |
|-----------------|--------|--------|--------|--------|--------|--------|------|
| Power Factor | 53 | 74 | 83 | 86 | 87 | 87 | 87 |
| Efficiency | 91.3 | 94.3 | 94.8 | 94.6 | 94 | 93.1 | 94.2 |
| Speed | 1794.5 | 1789.3 | 1783.5 | 1777.5 | 1770.7 | 1761.5 | 1773 |
| Line amperes | 24.2 | 33.5 | 44.7 | 57.6 | 71.5 | 90 | 65.9 |

Performance Graph at 460V, 60Hz, 50.0HP Typical performance - Not guaranteed values

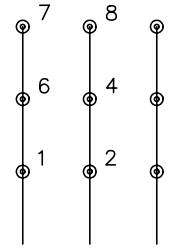




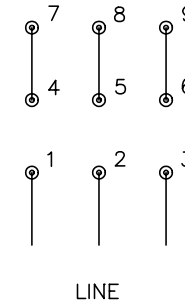
CD0180



LOW VOLTAGE
(2D)



HIGH VOLTAGE
(1D)



NOTES:

1. INTERCHANGE ANY TWO LINE LEADS TO REVERSE ROTATION.
2. OPTIONAL THERMOSTATS ARE PROVIDED WHEN SPECIFIED.
3. ACTUAL NUMBER OF INTERNAL PARALLEL CIRCUITS MAY BE A MULTIPLE OF THOSE SHOWN ABOVE.
4. LEAD COLORS ARE OPTIONAL. LEADS MUST ALWAYS BE NUMBERED AS SHOWN.

| | | | |
|---|---------|------------------------|--------------|
| REV. DESC: REVISE TO SHOW OPTIONAL COLORS | | | |
| REV. LTR: C | BY: JLP | REVISED: 01/21/99 2:28 | TDR: 0171435 |
| 0810D0 | | FILE: AAA00005148 | MDL: - |
| | | MTL: - | |

BALDOR ELECTRIC Co.

3PH, DV, 9 LEADS, DELTA CONNECTION

CD0180

Marketing maintained PDF of MN416:

<http://www.baldor.com/support/Literature/Load.ashx/MN416?ManNumber=MN416>