

**BALDOR® • RELIANCE** 

**Product Information Packet**

**CECP4308T**

**40HP, 1190RPM, 3PH, 60HZ, 364TC, TEFC, F1**

Part Detail							
Revision:	E	Status:	PRD/A	Change #:		Proprietary:	No
Type:	AC	Elec. Spec:	A36WG0747	CD Diagram:	416820-002	Mfg Plant:	
Mech. Spec:		Layout:	611740-503-SH1	Poles:	06	Created Date:	11-27-2013
Base:		Eff. Date:	08-05-2015	Leads:	3#4,6#6		

Specs			
Catalog Number:	CECP4308T	Heater Indicator:	No Heater
Enclosure:	TEFC	Insulation Class:	F
Frame:	364TC	Inverter Code:	Inverter Ready
Frame Material:	Iron	KVA Code:	G
Output @ Frequency:	40.000 HP @ 60 HZ	Lifting Lugs:	Standard Lifting Lugs
Synchronous Speed @ Frequency:	1200 RPM @ 60 HZ	Motor Lead Quantity/Wire Size:	3 @ 4 AWG
Voltage @ Frequency:	230.0 V @ 60 HZ	Motor Type:	A36062M
	460.0 V @ 60 HZ	Mounting Arrangement:	F1
XP Class and Group:	None	Power Factor:	80
XP Division:	Division II	Product Family:	General Industrial
Agency Approvals:	CSA EEV	Pulley End Bearing Type:	Ball
Auxillary Box:	No Auxillary Box	Pulley Face Code:	C-Face
Base Indicator:	Rigid	Shaft Ground Indicator:	No Shaft Grounding
Bearing Grease Type:	Polyrex EM (-20F +300F)	Shaft Rotation:	Reversible
Constant Torque Speed Range:	6-60	Shaft Slinger Indicator:	Shaft Slinger
Current @ Voltage:	49.400 A @ 460.0 V	Speed Code:	Single Speed
	98.800 A @ 230.0 V	Motor Standards:	NEMA
Design Code:	B	Starting Method:	Direct on line

<b>Drip Cover:</b>	No Drip Cover	<b>Thermal Device - Bearing:</b>	NONE (OLD)
<b>Duty Rating:</b>	CONT	<b>Thermal Device - Winding:</b>	None
<b>Feedback Device:</b>	NO FEEDBACK	<b>XP Temp Code:</b>	T3A

Nameplate NP2496L

MOBIL POLYREX EM

Nameplate NP3238									
CAT NO	CECP4308T	SPEC NO.	A36-4050-0747						
HP	40	AMPS	98.8/49.4	VOLTS	230/460	DESIGN	B		
FRAME	364TC	RPM	1190	HZ	60	AMB	40	SF	1.15
D.E. BRG.DATA	6313	O.D.E. BRG.DATA	6313	PH	3	DUTY	CONT	INSUL.CLASS	F
D.E. BRG.	65BC03J30X	TYPE	P	ENCL	TEFC	CODE	G	NEMA NOM EFFICIENCY	94.1
O.D.E. BRG.	65BC03J30X	POWER FACTOR	80	MAX CORR KVAR	12.0	GUARANTEED EFFICIENCY	93		
3/4 LOAD EFF.	94.3	TEMP CODE	T3A	TEMP	= 180				
CHP HZ	60-90	CT HZ	6-60	VT HZ	0-60				
INVERTER-TEMP-CODE	T3A								
SER.NO.		MOTOR WEIGHT	908						

Parts List		
Part Number	Description	Quantity
SA272933	SA A36-4050-0747	1.000 EA
RA259538	RA A36-4050-0747	1.000 EA
421948032	LABEL, MYLAR	1.000 EA
NP2496L	MOTOR LUBE NAMEPLATE	1.000 EA
000613006PU	N/P (RELEASE QTY 10,000) UL CSA LABEL	1.000 EA
000692000VD	LABEL WARNING	1.000 EA
NP3238	SS CP XEX SEVERE DUTY MAIN NP	1.000 EA
085922073B	BRKT 360 085922072WCC KB	1.000 EA
415072001B	CLAMP	1.000 EA
078559001A	+FANCV - 360	1.000 EA
034180012DA	KEY 1X4X1/4X1-1/2 L	1.000 EA
412118006A	DRAIN	1.000 EA
078550001M	FAN KB 60/30 (30) 360	1.000 EA
004824015A	GREASE POLYREX EM	0.540 LB
032018012DK	HHCS 1/2-13X1-1/2 PLTD.	4.000 EA
032018008AK	HHCS 1/4-20X1 PLATED	4.000 EA
032018024CK	HHCS 3/8-16X3 PLTD.	3.000 EA
415096002A	CPLG 1/8 HEX TYPE	1.000 EA
415045002E	SLGR	1.000 EA
410700004F	WSHR	1.000 EA
034530052AB	P/NIP 1/8X6-1/2 GALV.	1.000 EA
034690002AB	PPLG 1/4" PLTD.	1.000 EA
034690002AB	PPLG 1/4" PLTD.	1.000 EA
085922070B	BRKT 360 085922069WCA	1.000 EA

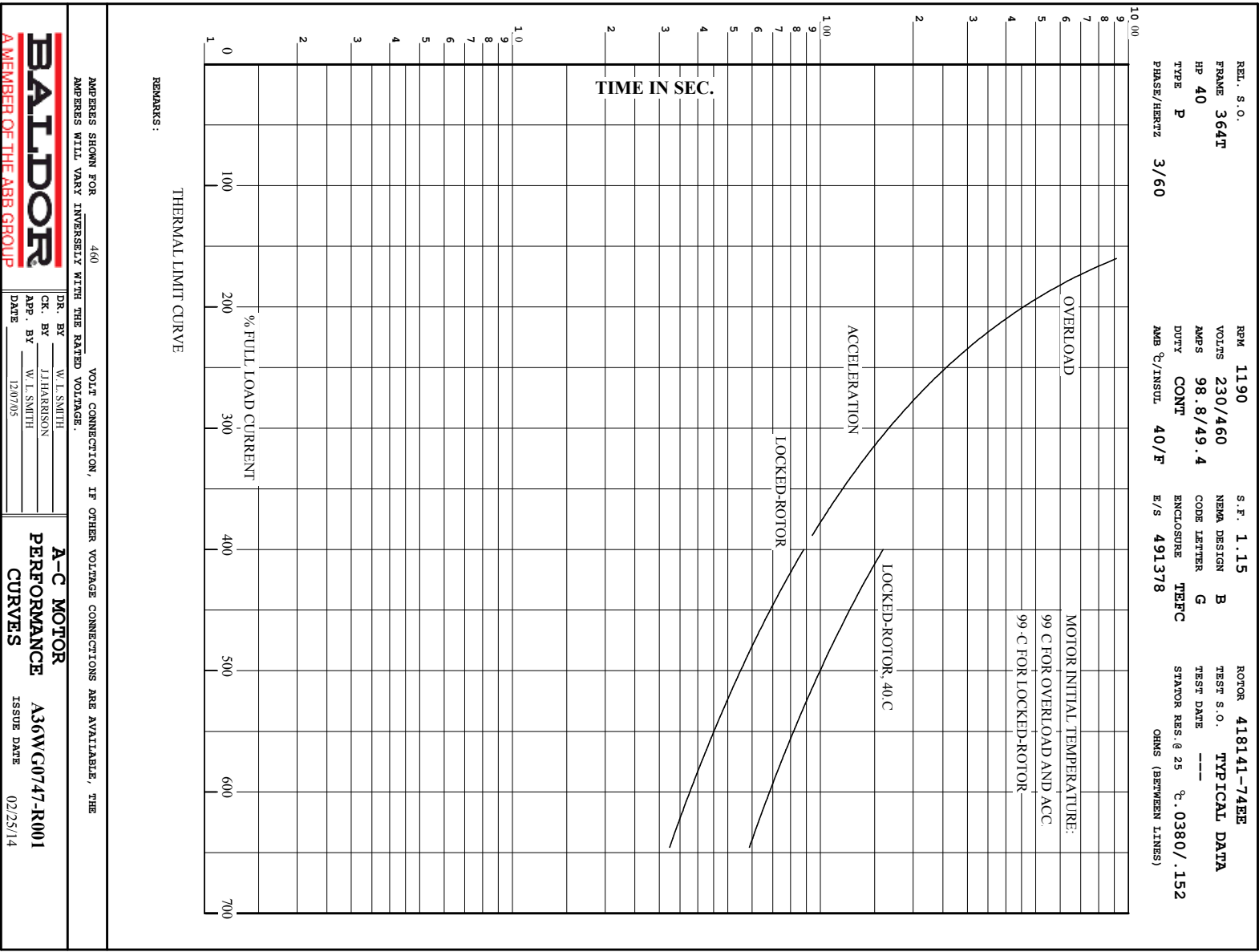
Parts List (continued)		
Part Number	Description	Quantity
032018012DK	HHCS 1/2-13X1-1/2 PLTD.	4.000 EA
032018024CK	HHCS 3/8-16X3 PLTD.	3.000 EA
415045002E	SLGR	1.000 EA
412118006A	DRAIN	1.000 EA
076708000BB	C/B - 360	1.000 EA
065776000C	TERBD 320-400	1.000 EA
076709000A	C/B Cover - 360	1.000 EA
067053000B	GASK 320-400	1.000 EA
418150003A	GREASE FITTING CAP	1.000 EA
032018010CK	HHCS 3/8-16X1-1/4 PLTD.	4.000 EA
035000001A	ALFTG 1/8" 1610-BL	1.000 EA
415000103H	415000103H	1.000 EA
033512008LB	HHTTS 1/4-20X1 PLATED	4.000 EA
406099000A	PLUG - FAN COVER 320-440	1.000 EA
034000014AB	WSH ID.406 OD.812 TH.065	4.000 EA
048977006B	GRFTG - XP	1.000 EA
035000001A	ALFTG 1/8" 1610-BL	1.000 EA
418150003A	GREASE FITTING CAP	1.000 EA
MG1025N19	WILKO 778.50 BLUE GREEN - 55 GAL DRUMS	0.250 GA
033775004EA	DRSCR #6-1/4 304 S.S.	4.000 EA
034180034HA	KEY 5/8X5/8X4-1/4 L	1.000 EA
HW1000A32	5/16 FL WASHER WIDE,ID=.344,OD=1.125	3.000 EA
032509020C	CARRIAGE BOLT - 360	3.000 EA
LB1449	DIV-2/NEC WARNING LABEL	1.000 EA

Product Information Packet: CECP4308T - 40HP,1190RPM,3PH,60HZ,364TC,TEFC,F1

---

14PA1000	PACKAGING 314 GROUP COMBINED PRINT	1.000 EA
032018005DL	1/2-13 X 5/8 SILICON BRONZE HHCS	1.000 EA





AMPS SHOWN FOR 460 VOLTS CONNECTION, IF OTHER VOLTAGE CONNECTIONS ARE AVAILABLE, THE AMPS WILL VARY INVERSELY WITH THE RATED VOLTAGE.

**BALDOR**  
A MEMBER OF THE ABB GROUP

DR. BY W.L. SMITH  
CK. BY J. HARRISON  
APP. BY W.L. SMITH  
DATE 12/7/05

**A-C MOTOR PERFORMANCE CURVES**  
A36WC0747-R001  
ISSUE DATE 02/25/14

REL. S.O.	FRAME	HP	TYPE	PHASE/HERTZ	RPM	VOLTS
	364T	40	P	3/60	1190	230/460
AMPS	DUTY	AMB °C/ INSUL.	S.F.	NEMA DESIGN	CODE LETTER	ENCL.
98.8/49.4	CONT	40/F	1.15	B	G	TEFC
E/S	ROTOR	TEST S.O.	TEST DATE	STATOR RES @25 °C OHMS (BETWEEN LINES)		
491378	418141-74EE	---	---	.0380/.152		

PERFORMANCE

LOAD	HP	AMPERES	RPM	POWER FACTOR %	EFFICIENCY %
NO LOAD	0	17.7	1200	5.41	0
1/4	10.0	21.6	1197	48.3	90.0
2/4	20.0	29.0	1194	69.0	93.6
3/4	30.0	38.6	1191	77.2	94.3
4/4	40.0	49.4	1188	80.5	94.2
5/4	50.0	61.0	1184	81.9	93.7

SPEED TORQUE

	RPM	TORQUE % FULL LOAD	TORQUE LB.-FT.	AMPERES
LOCKED ROTOR	0	158	280	290
PULL UP	480	136	241	270
BREAKDOWN	1135	243	430	167
FULL LOAD	1188	100	177	49.4

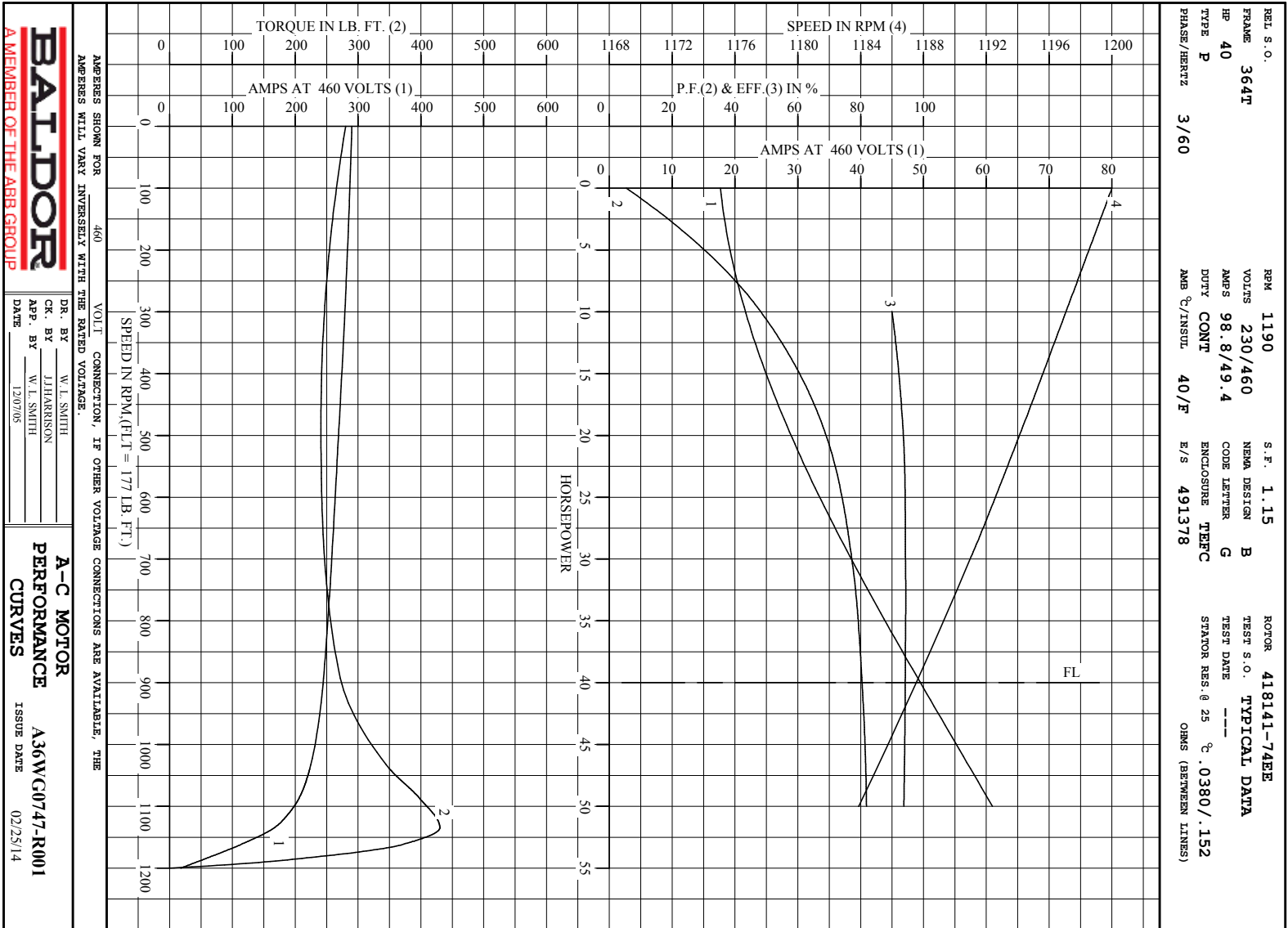
AMPERES SHOWN FOR 460. VOLT CONNECTION. IF OTHER VOLTAGE CONNECTIONS ARE AVAILABLE, THE AMPERES WILL VARY INVERSELY WITH THE RATED VOLTAGE

REMARKS: TYPICAL DATA



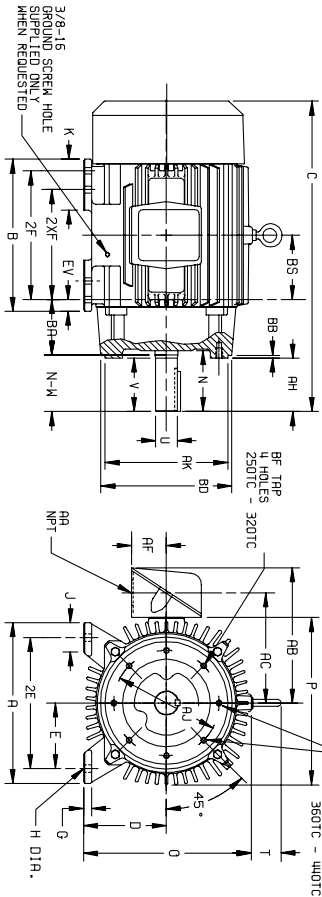
DR. BY W. L. SMITH  
 CK. BY J. J. HARRISON  
 APP. BY W. L. SMITH  
 DATE 12/07/05

A-C MOTOR PERFORMANCE DATA  
**A36MG0747-R001**  
 ISSUE DATE 02/25/14



611740-503-SHI

**DUTY MASTER ALTERNATING CURRENT MOTORS**  
 SQUIRREL-CAGE INDUCTION  
 ENCLOSURE: TOTALLY ENCLOSED  
 MOUNTING: FOOT, NEMA "C" FACE  
 FRAMES 250TC THRU 440TC  
 COOLING: FAN COOLED  
 CAST IRON CONSTRUCTION



DIMENSIONS ARE IN INCHES. SEE SHEET 2 FOR DIMENSIONS IN MILLIMETERS.

FRAME	A	D(2)	E	G	H	J	K	EV	O	P	T	CAST IRON TERMINAL BOX				MIN. DEPTH		AK				
												AA	AB	AC	AF	BA	BB	BD	BF	AJ	AK	
254TC-256TC	12.50	6.25	5.00	.75	.56	2.50	---	1.00	13.25	13.25	2.44	1-1/4	410.81	8.81	2.50	4.75	2.51	9.00	1/2-13	.75	7.25	8.500
284TC-286TC	13.75	7.00	5.50	.75	.56	2.50	---	1.00	14.75	14.88	2.44	1-1/2	212.62	10.19	3.00	4.75	2.51	11.25	1/2-13	.75	9.00	10.500
324TC-326TC	15.50	8.00	6.25	.88	.69	2.75	4.50	1.38	16.69	17.00	2.44	2	15.44	11.69	3.62	5.25	2.51	13.12	5/8-11	.94	11.00	12.500
364TC-365TC	17.00	9.00	7.00	.88	.69	2.75	3.88	1.38	18.50	19.50	2.44	3	18.00	13.81	4.12	5.88	2.51	13.00	5/8-11	.94	11.00	12.500
404TC-405TC	17.00	10.00	8.00	1.12	.81	3.25	4.62	1.13	21.31	22.50	2.94	3	19.25	15.06	4.12	6.62	2.51	13.12	5/8-11	.94	11.00	12.500
444TC-445TC	21.00	11.00	9.00	1.12	.81	3.25	5.25	1.25	23.38	25.25	3.25	3	22.19	17.44	6.00	7.50	2.51	16.75	5/8-11	.94	14.00	16.000

FRAME	C	BS	B	2F	(4) 2F	N	NI	N-W(7)	U(3)	V	SG	LGTH	WEIGHT
SIZE													LBSS. (5)
254TC	25.06	5.00	12.00	---	8.25	4.06	3.75	4.00	1.625	3.75	3.75	2.88	345
284TC	29.06	5.00	12.00	10.00	---	4.06	3.75	4.00	1.625	3.75	3.75	2.88	395
324TC	33.06	5.50	13.00	---	9.50	5.00	4.38	4.62	1.875	4.38	5.00	3.25	485
364TC	36.06	5.50	13.00	---	9.50	5.00	4.38	4.62	1.875	4.38	5.00	3.25	500
404TC	40.06	6.00	14.75	---	10.50	5.62	5.00	5.25	2.125	5.00	5.00	3.88	605
444TC	44.06	6.00	14.75	---	10.50	5.62	5.00	5.25	2.125	5.00	5.00	3.88	645
324TC	36.44	6.12	13.00	---	11.25	6.25	3.62	3.88	2.375	3.62	6.25	4.25	890
364TC	39.44	6.12	13.00	---	11.25	6.25	3.62	3.88	2.375	3.62	6.25	4.25	904
365TC	39.44	6.12	13.00	---	11.25	6.25	3.62	3.88	2.375	3.62	6.25	4.25	905
404TC	38.31	6.88	16.00	---	12.25	7.50	4.00	4.25	2.615	4.00	7.50	5.62	1269
405TC	38.31	6.88	16.00	---	12.25	7.50	4.00	4.25	2.615	4.00	7.50	5.62	1308
403TC	38.31	6.88	16.00	13.75	---	7.50	4.00	4.25	2.615	4.00	7.50	5.62	1296
443TC	40.82	8.25	19.00	---	14.50	8.50	4.50	4.75	3.125	4.50	8.25	6.88	1722
444TC	40.82	8.25	19.00	---	14.50	8.50	4.50	4.75	3.125	4.50	8.25	6.88	1765
445TC	40.82	8.25	19.00	---	14.50	8.50	4.50	4.75	3.125	4.50	8.25	6.88	1805
443TC	40.88	8.25	19.00	---	14.50	8.50	4.50	4.75	3.125	4.50	8.25	6.88	1912

- (1) SPECIAL DIMENSIONS APPLYING TO THIS ORDER ON THIS LINE.
- (2) "D" VARIES  $\frac{1}{2}$  250TC - 320TC +.00, -.03  
 $\frac{1}{2}$  360TC - 440TC +.00, -.06.
- (3) "U" VARIES  $\frac{1}{2}$  HP TO 1.625 DIA. +.000, -.005  
 $\frac{1}{2}$  HP25 AND LARGER +.000, -.001.
- (4) ALL FRAMES HAVE EIGHT MOUNTING HOLES FOR DUAL MOUNTING.
- (5) MOTOR WEIGHTS MAY VARY BY 15% DEPENDING UPON RATING.
- (6) "AK" VARIES  $\frac{1}{2}$  250TC - 280TC +.000, -.003  
 $\frac{1}{2}$  320TC - 440TC +.000, -.005.
- (7) "N-W" VARIES +.00, -.25.

CONDUIT BOX LOCATED ON OPPOSITE SIDE WHEN F-2-W-1,  
 W-4-W-7, OR C-1 MOUNTING IS SPECIFIED.  
 IF MOUNTING CLEARANCE DETAILS ARE REQUIRED, CONSULT  
 FACTORY.  
 MAXIMUM PERMISSIBLE SHAFT RUNOUT WHEN MEASURED  
 AT END OF STD. SHAFT EXTENSION IS .002 T.I.R. UP TO  
 AND INCLUDING 1.625 DIA. AND .003 T.I.R. 1.625 DIA.  
 TO 5 INCH DIA.  
 FACE RUNOUT AND  $\frac{1}{2}$  250TC - 280TC INCL. .004 MAX. T.I.R.  
 $\frac{1}{2}$  320TC - 440TC INCL. .007 MAX. T.I.R.

FRAME \_\_\_\_\_ TYPE \_\_\_\_\_ CERTIFIED FOR \_\_\_\_\_  
 ORDER \_\_\_\_\_ ITEM \_\_\_\_\_ HP \_\_\_\_\_ RPM \_\_\_\_\_ PH \_\_\_\_\_ HZ \_\_\_\_\_ VOLTS \_\_\_\_\_  
 SALES ORDER \_\_\_\_\_ APPROVED BY \_\_\_\_\_ DATE \_\_\_\_\_

IHS-503-0471119

CUSTOMER IS RESPONSIBLE FOR DETERMINING THAT MOTOR PERFORMANCE IS SUITABLE IN THE APPLICATION.

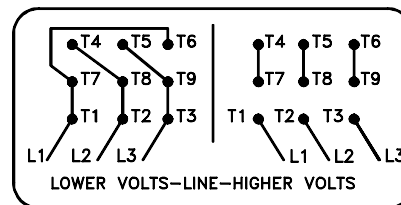
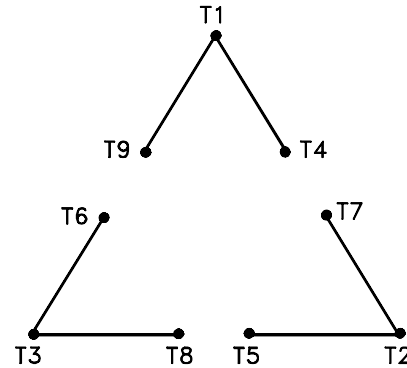
REV. DESC: REMOVING TITLEBLOCK	VERSION: 01	TDR: 000000448517
REV. LTR: A	REVISED: 14:21:04 11/07/2007	BY: CONBPM
FILE: \RAG\00004\530		
MTL: -		



DIM SHT 250TC-440TC TEFC FT MTG C FACE T & TS SGL EXT XT

416820-002

A-C MOTOR  
 CONNECTION DIAGRAM  
 STANDARD 9 LEAD DELTA-CONNECTED



(N.P. 1575-B)

416820-002

REV. DESC: LOADED TO BUS, C/R 335225		
REV. LTR: -	VERSION: 00	TDR: 000000538207
FILE: \MGA\00000\661	REVISED: 10:47:51 04/30/2010	
MTL: -	BY: RAGRA	

**BALDOR**

CONN DIAG - STANDARD 9 LEAD, DELTA-CONNECTED

SH 1 of 1

Marketing maintained PDF of MN408:

<http://www.baldor.com/support/Literature/Load.ashx/MN408?ManNumber=MN408>

Marketing maintained PDF of MN416:

<http://www.baldor.com/support/Literature/Load.ashx/MN416?ManNumber=MN416>