

BALDOR® • RELIANCE 

Product Information Packet

CECP83584T-4

1.5HP, 1760RPM, 3PH, 60HZ, 145TC, 0530M, TEFC

Part Detail							
Revision:	X	Status:	PRD/A	Change #:		Proprietary:	No
Type:	AC	Elec. Spec:	05WG812	CD Diagram:	CD0006	Mfg Plant:	
Mech. Spec:	05E943	Layout:	05LYE943	Poles:	04	Created Date:	02-10-2009
Base:	RG	Eff. Date:	02-02-2017	Leads:	3#18		

Specs			
Catalog Number:	CECP83584T-4	Inverter Code:	Inverter Duty
Enclosure:	TEFC	KVA Code:	L
Frame:	145TC	Lifting Lugs:	Standard Lifting Lugs
Frame Material:	Iron	Locked Bearing Indicator:	Locked Bearing
Output @ Frequency:	1.500 HP @ 60 HZ	Motor Lead Quantity/Wire Size:	3 @ 18 AWG
Synchronous Speed @ Frequency:	1800 RPM @ 60 HZ	Motor Lead Exit:	Ko Box
Voltage @ Frequency:	460.0 V @ 60 HZ	Motor Lead Termination:	Flying Leads
XP Class and Group:	CLI GP A,B,C,D	Motor Type:	0530M
XP Division:	Division II	Mounting Arrangement:	F1
Agency Approvals:	UR	Power Factor:	76
	CSA EEV	Product Family:	Chem Process S/P 32-8 IEEE 841
	CSA	Pulley End Bearing Type:	Ball
Auxillary Box:	No Auxillary Box	Pulley Face Code:	Standard
Auxillary Box Lead Termination:	None	Pulley Shaft Indicator:	Standard
Base Indicator:	Rigid	Rodent Screen:	None
Bearing Grease Type:	Polyrex EM (-20F +300F)	Shaft Extension Location:	Pulley End
Blower:	None	Shaft Ground Indicator:	No Shaft Grounding
Constant Torque Speed Range:	1.3	Shaft Rotation:	Reversible

Current @ Voltage:	2.100 A @ 460.0 V	Shaft Slinger Indicator:	Shaft Slinger
Design Code:	B	Speed Code:	Single Speed
Drip Cover:	No Drip Cover	Motor Standards:	NEMA
Duty Rating:	CONT	Starting Method:	Direct on line
Electrically Isolated Bearing:	Not Electrically Isolated	Thermal Device - Bearing:	NONE (OLD)
Feedback Device:	NO FEEDBACK	Thermal Device - Winding:	None
Front Face Code:	Standard	Vibration Sensor Indicator:	No Vibration Sensor
Front Shaft Indicator:	None	Winding Thermal 1:	None
Heater Indicator:	No Heater	Winding Thermal 2:	None
Insulation Class:	F	XP Temp Code:	T4

Nameplate NP3235E											
CAT.NO.	CECP83584T-4										
SPEC.	05E943W812G1										
HP	1.5	TE						IP	56		
VOLTS	460										
AMP	2.1										
RPM	1760										
FRAME	145TC					HZ	60				
SER.F.	1.15			CODE	L	DES	B			PH	3
RATING	40C AMB-CONT									CL	F
SN											
DE	6205					ODE	6205				
NEMA-NOM-EFF	88.5			PF	76						
G.MIN.EFF	86.5			CC	010A						
T. CODE	T4			T=	135						

Nameplate NP3186E

SPEC.	05E943W812G1		
D.E. BRG.	25BC02X30X		
O.D.E. BRG.	25BC02X30X		
GREASE	POLYREX EM		
WEIGHT	62	# OF ROTOR BARS	28
RPM MAX	2700	MAX. KVAR	.47
BLANK			
INV.TYPE	PWM		# OF STATOR SLOTS 36
T=	135		
C HP FR	60	C HP TO	90
CT HZ FROM	1.3	CT HZ TO	60
VT HZ FROM	0-	VT HZ TO	60
HTR-VOLTS	N/A	HTR-AMPS	N/A
HTR-WATTS			
		MAX. SPACE HEATER TEMP.	N/A

Parts List		
Part Number	Description	Quantity
SA179422	SA 05E943W812G1	1.000 EA
RA167434	RA 05E943W812G1	1.000 EA
34FN3002B01	EXTERNAL FAN, PLASTIC, .637/.639 HUB W/	1.000 EA
HW3201A05	3/8-16 EYEBOLT	1.000 EA
06CB1001A01G	CONDUIT BOX, MACH GRAY	1.000 EA
RM1016	LEAD SEPARATOR GASKET - 305/306 C.P.MOTO	1.000 EA
51XW2520A12	SCREW, HEX SER SLT HD, ZN, 1/4-20 X .75	2.000 EA
11XW1032G06	10-32 X .38, TAPTITE II, HEX WSHR SLTD U	1.000 EA
HW3001B01	BRASS CUP WASHER, FOR #10 SCREW	1.000 EA
10XN2520S06	1/4 20X3/8 HX HD CAP S.S.	1.000 EA
WD1000B16	T&B CX70TN TERMINAL	1.000 EA
05EP1100A02G	FREP TEFC 205,GRSR,RLF,DRAIN FITTING,INP	1.000 EA
HW4601B22	INPRO SEAL, 205 BRG, MINI66	1.000 EA
HW4500A01	1641B(ALEMITE)400 UNIV, GREASE FITT	1.000 EA
HA4051A00	PLASTIC CAP FOR GREASE FITTING	1.000 EA
HW4500A17	317400 ALEMITE GREASE RELIEF	1.000 EA
HA4010A01	T-DRAIN PLUG,416 S.S.,W/ 1/4-28 THD & .0	1.000 EA
51XN1032A20	10-32 X 1 1/4 HX WS SL SR	2.000 EA
HW5100A05	WVY WSHR F/205 & 304 BRGS	1.000 EA
35EP1329A32G	EP ENCL 205 BRG,GRSR,RLF,NPT DRAIN,INPRO	1.000 EA
HW4601B22	INPRO SEAL, 205 BRG, MINI66	1.000 EA
HW4500A01	1641B(ALEMITE)400 UNIV, GREASE FITT	1.000 EA
HA4051A00	PLASTIC CAP FOR GREASE FITTING	1.000 EA
HW4500A17	317400 ALEMITE GREASE RELIEF	1.000 EA

Parts List (continued)		
Part Number	Description	Quantity
HA4010A01	T-DRAIN PLUG,416 S.S.,W/ 1/4-28 THD & .0	1.000 EA
51XN1032A20	10-32 X 1 1/4 HX WS SL SR	2.000 EA
HA3100A28	THRUBOLT 10-32 X 8.187	4.000 EA
35FH1000A19G	35FH1000A19 W/GRAY FLUIDIZ	1.000 EA
10XN2520A16	1/4-20 X 1 HEX HEAD CAP SCR, ZINC PLATED	3.000 EA
HW1001A25	LOCKWASHER 1/4, ZINC PLT .493 OD, .255 I	3.000 EA
WD4100A03	DE-750 HEYCO PLUG 62MP0750 MICRO PLASTIC	1.000 EA
06CB1503A01G	LIPPED CONDUIT BOX LID, MACH GRAY EPOXY	1.000 EA
06GS1009	GASKET, KOBX LID, 1/8" THICK BLACK NEOPR	1.000 EA
10XN2520A12	O1/4-20X 3/4 HEX HEAD CAP	2.000 EA
HW1001A25	LOCKWASHER 1/4, ZINC PLT .493 OD, .255 I	2.000 EA
HW2501D13	KEY, 3/16 SQ X 1.375	1.000 EA
HA7000A01	KEY RETAINER 7/8" DIA SHAFT	1.000 EA
MJ5004A59	ADHESIVE LOCTITE #401 SURFACE INSENSITIV	0.010 EA
MJ5001A27	32220KN GRAY SEALER *MIN BUY 4 QTS=1GAL	0.001 QT
MJ1000A73	INPRO P-80 ASSEMBLY LUB./ 1 QT. CONTAIN	0.001 QT
85XU0407S04	4X1/4 U DRIVE PIN STAINLESS	4.000 EA
LB1115N	LABEL,LIFTING DEVICE (ON ROLLS)	1.000 EA
LT0019A00	MOTOR NO-LOAD PERFORMANCE DATA SHEET	1.000 EA
HA4051A00	PLASTIC CAP FOR GREASE FITTING	2.000 EA
WD1000D21	TRM,T&B #B71M,RING,18-14,.25,NON-INSL	3.000 EA
MJ1000A02	GREASE, POLYREX EM EXXON (USe 4824-15A)	0.050 LB
MG1025N19	WILKOFASST, 778.50, RELIANCE BLUE-GREEN	0.022 GA
LB1119N	WARNING LABEL	1.000 EA

Product Information Packet: CECP83584T-4 - 1.5HP,1760RPM,3PH,60HZ,145TC,0530M,TEFC

LC0006	CONNECTION LABEL	1.000 EA
LB1449	DIV-2/NEC WARNING LABEL	1.000 EA
NP3235E	SS IEEE841 DIV-2 UL CSA-C US EEV PREM	1.000 EA
NP3186E	SS IEEE841 INV AUX DATA INFORMATION	1.000 EA
36PA1000	PKG GRP, PRINT PK1016A06	1.000 EA
MN416A01	TAG-INSTAL-MAINT no wire (1200/bx) 5/18	1.000 EA

AC Induction Motor Performance Data

Record # 47111 - Typical performance - not guaranteed values

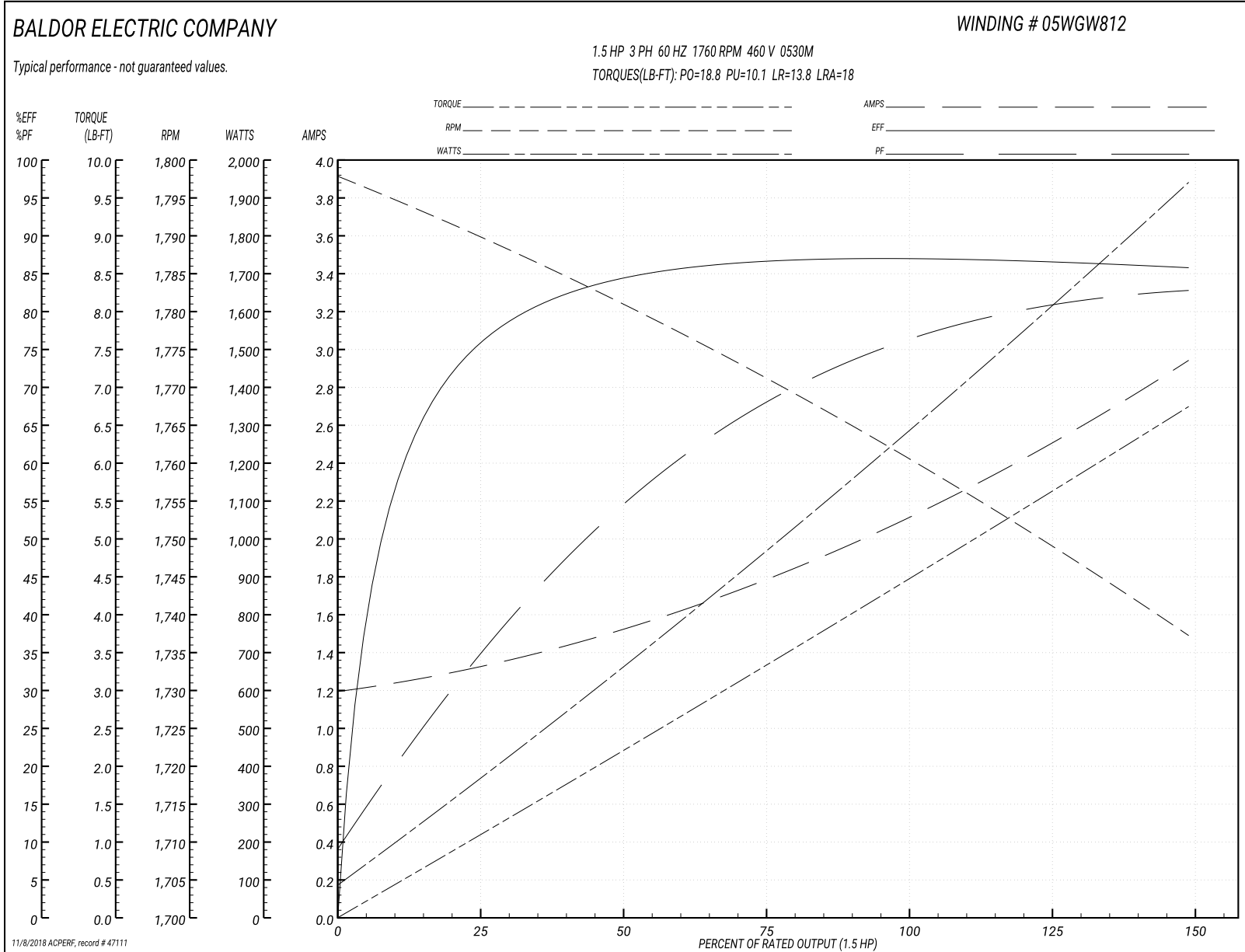
Winding: 05WGW812-R045	Type: 0530M	Enclosure: TEFC
-------------------------------	--------------------	------------------------

Nameplate Data				460 V, 60 Hz: Single Voltage Motor	
Rated Output (HP)	1.5			Full Load Torque	4.49 LB-FT
Volts	460			Start Configuration	direct on line
Full Load Amps	2.1			Breakdown Torque	18.8 LB-FT
R.P.M.	1760			Pull-up Torque	10.1 LB-FT
Hz	60	Phase	3	Locked-rotor Torque	13.8 LB-FT
NEMA Design Code	B	KVA Code	L	Starting Current	18 A
Service Factor (S.F.)	1.15			No-load Current	1.21 A
NEMA Nom. Eff.	88.5	Power Factor	76	Line-line Res. @ 25°C	9.17 Ω
Rating - Duty	40C AMB-CONT			Temp. Rise @ Rated Load	31°C
S.F. Amps				Temp. Rise @ S.F. Load	36°C
				Locked-rotor Power Factor	47.8
				Rotor inertia	0.177 LB-FT ²

Load Characteristics 460 V, 60 Hz, 1.5 HP

% of Rated Load	25	50	75	100	125	150	S.F.
Power Factor	35	55	67	76	80	83	78
Efficiency	74.7	84.1	86.3	87.5	86.8	85.7	88.3
Speed	1790	1781	1772	1760	1750	1737	1755
Line amperes	1.3	1.51	1.78	2.12	2.51	2.93	2.33

Performance Graph at 460V, 60Hz, 1.5HP Typical performance - Not guaranteed values



AC Induction Motor Performance Data

Record # 72726 - Typical performance - not guaranteed values

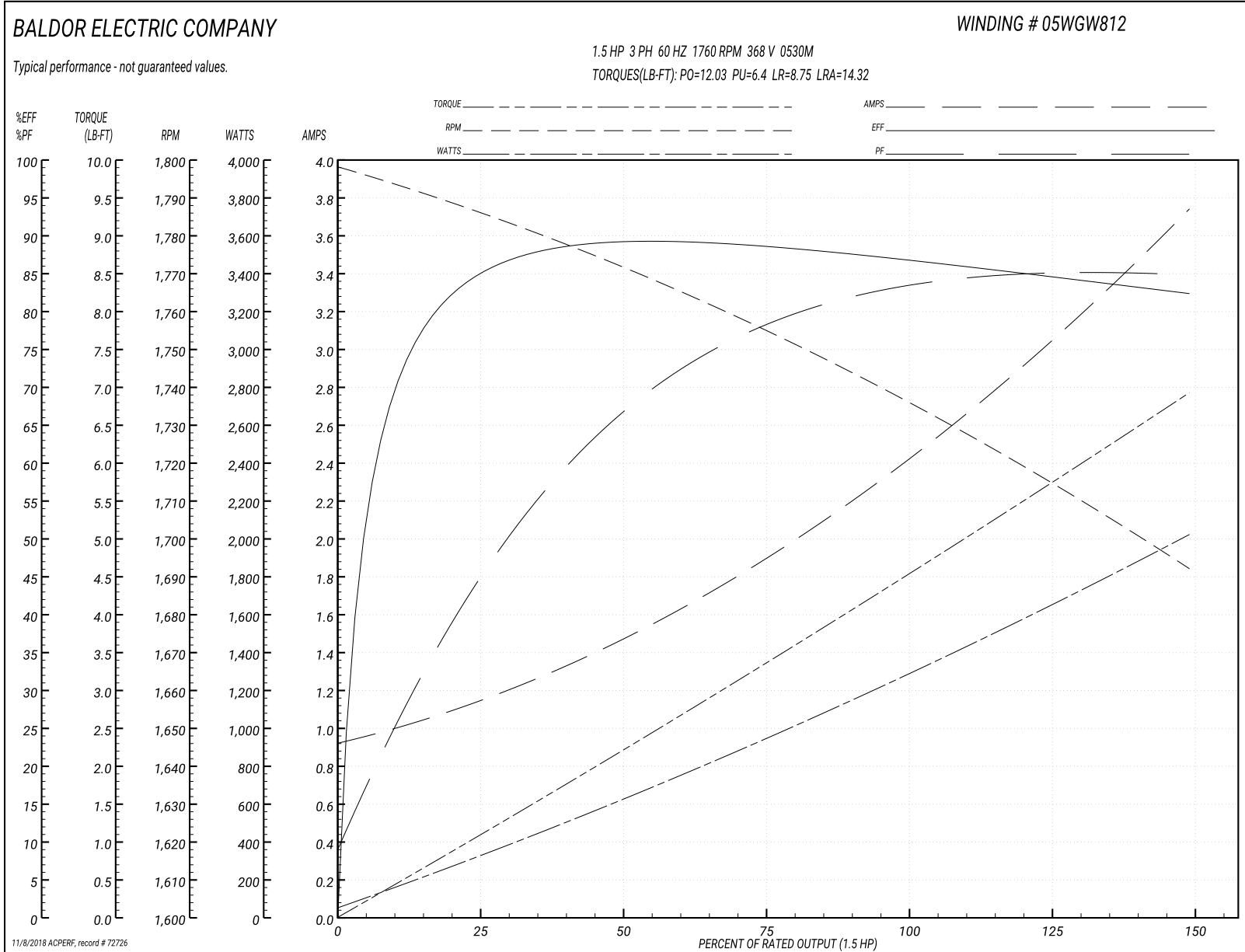
Winding: 05WGW812-R045	Type: 0530M	Enclosure: TEFC
-------------------------------	--------------------	------------------------

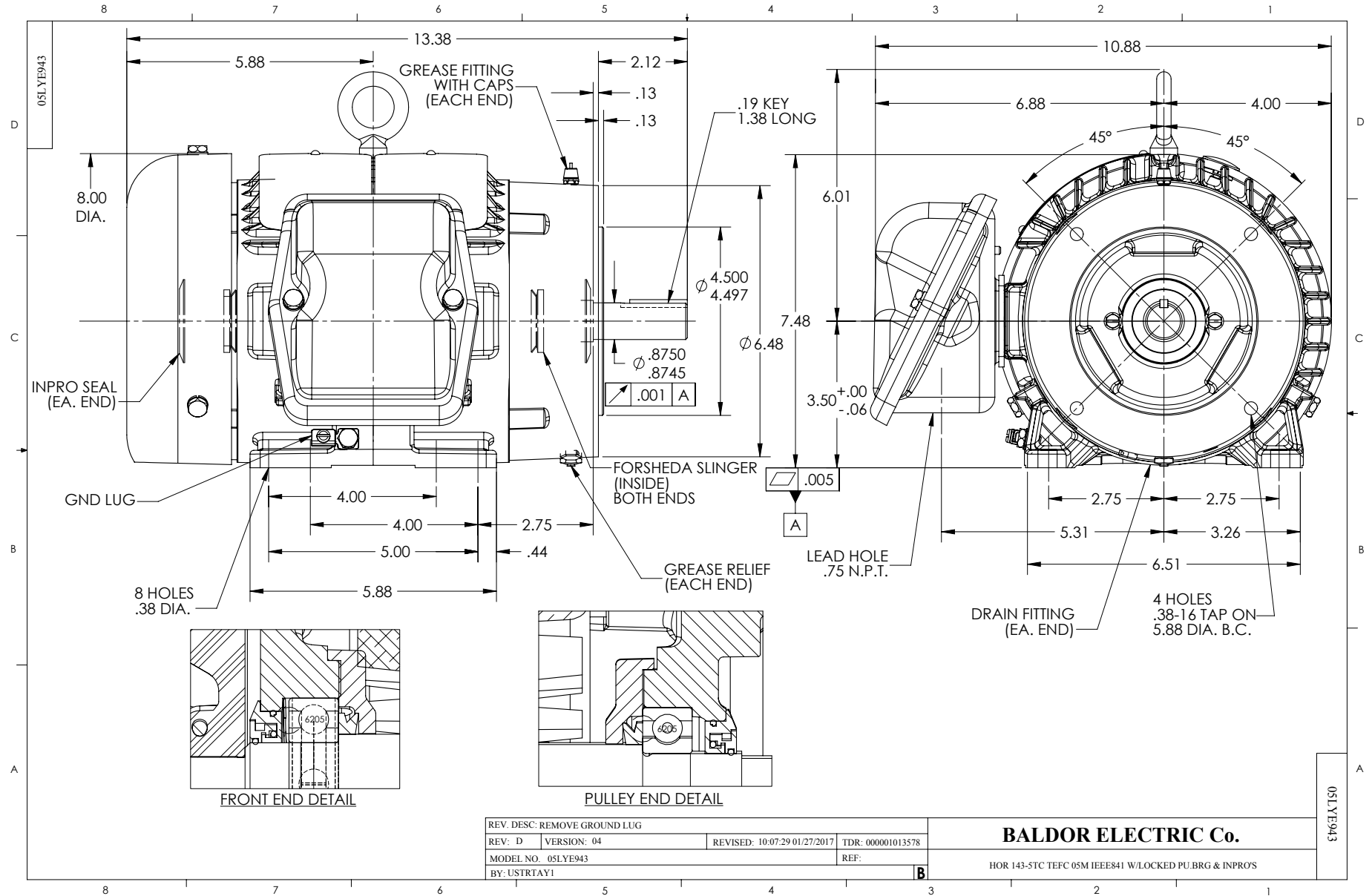
Nameplate Data				368 V, 60 Hz: Single Voltage Motor	
Rated Output (HP)	1.5			Full Load Torque	4.55 LB-FT
Volts	460			Start Configuration	direct on line
Full Load Amps	2.1			Breakdown Torque	12.03 LB-FT
R.P.M.	1760			Pull-up Torque	6.4 LB-FT
Hz	60	Phase	3	Locked-rotor Torque	8.75 LB-FT
NEMA Design Code	B	KVA Code	L	Starting Current	14.32 A
Service Factor (S.F.)	1.15			No-load Current	0.947 A
NEMA Nom. Eff.	88.5	Power Factor	76	Line-line Res. @ 25°C	9.17 Ω
Rating - Duty	40C AMB-CONT			Temp. Rise @ Rated Load	35°C
S.F. Amps				Temp. Rise @ S.F. Load	45°C
				Locked-rotor Power Factor	47.8
				Rotor inertia	0.177 LB-FT ²

Load Characteristics 368 V, 60 Hz, 1.5 HP

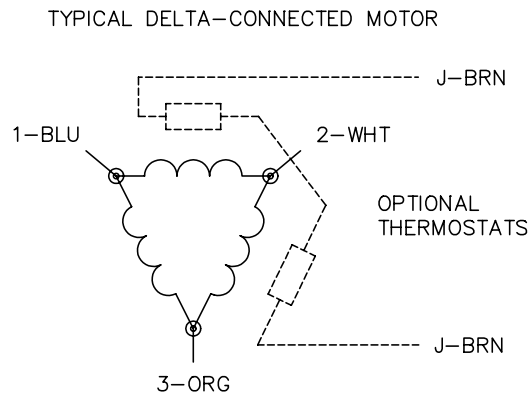
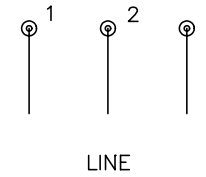
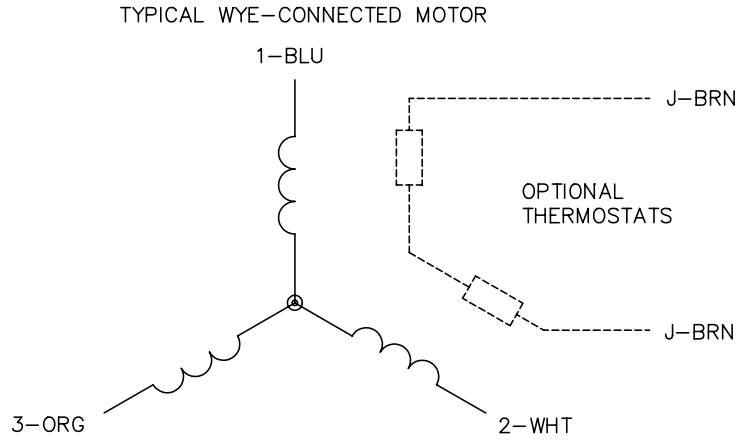
% of Rated Load	25	50	75	100	125	150	S.F.
Power Factor	46	68	77	83	84	85	84
Efficiency	83	88.4	88.2	87.5	84.9	82	85.9
Speed	1786	1771	1756	1736	1717	1691	1725
Line amperes	1.1	1.45	1.9	2.43	3.04	3.73	2.8

Performance Graph at 368V, 60Hz, 1.5HP Typical performance - Not guaranteed values





CD0006



NOTES:

1. THREE LEAD MOTOR MAY BE EITHER WYE CONNECTED OR DELTA CONNECTED.
2. INTERCHANGE ANY TWO LINE LEADS TO REVERSE ROTATION.
3. OPTIONAL THERMOSTATS ARE PROVIDED WHEN SPECIFIED.
4. ACTUAL NUMBER OF INTERNAL PARALLEL CIRCUITS MAY VARY.
5. LEAD COLORS ARE OPTIONAL. LEADS MUST BE NUMBERED AS SHOWN.

REV. DESC: REVISE TO SHOW OPTIONAL COLORS			
REV. LTR: D	BY: JLP	REVISED: 01/21/99 4:02	TDR: 0171435
9000D		FILE: AAA00005141	MDL: -
		MTL: -	

BALDOR ELECTRIC Co.

3PH, SV, 3 LEADS, WYE OR DELTA CONNECTED

CD0006