

37LYB102

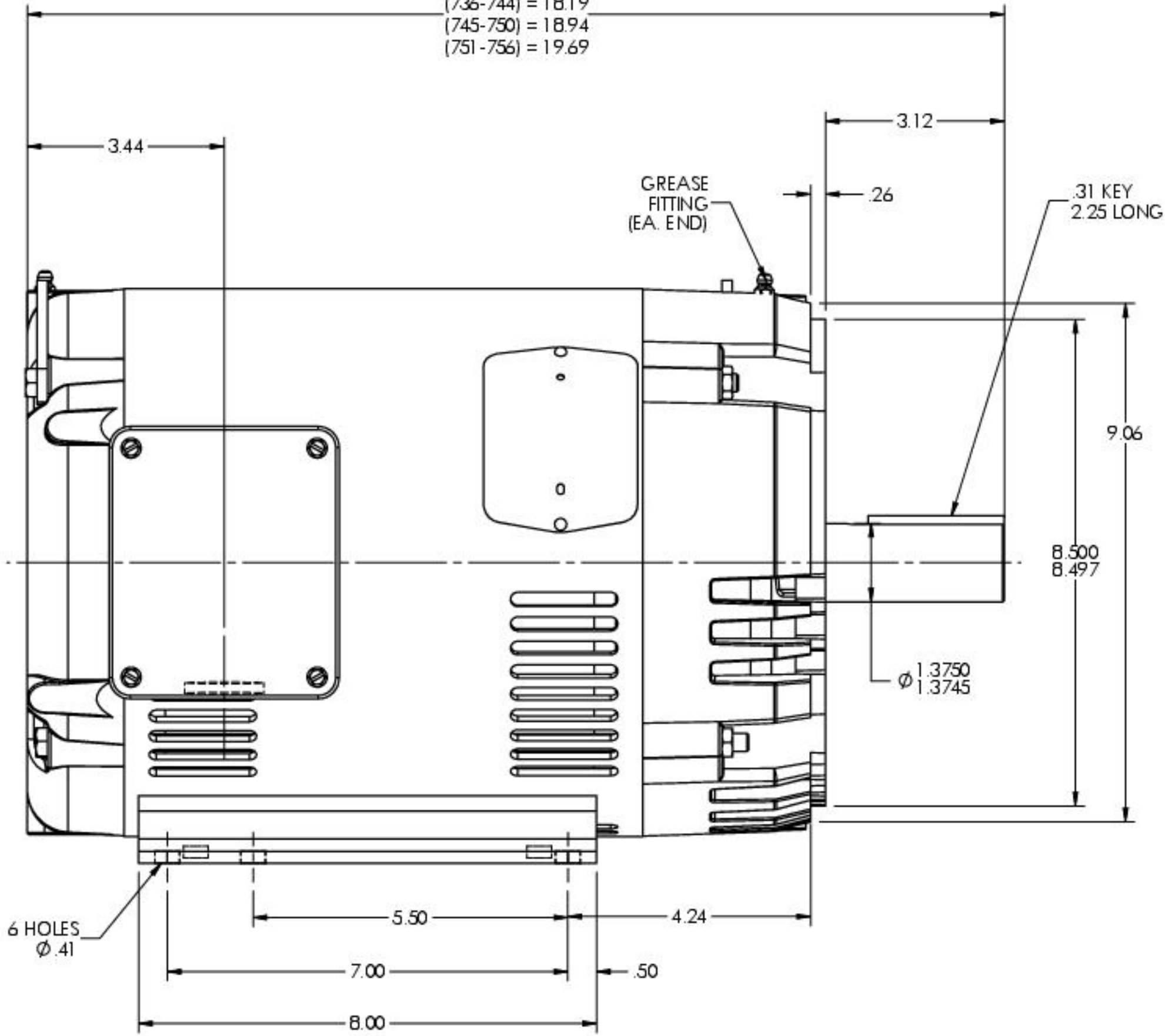
D

C

B

A

(717-735) = 17.07
(736-744) = 18.19
(745-750) = 18.94
(751-756) = 19.69

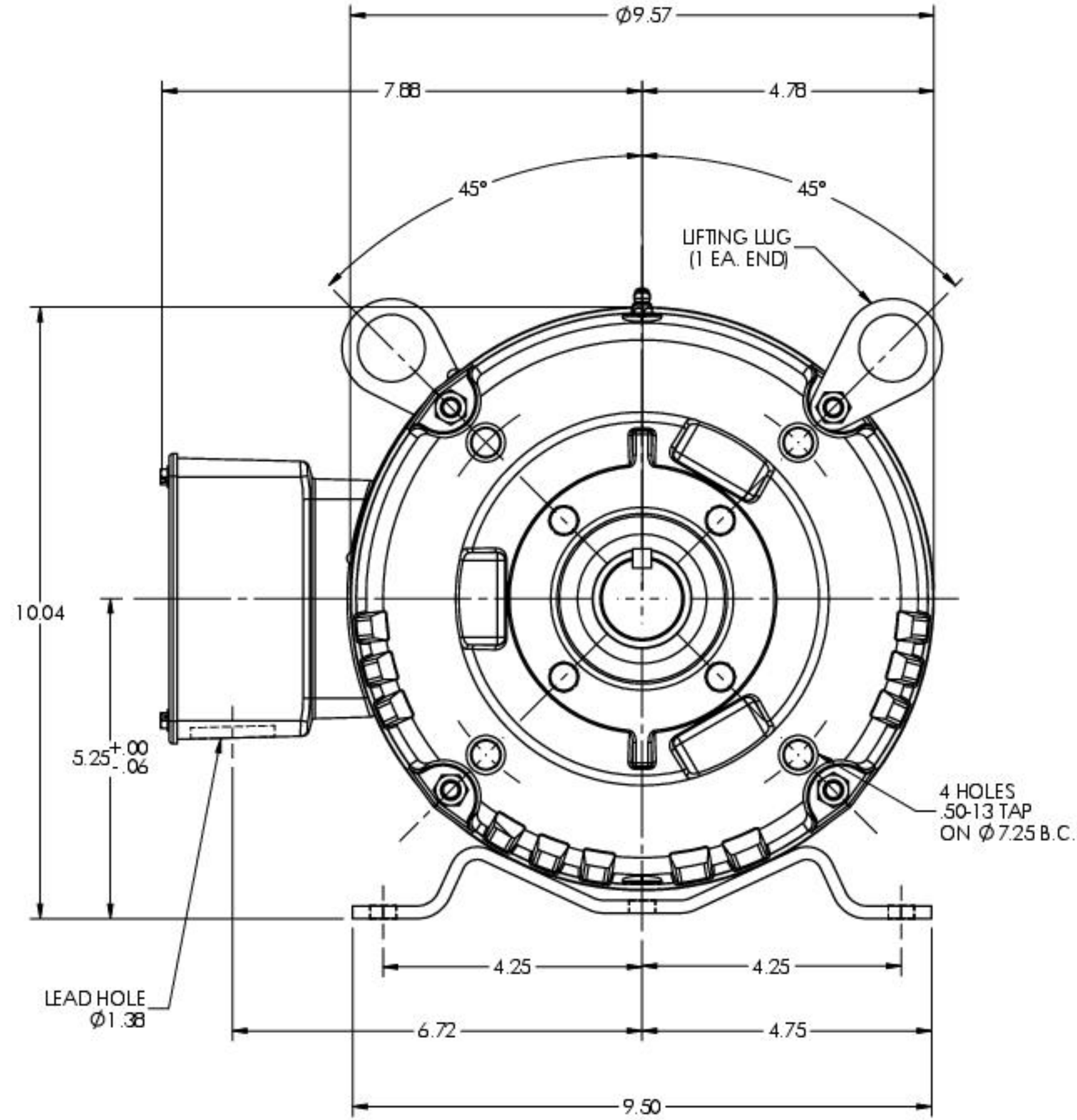


D

C

B

A



CUSTOMER IS RESPONSIBLE FOR DETERMINING THAT BALDOR'S PRODUCT WILL PERFORM SUITABLY IN THE INTENDED APPLICATION

REV. DESC: LOAD DRAWING TO SOLIDWORKS			
REV: G	VERSION: 03	REVISED: 11:46:39 06/13/2022	TDR: 000001192277
MODEL NO. 37LYB102			REF: -
BY: ENALEMO			B

BALDOR

STD HORZ 213-STC OPSB 37M

37LYB102

8 7 6 5 4 3 2 1