



---

# Customer information packet

## CEM3661T-5

3HP, 1755RPM, 3PH, 60HZ, 182TC, 0632M, TEFC, F1

Class - None

Division - Not Applicable

## Specifications

|                                |   |
|--------------------------------|---|
| Enclosure                      | TEFC  |
| Frame                          | 182TC   |
| Frame Material                 | Iron  |
| Frequency                      | 60.00 Hz  |
| Haz Area Class and Group       | None  |
| Haz Area Division              | Not Applicable  |
| Motor Letter Type              | Three Phase   |
| Output @ Frequency             | 3.000 HP @ 60 HZ  |
| Phase                          | 3   |
| Synchronous Speed @ Frequency  | 1800 RPM @ 60 HZ  |
| Voltage @ Frequency            | 575.0 V @ 60 HZ   |
| Agency Approvals               | CURUSEEV<br>NEMA PREMIUM<br>NEMA_PREMIUM<br>UR<br>CSA EEV |
| Ambient Temperature            | 40 °C   |
| Auxillary Box                  | No Auxillary Box  |
| Auxillary Box Lead Termination | None  |
| Base Indicator                 | Rigid   |
| Bearing Grease Type            | Polyrex EM (-20F +300F)                                   |
| Blower                         | None  |
| Current @ Voltage              | 3.300 A @ 575.0 V   |
| Design Code                    | B   |
| Drip Cover                     | No Drip Cover   |
| Duty Rating                    | CONT  |
| Efficiency @ 100% Load         | 89.5 %  |
| Electrically Isolated Bearing  | Not Electrically Isolated                                 |
| Feedback Device                | NO FEEDBACK   |
| Front Face Code                | Standard  |
| Front Shaft Indicator          | None  |
| Heater Indicator               | No Heater   |

## Part detail

|              |            |
|--------------|------------|
| Revision     | N          |
| Type         | AC         |
| Mech. spec.  | 06F057     |
| Base         |            |
| Status       | PRD/A      |
| Elec. spec.  | 06WGX319   |
| Layout       | 06LYF057   |
| Eff. date    | 02-26-2025 |
| CD Diagram   | CD0006     |
| Poles        | 04         |
| Leads        | 3#16       |
| Proprietary  | False      |
| Created date | 10-10-2011 |

|                               |                       |
|-------------------------------|-----------------------|
| High Voltage Full Load Amps   | 3.3 a                 |
| Insulation Class              | F                     |
| Inverter Code                 | Inverter Ready        |
| KVA Code                      | J                     |
| Lifting Lugs                  | Standard Lifting Lugs |
| Locked Bearing Indicator      | Locked Bearing        |
| Motor Lead Exit               | Ko Box                |
| Motor Lead Quantity/Wire Size | 3 @ 16 AWG            |
| Motor Lead Termination        | Flying Leads          |
| Motor Standards               | NEMA                  |
| Motor Type                    | 0632M                 |
| Mounting Arrangement          | F1                    |
| Number of Poles               | 4                     |
| Overall Length                | 15.98 IN              |
| Power Factor                  | 77                    |
| Product Family                | General Purpose       |
| Pulley End Bearing Type       | Ball                  |
| Pulley Face Code              | C-Face                |
| Pulley Shaft Indicator        | Standard              |
| Rodent Screen                 | None                  |
| Service Factor                | 1.15                  |
| Shaft Diameter                | 1.125 IN              |
| Shaft Extension Location      | Pulley End            |
| Shaft Ground Indicator        | No Shaft Grounding    |
| Shaft Rotation                | Reversible            |
| Shaft Slinger Indicator       | No Slinger            |
| Speed                         | 1755 rpm              |
| Speed Code                    | Single Speed          |
| Starting Method               | Direct on line        |
| Thermal Device - Bearing      | None                  |
| Thermal Device - Winding      | None                  |
| Vibration Sensor Indicator    | No Vibration Sensor   |
| Winding Thermal 1             | None                  |
| Winding Thermal 2             | None                  |

**Nameplate**

| <b>NP3441L</b>                   |              |             |            |            |   |           |   |  |  |
|----------------------------------|--------------|-------------|------------|------------|---|-----------|---|--|--|
| <b>CAT.NO.</b>                   | CEM3661T-5   |             |            |            |   |           |   |  |  |
| <b>SPEC.</b>                     | 06F057X319G1 |             |            |            |   |           |   |  |  |
| <b>HP</b>                        | 3            |             |            |            |   |           |   |  |  |
| <b>VOLTS</b>                     | 575          |             |            |            |   |           |   |  |  |
| <b>AMP</b>                       | 3.3          |             |            |            |   |           |   |  |  |
| <b>RPM</b>                       | 1755         |             |            |            |   |           |   |  |  |
| <b>FRAME</b>                     | 182TC        |             | <b>HZ</b>  | 60         |   | <b>PH</b> | 3 |  |  |
| <b>SER.F.</b>                    | 1.15         | <b>CODE</b> | J          | <b>DES</b> | B | <b>CL</b> | F |  |  |
| <b>NEMA-NOM-EFF</b>              | 89.5         | <b>PF</b>   | 77         |            |   |           |   |  |  |
| <b>RATING</b>                    | 40C AMB-CONT |             |            |            |   |           |   |  |  |
| <b>CC</b>                        | 010A         |             |            |            |   |           |   |  |  |
| <b>DE</b>                        | 6206         |             | <b>ODE</b> | 6205       |   |           |   |  |  |
| <b>ENCL</b>                      | TEFC         | <b>SN</b>   |            |            |   |           |   |  |  |
| <b>VPWM INVERTER READY</b>       |              |             |            |            |   |           |   |  |  |
| <b>CT6-60H(10:1)VT3-60H(20:1</b> |              |             |            |            |   |           |   |  |  |
|                                  | SFA 3.5      |             |            |            |   |           |   |  |  |

**AC Induction Motor Performance Data**

Record # 75292

Typical performance - not guaranteed values

| Winding: 06WGX319-R001 |                   | Type: 0632M  |   | Enclosure: TEFC |                          |
|------------------------|-------------------|--------------|---|-----------------|--------------------------|
| <b>Nameplate Data</b>  |                   |              | <b>460 V, 60 Hz:<br/>Single Voltage Motor</b> |                 |                          |
| Rated Output (HP)      |                   | 3            | Full Load Torque                              |                 | 9.17 LB-FT               |
| Volts                  |                   | 575          | Start Configuration                           |                 | direct on line           |
| Full Load Amps         |                   | 3.3          | Breakdown Torque                              |                 | 20.9 LB-FT               |
| R.P.M.                 |                   | 1755         | Pull-up Torque                                |                 | 11.4 LB-FT               |
| Hz                     | 60 Phase          | 3            | Locked-rotor Torque                           |                 | 12.71 LB-FT              |
| NEMA Design Code       | B KVA Code        | J            | Starting Current                              |                 | 18.81 A                  |
| Service Factor (S.F.)  |                   | 1.15         | No-load Current                               |                 | 1.29 A                   |
| NEMA Nom. Eff.         | 89.5 Power Factor | 77           | Line-line Res. @ 25°C                         |                 | 6.2 Ω                    |
| Rating - Duty          |                   | 40C AMB-CONT | Temp. Rise @ Rated Load                       |                 | 41°C                     |
| S.F. Amps              |                   |              | Temp. Rise @ S.F. Load                        |                 | 54°C                     |
|                        |                   |              | Locked-rotor Power Factor                     |                 | 41.1                     |
|                        |                   |              | Rotor inertia                                 |                 | 0.298 LB-FT <sup>2</sup> |

**Load Characteristics 460 V, 60 Hz, 3 HP**

| % of Rated Load | 25   | 50   | 75   | 100  | 125  | 150  | S.F. |
|-----------------|------|------|------|------|------|------|------|
| Power Factor    | 54   | 74   | 81   | 84   | 85   | 84   | 85   |
| Efficiency      | 86.9 | 89.6 | 89.6 | 88.1 | 86.2 | 83.1 | 87   |
| Speed           | 1785 | 1769 | 1753 | 1734 | 1711 | 1684 | 1720 |
| Line amperes    | 1.57 | 2.17 | 2.94 | 3.81 | 4.83 | 6.1  | 4.42 |

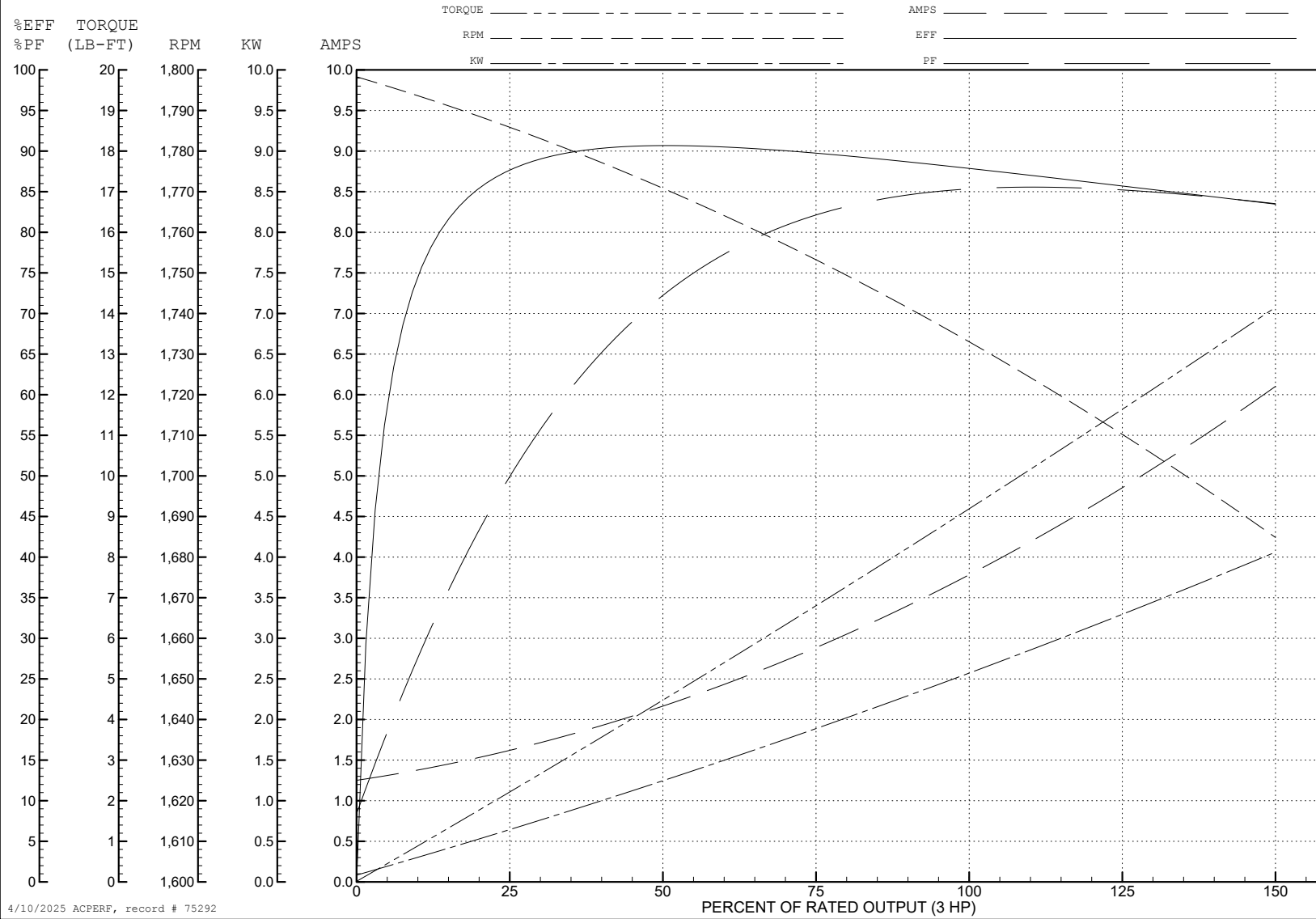
ABB Motors and Mechanical Inc.

WINDING # 06WGX319

3 HP 3 PH 60 HZ 1755 RPM 460 V 0632M

Typical performance - not guaranteed values.

TORQUES (LB-FT): PO=20.9 PU=11.4 LR=12.71 LRA=18.81



4/10/2025 ACPERF, record # 75292

**AC Induction Motor Performance Data**

Record # 84796

Typical performance - not guaranteed values

| <b>Winding: 06WGX319-R001</b> |          | <b>Type: 0632M</b>               |   | <b>Enclosure: TEFC</b> |  |
|-------------------------------|----------|----------------------------------|---|------------------------|--|
| <b>Nameplate Data</b>         |          |                                  | <b>575 V, 60 Hz:<br/>Single Voltage Motor</b> |                        |  |
| <b>Rated Output (KW)</b>      | 2.2      | <b>Full Load Torque</b>          | 12.21 N-M                                     |                        |  |
| <b>Volts</b>                  | 575      | <b>Start Configuration</b>       | direct on line                                |                        |  |
| <b>Full Load Amps</b>         | 3.3      | <b>Breakdown Torque</b>          | 28.35 N-M                                     |                        |  |
| <b>R.P.M.</b>                 | 1755     | <b>Pull-up Torque</b>            | 15.46 N-M                                     |                        |  |
| <b>Hz</b>                     | 60       | <b>Locked-rotor Torque</b>       | 17.23 N-M                                     |                        |  |
| <b>NEMA Design Code</b>       | B        | <b>Starting Current</b>          | 18.81 A                                       |                        |  |
| <b>Service Factor (S.F.)</b>  | 1.15     | <b>No-load Current</b>           | 1.29 A  |                        |  |
| <b>NEMA Nom. Eff.</b>         | 89.5     | <b>Line-line Res. @ 25°C</b>     | 6.2 Ω   |                        |  |
| <b>Rating - Duty</b>          | 40C      | <b>Temp. Rise @ Rated Load</b>   | 40°C  |                        |  |
| <b>S.F. Amps</b>              | AMB-CONT | <b>Temp. Rise @ S.F. Load</b>    | 48°C  |                        |  |
|                               |          | <b>Locked-rotor Power Factor</b> | 41.5  |                        |  |
|                               |          | <b>Rotor inertia</b>             | 0.0126 kg-m <sup>2</sup>                      |                        |  |

**Load Characteristics 575 V, 60 Hz, 2.2 KW**

| <b>% of Rated Load</b> | <b>25</b> | <b>50</b> | <b>75</b> | <b>100</b> | <b>125</b> | <b>150</b> | <b>S.F.</b> |
|------------------------|-----------|-----------|-----------|------------|------------|------------|-------------|
| <b>Power Factor</b>    | 43        | 59        | 65        | 67         | 68         | 67         | 68          |
| <b>Efficiency</b>      | 86.7      | 89.8      | 89.5      | 88.1       | 86.3       | 83.1       | 87          |
| <b>Speed</b>           | 1785      | 1769      | 1753      | 1735       | 1713       | 1685       | 1722        |
| <b>Line amperes</b>    | 1.56      | 2.16      | 2.91      | 3.76       | 4.75       | 6          | 4.35        |

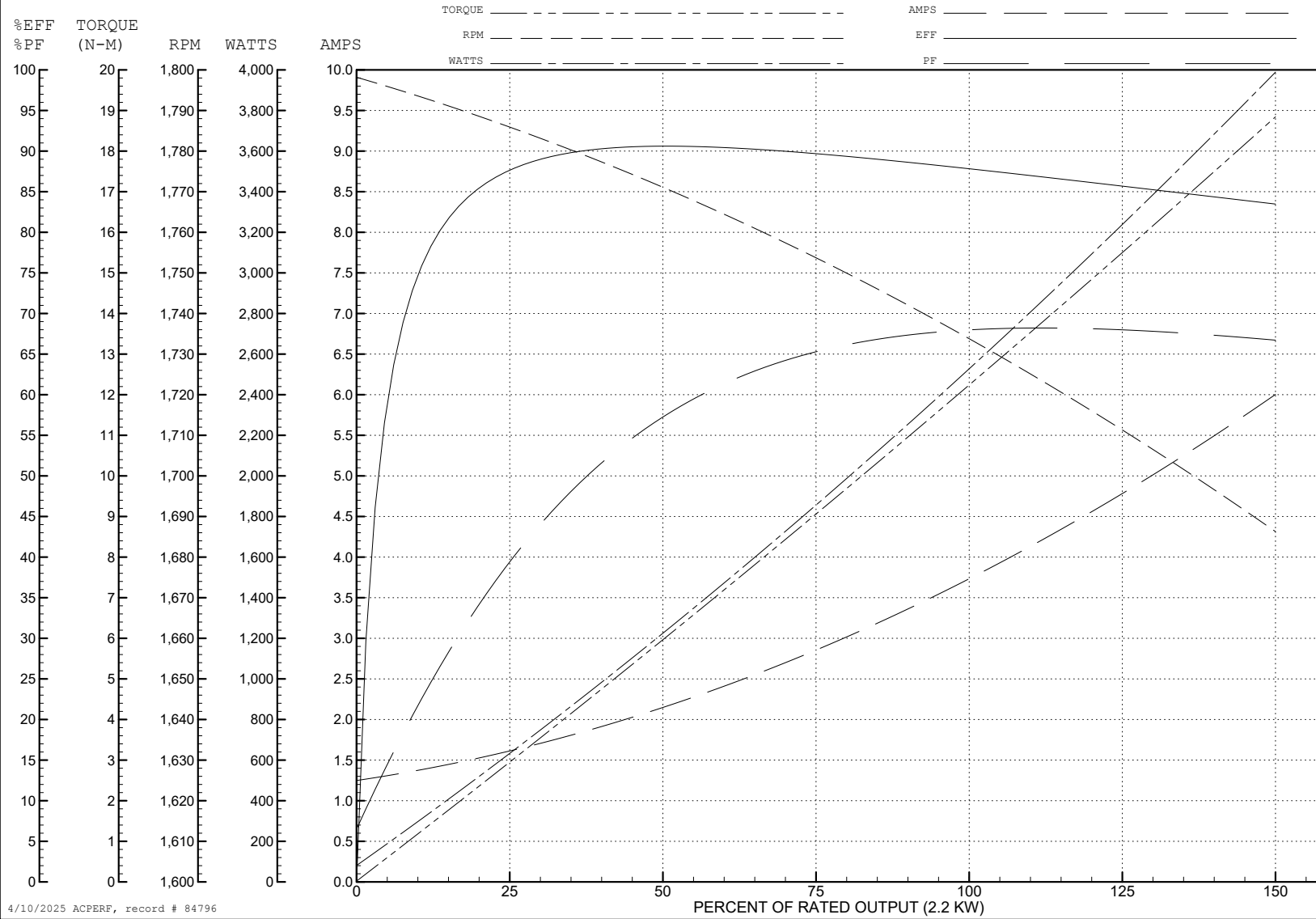
ABB Motors and Mechanical Inc.

WINDING # 06WGX319

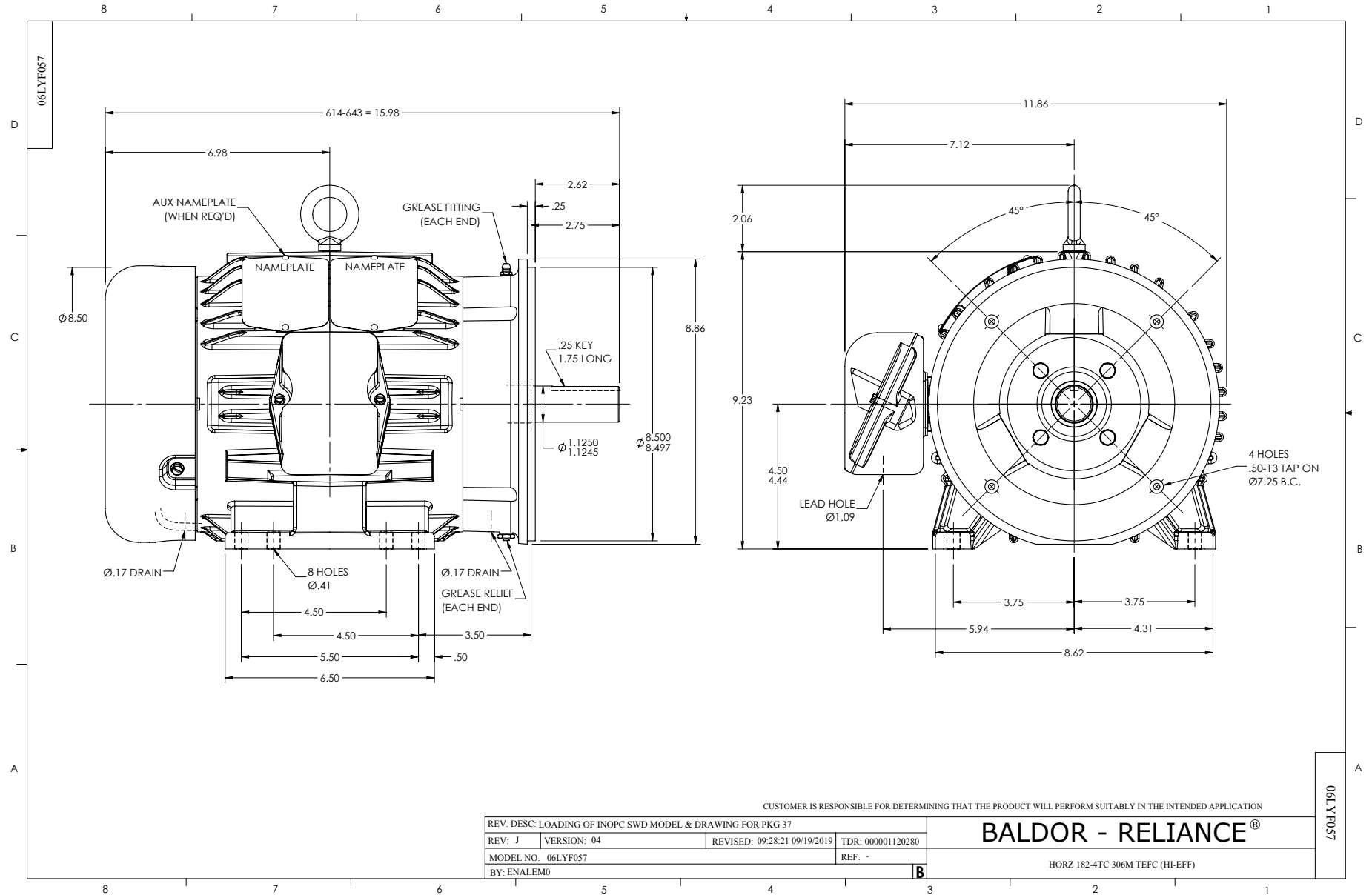
Typical performance - not guaranteed values.

2.2 KW 3 PH 60 HZ 1755 RPM 575 V 0632M

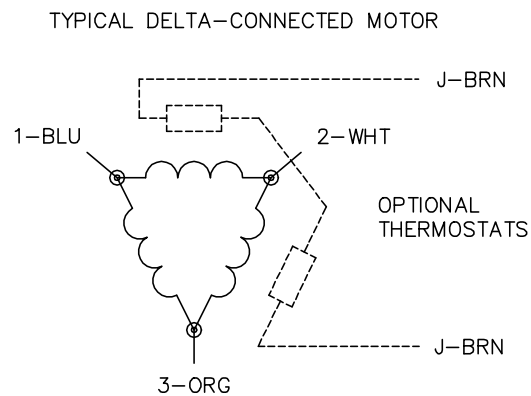
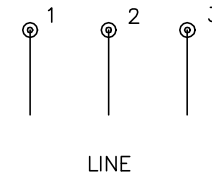
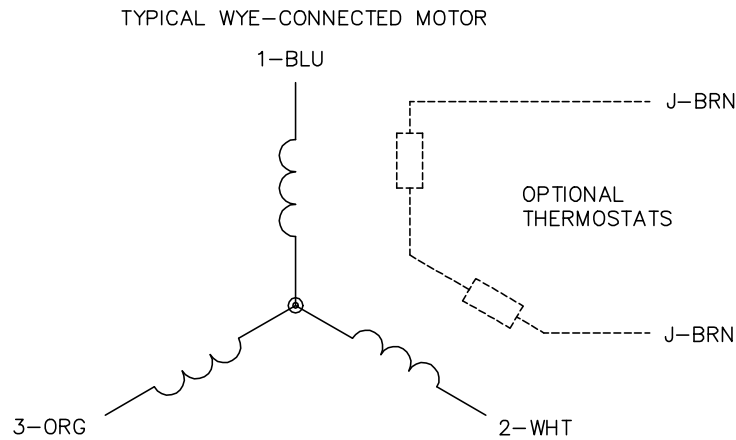
TORQUES (N-M) : PO=28.35 PU=15.46 LR=17.23 LRA=18.81



4/10/2025 ACPERF, record # 84796



CD0006



NOTES:

1. THREE LEAD MOTOR MAY BE EITHER WYE CONNECTED OR DELTA CONNECTED.
2. INTERCHANGE ANY TWO LINE LEADS TO REVERSE ROTATION.
3. OPTIONAL THERMOSTATS ARE PROVIDED WHEN SPECIFIED.
4. ACTUAL NUMBER OF INTERNAL PARALLEL CIRCUITS MAY VARY.
5. LEAD COLORS ARE OPTIONAL. LEADS MUST BE NUMBERED AS SHOWN.

CD0006

|                                   |                              |                   |
|-----------------------------------|------------------------------|-------------------|
| REV. DESC: ADD CLASS CONN00000007 |                              |                   |
| REV. LTR: E                       | VERSION: 01                  | TDR: 000001099922 |
| FILE: \AAA\00005\141              | REVISED: 10:24:49 02/19/2019 | BY: ENBRIRO       |
| MTL: -                            | © □                          |                   |

**BALDOR - RELIANCE®**

3PH, SV, 3 LEADS, WYE OR DELTA CONNECTED

SH 1 of 1