

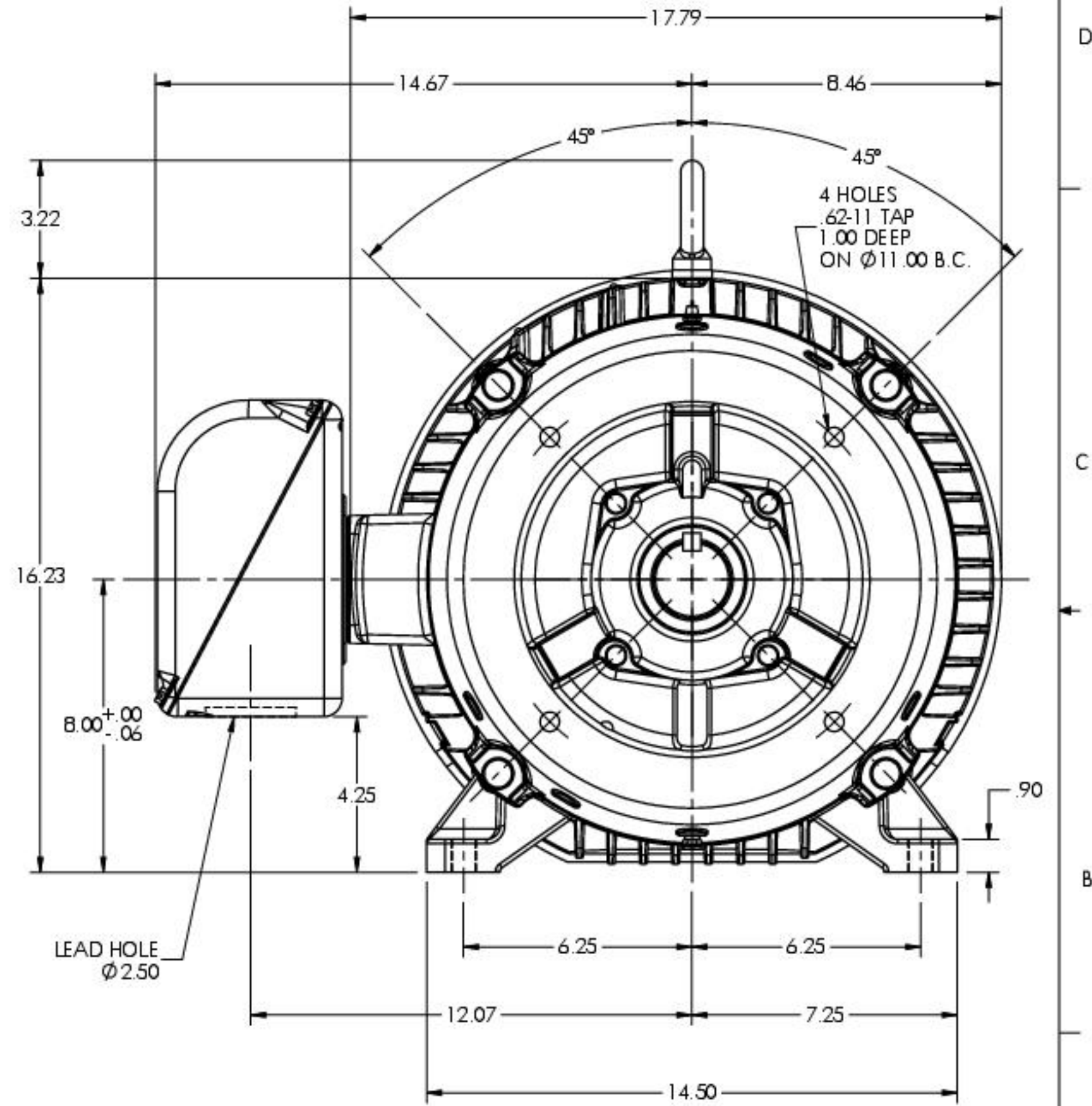
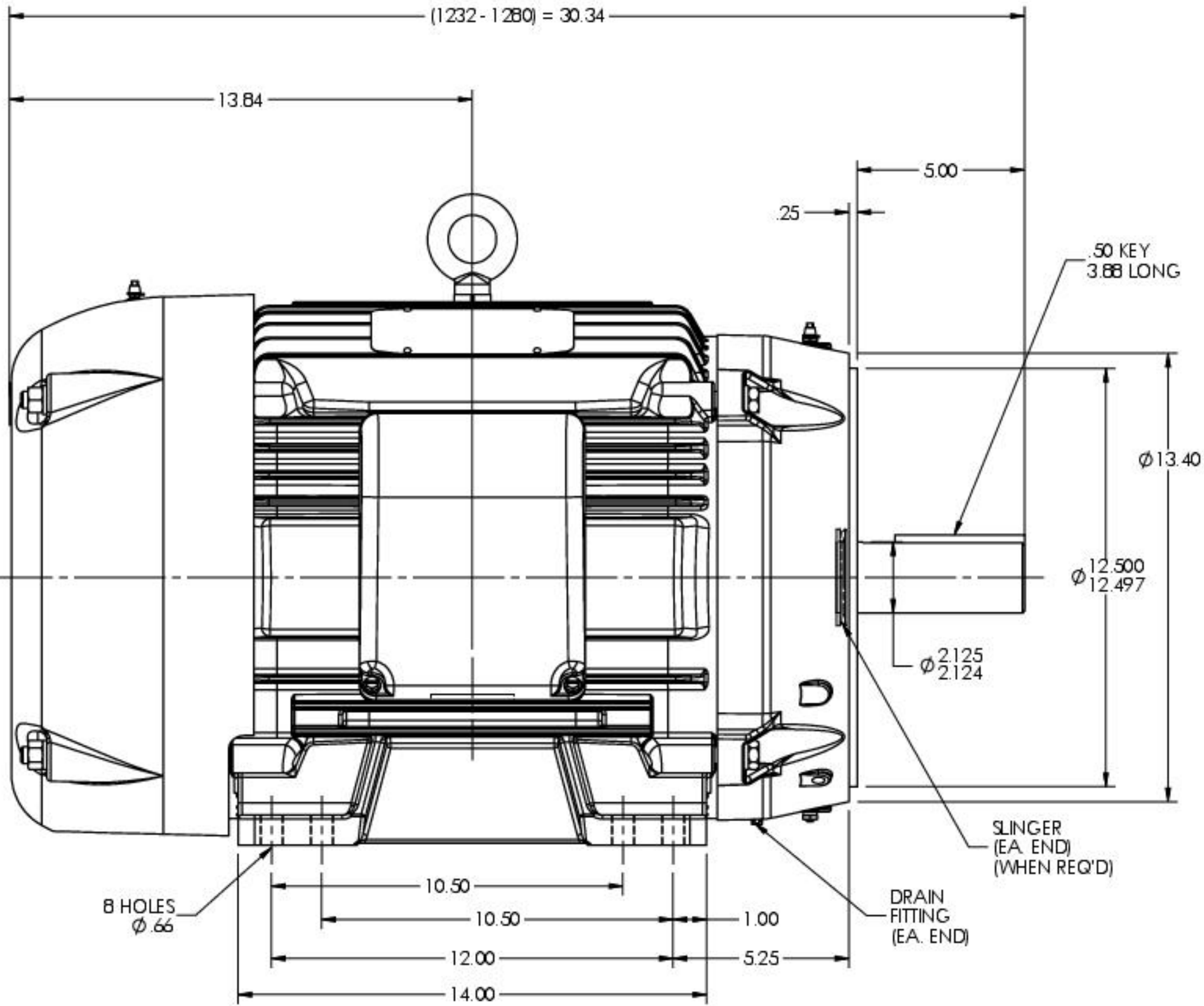
12LYC052

D

C

B

A



D

C

B

A

12LYC052

CUSTOMER IS RESPONSIBLE FOR DETERMINING THAT BALDOR'S PRODUCT WILL PERFORM SUITABLY IN THE INTENDED APPLICATION

REV. DESC: LOAD DRAWING TO SOLIDWORKS			
REV: S	VERSION: 08	REVISED: 07:58:02 07/05/2022	TDR: 000001192990
MODEL NO. 12LYC052			REF: -
BY: ENALEMO			B

BALDOR

HORZ TEFC 324-6TC

8 7 6 5 4 3 2 1