

**BALDOR® • RELIANCE** 

**Product Information Packet**

**CEM7058T**

**25//20HP,1775//1475RPM,3PH,60//50HZ,284T**

Part Detail							
Revision:	C	Status:	PRD/A	Change #:		Proprietary:	No
Type:	AC	Elec. Spec:	10WZ651	CD Diagram:	CD0180	Mfg Plant:	
Mech. Spec:	10E251	Layout:	10LYE251	Poles:	04	Created Date:	10-23-2017
Base:	RG	Eff. Date:	06-27-2018	Leads:	9#10		

Specs			
Catalog Number:	CEM7058T	Front Shaft Indicator:	None
Enclosure:	XPFC	Heater Indicator:	No Heater
Frame:	284TC	Insulation Class:	B
Frame Material:	Iron	Inverter Code:	Not Inverter
Output @ Frequency:	20.000 HP @ 50 HZ	KVA Code:	J
	25.000 HP @ 60 HZ	Lifting Lugs:	Standard Lifting Lugs
Synchronous Speed @ Frequency:	1800 RPM @ 60 HZ	Locked Bearing Indicator:	Locked Bearing
Voltage @ Frequency:	230.0 V @ 60 HZ	Motor Lead Quantity/Wire Size:	9 @ 10 AWG
	190.0 V @ 50 HZ	Motor Lead Exit:	Ko Box
	460.0 V @ 60 HZ	Motor Lead Termination:	Flying Leads
	380.0 V @ 50 HZ	Motor Type:	1054M
XP Class and Group:	CLI GP D; CLII GP F,G	Mounting Arrangement:	F1
XP Division:	Division I	Power Factor:	81
Agency Approvals:	CSA	Product Family:	General Purpose
	CSA EEV	Pulley End Bearing Type:	Ball
	UR	Pulley Face Code:	C-Face
Auxillary Box:	No Auxillary Box	Pulley Shaft Indicator:	Standard
Auxillary Box Lead Termination:	None	Rodent Screen:	None

<b>Base Indicator:</b>	Rigid	<b>RoHS Status:</b>	ROHS COMPLIANT
<b>Bearing Grease Type:</b>	Polyrex EM (-20F +300F)	<b>Shaft Extension Location:</b>	Pulley End
<b>Blower:</b>	None	<b>Shaft Ground Indicator:</b>	No Shaft Grounding
<b>Current @ Voltage:</b>	64.000 A @ 208.0 V	<b>Shaft Rotation:</b>	Reversible
	62.000 A @ 230.0 V	<b>Shaft Slinger Indicator:</b>	No Slinger
	60.000 A @ 190.0 V	<b>Speed Code:</b>	Single Speed
	31.000 A @ 460.0 V	<b>Motor Standards:</b>	NEMA
	30.000 A @ 380.0 V	<b>Starting Method:</b>	Direct on line
<b>Design Code:</b>	A	<b>Thermal Device - Bearing:</b>	NONE (OLD)
<b>Drip Cover:</b>	No Drip Cover	<b>Thermal Device - Winding:</b>	Normally Closed Thermostat
<b>Duty Rating:</b>	CONT	<b>Vibration Sensor Indicator:</b>	No Vibration Sensor
<b>Electrically Isolated Bearing:</b>	Not Electrically Isolated	<b>Winding Thermal 1:</b>	None
<b>Feedback Device:</b>	NO FEEDBACK	<b>Winding Thermal 2:</b>	None
<b>Front Face Code:</b>	Standard	<b>XP Temp Code:</b>	T3C

Nameplate NP1426XPSLEV	
NO.	[ ] CC 010A [ ]
SER.	[ ]
SPEC.	10E251Z651G1
CAT.NO.	CEM7058T
HP	25//20 T. CODE T3C [ ]
VOLTS	230/460//190/380
AMPS	62/31//60/30
RPM	1775//1475
HZ	60//50 PH 3 [ ] CL B [ ]
SER.F.	1.00 DES A [ ] CODE J [ ]
RATING	40C AMB-CONT
FRAME	284TC NEMA-NOM-EFF 93.6 [ ]
USABLE AT 208V	64 PF 81 [ ]
BLANK	[ ]

Parts List		
Part Number	Description	Quantity
SA347063	SA 10E251Z651G1	1.000 EA
RA335613	RA 10E251Z651G1	1.000 EA
09FN3001D02	EXTERNAL FAN, PLASTIC	1.000 EA
12CB1001A01	K.O.BOX, MACH X-PROOF, 1.50 NPT HOLE	1.000 EA
10XN3118K16	5/16-18 X 1' GRADE #5, STL, ZINC PLATE	4.000 EA
HW1001A31	LOCKWASHER 5/16, ZINC PLT.591 OD, .319 I	4.000 EA
WD1000B25	GND LUG, BURNDY L125HP OR T&B L125HP-BB	1.000 EA
19XW3118G08	.31-18X.50,HEX WSHR HD,TAPTITE 2,GREEN	1.000 EA
HW1001A31	LOCKWASHER 5/16, ZINC PLT.591 OD, .319 I	1.000 EA
10EP1701A01	FR ENDPLATE, MACH	1.000 EA
HA3050A03	3/8-16 X 2.25" GRADE 8 BOLT	4.000 EA
HW1001A38	LOCKWASHER 3/8, ZINC PLT .688 OD, .382 I	4.000 EA
HW5100A11	W3917-042 WVY WSHR (WB)	1.000 EA
10XN2520K40	1/4-20 X 2-1/2 HEX HD CAPSCREW,GRADE 5,Z	4.000 EA
HW1001A25	LOCKWASHER 1/4, ZINC PLT .493 OD, .255 I	4.000 EA
10EP1710A07	FACE MTD. E.P., MACH X-PROOF W/LABYRINTH	1.000 EA
HA3050A03	3/8-16 X 2.25" GRADE 8 BOLT	4.000 EA
HW1001A38	LOCKWASHER 3/8, ZINC PLT .688 OD, .382 I	4.000 EA
10FH1008A01	310 FAN HOUSING X-PROOF MACH.	1.000 EA
10XN3118K12	5/16-18 X .75 GRADE 5, ZINC PLATED	3.000 EA
HW1001A31	LOCKWASHER 5/16, ZINC PLT.591 OD, .319 I	3.000 EA
12CB1501A01	COND.BOX LID, MACH., X-PROOF, 310,312	1.000 EA
10XN3816K20	3/8-16 X 1.25 HEX HD CAP GRADE 5	6.000 EA
HW1001A38	LOCKWASHER 3/8, ZINC PLT .688 OD, .382 I	6.000 EA

<b>Parts List (continued)</b>		
<b>Part Number</b>	<b>Description</b>	<b>Quantity</b>
HW2501H28	KEY, 1/2 SQ X 3.250	1.000 EA
LB1115N	LABEL,LIFTING DEVICE (ON ROLLS)	1.000 EA
LB1073	ALUM XP CAUTION LABEL	1.000 EA
WD4100A03	DE-750 HEYCO PLUG 62MP0750 MICRO PLASTIC	1.000 EA
HW4500A20	1/8NPT SL PIPE PLUG	2.000 EA
MJ1000A02	GREASE, POLYREX EM EXXON (USe 4824-15A)	0.130 LB
HW4500A20	1/8NPT SL PIPE PLUG	2.000 EA
HW2500A25	WOODRUFF KEY USA #1008 #BLOW CARBON STEE	1.000 EA
51XB1214A20	12-14X1.25 HXWSSLD SERTYB	1.000 EA
MG1025G05	WILKOFASST, 789.227, MED. GRAY CHAR. MET.	0.125 GA
85XU0407S04	4X1/4 U DRIVE PIN STAINLESS	6.000 EA
LB1119N	WARNING LABEL	1.000 EA
LC0181	CONNECTION LABEL	1.000 EA
NP1426XPSLEV	SS XP UL CSA-EEV CC CL-I GP-D	1.000 EA
12PA1000	PACKAGING GROUP PRINT PK1024A06	1.000 EA
MN416A01	TAG-INSTAL-MAINT no wire (1200/bx) 5/18	1.000 EA

**AC Induction Motor Performance Data**

Record # 67492 - Typical performance - not guaranteed values

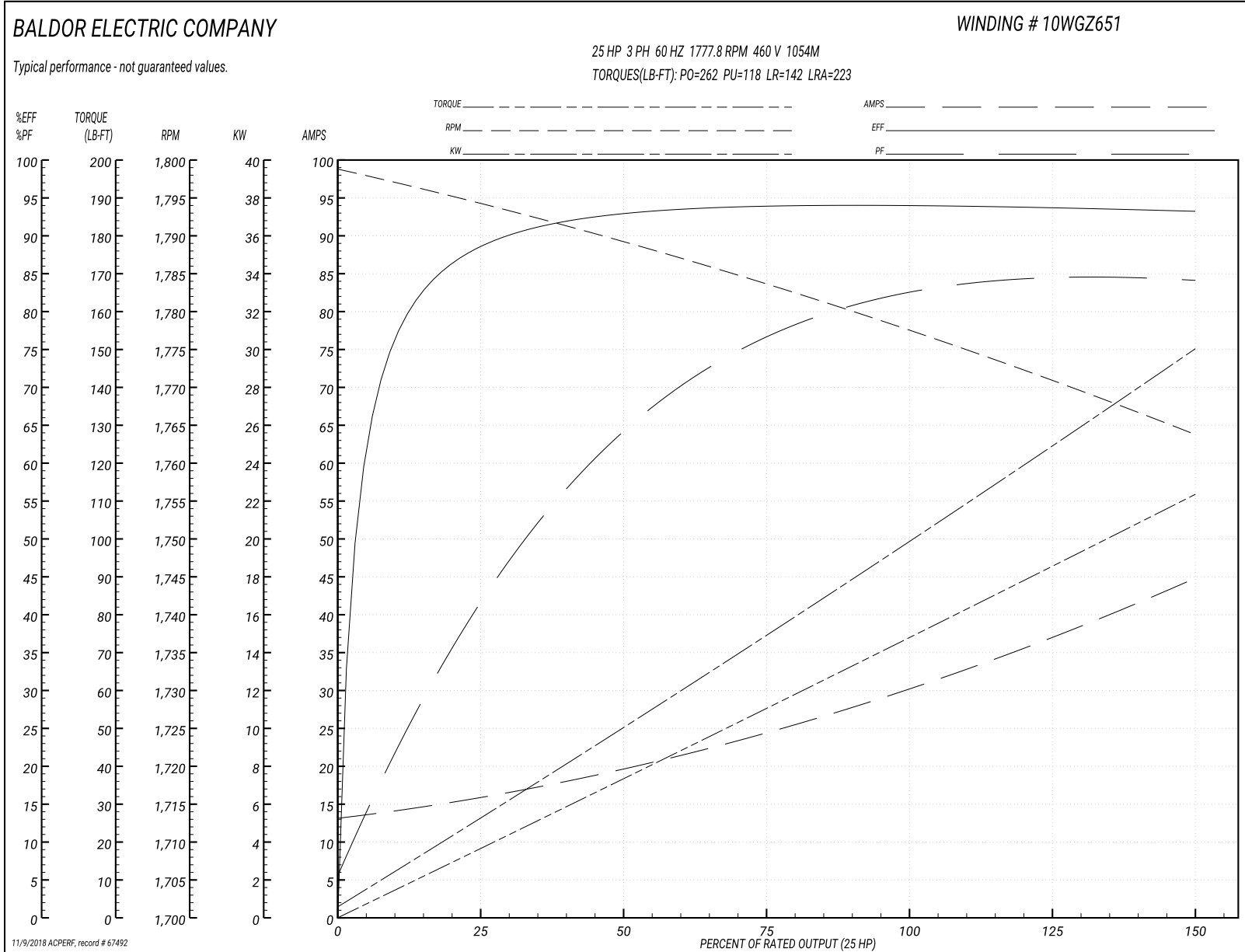
<b>Winding:</b> 10WGZ651-R011	<b>Type:</b> 1054M	<b>Enclosure:</b> XPFC
-------------------------------	--------------------	------------------------

Nameplate Data				460 V, 60 Hz: High Voltage Connection	
Rated Output (HP)	25//20			Full Load Torque	74.02 LB-FT
Volts	230/460//190/380			Start Configuration	direct on line
Full Load Amps	62/31//60/30			Breakdown Torque	262 LB-FT
R.P.M.	1775//1475			Pull-up Torque	118 LB-FT
Hz	60//50	Phase	3	Locked-rotor Torque	142 LB-FT
NEMA Design Code	A	KVA Code	J	Starting Current	223 A
Service Factor (S.F.)	1			No-load Current	13.6 A
NEMA Nom. Eff.	93.6	Power Factor	81	Line-line Res. @ 25°C	0.2345 Ω
Rating - Duty	40C AMB-CONT			Temp. Rise @ Rated Load	51°C
				Locked-rotor Power Factor	30.6

Load Characteristics 460 V, 60 Hz, 25 HP

% of Rated Load	25	50	75	100	125	150
Power Factor	43	65	76	81	84	85
Efficiency	88.3	92.8	93.9	94	93.7	93.1
Speed	1794.1	1789.3	1783.5	1777.8	1770.8	1763.8
Line amperes	15.3	19.3	24.6	30.6	37.2	44.5

Performance Graph at 460V, 60Hz, 25.0HP Typical performance - Not guaranteed values





**AC Induction Motor Performance Data**

Record # 67493 - Typical performance - not guaranteed values

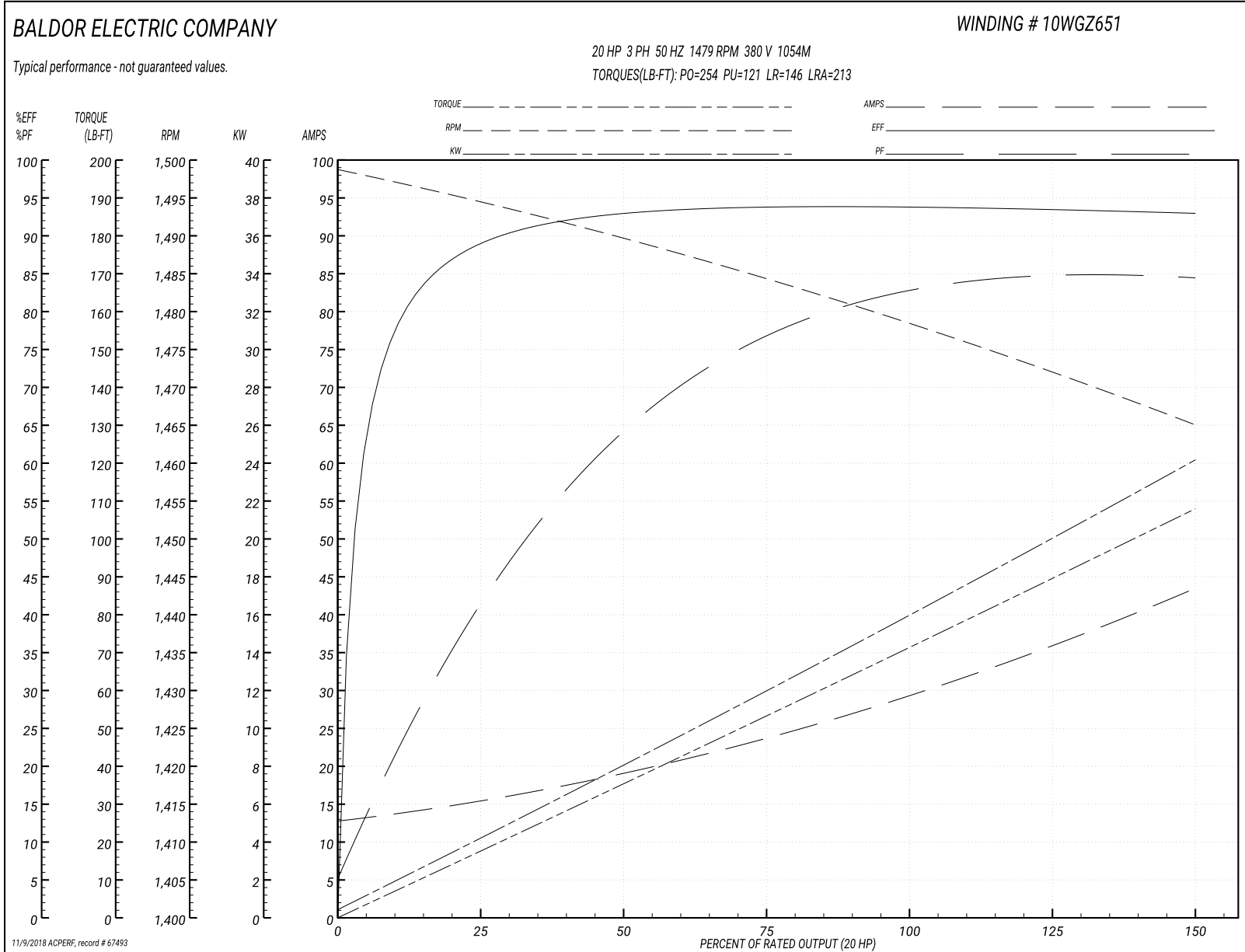
<b>Winding:</b> 10WGZ651-R011	<b>Type:</b> 1054M	<b>Enclosure:</b> XPFC
-------------------------------	--------------------	------------------------

Nameplate Data				380 V, 50 Hz: High Voltage Connection	
Rated Output (HP)	25//20			Full Load Torque	71.24 LB-FT
Volts	230/460//190/380			Start Configuration	direct on line
Full Load Amps	62/31//60/30			Breakdown Torque	254 LB-FT
R.P.M.	1775//1475			Pull-up Torque	121 LB-FT
Hz	60//50	Phase	3	Locked-rotor Torque	146 LB-FT
NEMA Design Code	A	KVA Code	J	Starting Current	213 A
Service Factor (S.F.)	1			No-load Current	13.24 A
NEMA Nom. Eff.	93.6	Power Factor	81	Line-line Res. @ 25°C	0.229 Ω
Rating - Duty	40C AMB-CONT			Temp. Rise @ Rated Load	48°C
				Locked-rotor Power Factor	33.9
				Rotor inertia	4.31 LB-FT <sup>2</sup>

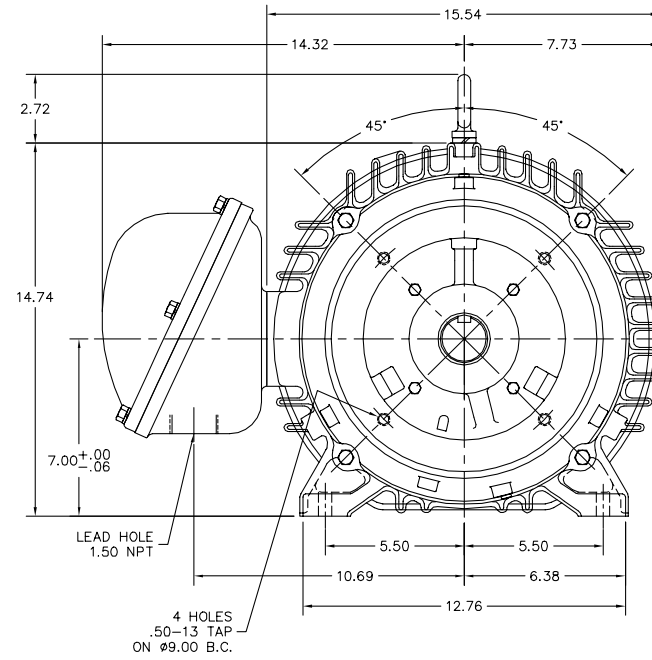
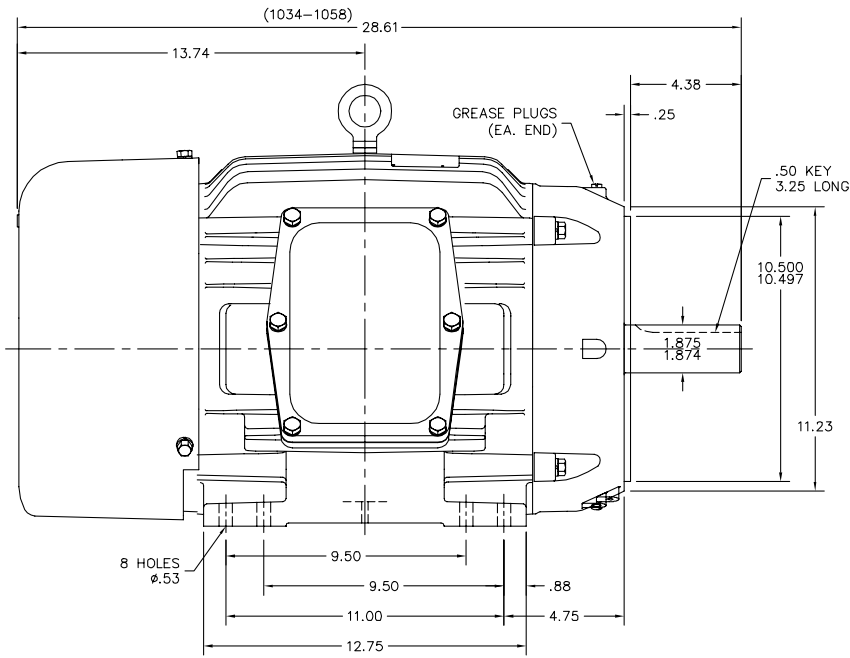
Load Characteristics 380 V, 50 Hz, 20 HP

% of Rated Load	25	50	75	100	125	150
Power Factor	43	66	76	82	84	85
Efficiency	88.8	93	93.8	93.8	93.3	93
Speed	1494	1490	1484	1479	1472	1465
Line amperes	14.85	18.69	23.83	29.65	36.06	43.14

Performance Graph at 380V, 50Hz, 20.0HP Typical performance - Not guaranteed values



10LYE251



10LYE251

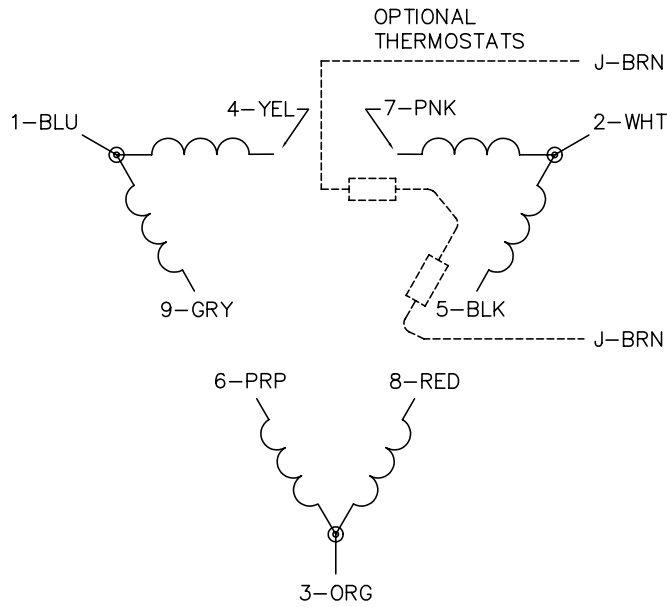
CUSTOMER IS RESPONSIBLE FOR DETERMINING THAT BALDOR'S PRODUCT WILL PERFORM SUITABLY IN THE INTENDED APPLICATION.

REV. DESC: CHG LD HL TO 1.50 NPT	VERSION: 02	TDR: 000000927404
REV. LTR: D	REVISD: 02:24:35 06/09/2015	BY: ENCARCO
FILE: \AAA\00032\559		
MTL: -		

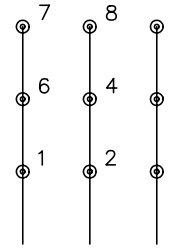
**BALDOR**

HORZ XPFC 284-6TC CL.I,GP.D;CL.II,GP.F&G  
SH 1 of 1

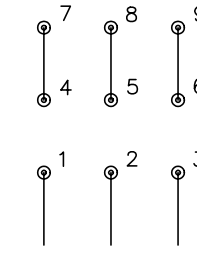
CD0180



LOW VOLTAGE  
(2D)



HIGH VOLTAGE  
(1D)



NOTES:

1. INTERCHANGE ANY TWO LINE LEADS TO REVERSE ROTATION.
2. OPTIONAL THERMOSTATS ARE PROVIDED WHEN SPECIFIED.
3. ACTUAL NUMBER OF INTERNAL PARALLEL CIRCUITS MAY BE A MULTIPLE OF THOSE SHOWN ABOVE.
4. LEAD COLORS ARE OPTIONAL. LEADS MUST ALWAYS BE NUMBERED AS SHOWN.

REV. DESC: REVISE TO SHOW OPTIONAL COLORS

REV. LTR: C BY: JLP

REVISED: 01/21/99 2:28

TDR: 0171435

0810D0

FILE: AAA00005148

MDL: -

MTL: -

**BALDOR ELECTRIC Co.**

3PH, DV, 9 LEADS, DELTA CONNECTION

CD0180

Marketing maintained PDF of MN416:

<http://www.baldor.com/support/Literature/Load.ashx/MN416?ManNumber=MN416>