

BALDOR® • RELIANCE 

Product Information Packet

CFSWDM3538-5E

.5HP, 1765RPM, 3PH, 60HZ, 56C, 3516M, TENV, F1

Part Detail							
Revision:	C	Status:	PRD/A	Change #:		Proprietary:	No
Type:	AC	Elec. Spec:	35WGM360	CD Diagram:	CD0006	Mfg Plant:	
Mech. Spec:	35E4735	Layout:	35LYE4735	Poles:	04	Created Date:	07-28-2017
Base:	RG	Eff. Date:	06-04-2018	Leads:	3#18		

Specs			
Catalog Number:	CFSWDM3538-5E	KVA Code:	N
Enclosure:	TENV	Lifting Lugs:	No Lifting Lugs
Frame:	56C	Locked Bearing Indicator:	Locked Bearing
Frame Material:	Stainless Steel	Motor Finish:	UNPAINTED
Output @ Frequency:	.500 HP @ 60 HZ	Motor Lead Quantity/Wire Size:	3 @ 18 AWG
Synchronous Speed @ Frequency:	1800 RPM @ 60 HZ	Motor Lead Exit:	Ko Box
Voltage @ Frequency:	575.0 V @ 60 HZ	Motor Lead Termination:	Flying Leads
XP Class and Group:	None	Motor Type:	3516M
XP Division:	Not Applicable	Mounting Arrangement:	F1
Agency Approvals:	UR	Power Factor:	64
	CSA	Product Family:	WD All SS Encapsulated
Auxillary Box:	No Auxillary Box	Pulley End Bearing Type:	Sealed Bearing
Auxillary Box Lead Termination:	None	Pulley Face Code:	C-Face
Base Indicator:	Rigid	Pulley Shaft Indicator:	Standard
Bearing Grease Type:	Polyrex EM (-20F +300F)	Rodent Screen:	None
Blower:	None	RoHS Status:	ROHS COMPLIANT
Current @ Voltage:	.700 A @ 575.0 V	Shaft Extension Location:	Pulley End
Design Code:	B	Shaft Ground Indicator:	No Shaft Grounding

Drip Cover:	No Drip Cover	Shaft Rotation:	Reversible
Duty Rating:	CONT	Shaft Slinger Indicator:	No Slinger
Electrically Isolated Bearing:	Not Electrically Isolated	Speed Code:	Single Speed
Feedback Device:	NO FEEDBACK	Motor Standards:	NEMA
Front Face Code:	Standard	Starting Method:	Direct on line
Front Shaft Indicator:	None	Thermal Device - Bearing:	None
Heater Indicator:	No Heater	Thermal Device - Winding:	None
Insulation Class:	H	Vibration Sensor Indicator:	No Vibration Sensor
Inverter Code:	Inverter Ready	Winding Thermal 1:	None
		Winding Thermal 2:	None

Nameplate NP1951A05										
CAT.NO.	CFSWDM3538-5E									
SPEC.	35E4735M360G1									
HP	.5									
VOLTS	575									
AMP	.7									
RPM	1765									
FRAME	56C				HZ	60			PH	3
SER.F.	1.15		CODE	N	DES	B		CLASS	H	
NEMA-NOM-EFF	84			PF	64					
RATING	40C AMB-CONT									
CC	USABLE AT 208V									
DE	6205				ODE	6205				
ENCL	TENV		SN							
	4:1CT, 10:1VT									

Parts List		
Part Number	Description	Quantity
SA346338	SA 35E4735M360G1	1.000 EA
RA334848	RA 35E4735M360G1	1.000 EA
RM1070A81	O-RING, -043 VITON/FKM .070CS X 3.489ID	1.000 EA
11XW1032G08	10-32 X .50, TAPTITE II, HEX WSHR SLTD U	1.000 EA
HW3001B02	BRASS CUP WASHER W/GROUND SYMBOL TAB,	1.000 EA
35EP1940A03	FRONT TENV 205 BRG (STAINLESS)	1.000 EA
RM1070A25	O-RING, VITON/FKM .070CS X 6.190ID	1.000 EA
HA4054	SHORT T-DRAIN FITTING, .125" N.P.T.	1.000 EA
HW4500S33	1/8 NPT STAINLESS #304 SS PLUG	3.000 EA
HW5100A05	WVY WSHR F/205 & 304 BRGS	1.000 EA
35EP1935A02	PULLEY 56C/143-5TC ENCL 205 BRG	1.000 EA
RM1070A25	O-RING, VITON/FKM .070CS X 6.190ID	1.000 EA
HW4600G01	.984X1.499X.25 VITON SLICK SERIES LIP	1.000 EA
HW4600E99	25 X 42 X 6 AFX SEAL, GRAPHITE INFUSED V	1.000 EA
HW4500S33	1/8 NPT STAINLESS #304 SS PLUG	3.000 EA
HA4054	SHORT T-DRAIN FITTING, .125" N.P.T.	1.000 EA
RM1070A26	O-RING,4.5MM I.D.X1.5MM C.S. (VITON)	4.000 EA
RM1070A81	O-RING, -043 VITON/FKM .070CS X 3.489ID	1.000 EA
HW2502D13	SS KEY, 3/16 SQ X 1.375	1.000 EA
HA7000A04	KEY RETAINER 0.625 DIA SHAFTS	1.000 EA
MJ5001A27	32220KN GRAY SEALER *MIN BUY 4 QTS=1GAL	0.005 QT
MJ5004A93	FOOD GRADE (H1 RATED) ANTISEIZE THRD COM	0.005 EA
MJ1000A02	GREASE, POLYREX EM EXXON (USe 4824-15A)	0.050 LB
WD5603A02	KIT, CLOSED-END LEAD SPLICE (18-14GA)	1.000 EA

Parts List (continued)		
Part Number	Description	Quantity
HA3100FS11	THRUBOLT, 10-32 X 8.500 SS FOOD SAFE	4.000 EA
36PA1000	PKG GRP, PRINT PK1016A06	1.000 EA
MN416A01	TAG-INSTAL-MAINT no wire (1200/bx) 5/18	1.000 EA
HA5027A07	85XU1208S08 FACE DRAIN PINS BAGGED	1.000 EA
FE-0000001	ZRTG FE ASSEMBLY	1.000 EA
PE-0000002	ZRTG PE ASSEMBLY	1.000 EA

AC Induction Motor Performance Data

Record # 65328 - Typical performance - not guaranteed values

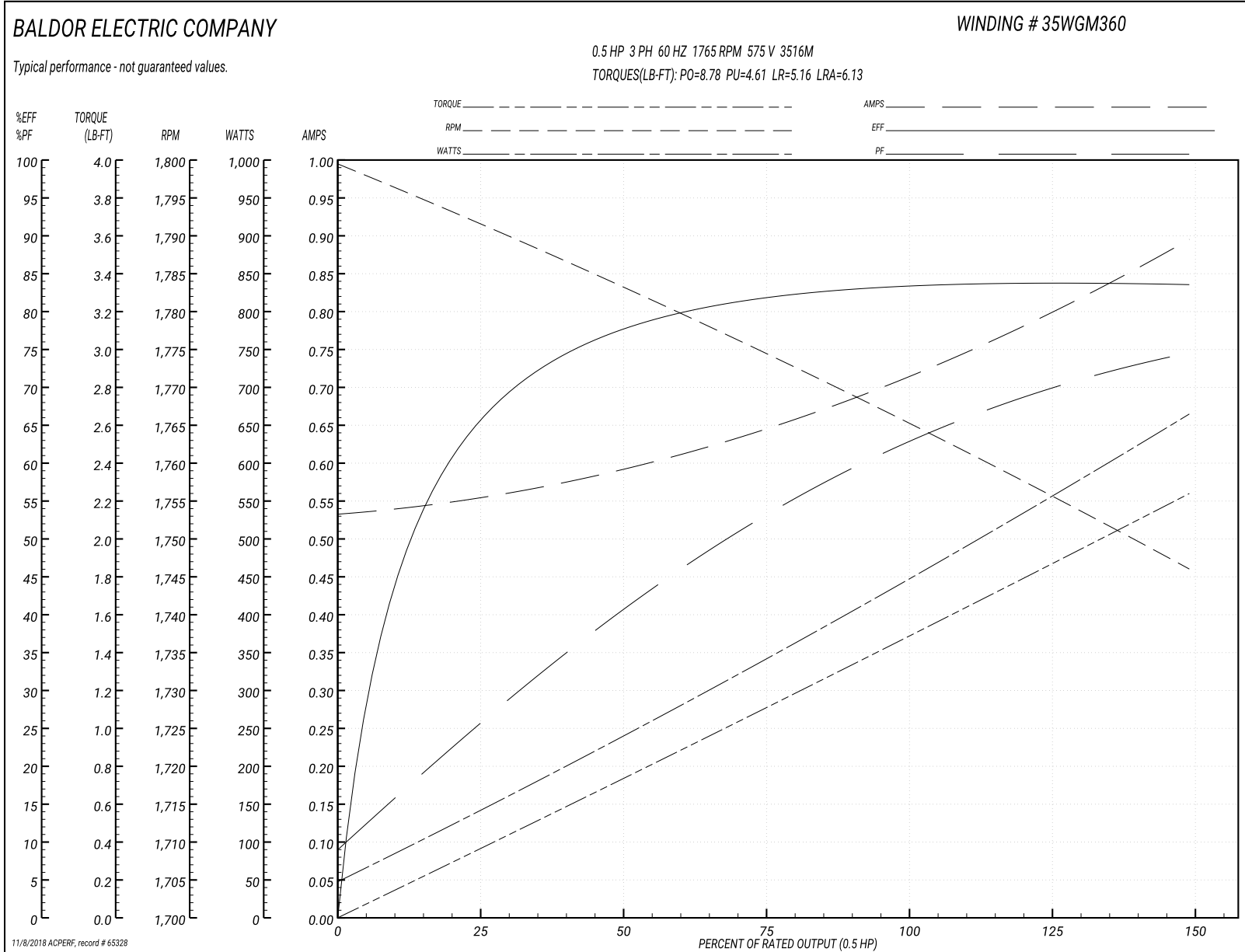
Winding: 35WGM360-R004	Type: 3516M	Enclosure: TENV
-------------------------------	--------------------	------------------------

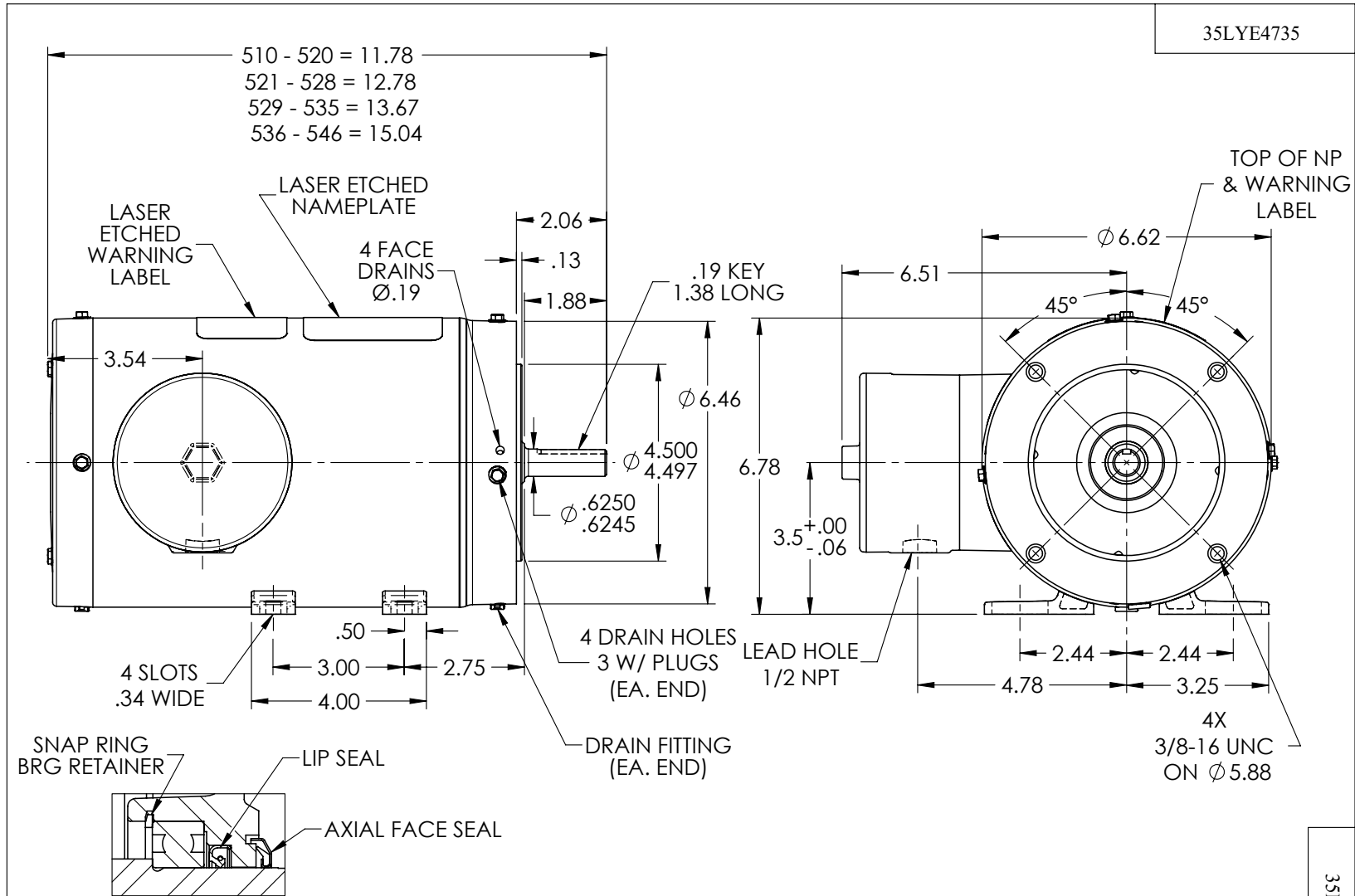
Nameplate Data				575 V, 60 Hz: Single Voltage Motor	
Rated Output (HP)	.5			Full Load Torque	1.49 LB-FT
Volts	575			Start Configuration	direct on line
Full Load Amps	.7			Breakdown Torque	8.78 LB-FT
R.P.M.	1765			Pull-up Torque	4.61 LB-FT
Hz	60	Phase	3	Locked-rotor Torque	5.16 LB-FT
NEMA Design Code	B	KVA Code	N	Starting Current	6.13 A
Service Factor (S.F.)	1.15			No-load Current	0.535 A
NEMA Nom. Eff.	84	Power Factor	64	Line-line Res. @ 25°C	37.2 Ω
Rating - Duty	40C AMB-CONT			Temp. Rise @ Rated Load	55°C
S.F. Amps				Temp. Rise @ S.F. Load	62°C
				Locked-rotor Power Factor	54.8
				Rotor inertia	0.0946 LB-FT ²

Load Characteristics 575 V, 60 Hz, 0.5 HP

% of Rated Load	25	50	75	100	125	150	S.F.
Power Factor	25	41	53	63	69	75	67
Efficiency	64.7	77.4	81.2	83.8	83.9	83.4	83.9
Speed	1793	1783	1774	1766	1756	1746	1760
Line amperes	0.55	0.59	0.644	0.715	0.796	0.894	0.764

Performance Graph at 575V, 60Hz, 0.5HP Typical performance - Not guaranteed values





35LYE4735

PULLEY END DETAIL

CUSTOMER IS RESPONSIBLE FOR DETERMINING THAT BALDOR'S PRODUCT WILL PERFORM SUITABLY IN THE INTENDED APPLICATION

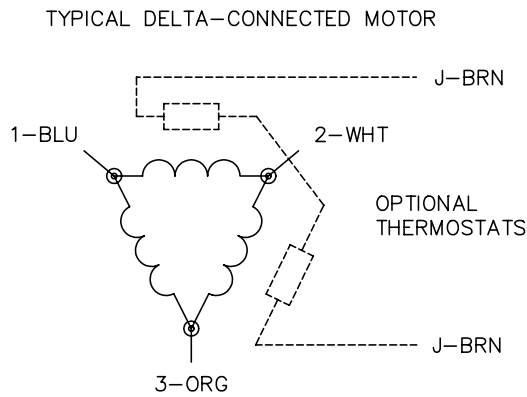
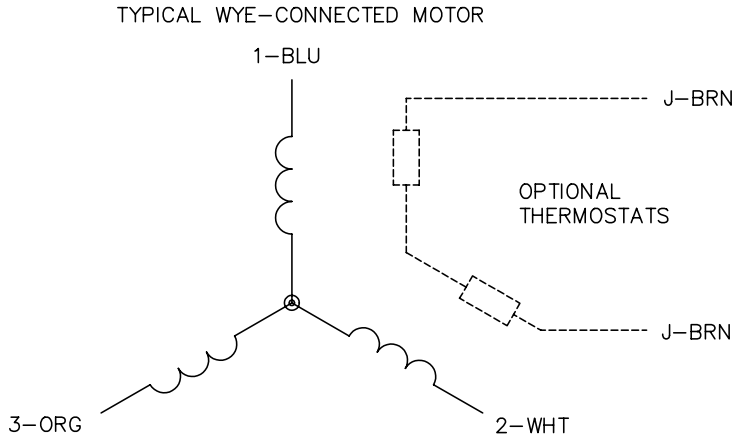
REV. DESC: RELOCATE THE NAMEPLATE TOWARD THE DRIVE END			
REV: A	VERSION: 01	REVISED: 01:52:18 10/17/2017	TDR: 000001046834
35LYE4735	MODEL NO. 35LYE4735	REF: -	
	BY: ENANGGO		

BALDOR

STD HORZ 56C TENV 35M WD11/12

35LYE4735

CD0006



NOTES:

1. THREE LEAD MOTOR MAY BE EITHER WYE CONNECTED OR DELTA CONNECTED.
2. INTERCHANGE ANY TWO LINE LEADS TO REVERSE ROTATION.
3. OPTIONAL THERMOSTATS ARE PROVIDED WHEN SPECIFIED.
4. ACTUAL NUMBER OF INTERNAL PARALLEL CIRCUITS MAY VARY.
5. LEAD COLORS ARE OPTIONAL. LEADS MUST BE NUMBERED AS SHOWN.

REV. DESC: REVISE TO SHOW OPTIONAL COLORS			
REV. LTR: D	BY: JLP	REVISED: 01/21/99 4:02	TDR: 0171435
9000D		FILE: AAA00005141	MDL: -
		MTL: -	

BALDOR ELECTRIC Co.

3PH, SV, 3 LEADS, WYE OR DELTA CONNECTED

CD0006