

BALDOR® • RELIANCE 

Product Information Packet

CFSWDM3538-E

.5HP, 1765RPM, 3PH, 60HZ, 56C, 3516M, TENV, F1

Part Detail							
Revision:	A	Status:	PRD/A	Change #:		Proprietary:	No
Type:	AC	Elec. Spec:	35WGP563	CD Diagram:	CD0005	Mfg Plant:	
Mech. Spec:	35E4735	Layout:	35LYE4735	Poles:	04	Created Date:	07-19-2017
Base:	RG	Eff. Date:	02-02-2018	Leads:	9#18		

Specs			
Catalog Number:	CFSWDM3538-E	Insulation Class:	H
Enclosure:	TENV	Inverter Code:	Inverter Ready
Frame:	56C	KVA Code:	N
Frame Material:	Stainless Steel	Lifting Lugs:	No Lifting Lugs
Output @ Frequency:	.500 HP @ 60 HZ	Locked Bearing Indicator:	Locked Bearing
Synchronous Speed @ Frequency:	1800 RPM @ 60 HZ	Motor Finish:	UNPAINTED
Voltage @ Frequency:	208.0 V @ 60 HZ	Motor Lead Quantity/Wire Size:	9 @ 18 AWG
	230.0 V @ 60 HZ	Motor Lead Exit:	Ko Box
	460.0 V @ 60 HZ	Motor Lead Termination:	Flying Leads
XP Class and Group:	None	Motor Type:	3516M
XP Division:	Not Applicable	Mounting Arrangement:	F1
Agency Approvals:	UR	Power Factor:	64
	CSA	Product Family:	WD All SS Encapsulated
Auxillary Box:	No Auxillary Box	Pulley End Bearing Type:	Sealed Bearing
Auxillary Box Lead Termination:	None	Pulley Face Code:	C-Face
Base Indicator:	Rigid	Pulley Shaft Indicator:	Standard
Bearing Grease Type:	Polyrex EM (-20F +300F)	Rodent Screen:	None
Blower:	None	RoHS Status:	ROHS COMPLIANT

Current @ Voltage:	.900 A @ 460.0 V	Shaft Extension Location:	Pulley End
	1.800 A @ 208.0 V	Shaft Ground Indicator:	No Shaft Grounding
	1.800 A @ 230.0 V	Shaft Rotation:	Reversible
Design Code:	B	Shaft Slinger Indicator:	No Slinger
Drip Cover:	No Drip Cover	Speed Code:	Single Speed
Duty Rating:	CONT	Motor Standards:	NEMA
Electrically Isolated Bearing:	Not Electrically Isolated	Starting Method:	Direct on line
Feedback Device:	NO FEEDBACK	Thermal Device - Bearing:	None
Front Face Code:	Standard	Thermal Device - Winding:	None
Front Shaft Indicator:	None	Vibration Sensor Indicator:	No Vibration Sensor
Heater Indicator:	No Heater	Winding Thermal 1:	None
		Winding Thermal 2:	None

Nameplate NP1951A01											
CAT.NO.	CFSWDM3538-E										
SPEC.	35E4735P563G1										
HP	.5										
VOLTS	208-230/460										
AMP	1.8/.9										
RPM	1765										
FRAME	56C					HZ	60			PH	3
SER.F.	1.15			CODE	N		DES	B		CLASS	H
NEMA-NOM-EFF	84				PF	64					
RATING	40C AMB-CONT										
CC										USABLE AT 208V	
DE	6205					ODE	6205				
ENCL	TENV			SN							

Parts List		
Part Number	Description	Quantity
SA346125	SA 35E4735P563G1	1.000 EA
RA334629	RA 35E4735P563G1	1.000 EA
RM1070A81	O-RING, -043 VITON/FKM .070CS X 3.489ID	1.000 EA
11XW1032G08	10-32 X .50, TAPTITE II, HEX WSHR SLTD U	1.000 EA
HW3001B02	BRASS CUP WASHER W/GROUND SYMBOL TAB,	1.000 EA
35EP1940A03	FRONT TENV 205 BRG (STAINLESS)	1.000 EA
RM1070A25	O-RING, VITON/FKM .070CS X 6.190ID	1.000 EA
HA4054	SHORT T-DRAIN FITTING, .125" N.P.T.	1.000 EA
HW4500S33	1/8 NPT STAINLESS #304 SS PLUG	3.000 EA
HW5100A05	WVY WSHR F/205 & 304 BRGS	1.000 EA
35EP1935A02	PULLEY 56C/143-5TC ENCL 205 BRG	1.000 EA
RM1070A25	O-RING, VITON/FKM .070CS X 6.190ID	1.000 EA
HW4600G01	.984X1.499X.25 VITON SLICK SERIES LIP	1.000 EA
HW4600E99	25 X 42 X 6 AFX SEAL, GRAPHITE INFUSED V	1.000 EA
HW4500S33	1/8 NPT STAINLESS #304 SS PLUG	3.000 EA
HA4054	SHORT T-DRAIN FITTING, .125" N.P.T.	1.000 EA
RM1070A26	O-RING,4.5MM I.D.X1.5MM C.S. (VITON)	4.000 EA
RM1070A81	O-RING, -043 VITON/FKM .070CS X 3.489ID	1.000 EA
HW2502D13	SS KEY, 3/16 SQ X 1.375	1.000 EA
HA7000A04	KEY RETAINER 0.625 DIA SHAFTS	1.000 EA
MJ5001A27	32220KN GRAY SEALER *MIN BUY 4 QTS=1GAL	0.005 QT
MJ5004A93	FOOD GRADE (H1 RATED) ANTISEIZE THRD COM	0.005 EA
MJ1000A02	GREASE, POLYREX EM EXXON (USe 4824-15A)	0.050 LB
WD5603A01	KIT, CLOSED-END LEAD SPLICE (18-14GA)	1.000 EA

Parts List (continued)		
Part Number	Description	Quantity
HA3100FS11	THRUBOLT, 10-32 X 8.500 SS FOOD SAFE	4.000 EA
36PA1000	PKG GRP, PRINT PK1016A06	1.000 EA
MN416A01	TAG-INSTAL-MAINT no wire (1200/bx) 5/18	1.000 EA
HA5027A07	85XU1208S08 FACE DRAIN PINS BAGGED	1.000 EA
FE-0000001	ZRTG FE ASSEMBLY	1.000 EA
PE-0000002	ZRTG PE ASSEMBLY	1.000 EA

AC Induction Motor Performance Data

Record # 36142 - Typical performance - not guaranteed values

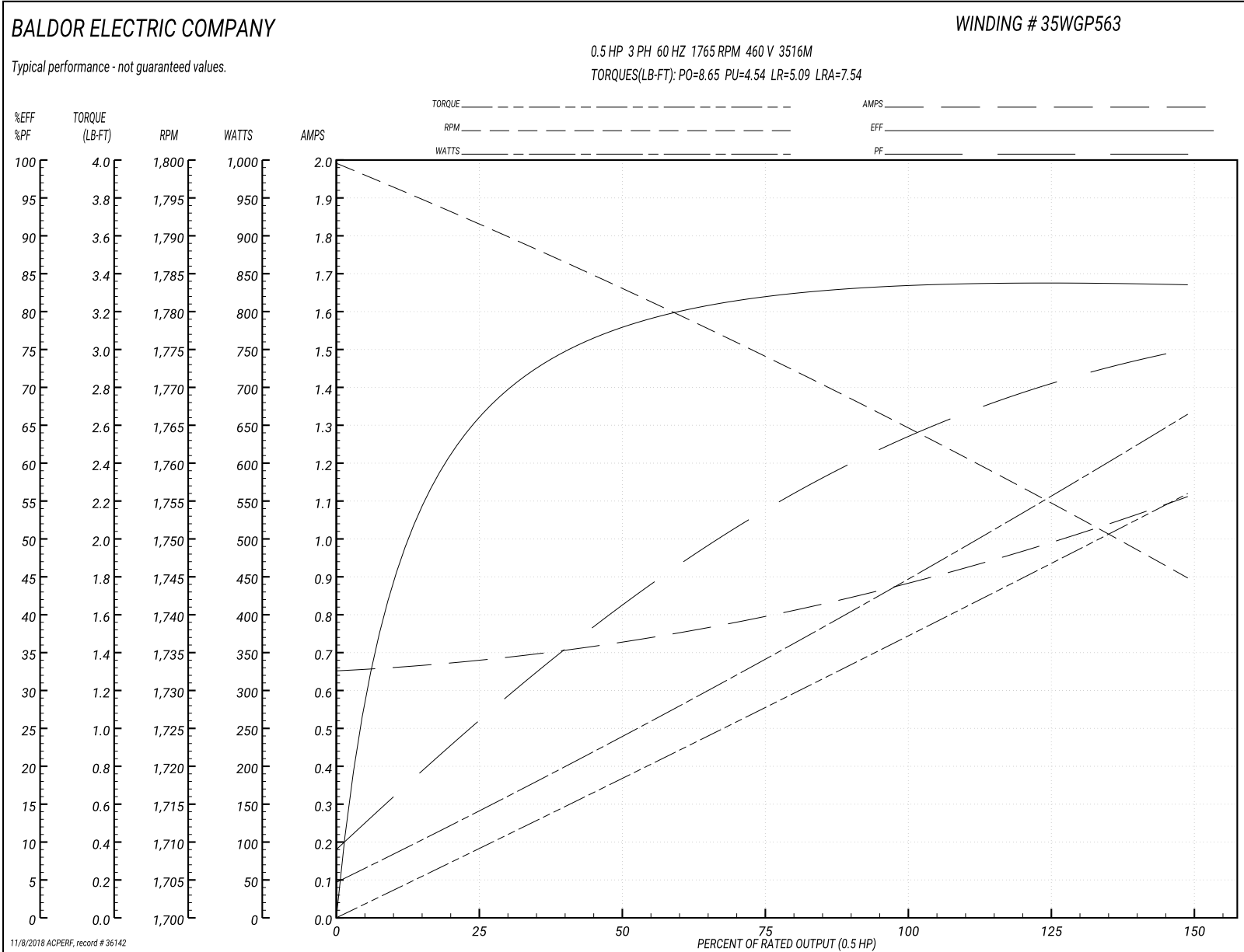
Winding: 35WGP563-R003	Type: 3516M	Enclosure: TENV
-------------------------------	--------------------	------------------------

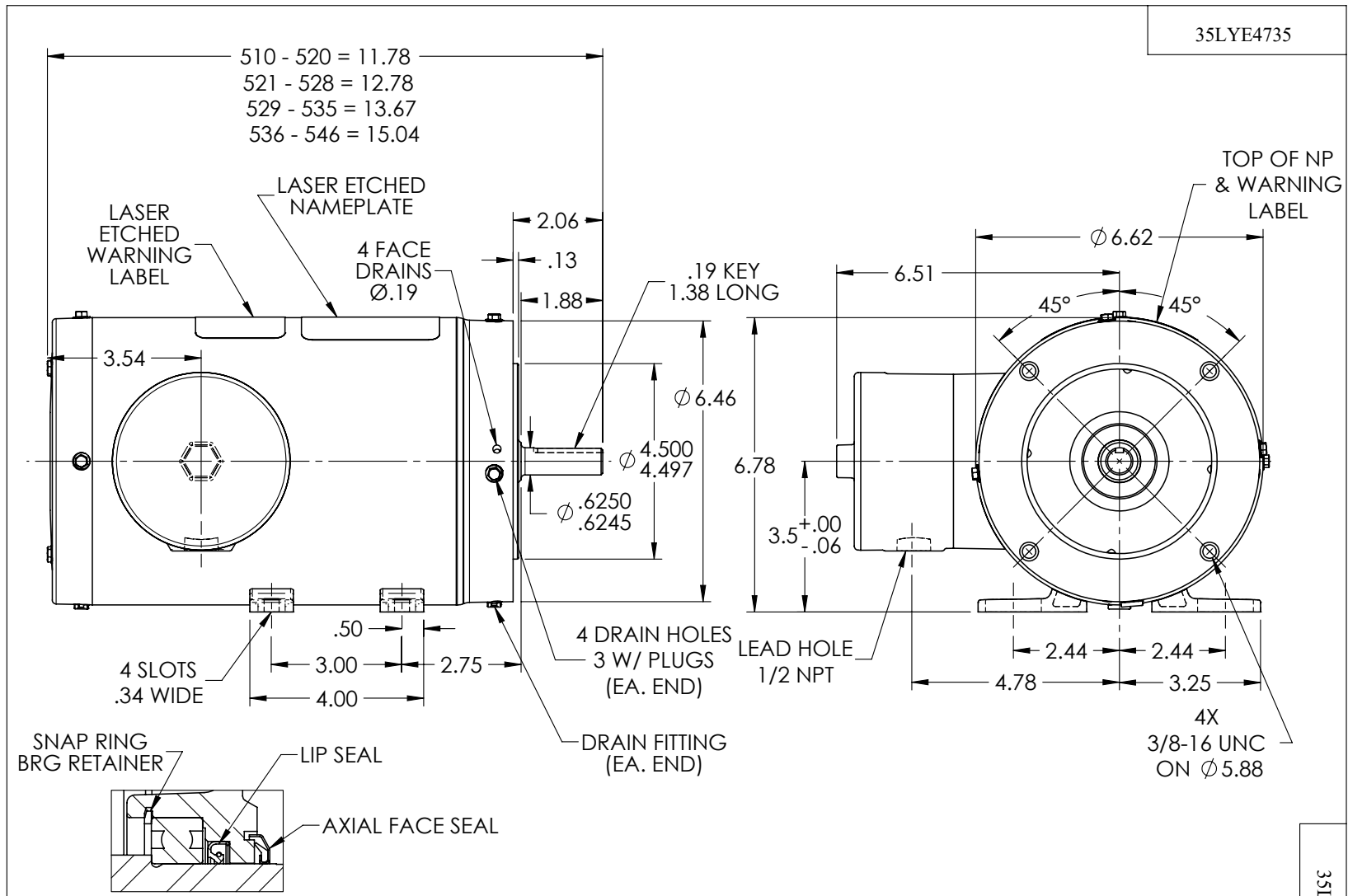
Nameplate Data				460 V, 60 Hz: High Voltage Connection	
Rated Output (HP)	.5			Full Load Torque	1.49 LB-FT
Volts	208-230/460			Start Configuration	direct on line
Full Load Amps	1.8/.9			Breakdown Torque	8.65 LB-FT
R.P.M.	1765			Pull-up Torque	4.54 LB-FT
Hz	60	Phase	3	Locked-rotor Torque	5.09 LB-FT
NEMA Design Code	B	KVA Code	N	Starting Current	7.54 A
Service Factor (S.F.)	1.15			No-load Current	0.655 A
NEMA Nom. Eff.	84	Power Factor	64	Line-line Res. @ 25°C	25.6 Ω
Rating - Duty	40C AMB-CONT			Temp. Rise @ Rated Load	54°C
S.F. Amps				Temp. Rise @ S.F. Load	61°C

Load Characteristics 460 V, 60 Hz, 0.5 HP

% of Rated Load	25	50	75	100	125	150	S.F.
Power Factor	26	41	53	63	70	75	67
Efficiency	65	77.6	81.5	83.8	84	83.4	83.9
Speed	1793	1783	1774	1765	1755	1745	1759
Line amperes	0.674	0.725	0.793	0.885	0.986	1.11	0.946

Performance Graph at 460V, 60Hz, 0.5HP Typical performance - Not guaranteed values





35LYE4735

PULLEY END DETAIL

CUSTOMER IS RESPONSIBLE FOR DETERMINING THAT BALDOR'S PRODUCT WILL PERFORM SUITABLY IN THE INTENDED APPLICATION

REV. DESC: RELOCATE THE NAMEPLATE TOWARD THE DRIVE END			
REV: A	VERSION: 01	REVISED: 01:52:18 10/17/2017	TDR: 000001046834
35LYE4735		MODEL NO. 35LYE4735	REF: -
		BY: ENANGGO	

BALDOR

STD HORZ 56C TENV 35M WD11/12

35LYE4735

CD0005

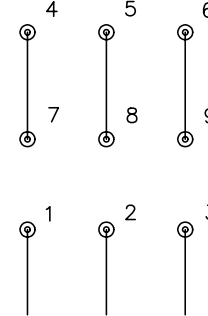


LOW VOLTAGE
(2Y)



LINE

HIGH VOLTAGE
(1Y)



LINE

NOTES:

1. INTERCHANGE ANY TWO LINE LEADS TO REVERSE ROTATION.
2. OPTIONAL THERMOSTATS ARE PROVIDED WHEN SPECIFIED.
3. ACTUAL NUMBER OF INTERNAL PARALLEL CIRCUITS MAY BE A MULTIPLE OF THOSE SHOWN ABOVE.
4. LEAD COLORS ARE OPTIONAL. LEADS MUST ALWAYS BE NUMBERED AS SHOWN.

REV. DESC: REVISE TO SHOW OPTIONAL COLORS

REV. LTR: E BY: JLP

REVISED: 01/19/99 10:15

TDR: 0171435

90000

FILE: AAA00005140

MDL: -

MTL: -

BALDOR ELECTRIC Co.

3PH, DV, 9 LEADS

CD0005