

**BALDOR® • RELIANCE** 

**Product Information Packet**

**CFSWDM3542-5E**

**.75HP, 1760RPM, 3PH, 60HZ, 56C, 3522M, TENV, F1**

Part Detail							
Revision:	B	Status:	PRD/A	Change #:		Proprietary:	No
Type:	AC	Elec. Spec:	35WGN561	CD Diagram:	CD0006	Mfg Plant:	
Mech. Spec:	35E4735	Layout:	35LYE4735	Poles:	04	Created Date:	07-27-2017
Base:	RG	Eff. Date:	04-11-2018	Leads:	3#18		

Specs			
Catalog Number:	CFSWDM3542-5E	KVA Code:	N
Enclosure:	TENV	Lifting Lugs:	No Lifting Lugs
Frame:	56C	Locked Bearing Indicator:	Locked Bearing
Frame Material:	Stainless Steel	Motor Finish:	UNPAINTED
Output @ Frequency:	.750 HP @ 60 HZ	Motor Lead Quantity/Wire Size:	3 @ 18 AWG
Synchronous Speed @ Frequency:	1800 RPM @ 60 HZ	Motor Lead Exit:	Ko Box
Voltage @ Frequency:	575.0 V @ 60 HZ	Motor Lead Termination:	Flying Leads
XP Class and Group:	None	Motor Type:	3522M
XP Division:	Not Applicable	Mounting Arrangement:	F1
Agency Approvals:	UR	Power Factor:	69
	CSA	Product Family:	WD All SS Encapsulated
Auxillary Box:	No Auxillary Box	Pulley End Bearing Type:	Sealed Bearing
Auxillary Box Lead Termination:	None	Pulley Face Code:	C-Face
Base Indicator:	Rigid	Pulley Shaft Indicator:	Standard
Bearing Grease Type:	Polyrex EM (-20F +300F)	Rodent Screen:	None
Blower:	None	RoHS Status:	ROHS COMPLIANT
Current @ Voltage:	1.000 A @ 575.0 V	Shaft Extension Location:	Pulley End
Design Code:	B	Shaft Ground Indicator:	No Shaft Grounding

<b>Drip Cover:</b>	No Drip Cover	<b>Shaft Rotation:</b>	Reversible
<b>Duty Rating:</b>	CONT	<b>Shaft Slinger Indicator:</b>	No Slinger
<b>Electrically Isolated Bearing:</b>	Not Electrically Isolated	<b>Speed Code:</b>	Single Speed
<b>Feedback Device:</b>	NO FEEDBACK	<b>Motor Standards:</b>	NEMA
<b>Front Face Code:</b>	Standard	<b>Starting Method:</b>	Direct on line
<b>Front Shaft Indicator:</b>	None	<b>Thermal Device - Bearing:</b>	None
<b>Heater Indicator:</b>	No Heater	<b>Thermal Device - Winding:</b>	None
<b>Insulation Class:</b>	H	<b>Vibration Sensor Indicator:</b>	No Vibration Sensor
<b>Inverter Code:</b>	Inverter Ready	<b>Winding Thermal 1:</b>	None
		<b>Winding Thermal 2:</b>	None

<b>Nameplate NP1951A05</b>										
<b>CAT.NO.</b>	CFSWDM3542-5E									
<b>SPEC.</b>	35E4735N561G1									
<b>HP</b>	.75									
<b>VOLTS</b>	575									
<b>AMP</b>	1									
<b>RPM</b>	1760									
<b>FRAME</b>	56C				<b>HZ</b>	60			<b>PH</b>	3
<b>SER.F.</b>	1.15		<b>CODE</b>	N	<b>DES</b>	B		<b>CLASS</b>	H	
<b>NEMA-NOM-EFF</b>	84			<b>PF</b>	69					
<b>RATING</b>	40C AMB-CONT									
<b>CC</b>									<b>USABLE AT 208V</b>	
<b>DE</b>	6205				<b>ODE</b>	6205				
<b>ENCL</b>	TENV		<b>SN</b>							
	4:1CT, 10:1VT									

Parts List		
Part Number	Description	Quantity
SA346324	SA 35E4735N561G1	1.000 EA
RA334834	RA 35E4735N561G1	1.000 EA
RM1070A81	O-RING, -043 VITON/FKM .070CS X 3.489ID	1.000 EA
11XW1032G08	10-32 X .50, TAPTITE II, HEX WSHR SLTD U	1.000 EA
HW3001B02	BRASS CUP WASHER W/GROUND SYMBOL TAB,	1.000 EA
35EP1940A03	FRONT TENV 205 BRG (STAINLESS)	1.000 EA
RM1070A25	O-RING, VITON/FKM .070CS X 6.190ID	1.000 EA
HA4054	SHORT T-DRAIN FITTING, .125" N.P.T.	1.000 EA
HW4500S33	1/8 NPT STAINLESS #304 SS PLUG	3.000 EA
HW5100A05	WVY WSHR F/205 & 304 BRGS	1.000 EA
35EP1935A02	PULLEY 56C/143-5TC ENCL 205 BRG	1.000 EA
RM1070A25	O-RING, VITON/FKM .070CS X 6.190ID	1.000 EA
HW4600G01	.984X1.499X.25 VITON SLICK SERIES LIP	1.000 EA
HW4600E99	25 X 42 X 6 AFX SEAL, GRAPHITE INFUSED V	1.000 EA
HW4500S33	1/8 NPT STAINLESS #304 SS PLUG	3.000 EA
HA4054	SHORT T-DRAIN FITTING, .125" N.P.T.	1.000 EA
RM1070A26	O-RING,4.5MM I.D.X1.5MM C.S. (VITON)	4.000 EA
RM1070A81	O-RING, -043 VITON/FKM .070CS X 3.489ID	1.000 EA
HW2502D13	SS KEY, 3/16 SQ X 1.375	1.000 EA
HA7000A04	KEY RETAINER 0.625 DIA SHAFTS	1.000 EA
MJ5001A27	32220KN GRAY SEALER *MIN BUY 4 QTS=1GAL	0.005 QT
MJ5004A93	FOOD GRADE (H1 RATED) ANTISEIZE THRD COM	0.005 EA
MJ1000A02	GREASE, POLYREX EM EXXON (USe 4824-15A)	0.050 LB
WD5603A02	KIT, CLOSED-END LEAD SPLICE (18-14GA)	1.000 EA

<b>Parts List (continued)</b>		
<b>Part Number</b>	<b>Description</b>	<b>Quantity</b>
HA3100FS25	THRUBOLT, 10-32 X 9.500 SS FOOD SAFE	4.000 EA
36PA1000	PKG GRP, PRINT PK1016A06	1.000 EA
MN416A01	TAG-INSTAL-MAINT no wire (1200/bx) 5/18	1.000 EA
HA5027A07	85XU1208S08 FACE DRAIN PINS BAGGED	1.000 EA
FE-0000001	ZRTG FE ASSEMBLY	1.000 EA

**AC Induction Motor Performance Data**

Record # 50322 - Typical performance - not guaranteed values

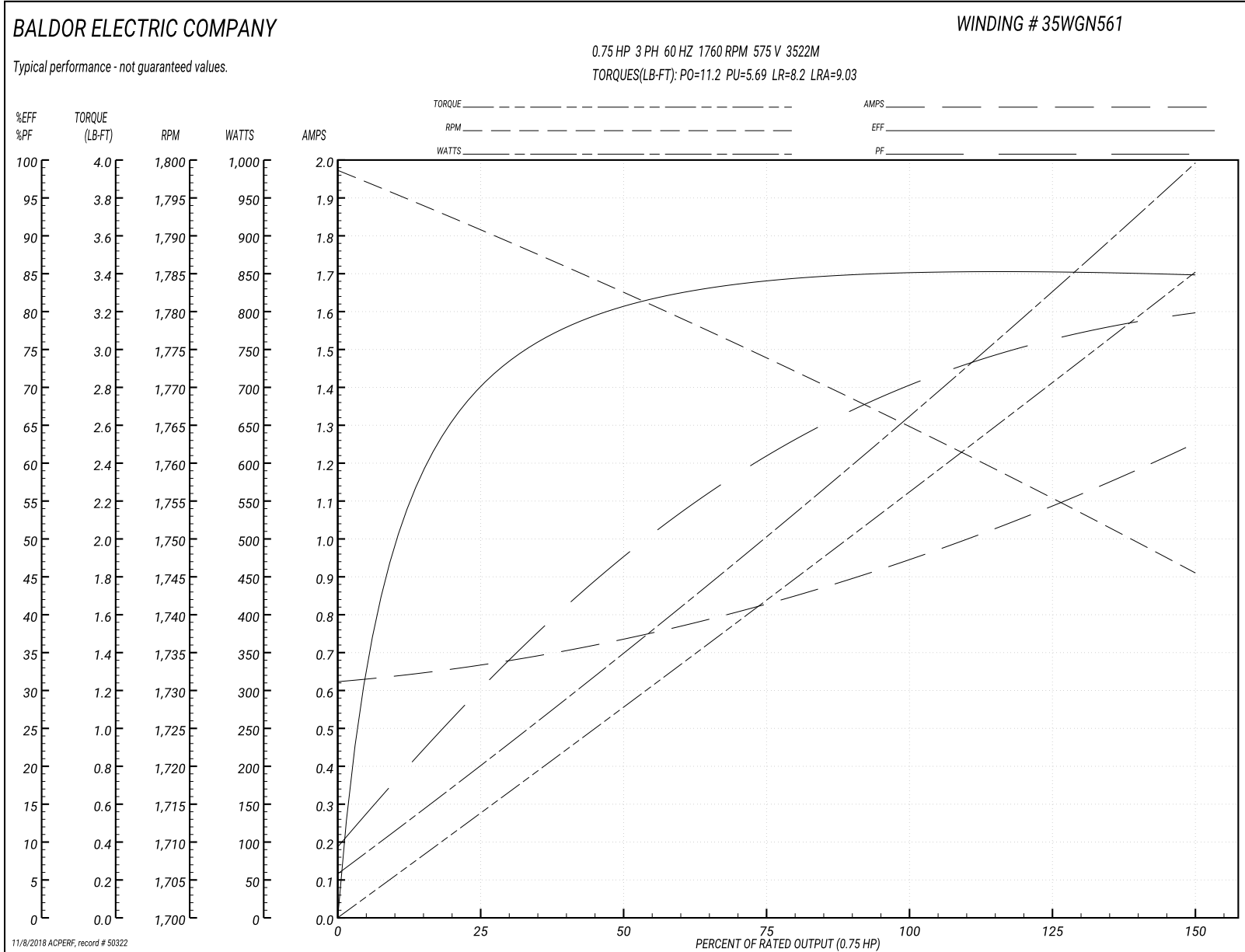
<b>Winding:</b> 35WGN561-R001	<b>Type:</b> 3522M	<b>Enclosure:</b> TENV
-------------------------------	--------------------	------------------------

Nameplate Data				575 V, 60 Hz: Single Voltage Motor	
Rated Output (HP)	.75			Full Load Torque	2.24 LB-FT
Volts	575			Start Configuration	direct on line
Full Load Amps	1			Breakdown Torque	11.2 LB-FT
R.P.M.	1760			Pull-up Torque	5.69 LB-FT
Hz	60	Phase	3	Locked-rotor Torque	8.2 LB-FT
NEMA Design Code	B	KVA Code	N	Starting Current	9.03 A
Service Factor (S.F.)	1.15			No-load Current	0.634 A
NEMA Nom. Eff.	84	Power Factor	65	Line-line Res. @ 25°C	25.2 Ω
Rating - Duty	40C AMB-CONT			Temp. Rise @ Rated Load	61°C
S.F. Amps				Temp. Rise @ S.F. Load	70°C
				Locked-rotor Power Factor	51.8
				Rotor inertia	0.13 LB-FT <sup>2</sup>

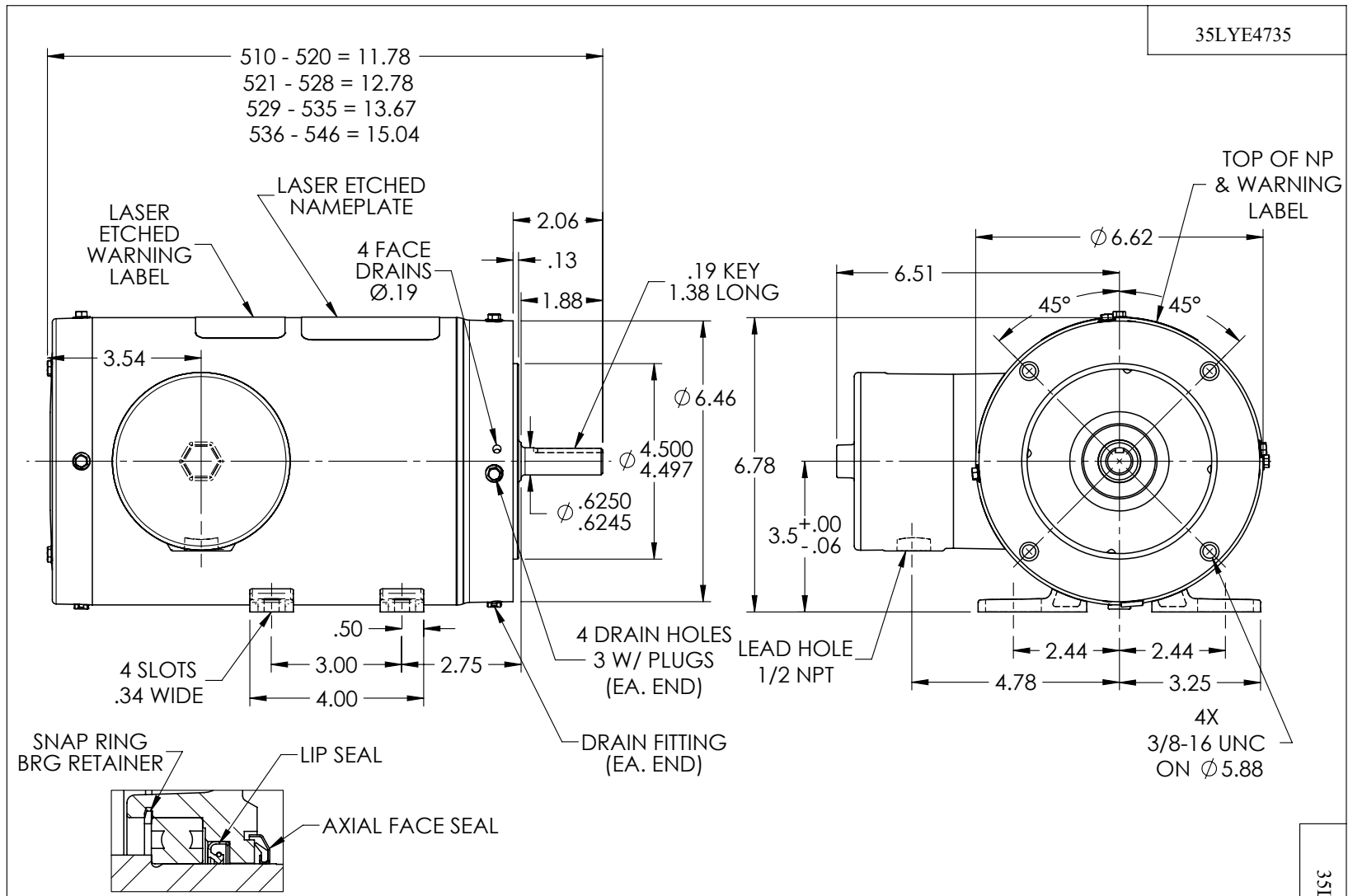
Load Characteristics 575 V, 60 Hz, 0.75 HP

% of Rated Load	25	50	75	100	125	150	S.F.
Power Factor	32	49	62	69	76	81	69
Efficiency	71.3	80.6	84.2	85.2	85.2	84.9	84
Speed	1790	1782	1774	1765	1756	1745	1752
Line amperes	0.661	0.726	0.82	0.963	1.1	1.24	1.11

Performance Graph at 575V, 60Hz, 0.75HP Typical performance - Not guaranteed values







35LYE4735

**PULLEY END DETAIL**

CUSTOMER IS RESPONSIBLE FOR DETERMINING THAT BALDOR'S PRODUCT WILL PERFORM SUITABLY IN THE INTENDED APPLICATION

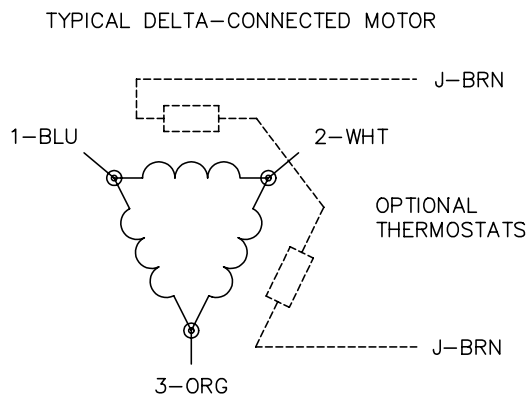
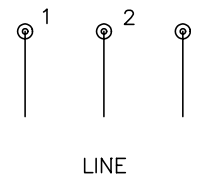
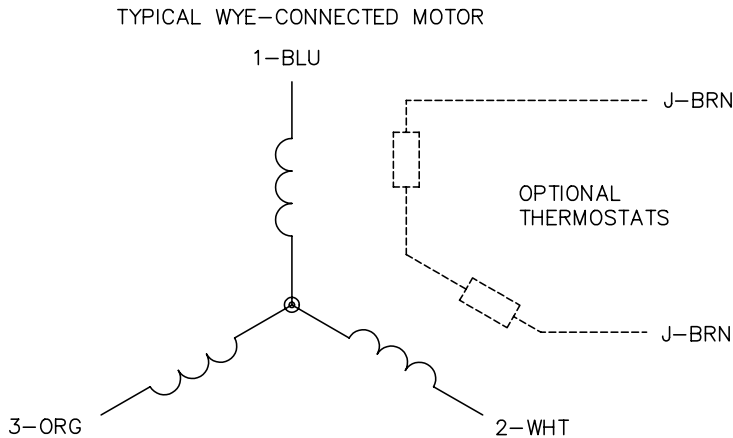
REV. DESC: RELOCATE THE NAMEPLATE TOWARD THE DRIVE END			
REV: A	VERSION: 01	REVISED: 01:52:18 10/17/2017	TDR: 000001046834
35LYE4735		MODEL NO. 35LYE4735	REF: -
		BY: ENANGGO	

**BALDOR**

STD HORZ 56C TENV 35M WD11/12

35LYE4735

CD0006



NOTES:

1. THREE LEAD MOTOR MAY BE EITHER WYE CONNECTED OR DELTA CONNECTED.
2. INTERCHANGE ANY TWO LINE LEADS TO REVERSE ROTATION.
3. OPTIONAL THERMOSTATS ARE PROVIDED WHEN SPECIFIED.
4. ACTUAL NUMBER OF INTERNAL PARALLEL CIRCUITS MAY VARY.
5. LEAD COLORS ARE OPTIONAL. LEADS MUST BE NUMBERED AS SHOWN.

REV. DESC: REVISE TO SHOW OPTIONAL COLORS			
REV. LTR: D	BY: JLP	REVISED: 01/21/99 4:02	TDR: 0171435
9000D		FILE: AAA00005141	MDL: -
		MTL: -	

**BALDOR ELECTRIC Co.**

3PH, SV, 3 LEADS, WYE OR DELTA CONNECTED

CD0006