

BALDOR® • RELIANCE 

Product Information Packet

CFSWDM3558T-5E

2HP,1750RPM,3PH,60HZ,145TC,3528M,TEFC,F1

Part Detail							
Revision:	B	Status:	PRD/A	Change #:		Proprietary:	No
Type:	AC	Elec. Spec:	35WGL784	CD Diagram:	CD0006	Mfg Plant:	
Mech. Spec:	35E4743	Layout:	35LYE4743	Poles:	04	Created Date:	07-31-2017
Base:	RG	Eff. Date:	04-11-2018	Leads:	3#18		

Specs			
Catalog Number:	CFSWDM3558T-5E	KVA Code:	L
Enclosure:	TEFC	Lifting Lugs:	No Lifting Lugs
Frame:	145TC	Locked Bearing Indicator:	Locked Bearing
Frame Material:	Stainless Steel	Motor Finish:	UNPAINTED
Output @ Frequency:	2.000 HP @ 60 HZ	Motor Lead Quantity/Wire Size:	3 @ 18 AWG
Synchronous Speed @ Frequency:	1800 RPM @ 60 HZ	Motor Lead Exit:	Ko Box
Voltage @ Frequency:	575.0 V @ 60 HZ	Motor Lead Termination:	Flying Leads
XP Class and Group:	None	Motor Type:	3528M
XP Division:	Not Applicable	Mounting Arrangement:	F1
Agency Approvals:	UR	Power Factor:	75
	CSA	Product Family:	WD All SS Encapsulated
Auxillary Box:	No Auxillary Box	Pulley End Bearing Type:	Sealed Bearing
Auxillary Box Lead Termination:	None	Pulley Face Code:	C-Face
Base Indicator:	Rigid	Pulley Shaft Indicator:	Standard
Bearing Grease Type:	Polyrex EM (-20F +300F)	Rodent Screen:	None
Blower:	None	RoHS Status:	ROHS COMPLIANT
Current @ Voltage:	2.300 A @ 575.0 V	Shaft Extension Location:	Pulley End
Design Code:	B	Shaft Ground Indicator:	No Shaft Grounding

Drip Cover:	No Drip Cover	Shaft Rotation:	Reversible
Duty Rating:	CONT	Shaft Slinger Indicator:	No Slinger
Electrically Isolated Bearing:	Not Electrically Isolated	Speed Code:	Single Speed
Feedback Device:	NO FEEDBACK	Motor Standards:	NEMA
Front Face Code:	Standard	Starting Method:	Direct on line
Front Shaft Indicator:	None	Thermal Device - Bearing:	None
Heater Indicator:	No Heater	Thermal Device - Winding:	None
Insulation Class:	H	Vibration Sensor Indicator:	No Vibration Sensor
Inverter Code:	Inverter Ready	Winding Thermal 1:	None
		Winding Thermal 2:	None

Nameplate NP1953A05										
CAT.NO.	CFSWDM3558T-5E									
SPEC.	35E4743L784G2									
HP	2									
VOLTS	575									
AMP	2.3									
RPM	1750									
FRAME	145TC				HZ	60			PH	3
SER.F.	1.15		CODE	L	DES	B		CLASS	H	
NEMA-NOM-EFF	86.5			PF	75					
RATING	40C AMB-CONT									
CC	010A				USABLE AT 208V					
DE	6205			ODE	6205					
ENCL	TEFC		SN							
	4:1CT, 10:1VT									

Parts List		
Part Number	Description	Quantity
SA350715	SA 35E4743L784G2	1.000 EA
RA339379	RA 35E4743L784G2	1.000 EA
35FN3002A05SP	EXFN, PLASTIC, 6.376 OD, .638 ID	1.000 EA
11XW1032G08	10-32 X .50, TAPTITE II, HEX WSHR SLTD U	1.000 EA
HW3001B02	BRASS CUP WASHER W/GROUND SYMBOL TAB,	1.000 EA
35EP1940A05	FRONT TEFC 205 BRG (STAINLESS)	1.000 EA
RM1070A25	O-RING, VITON/FKM .070CS X 6.190ID	1.000 EA
HW4600G01	.984X1.499X.25 VITON SLICK SERIES LIP	1.000 EA
HW4600E99	25 X 42 X 6 AFX SEAL, GRAPHITE INFUSED V	1.000 EA
HW4500S33	1/8 NPT STAINLESS #304 SS PLUG	3.000 EA
HA4054	SHORT T-DRAIN FITTING, .125" N.P.T.	1.000 EA
HW5100A05	WVY WSHR F/205 & 304 BRGS	1.000 EA
35EP1935A02	PULLEY 56C/143-5TC ENCL 205 BRG	1.000 EA
RM1070A25	O-RING, VITON/FKM .070CS X 6.190ID	1.000 EA
HW4600G01	.984X1.499X.25 VITON SLICK SERIES LIP	1.000 EA
HW4600E99	25 X 42 X 6 AFX SEAL, GRAPHITE INFUSED V	1.000 EA
HW4500S33	1/8 NPT STAINLESS #304 SS PLUG	3.000 EA
HA4054	SHORT T-DRAIN FITTING, .125" N.P.T.	1.000 EA
RM1070A26	O-RING,4.5MM I.D.X1.5MM C.S. (VITON)	4.000 EA
35FH4005A39	IEC FH NO GREASER DEBURR/CLEAN - SS	1.000 EA
10XN1032FS06	HEX HD CAP SCREW 10-32 X 3/8 SS FOOD SAF	3.000 EA
RM1070A81	O-RING, -043 VITON/FKM .070CS X 3.489ID	1.000 EA
RM1070A81	O-RING, -043 VITON/FKM .070CS X 3.489ID	1.000 EA
HW2502D13	SS KEY, 3/16 SQ X 1.375	1.000 EA

Parts List (continued)		
Part Number	Description	Quantity
HA7000A01	KEY RETAINER 7/8" DIA SHAFT	1.000 EA
MJ5001A27	32220KN GRAY SEALER *MIN BUY 4 QTS=1GAL	0.005 QT
MJ5004A93	FOOD GRADE (H1 RATED) ANTISEIZE THRD COM	0.005 EA
MJ1000A02	GREASE, POLYREX EM EXXON (USe 4824-15A)	0.050 LB
11XB1214S16	12-14X1.00 HXWSSLD TYP B STAINLESS	1.000 EA
WD5603A02	KIT, CLOSED-END LEAD SPLICE (18-14GA)	1.000 EA
HA3100FS25	THRUBOLT, 10-32 X 9.500 SS FOOD SAFE	4.000 EA
36PA1000	PKG GRP, PRINT PK1016A06	1.000 EA
MN416A01	TAG-INSTAL-MAINT no wire (1200/bx) 5/18	1.000 EA
HA5027A07	85XU1208S08 FACE DRAIN PINS BAGGED	1.000 EA
FE-0000002	ZRTG FE ASSEMBLY	1.000 EA
PE-0000002	ZRTG PE ASSEMBLY	1.000 EA

AC Induction Motor Performance Data

Record # 71804 - Typical performance - not guaranteed values

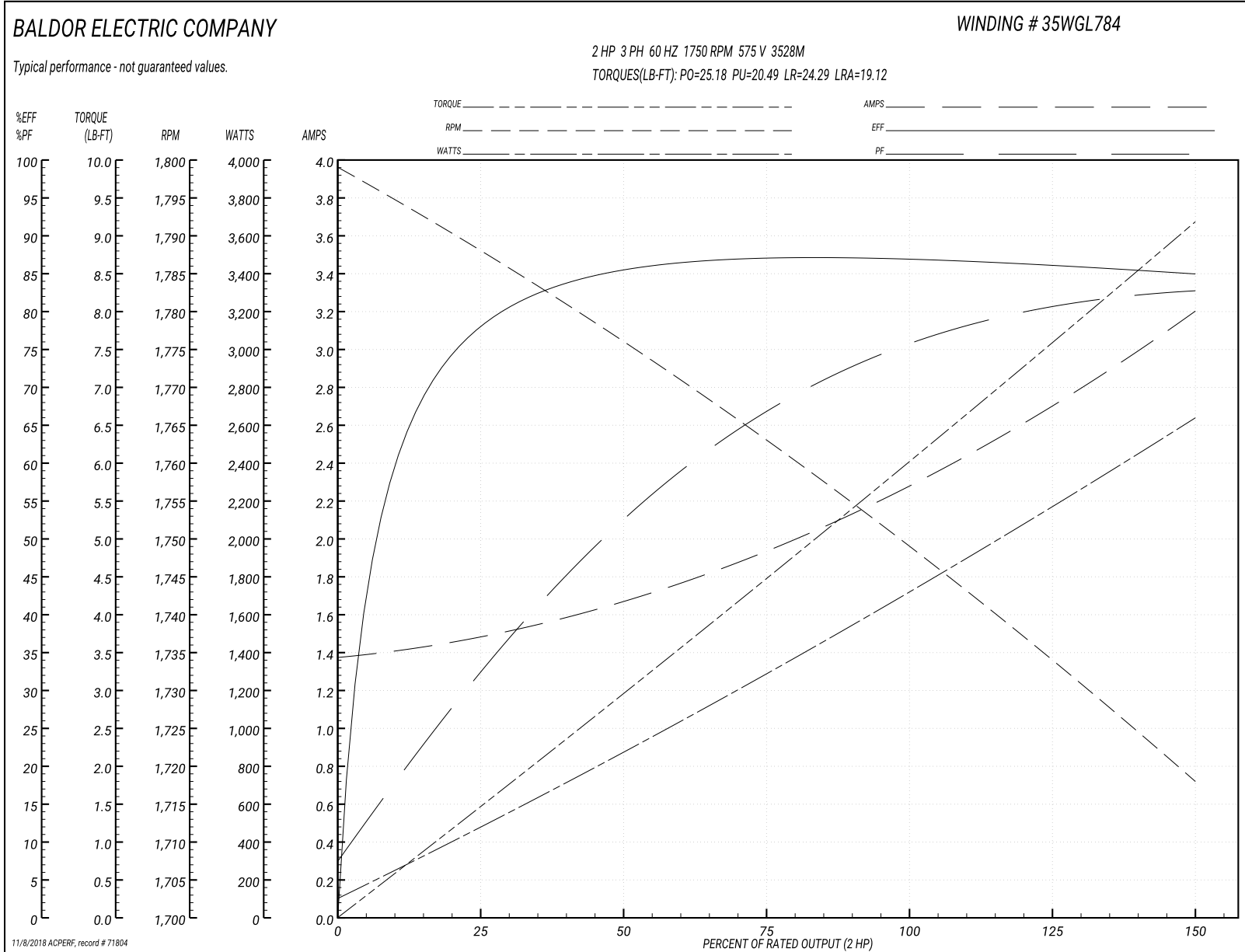
Winding: 35WGL784-R001	Type: 3528M	Enclosure: TEFC
-------------------------------	--------------------	------------------------

Nameplate Data				575 V, 60 Hz: Single Voltage Motor	
Rated Output (HP)	2			Full Load Torque	6.02 LB-FT
Volts	575			Start Configuration	direct on line
Full Load Amps	2.3			Breakdown Torque	25.18 LB-FT
R.P.M.	1750			Pull-up Torque	20.49 LB-FT
Hz	60	Phase	3	Locked-rotor Torque	24.29 LB-FT
NEMA Design Code	B	KVA Code	L	Starting Current	19.12 A
Service Factor (S.F.)	1.15			No-load Current	1.39 A
NEMA Nom. Eff.	86.5	Power Factor	75	Line-line Res. @ 25°C	11.5 Ω
Rating - Duty	40C AMB-CONT			Temp. Rise @ Rated Load	56°C
S.F. Amps				Temp. Rise @ S.F. Load	68°C
				Locked-rotor Power Factor	49.3
				Rotor inertia	0.165 LB-FT ²

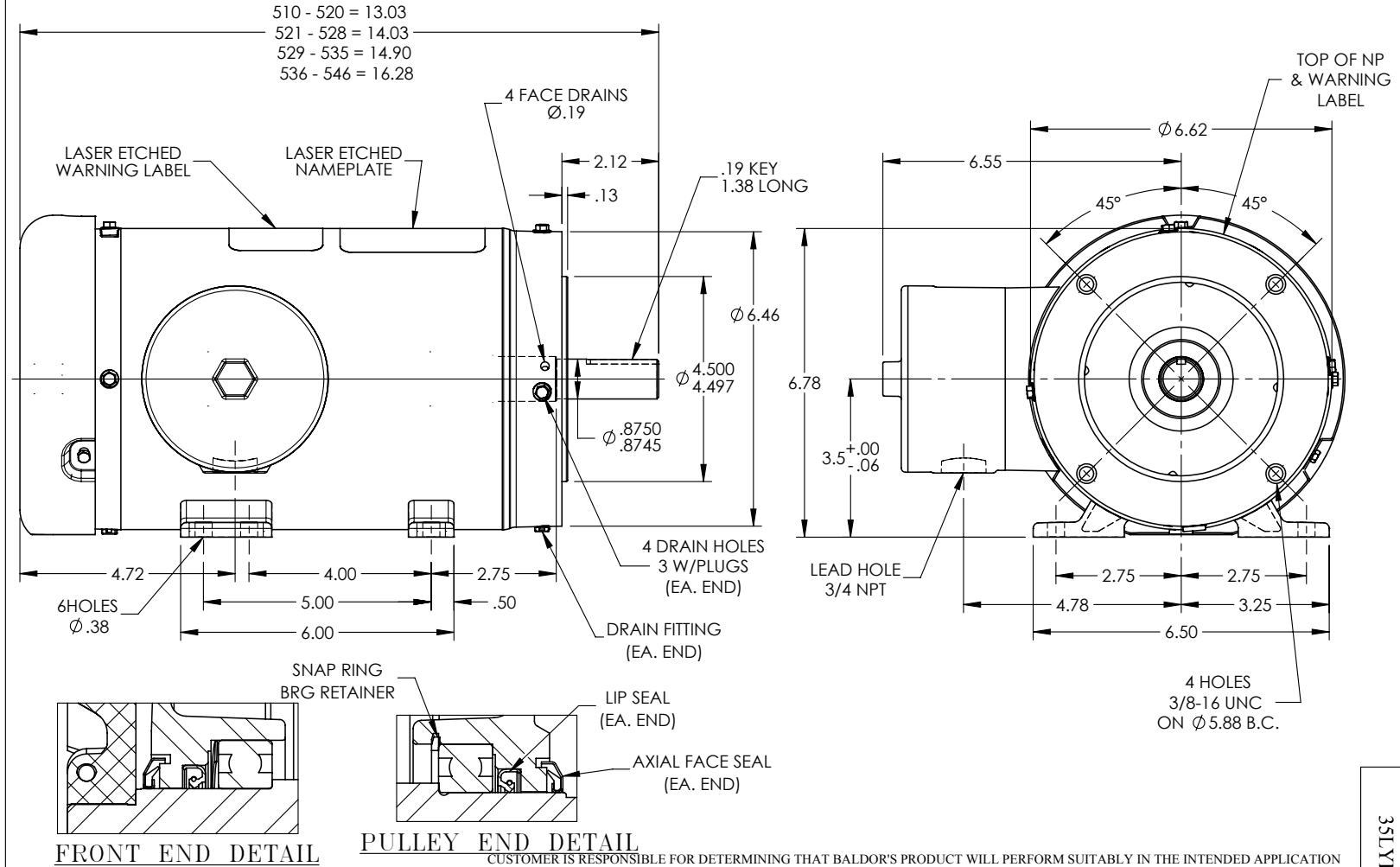
Load Characteristics 575 V, 60 Hz, 2 HP

% of Rated Load	25	50	75	100	125	150	S.F.
Power Factor	33	53	67	75	80	83	78
Efficiency	77.8	85.3	87	87	86.2	84.8	86.5
Speed	1788	1776	1763	1749	1734	1718	1740
Line amperes	1.47	1.65	1.94	2.3	2.71	3.19	2.55

Performance Graph at 575V, 60Hz, 2.0HP Typical performance - Not guaranteed values



35LYE4743



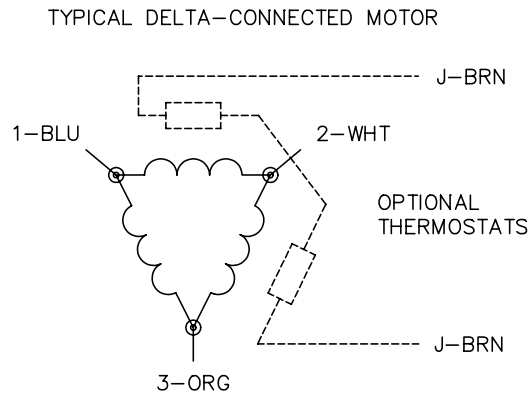
35LYE4743

REV. DESC: NEW			
REV: -	VERSION: 00	REVISED: 03:05:52 01/15/2018	TDR: 000001030651
35LYE4743	MODEL NO. 35LYE4743	REF: -	
	BY: ENMARH0		

BALDOR

STD HORZ 143-5TC TEFC 35M WD11/12

CD0006



NOTES:

1. THREE LEAD MOTOR MAY BE EITHER WYE CONNECTED OR DELTA CONNECTED.
2. INTERCHANGE ANY TWO LINE LEADS TO REVERSE ROTATION.
3. OPTIONAL THERMOSTATS ARE PROVIDED WHEN SPECIFIED.
4. ACTUAL NUMBER OF INTERNAL PARALLEL CIRCUITS MAY VARY.
5. LEAD COLORS ARE OPTIONAL. LEADS MUST BE NUMBERED AS SHOWN.

REV. DESC: REVISE TO SHOW OPTIONAL COLORS			
REV. LTR: D	BY: JLP	REVISED: 01/21/99 4:02	TDR: 0171435
9000D		FILE: AAA00005141	MDL: -
		MTL: -	

BALDOR ELECTRIC Co.

3PH, SV, 3 LEADS, WYE OR DELTA CONNECTED

CD0006