

BALDOR® • RELIANCE 

Product Information Packet

CFSWDM3611T-5E

3HP, 1760RPM, 3PH, 60HZ, 182TC, 3636M, TEFC, F1

Part Detail							
Revision:	E	Status:	PRD/A	Change #:		Proprietary:	No
Type:	AC	Elec. Spec:	36WGR066	CD Diagram:	CD0006	Mfg Plant:	
Mech. Spec:	36R552	Layout:	36LYR552	Poles:	04	Created Date:	08-01-2017
Base:	RG	Eff. Date:	04-11-2018	Leads:	3#16		

Specs			
Catalog Number:	CFSWDM3611T-5E	KVA Code:	K
Enclosure:	TEFC	Lifting Lugs:	Standard Lifting Lugs
Frame:	182TC	Locked Bearing Indicator:	Locked Bearing
Frame Material:	Stainless Steel	Motor Lead Quantity/Wire Size:	3 @ 16 AWG
Output @ Frequency:	3.000 HP @ 60 HZ	Motor Lead Exit:	Ko Box
Synchronous Speed @ Frequency:	1800 RPM @ 60 HZ	Motor Lead Termination:	Flying Leads
Voltage @ Frequency:	575.0 V @ 60 HZ	Motor Type:	3636M
XP Class and Group:	None	Mounting Arrangement:	F1
XP Division:	Not Applicable	Power Factor:	76
Agency Approvals:	UR	Product Family:	WD All SS Encapsulated
	CSA	Pulley End Bearing Type:	Sealed Bearing
Auxillary Box:	No Auxillary Box	Pulley Face Code:	C-Face
Auxillary Box Lead Termination:	None	Pulley Shaft Indicator:	Standard
Base Indicator:	Rigid	Rodent Screen:	None
Bearing Grease Type:	Polyrex EM (-20F +300F)	RoHS Status:	ROHS COMPLIANT
Blower:	None	Shaft Extension Location:	Pulley End
Current @ Voltage:	3.300 A @ 575.0 V	Shaft Ground Indicator:	No Shaft Grounding
Design Code:	B	Shaft Rotation:	Reversible

Drip Cover:	No Drip Cover	Shaft Slinger Indicator:	Shaft Slinger
Duty Rating:	CONT	Speed Code:	Single Speed
Electrically Isolated Bearing:	Not Electrically Isolated	Motor Standards:	NEMA
Feedback Device:	NO FEEDBACK	Starting Method:	Direct on line
Front Face Code:	Standard	Thermal Device - Bearing:	None
Front Shaft Indicator:	None	Thermal Device - Winding:	None
Heater Indicator:	No Heater	Vibration Sensor Indicator:	No Vibration Sensor
Insulation Class:	H	Winding Thermal 1:	None
Inverter Code:	Inverter Ready	Winding Thermal 2:	None

Nameplate NP1953A05										
CAT.NO.	CFSWDM3611T-5E									
SPEC.	36R552R066G2									
HP	3									
VOLTS	575									
AMP	3.3									
RPM	1760									
FRAME	182TC				HZ	60			PH	3
SER.F.	1.15		CODE	K	DES	B	CLASS	H		
NEMA-NOM-EFF	89.5		PF	76						
RATING	40C AMB-CONT									
CC	010A				USABLE AT 208V					
DE	6206			ODE	6206					
ENCL	TEFC		SN							
	4:1CT, 10:1VT									

Parts List		
Part Number	Description	Quantity
SA346220	SA 36R552R066G2	1.000 EA
RA334730	RA 36R552R066G2	1.000 EA
36FN3000C01SP	EXFN, PLASTIC, 5.25 OD, .912 ID	1.000 EA
35CB1012A01	35-36 MACH MID SECTION - 3 PC. CONDUIT B	1.000 EA
RM1070A81	O-RING, -043 VITON/FKM .070CS X 3.489ID	1.000 EA
10XN1032FS08	HEX HD CAP SCREW 10-32 X 1/2 SS FOOD SAF	3.000 EA
11XW1032G08	10-32 X .50, TAPTITE II, HEX WSHR SLTD U	1.000 EA
HW3001B01	BRASS CUP WASHER, FOR #10 SCREW	1.000 EA
36EP1920A02P	FREP TEFC 206 BRG WD 11/12 (STAINLESS)	1.000 EA
RM1070A42	O-RING,(#70-7.239) VITON .070X7.239	1.000 EA
HW4600G02	30 X 47 X 8 LIP SEAL, GRAPHITE INFUSED V	1.000 EA
HW4600F25	30 X 48 X 4.5 AFX SEAL, GRAPHITE INFUSED	1.000 EA
HW4500S33	1/8 NPT STAINLESS #304 SS PLUG	3.000 EA
HA4002A03	#304 S.S. DRAIN FITTING, .125 NPT (.44 H	1.000 EA
HW5100A06	W2420-025 WVY WSHR (WB)	1.000 EA
36EP1925A02P	PUEP 182-4TC ENCL 206 BRG WD11/12 STAINL	1.000 EA
RM1070A42	O-RING,(#70-7.239) VITON .070X7.239	1.000 EA
HW4600G02	30 X 47 X 8 LIP SEAL, GRAPHITE INFUSED V	1.000 EA
HW4600F25	30 X 48 X 4.5 AFX SEAL, GRAPHITE INFUSED	1.000 EA
HW4500S33	1/8 NPT STAINLESS #304 SS PLUG	3.000 EA
HA4002A03	#304 S.S. DRAIN FITTING, .125 NPT (.44 H	1.000 EA
RM1070A14	O-RING, -010 VITON/FKM .070CS X .239ID	4.000 EA
11XB1214S16	12-14X1.00 HXWSSLD TYP B STAINLESS	1.000 EA
36FH4007	FAN COVER #304 STAINLESS W/OUT GREASER	1.000 EA

Parts List (continued)		
Part Number	Description	Quantity
10XN1032FS06	HEX HD CAP SCREW 10-32 X 3/8 SS FOOD SAF	3.000 EA
35CB1511A02	36-37 MACH. LID - 3 PC. CONDUIT BOX	1.000 EA
RM1070A81	O-RING, -043 VITON/FKM .070CS X 3.489ID	1.000 EA
HW2502E16	#303 SS,SQ KEY 1/4 X 1.750	1.000 EA
HA7000A02	KEY RETAINER RING, 1 1/8 DIA, 1 3/8 DIA	1.000 EA
MJ5001A27	32220KN GRAY SEALER *MIN BUY 4 QTS=1GAL	0.005 QT
MJ5004A93	FOOD GRADE (H1 RATED) ANTISEIZE THRD COM	0.005 EA
MJ1000A02	GREASE, POLYREX EM EXXON (USe 4824-15A)	0.050 LB
WD5603A02	KIT, CLOSED-END LEAD SPLICE (18-14GA)	1.000 EA
HA3101FS55	THRUBOLT, 1/4-20 X 13.250 SS FOOD SAFE	4.000 EA
G0PA1000	PKG GRP, PRINT PK1026A06	1.000 EA
MN416A01	TAG-INSTAL-MAINT no wire (1200/bx) 5/18	1.000 EA
HA5027A07	85XU1208S08 FACE DRAIN PINS BAGGED	1.000 EA
FE-0000002	ZRTG FE ASSEMBLY	1.000 EA
PE-0000002	ZRTG PE ASSEMBLY	1.000 EA

AC Induction Motor Performance Data

Record # 40791 - Typical performance - not guaranteed values

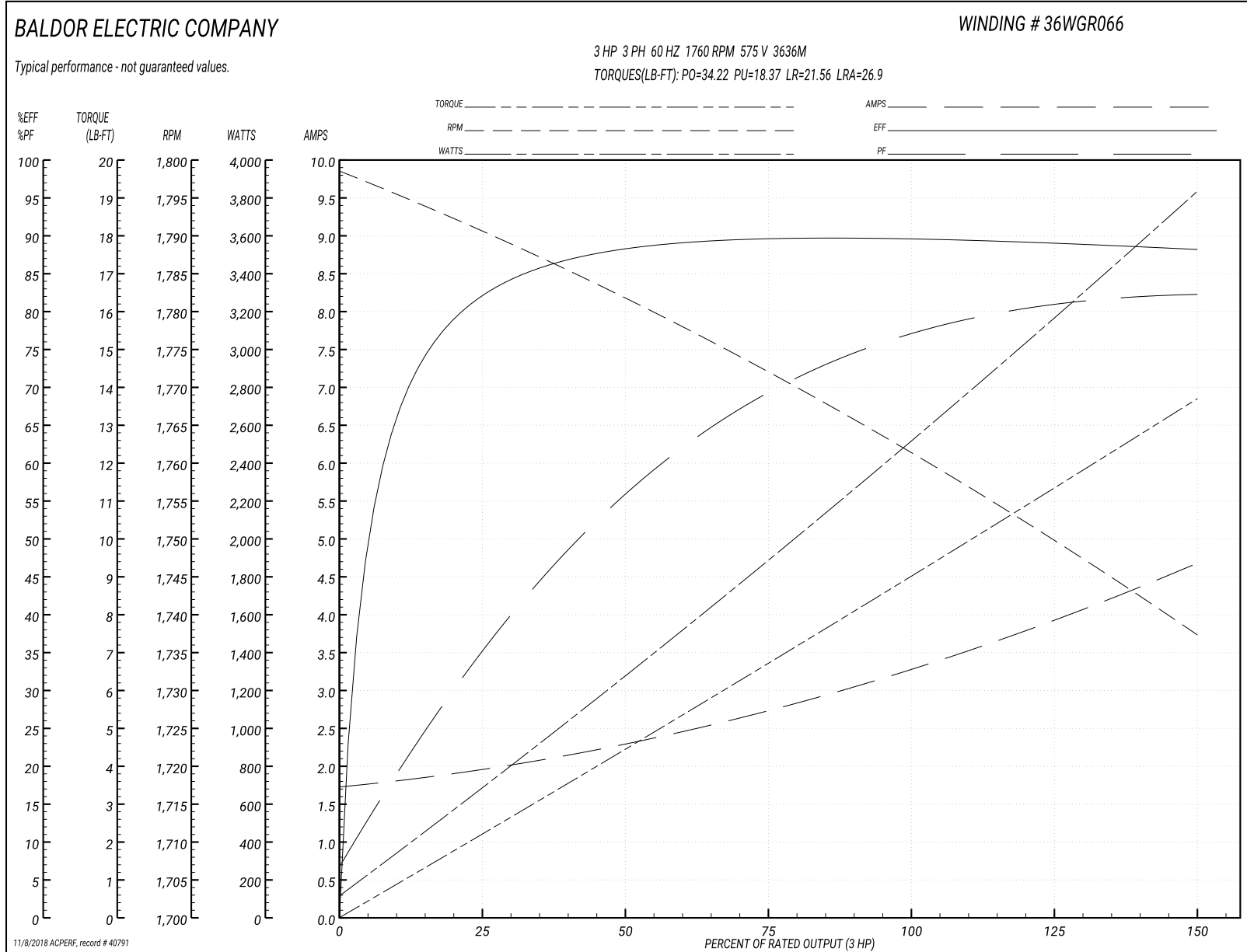
Winding: 36WGR066-R001	Type: 3636M	Enclosure: TEFC
-------------------------------	--------------------	------------------------

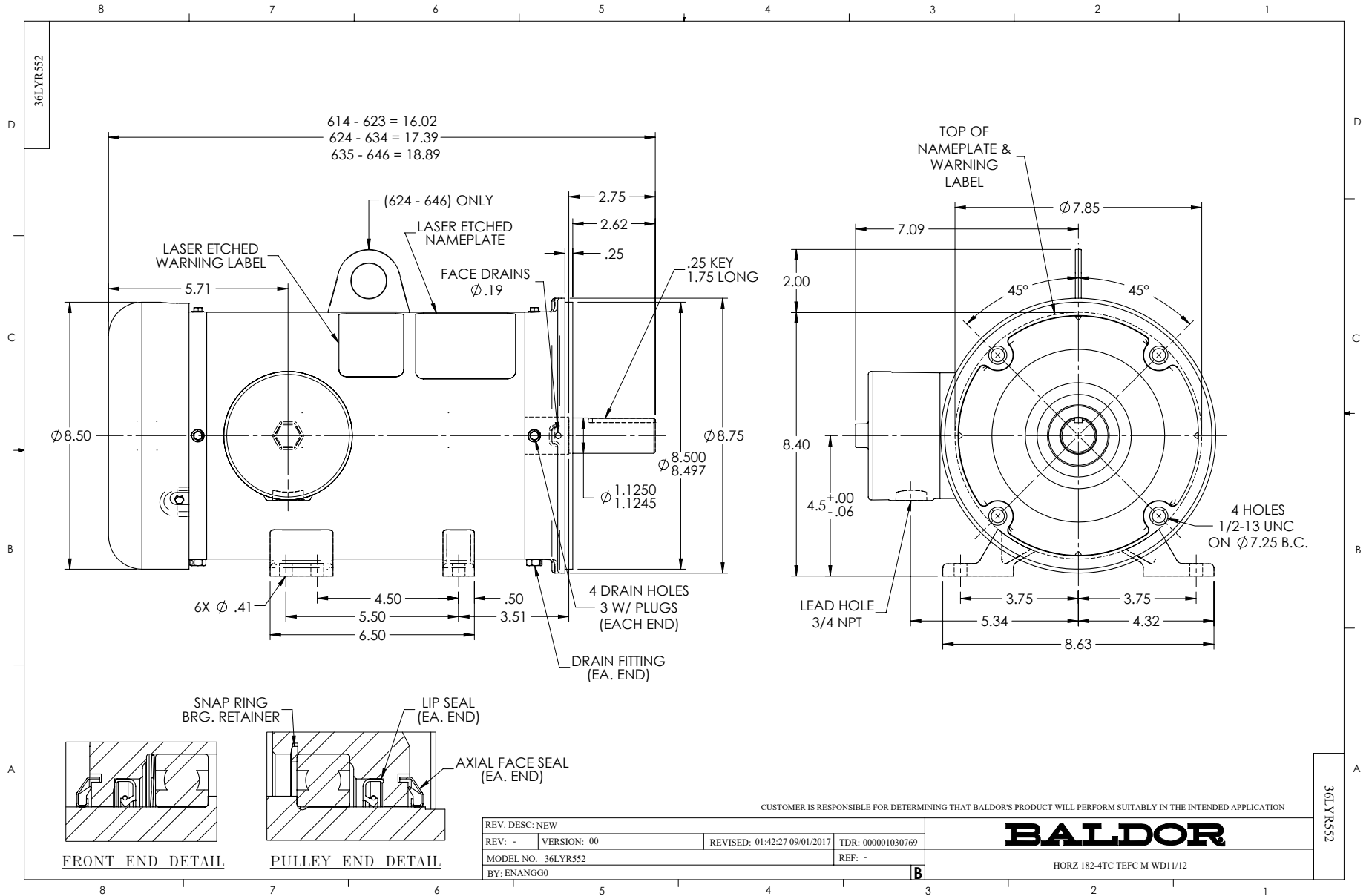
Nameplate Data				575 V, 60 Hz: Single Voltage Motor	
Rated Output (HP)	3			Full Load Torque	9.04 LB-FT
Volts	575			Start Configuration	direct on line
Full Load Amps	3.3			Breakdown Torque	34.22 LB-FT
R.P.M.	1760			Pull-up Torque	18.37 LB-FT
Hz	60	Phase	3	Locked-rotor Torque	21.56 LB-FT
NEMA Design Code	B	KVA Code	K	Starting Current	26.9 A
Service Factor (S.F.)	1.15			No-load Current	1.76 A
NEMA Nom. Eff.	89.5	Power Factor	76	Line-line Res. @ 25°C	5.72 Ω
Rating - Duty	40C AMB-CONT			Temp. Rise @ Rated Load	62°C
S.F. Amps				Temp. Rise @ S.F. Load	74°C
				Locked-rotor Power Factor	41.1
				Rotor inertia	0.335 LB-FT ²

Load Characteristics 575 V, 60 Hz, 3 HP

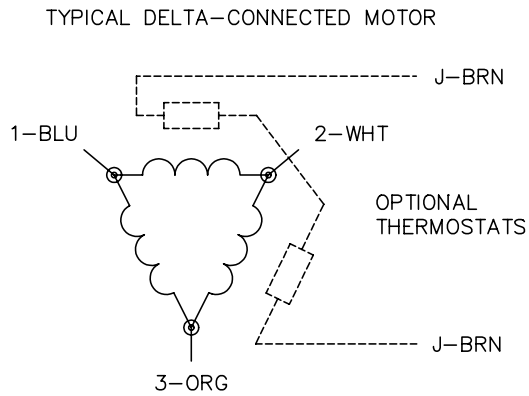
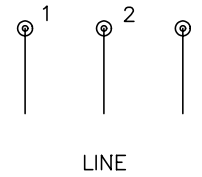
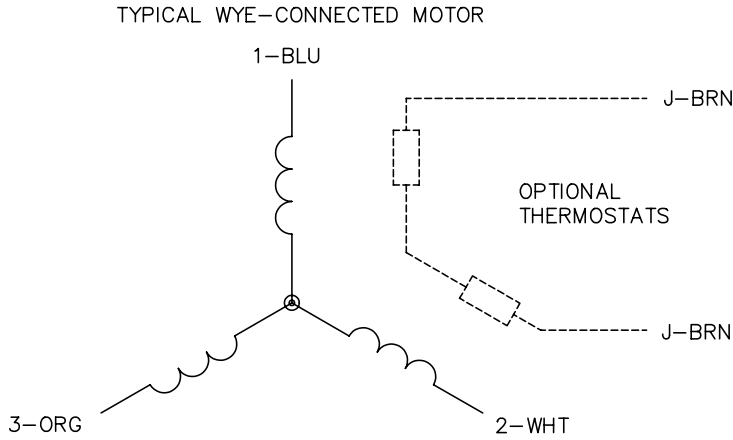
% of Rated Load	25	50	75	100	125	150	S.F.
Power Factor	37	57	70	76	80	83	78
Efficiency	82.6	88.1	89.6	89.7	89	88.2	89.3
Speed	1790	1781	1772	1762	1750	1737	1755
Line amperes	1.93	2.27	2.74	3.32	3.95	4.65	3.71

Performance Graph at 575V, 60Hz, 3.0HP Typical performance - Not guaranteed values





CD0006



NOTES:

1. THREE LEAD MOTOR MAY BE EITHER WYE CONNECTED OR DELTA CONNECTED.
2. INTERCHANGE ANY TWO LINE LEADS TO REVERSE ROTATION.
3. OPTIONAL THERMOSTATS ARE PROVIDED WHEN SPECIFIED.
4. ACTUAL NUMBER OF INTERNAL PARALLEL CIRCUITS MAY VARY.
5. LEAD COLORS ARE OPTIONAL. LEADS MUST BE NUMBERED AS SHOWN.

REV. DESC: REVISE TO SHOW OPTIONAL COLORS			
REV. LTR: D	BY: JLP	REVISED: 01/21/99 4:02	TDR: 0171435
9000D		FILE: AAA00005141	MDL: -
		MTL: -	

BALDOR ELECTRIC Co.

3PH, SV, 3 LEADS, WYE OR DELTA CONNECTED

CD0006