

**BALDOR® • RELIANCE** 

**Product Information Packet**

**CFSWDNM3555-E**

**2HP,3480RPM,3PH,60HZ,56C,3546M,TENV,F1,N**

Part Detail							
Revision:	C	Status:	PRD/A	Change #:		Proprietary:	No
Type:	AC	Elec. Spec:	35WGL288	CD Diagram:	CD0005	Mfg Plant:	
Mech. Spec:	35E4735	Layout:	35LYE4735	Poles:	02	Created Date:	07-18-2017
Base:	RG	Eff. Date:	06-15-2018	Leads:	9#18 15" lead length,0#0 dbl dip & bake,0#0 phase insulaY		

Specs			
Catalog Number:	CFSWDNM3555-E	KVA Code:	N
Enclosure:	TENV	Lifting Lugs:	No Lifting Lugs
Frame:	56C	Locked Bearing Indicator:	Locked Bearing
Frame Material:	Stainless Steel	Motor Finish:	UNPAINTED
Output @ Frequency:	2.000 HP @ 60 HZ	Motor Lead Quantity/Wire Size:	@ 0 AWG
Synchronous Speed @ Frequency:	3600 RPM @ 60 HZ		9 @ 18 AWG
Voltage @ Frequency:	230.0 V @ 60 HZ	Motor Lead Exit:	Ko Box
	460.0 V @ 60 HZ	Motor Lead Termination:	Flying Leads
XP Class and Group:	None	Motor Type:	3546M
XP Division:	Not Applicable	Mounting Arrangement:	F1
Agency Approvals:	UR	Power Factor:	89
	CSA	Product Family:	WD All SS Encapsulated
Auxillary Box:	No Auxillary Box	Pulley End Bearing Type:	Sealed Bearing
Auxillary Box Lead Termination:	None	Pulley Face Code:	C-Face
Base Indicator:	Rigid	Pulley Shaft Indicator:	Standard
Bearing Grease Type:	Polyrex EM (-20F +300F)	Rodent Screen:	None
Blower:	None	RoHS Status:	ROHS COMPLIANT
Current @ Voltage:	2.400 A @ 460.0 V	Shaft Extension Location:	Pulley End

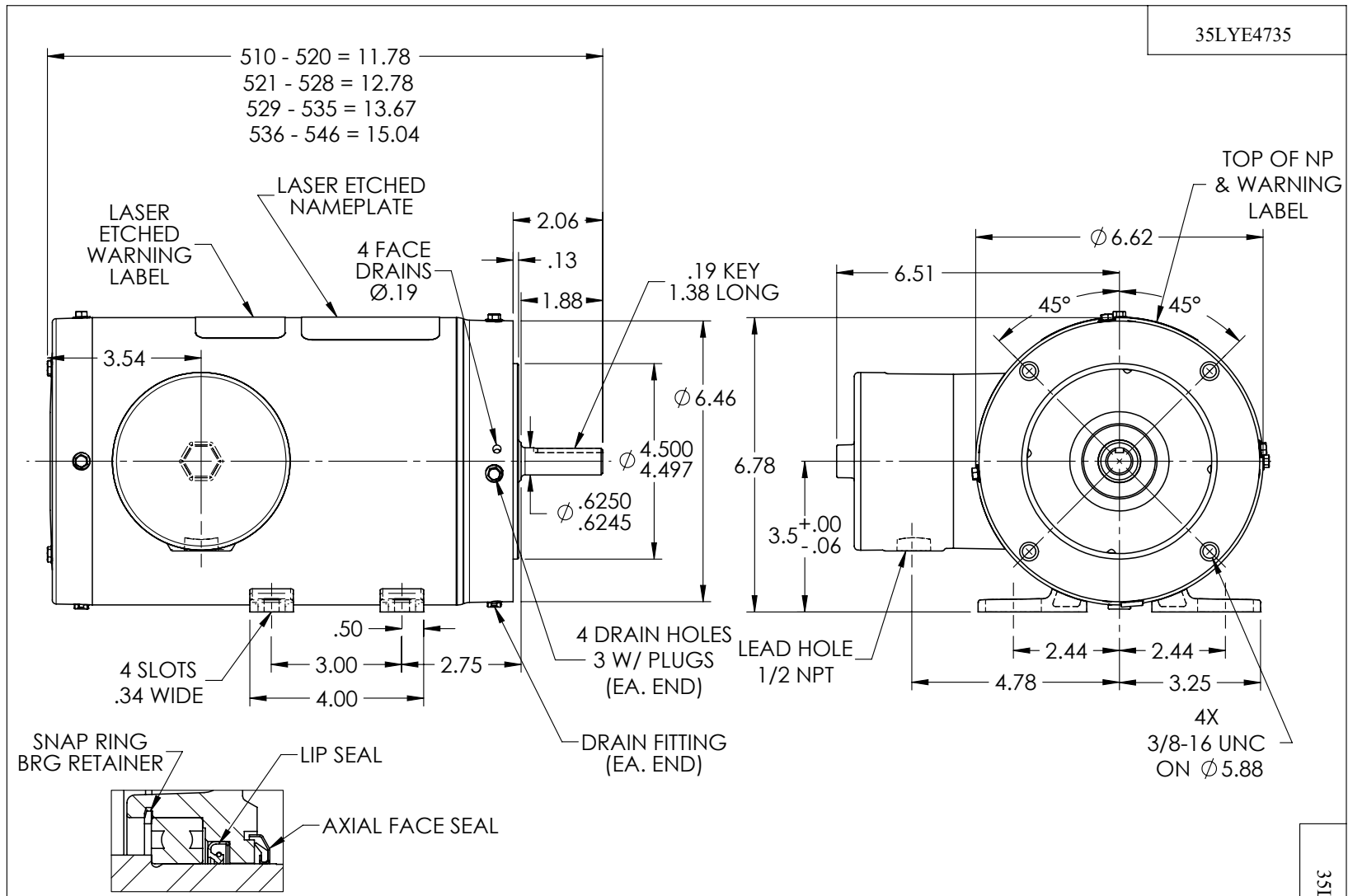
	4.800 A @ 230.0 V	<b>Shaft Ground Indicator:</b>	No Shaft Grounding
<b>Design Code:</b>	B	<b>Shaft Rotation:</b>	Reversible
<b>Drip Cover:</b>	No Drip Cover	<b>Shaft Slinger Indicator:</b>	No Slinger
<b>Duty Rating:</b>	CONT	<b>Speed Code:</b>	Single Speed
<b>Electrically Isolated Bearing:</b>	Not Electrically Isolated	<b>Motor Standards:</b>	NEMA
<b>Feedback Device:</b>	NO FEEDBACK	<b>Starting Method:</b>	Direct on line
<b>Front Face Code:</b>	Standard	<b>Thermal Device - Bearing:</b>	None
<b>Front Shaft Indicator:</b>	None	<b>Thermal Device - Winding:</b>	None
<b>Heater Indicator:</b>	No Heater	<b>Vibration Sensor Indicator:</b>	No Vibration Sensor
<b>Insulation Class:</b>	H	<b>Winding Thermal 1:</b>	None
<b>Inverter Code:</b>	Not Inverter	<b>Winding Thermal 2:</b>	None

<b>Nameplate NP1953A01</b>											
<b>CAT.NO.</b>	CFSWDNM3555-E										
<b>SPEC.</b>	35E4735L288G1										
<b>HP</b>	2										
<b>VOLTS</b>	230/460										
<b>AMP</b>	4.8/2.4										
<b>RPM</b>	3480										
<b>FRAME</b>	56C				<b>HZ</b>	60				<b>PH</b>	3
<b>SER.F.</b>	1.15			<b>CODE</b>	N	<b>DES</b>	B		<b>CLASS</b>	H	
<b>NEMA-NOM-EFF</b>	88.5			<b>PF</b>	89						
<b>RATING</b>	40C AMB-CONT										
<b>CC</b>	010A			<b>USABLE AT 208V</b>							
<b>DE</b>	6205			<b>ODE</b>	6205						
<b>ENCL</b>	TENV		<b>SN</b>								
	4:1CT, 10:1VT										

Parts List		
Part Number	Description	Quantity
SA346303	SA 35E4735L288G1	1.000 EA
RA334813	RA 35E4735L288G1	1.000 EA
RM1070A81	O-RING, -043 VITON/FKM .070CS X 3.489ID	1.000 EA
11XW1032G08	10-32 X .50, TAPTITE II, HEX WSHR SLTD U	1.000 EA
HW3001B02	BRASS CUP WASHER W/GROUND SYMBOL TAB,	1.000 EA
35EP1940A03	FRONT TENV 205 BRG (STAINLESS)	1.000 EA
RM1070A25	O-RING, VITON/FKM .070CS X 6.190ID	1.000 EA
HA4054	SHORT T-DRAIN FITTING, .125" N.P.T.	1.000 EA
HW4500S33	1/8 NPT STAINLESS #304 SS PLUG	3.000 EA
HW5100A05	WVY WSHR F/205 & 304 BRGS	1.000 EA
35EP1935A02	PULLEY 56C/143-5TC ENCL 205 BRG	1.000 EA
RM1070A25	O-RING, VITON/FKM .070CS X 6.190ID	1.000 EA
HW4600G01	.984X1.499X.25 VITON SLICK SERIES LIP	1.000 EA
HW4600E99	25 X 42 X 6 AFX SEAL, GRAPHITE INFUSED V	1.000 EA
HW4500S33	1/8 NPT STAINLESS #304 SS PLUG	3.000 EA
HA4054	SHORT T-DRAIN FITTING, .125" N.P.T.	1.000 EA
RM1070A26	O-RING,4.5MM I.D.X1.5MM C.S. (VITON)	4.000 EA
RM1070A81	O-RING, -043 VITON/FKM .070CS X 3.489ID	1.000 EA
HW2502D13	SS KEY, 3/16 SQ X 1.375	1.000 EA
HA7000A04	KEY RETAINER 0.625 DIA SHAFTS	1.000 EA
MJ5001A27	32220KN GRAY SEALER *MIN BUY 4 QTS=1GAL	0.005 QT
MJ5004A93	FOOD GRADE (H1 RATED) ANTISEIZE THRD COM	0.005 EA
MJ1000A02	GREASE, POLYREX EM EXXON (USe 4824-15A)	0.050 LB
WD5603A01	KIT, CLOSED-END LEAD SPLICE (18-14GA)	1.000 EA

<b>Parts List (continued)</b>		
<b>Part Number</b>	<b>Description</b>	<b>Quantity</b>
HA3100FS61	THRUBOLT, 10-32 X 11.750 SS FOOD SAFE	4.000 EA
36PA1000	PKG GRP, PRINT PK1016A06	1.000 EA
MN416A01	TAG-INSTAL-MAINT no wire (1200/bx) 5/18	1.000 EA
HA5027A07	85XU1208S08 FACE DRAIN PINS BAGGED	1.000 EA
FE-0000001	ZRTG FE ASSEMBLY	1.000 EA
PE-0000002	ZRTG PE ASSEMBLY	1.000 EA

No performance data has been  
assigned to this product.



35LYE4735

**PULLEY END DETAIL**

CUSTOMER IS RESPONSIBLE FOR DETERMINING THAT BALDOR'S PRODUCT WILL PERFORM SUITABLY IN THE INTENDED APPLICATION

REV. DESC: RELOCATE THE NAMEPLATE TOWARD THE DRIVE END			
REV: A	VERSION: 01	REVISED: 01:52:18 10/17/2017	TDR: 000001046834
35LYE4735		MODEL NO. 35LYE4735	REF: -
		BY: ENANGGO	

**BALDOR**

STD HORZ 56C TENV 35M WD11/12

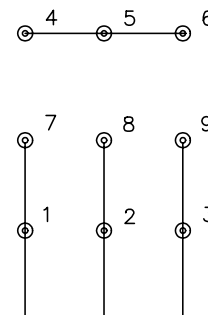
35LYE4735



CD0005

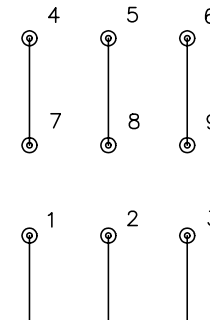


LOW VOLTAGE  
(2Y)



LINE

HIGH VOLTAGE  
(1Y)



LINE

NOTES:

1. INTERCHANGE ANY TWO LINE LEADS TO REVERSE ROTATION.
2. OPTIONAL THERMOSTATS ARE PROVIDED WHEN SPECIFIED.
3. ACTUAL NUMBER OF INTERNAL PARALLEL CIRCUITS MAY BE A MULTIPLE OF THOSE SHOWN ABOVE.
4. LEAD COLORS ARE OPTIONAL. LEADS MUST ALWAYS BE NUMBERED AS SHOWN.

REV. DESC: REVISE TO SHOW OPTIONAL COLORS

REV. LTR: E BY: JLP

REVISED: 01/19/99 10:15

TDR: 0171435

90000

FILE: AAA00005140

MDL: -

MTL: -

**BALDOR ELECTRIC Co.**

3PH, DV, 9 LEADS

CD0005