

BALDOR® • RELIANCE 

Product Information Packet

CL3712T

10HP,1740RPM,1PH,60HZ,213TC,3748LC,TEFC

| Part Detail | | | | | | | |
|-------------|--------|-------------|------------|-------------|---------------------|---------------|------------|
| Revision: | L | Status: | PRD/A | Change #: | | Proprietary: | No |
| Type: | AC | Elec. Spec: | 37WGT875 | CD Diagram: | CD1084 | Mfg Plant: | |
| Mech. Spec: | 37M317 | Layout: | 37LYM317 | Poles: | 04 | Created Date: | 02-05-2010 |
| Base: | RG | Eff. Date: | 08-10-2016 | Leads: | 2#10 A PH,2#14 B PH | | |

| Specs | | | |
|---------------------------------|-------------------------|--------------------------------|-----------------------|
| Catalog Number: | CL3712T | Inverter Code: | Not Inverter |
| Enclosure: | TEFC | KVA Code: | F |
| Frame: | 215TC | Lifting Lugs: | Standard Lifting Lugs |
| Frame Material: | Steel | Locked Bearing Indicator: | Locked Bearing |
| Output @ Frequency: | 10.000 HP @ 60 HZ | Motor Lead Quantity/Wire Size: | 2 @ 10 AWG, A PH |
| Synchronous Speed @ Frequency: | 1800 RPM @ 60 HZ | Motor Lead Exit: | Cap Box |
| Voltage @ Frequency: | 230.0 V @ 60 HZ | Motor Lead Termination: | Flying Leads |
| XP Class and Group: | None | Motor Type: | 3748LC |
| XP Division: | Not Applicable | Mounting Arrangement: | F1 |
| Agency Approvals: | UR | Power Factor: | 98 |
| | CSA | Product Family: | General Purpose |
| Auxillary Box: | No Auxillary Box | Pulley End Bearing Type: | Ball |
| Auxillary Box Lead Termination: | None | Pulley Face Code: | C-Face |
| Base Indicator: | Rigid | Pulley Shaft Indicator: | Standard |
| Bearing Grease Type: | Polyrex EM (-20F +300F) | Rodent Screen: | None |
| Blower: | None | Shaft Extension Location: | Pulley End |
| Current @ Voltage: | 38.000 A @ 230.0 V | Shaft Ground Indicator: | No Shaft Grounding |
| Design Code: | L | Shaft Rotation: | Reversible |

| | | | |
|---------------------------------------|---------------------------|------------------------------------|---------------------|
| Drip Cover: | No Drip Cover | Shaft Slinger Indicator: | No Slinger |
| Duty Rating: | CONT | Speed Code: | Single Speed |
| Electrically Isolated Bearing: | Not Electrically Isolated | Motor Standards: | NEMA |
| Feedback Device: | NO FEEDBACK | Starting Method: | Direct on line |
| Front Face Code: | Standard | Thermal Device - Bearing: | None |
| Front Shaft Indicator: | None | Thermal Device - Winding: | None |
| Heater Indicator: | No Heater | Vibration Sensor Indicator: | No Vibration Sensor |
| Insulation Class: | F | Winding Thermal 1: | None |
| | | Winding Thermal 2: | None |

| | | | | | | | | | | |
|--------------------------|--------------|--|-------------|----|------------|------|--|--------------|-----------------------|---|
| Nameplate NP1256L | | | | | | | | | | |
| CAT.NO. | CL3712T | | | | | | | | | |
| SPEC. | 37M317T875 | | | | | | | | | |
| HP | 10 | | | | | | | | | |
| VOLTS | 230 | | | | | | | | | |
| AMP | 38 | | | | | | | | | |
| RPM | 1740 | | | | | | | | | |
| FRAME | 215TC | | | | HZ | 60 | | | PH | 1 |
| SER.F. | 1.00 | | CODE | F | DES | L | | CLASS | F | |
| NEMA-NOM-EFF | 86.5 | | PF | 98 | | | | | | |
| RATING | 40C AMB-CONT | | | | | | | | | |
| CC | | | | | | | | | USABLE AT 208V | |
| DE | 6307 | | | | ODE | 6206 | | | | |
| ENCL | TEFC | | SN | | | | | | | |

| Parts List | | |
|---------------|--|----------|
| Part Number | Description | Quantity |
| SA190775 | SA 37M317T875 | 1.000 EA |
| RA178441 | RA 37M317T875 | 1.000 EA |
| OC3050F09SP | CAPACITOR 50 MFD 370 VAC | 2.000 EA |
| RE5029 | MARS 91423 DOUBLE POLE 230-240V CONTACTO | 1.000 EA |
| EC1216C06SP | ELEC CAP, 216-259 MFD, 250V, 2.06D X 4. | 4.000 EA |
| 37FN3002A01SP | EXFN, PLASTIC, 9.00 OD, 1.155 ID | 1.000 EA |
| HW3200A01 | 3/8-16X3/4 I-BLT WELDED F/S | 1.000 EA |
| 37EP3101A01 | FR ENDPLATE, FOR ROUTING PURPOSES | 1.000 EA |
| HW4500A01 | 1641B(ALEMITE)400 UNIV, GREASE FITT | 1.000 EA |
| 13XF0832A08 | 8-32 X.50 PAN HD,SLTD, TYPE F SCREW, ZIN | 2.000 EA |
| 37CB3804A42 | CAPAC. BOX 37 MOTORS FOR 6-7 CAPAC. W/RE | 1.000 EA |
| 37CB2804 | ADAPTER, 37 KO BOX (SHOE BOX) | 2.000 EA |
| 37GS1017 | GASKET - CONDUCT BOX .06 THK NEOPRENE | 4.000 EA |
| 19XW2520A16 | SCREW,1/4-20X1 TAPTITE-II OR ROLOC 91 | 4.000 EA |
| HA6003A47 | CAPAC CLAMP | 1.000 EA |
| HA6003A45 | CAPAC CLAMP - CLIP (WHITE ZINC PLATED) | 2.000 EA |
| 51XB1016A07 | 10-16 X 7/16 HXWSSLD SERTYB | 4.000 EA |
| 11XW1032G06 | 10-32 X .38, TAPTITE II, HEX WSHR SLTD U | 1.000 EA |
| HW3001B01 | BRASS CUP WASHER, FOR #10 SCREW | 1.000 EA |
| 51XF2520A08 | SCREW, HEX SER SLT HD, ZN 1/4-20 X .50 L | 2.000 EA |
| HW5100A06 | W2420-025 WVY WSHR (WB) | 1.000 EA |
| 37PE3300A01 | PUEP ASSEMBLY FOR ROUTING | 1.000 EA |
| HW4500A01 | 1641B(ALEMITE)400 UNIV, GREASE FITT | 1.000 EA |
| 10XN2520A30 | HEX HD CAP SCREW-STD THD-.25 X 20 THD PE | 4.000 EA |

| Parts List (continued) | | |
|-------------------------------|--|-----------------|
| Part Number | Description | Quantity |
| HW1001A25 | LOCKWASHER 1/4, ZINC PLT .493 OD, .255 I | 4.000 EA |
| XY3118A12 | 5/16-18 HEX NUT DIRECTIONAL SERRATION | 4.000 EA |
| 51XB1214A20 | 12-14X1.25 HXWSSLD SERTYB | 1.000 EA |
| 07FH4007A06 | IEC FH W/GRS, NOT @6, 3 F/C HOL & NOT FO | 1.000 EA |
| 51XW1032A06 | 10-32 X .38, TAPTITE II, HEX WSHR SLTD S | 3.000 EA |
| 37CB4509 | CAPAC BOX LID, STAMPED | 1.000 EA |
| 37GS3016 | GASKET, CAPAC BOX LID | 1.000 EA |
| 51XW0832A07 | 8-32 X .44, TAPTITE II, HEX WSHR SLTD SE | 6.000 EA |
| HW2501F21 | KEY, 5/16 SQ X 2.375 | 1.000 EA |
| HA7000A02 | KEY RETAINER RING, 1 1/8 DIA, 1 3/8 DIA | 1.000 EA |
| LB1115N | LABEL,LIFTING DEVICE (ON ROLLS) | 1.000 EA |
| 85XU0407S04 | 4X1/4 U DRIVE PIN STAINLESS | 2.000 EA |
| MJ1000A02 | GREASE, POLYREX EM EXXON (USe 4824-15A) | 0.050 LB |
| MG1000G27 | MED CHARCOAL METALLIC GREY 400-0096 | 0.028 GA |
| SP5172A06 | 37 TYPE L TORQ STAT SWITCH LEAD ASSEMBLY | 1.000 EA |
| WD1000A15 | 3-520132-2 AMP FLAG (4M/RL NON-CANC/NON- | 12.000 EA |
| HA3104A25 | THRUBOLT .31-18 X 14.75 | 4.000 EA |
| NS2539 | INSULATOR FOR 37 FRAMESWITCH (MH1011A10) | 1.000 EA |
| LB1119N | WARNING LABEL | 1.000 EA |
| LC0017 | CONN LABEL-1 PHASE-SINGLE VOLT-REV ROTNO | 1.000 EA |
| NP1256L | ALUM UL CSA CC INDUSTRIAL MOTOR A60 | 1.000 EA |
| 37PA1039 | PALLET PACK GRP, PRINT PK1026A06 | 1.000 EA |
| MN416A01 | TAG-INSTAL-MAINT no wire (1200/bx) 5/18 | 1.000 EA |

AC Induction Motor Performance Data

Record # 37141 - Typical performance - not guaranteed values

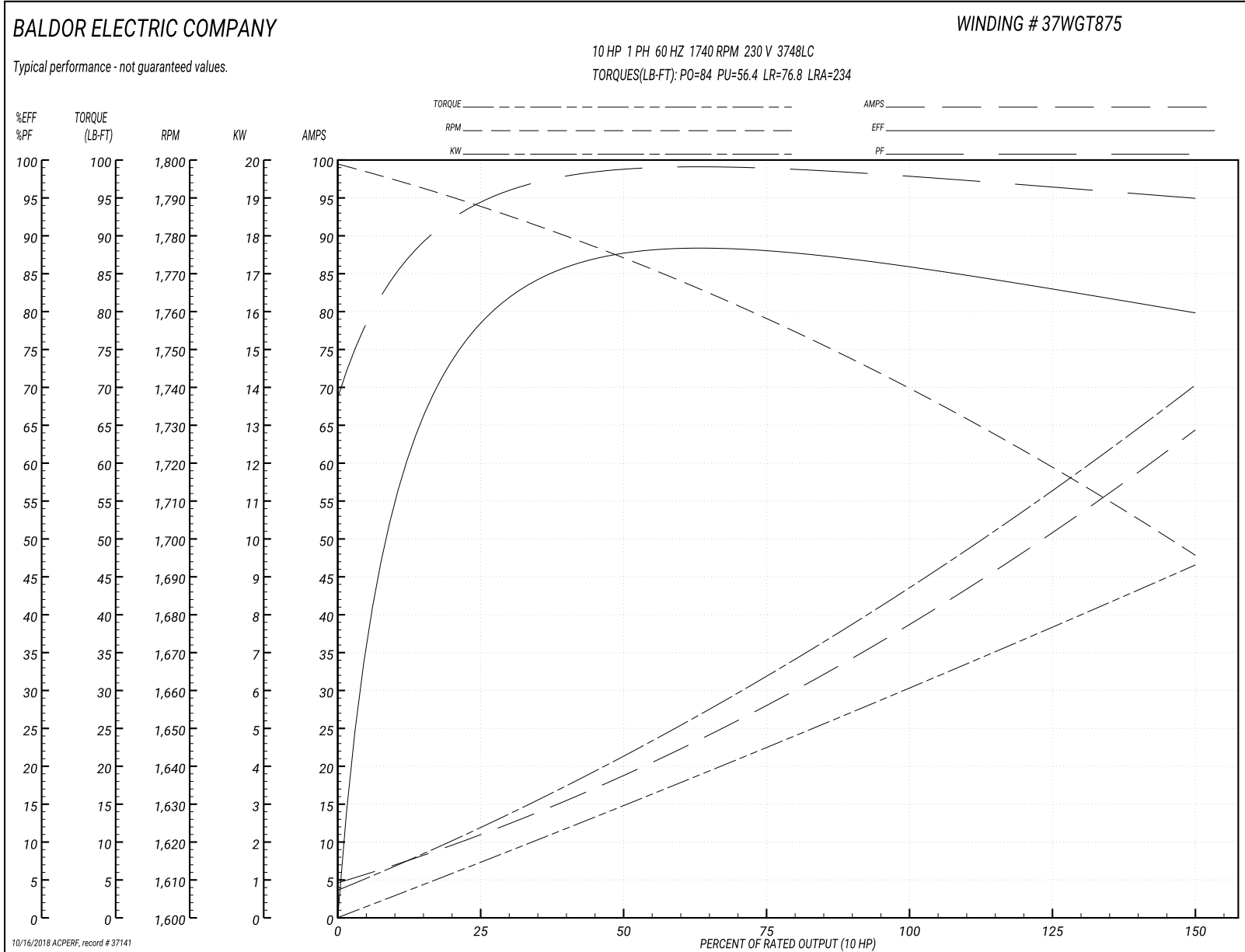
| | | |
|-------------------------------|---------------------|------------------------|
| Winding: 37WGT875-R001 | Type: 3748LC | Enclosure: TEFC |
|-------------------------------|---------------------|------------------------|

| Nameplate Data | | | | 230 V, 60 Hz: Single Voltage Motor | |
|-----------------------|--------------|--------------|----|---------------------------------------|-----------------------------|
| Rated Output (HP) | 10 | | | Full Load Torque | 29.8 LB-FT |
| Volts | 230 | | | Start Configuration | direct on line |
| Full Load Amps | 38 | | | Breakdown Torque | 84 LB-FT |
| R.P.M. | 1740 | | | Pull-up Torque | 56.4 LB-FT |
| Hz | 60 | Phase | 1 | Locked-rotor Torque | 76.8 LB-FT |
| NEMA Design Code | L | KVA Code | F | Starting Current | 234 A |
| Service Factor (S.F.) | 1 | | | No-load Current | 4.37 A |
| NEMA Nom. Eff. | 86.5 | Power Factor | 98 | Line-line Res. @ 25°C | 0.17 Ω A Ph 0.488 Ω B Ph |
| Rating - Duty | 40C AMB-CONT | | | Temp. Rise @ Rated Load | 96°C |

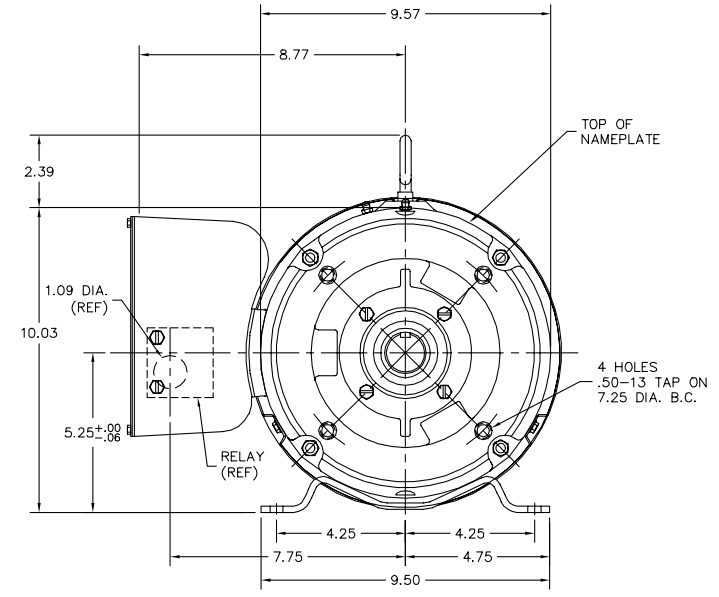
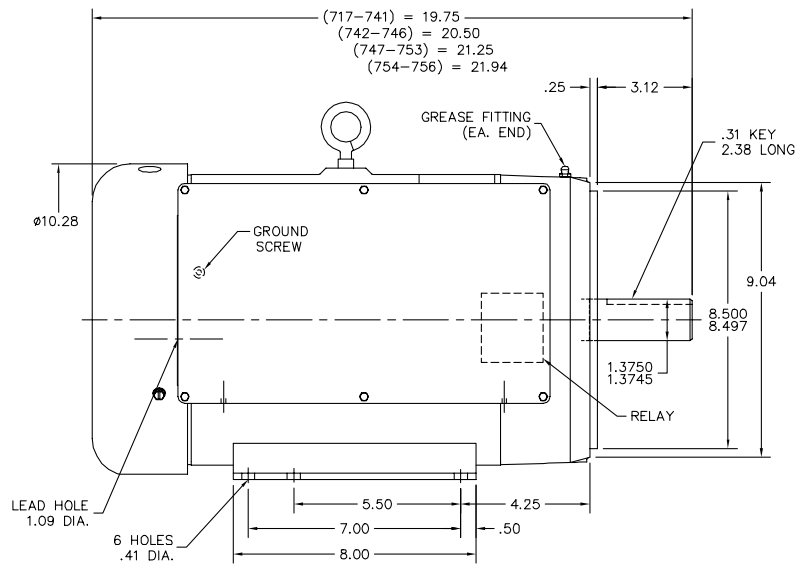
Load Characteristics 230 V, 60 Hz, 10 HP

| % of Rated Load | 25 | 50 | 75 | 100 | 125 | 150 |
|-----------------|------|------|------|------|------|------|
| Power Factor | 96 | 98 | 98 | 98 | 97 | 95 |
| Efficiency | 75.4 | 86.2 | 87.7 | 86.8 | 84.1 | 79.4 |
| Speed | 1788 | 1775 | 1759 | 1741 | 1720 | 1696 |
| Line amperes | 10.7 | 18.9 | 28 | 37.7 | 49.1 | 64.9 |

Performance Graph at 230V, 60Hz, 10.0HP Typical performance - Not guaranteed values



37LYM317



37LYM317

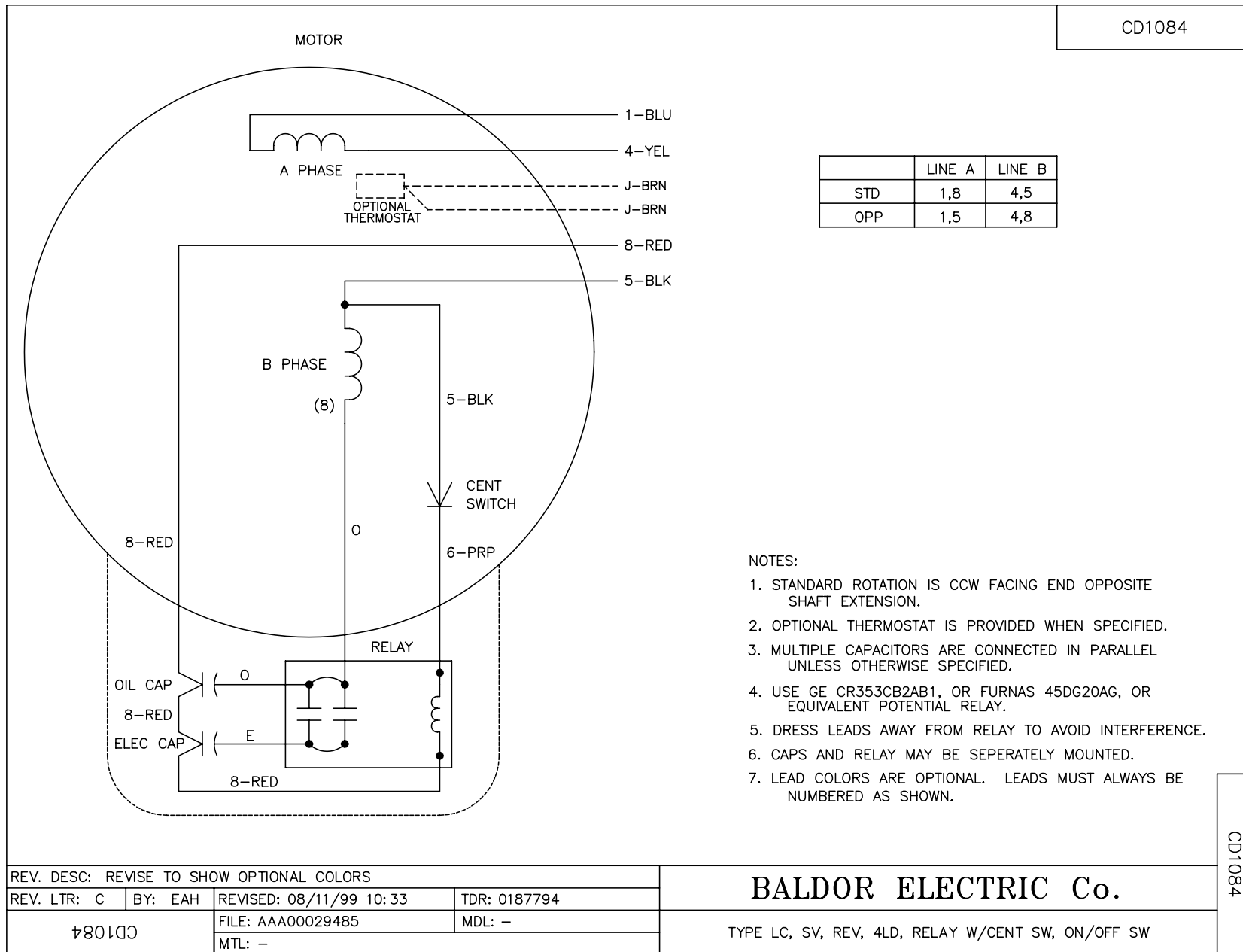
CUSTOMER IS RESPONSIBLE FOR DETERMINING THAT BALDOR'S PRODUCT WILL PERFORM SUITABLY IN THE INTENDED APPLICATION.

| | | | | | |
|--|------------------------------|-------------|-------------------|--|--|
| REV. DESC: ADD 37CB2804 ADAPTER BEHIND CAP BOX | | | TDR: 000001020390 | | |
| REV. LTR: A | VERSION: 01 | | | | |
| FILE: \AAA\00169\339 | REVISED: 10:11:38 03/16/2017 | BY: ENALEMO | | | |
| MTL: - | | | | | |

BALDOR

HOR 213-5TC TEFC 37LC W/37CB3804,RELAY,FINNED ENDRINGS,TORQ
SH 1 of 1

CD1084



NOTES:

1. STANDARD ROTATION IS CCW FACING END OPPOSITE SHAFT EXTENSION.
2. OPTIONAL THERMOSTAT IS PROVIDED WHEN SPECIFIED.
3. MULTIPLE CAPACITORS ARE CONNECTED IN PARALLEL UNLESS OTHERWISE SPECIFIED.
4. USE GE CR353CB2AB1, OR FURNAS 45DG20AG, OR EQUIVALENT POTENTIAL RELAY.
5. DRESS LEADS AWAY FROM RELAY TO AVOID INTERFERENCE.
6. CAPS AND RELAY MAY BE SEPERATELY MOUNTED.
7. LEAD COLORS ARE OPTIONAL. LEADS MUST ALWAYS BE NUMBERED AS SHOWN.

CD1084

| | | | |
|---|---------|-------------------------|--------------|
| REV. DESC: REVISE TO SHOW OPTIONAL COLORS | | | |
| REV. LTR: C | BY: EAH | REVISED: 08/11/99 10:33 | TDR: 0187794 |
| †801DC | | FILE: AAA00029485 | MDL: - |
| | | MTL: - | |

BALDOR ELECTRIC Co.

TYPE LC, SV, REV, 4LD, RELAY W/CENT SW, ON/OFF SW