

# PRODUCT INFORMATION PACKET



Model No: CM32D25VZ1A

Catalog No: M1125269.00

PE350.PARALLEL..58:1.42RPM.280LBIN.1/4HP.32..TRIPLE.WASHGUARD.90V.DC.TENV.CM32D25VZ1A  
PE350 Series



Regal and Leeson are trademarks of Regal Beloit Corporation or one of its affiliated companies.

©2018 Regal Beloit Corporation, All Rights Reserved. MC017097E





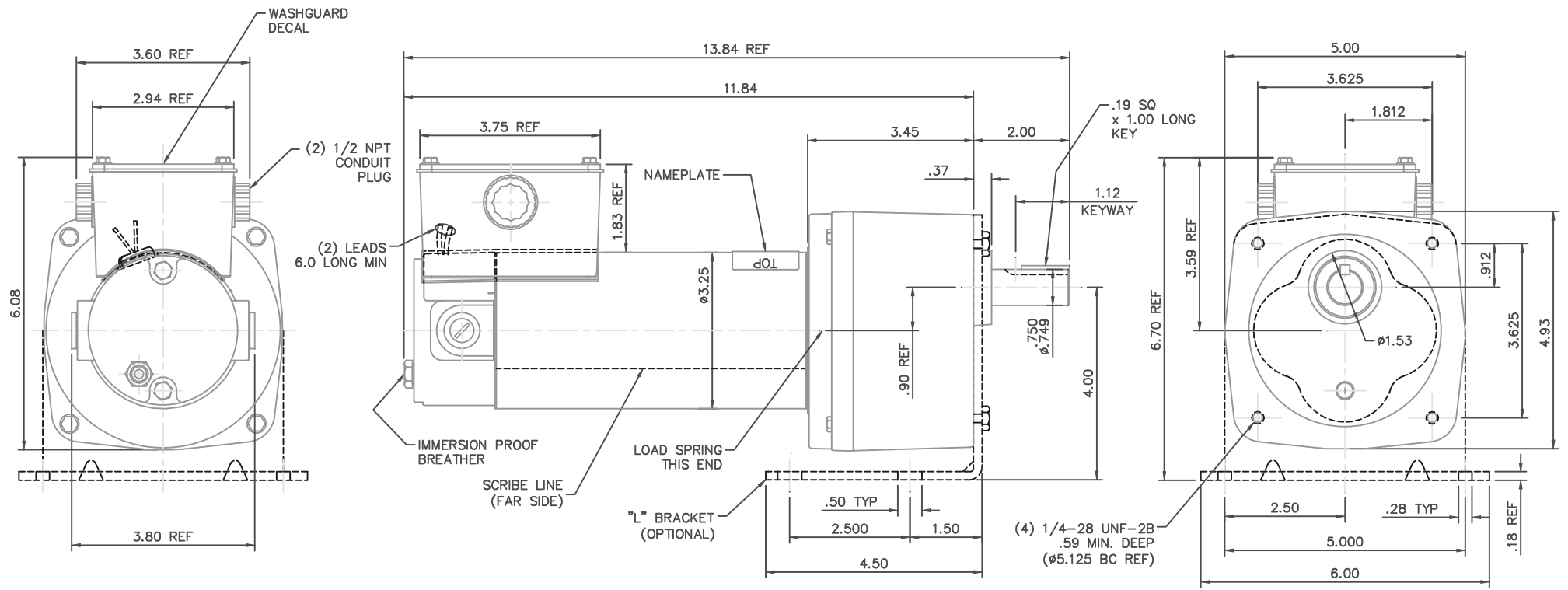
### Nameplate Specifications

Output HP	<b>0.25 Hp</b>	Output KW	<b>0.19 kW</b>
Voltage	<b>90 V</b>	Current	<b>2.6 A</b>
Speed	<b>42 rpm</b>	Service Factor	<b>1</b>
Efficiency	<b>65.3 %</b>	Duty	<b>Continuous</b>
Insulation Class	<b>F</b>	Frame	<b>32</b>
Enclosure	<b>Totally Enclosed Non Ventilated</b>	Overload Protector	<b>No</b>
Ambient Temperature	<b>40 °C</b>	Drive End Bearing Size	<b>6201</b>
Opp Drive End Bearing Size	<b>6201</b>	UL	<b>Recognized</b>
CSA	<b>Y</b>	CE	<b>Y</b>

### Technical Specifications

Rotation	<b>Reversible</b>	Mounting	<b>Special</b>
Shaft Type	<b>Parallel</b>	Overall Length	<b>13.84 in</b>
Frame Length	<b>6.44 in</b>	Shaft Diameter	<b>0.750 in</b>
Shaft Extension	<b>1.63 in</b>		
Outline Drawing	<b>M1030991-M1125269</b>	Connection Diagram	<b>M100530801</b>

This is an uncontrolled document once printed or downloaded and is subject to change without notice. Date Created: 10/15/2018

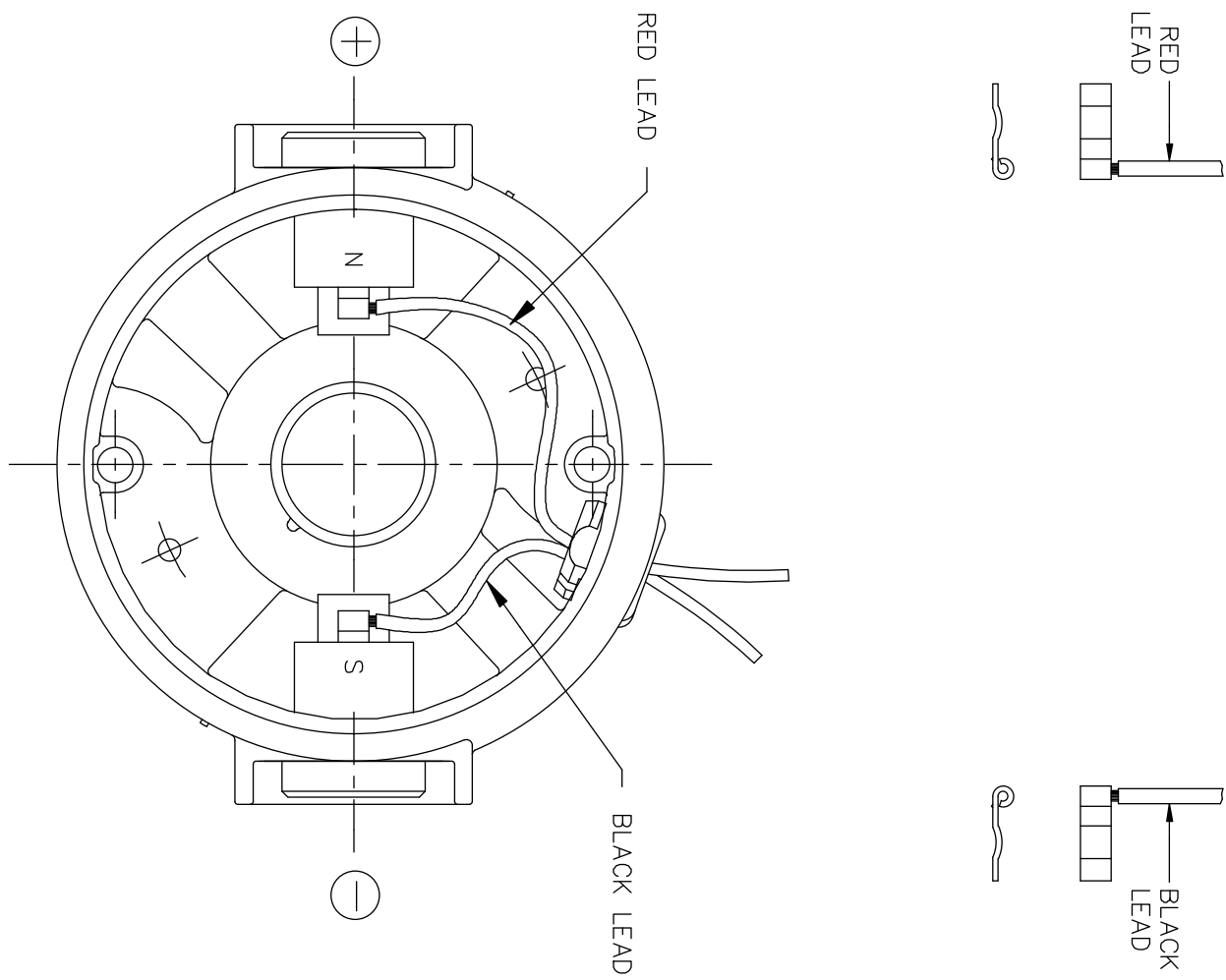


NOTES:  
 1) GASKETS BETWEEN FRAME AND ENDBELL/GEARBOX, CONDUIT BOX AND FRAME, AND CONDUIT BOX COVER AND CONDUIT BOX.


CATALOG NUMBER	OUTPUT RPM	FULL LOAD TORQUE LB.-IN.	INPUT HP	OVERHUNG LOAD LBS.	RATIO TO 1
M1125269.00	42	280	1/4	327	58
M1125270.00	83	155	1/4	267	29
M1125271.00	250	45	1/4	201	10
M1125272.00	500	25	1/4	194	5

				TOLERANCES UNLESS SPECIFIED		LEESON	ELECTRIC MOTORS GEARMOTORS AND DRIVES	DRAWN IPG 5/14/05				
				DEC.	INCHES			CHK	SAD	5/14/05		
				.X	±.1			APPD				
				.XX	±.03	TITLE	OUTLINE - 32 FRAME DC	SCALE	1=2			
01	1/2 NPT CONDUIT PLUG QTY. WAS 3. ISAAC 08-3457	RPB	7/30/08	BC	.XXX	±.005	90V - PE350 GEARMOTOR	REF	PR040127-RD1			
00	RELEASED: REF. PR040127-RD1	IPG	5/14/05	SAD	.XXXX	±.0005	MAT'L	FMF	M1125269.00			
NO.	REVISION	BY & DATE		CHK	ANG	±1/2"	FINISH	PREV				
THIS DRAWING IN DESIGN AND DETAIL IS OUR PROPERTY AND MUST NOT BE USED EXCEPT IN CONNECTION WITH OUR WORK ALL RIGHTS OF DESIGN AND INVENTION ARE RESERVED THIS IS AN ELECTRONICALLY GENERATED DOCUMENT - DO NOT SCALE THIS PRINT							RFP	CAD FILE	M1030991	SIZE	DRAWING NO.	REV.
							DIST	B	M1030991.00	01		

D.C. MOTORS



EXTERNAL CONNECTIONS FOR CW ROTATION  
 VIEWING LEAD END OF MOTOR WITH RED LEAD  
 POSITIVE (+) AND BLACK LEAD NEGATIVE (-)  
 FOR CCW ROTATION REVERSE POLARITY

		TOLERANCES UNLESS SPECIFIED		 ELECTRIC MOTORS GEARMOTORS AND DRIVES	DRAWN	IPG 4/8/05				
		DEC.	INCHES		CHK	SAD 4/8/05				
		.X	±.1		APPD					
		.XX	±.01		SCALE	1=1				
		.XXX	±.005		REF	PR040117-RD1				
00	RELEASED: REF. PR040117-RD1	IPG	4/8/05	SAD	.XXXX	±.0005	MAT'L.		FMF	M1120085.00
NO.	REVISION	BY & DATE	CHK	ANG	±1/2'	FINISH			PREV	
THIS DRAWING IN DESIGN AND DETAIL IS OUR PROPERTY AND MUST NOT BE USED EXCEPT IN CONNECTION WITH OUR WORK ALL RIGHTS OF DESIGN AND INVENTION ARE RESERVED THIS IS AN ELECTRONICALLY GENERATED DOCUMENT - DO NOT SCALE THIS PRINT				RFP	CAD FILE	M100530801	SIZE	DRAWING NO.	REV.	
				DIST			A	M1005308.01	00	