

PRODUCT INFORMATION PACKET



Model No: CM32D25VZ3A

Catalog No: M1125271.00

PE350.PARALLEL..10:1.250RPM.45LBIN.1/4HP.32..DOUBLE.WASHGUARD.90V.DC.TENV.CM32D25VZ3A
PE350 Series



Regal and Leeson are trademarks of Regal Beloit Corporation or one of its affiliated companies.

©2018 Regal Beloit Corporation, All Rights Reserved. MC017097E





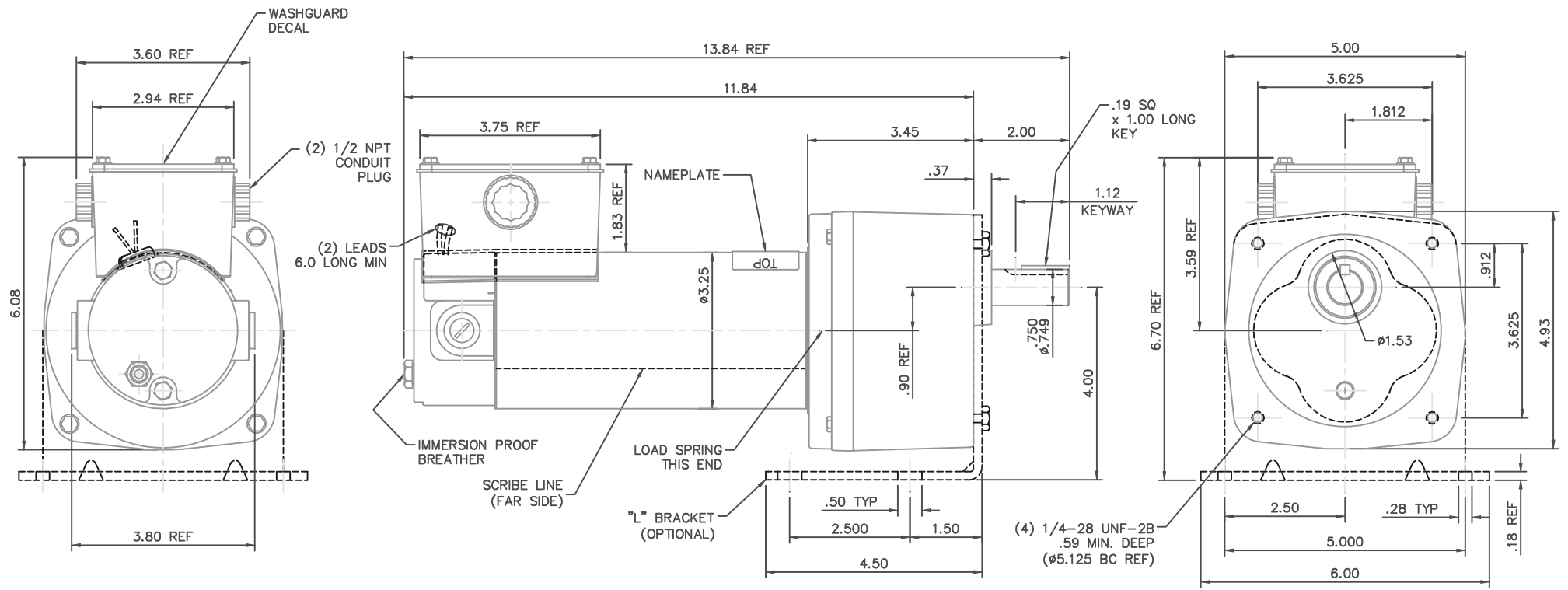
Nameplate Specifications

Output HP	0.25 Hp	Output KW	0.19 kW
Voltage	90 V	Current	2.3 A
Speed	250 rpm	Service Factor	1
Efficiency	67.2 %	Duty	Continuous
Insulation Class	F	Frame	32
Enclosure	Totally Enclosed Non Ventilated	Overload Protector	No
Ambient Temperature	40 °C	Drive End Bearing Size	6201
Opp Drive End Bearing Size	6201	UL	Recognized
CSA	Y	CE	Y

Technical Specifications

Rotation	Reversible	Mounting	Special
Shaft Type	Parallel	Overall Length	13.84 in
Frame Length	6.44 in	Shaft Diameter	0.750 in
Shaft Extension	1.63 in		
Outline Drawing	M1030991-M1125271	Connection Diagram	M100530801

This is an uncontrolled document once printed or downloaded and is subject to change without notice. Date Created: 10/15/2018

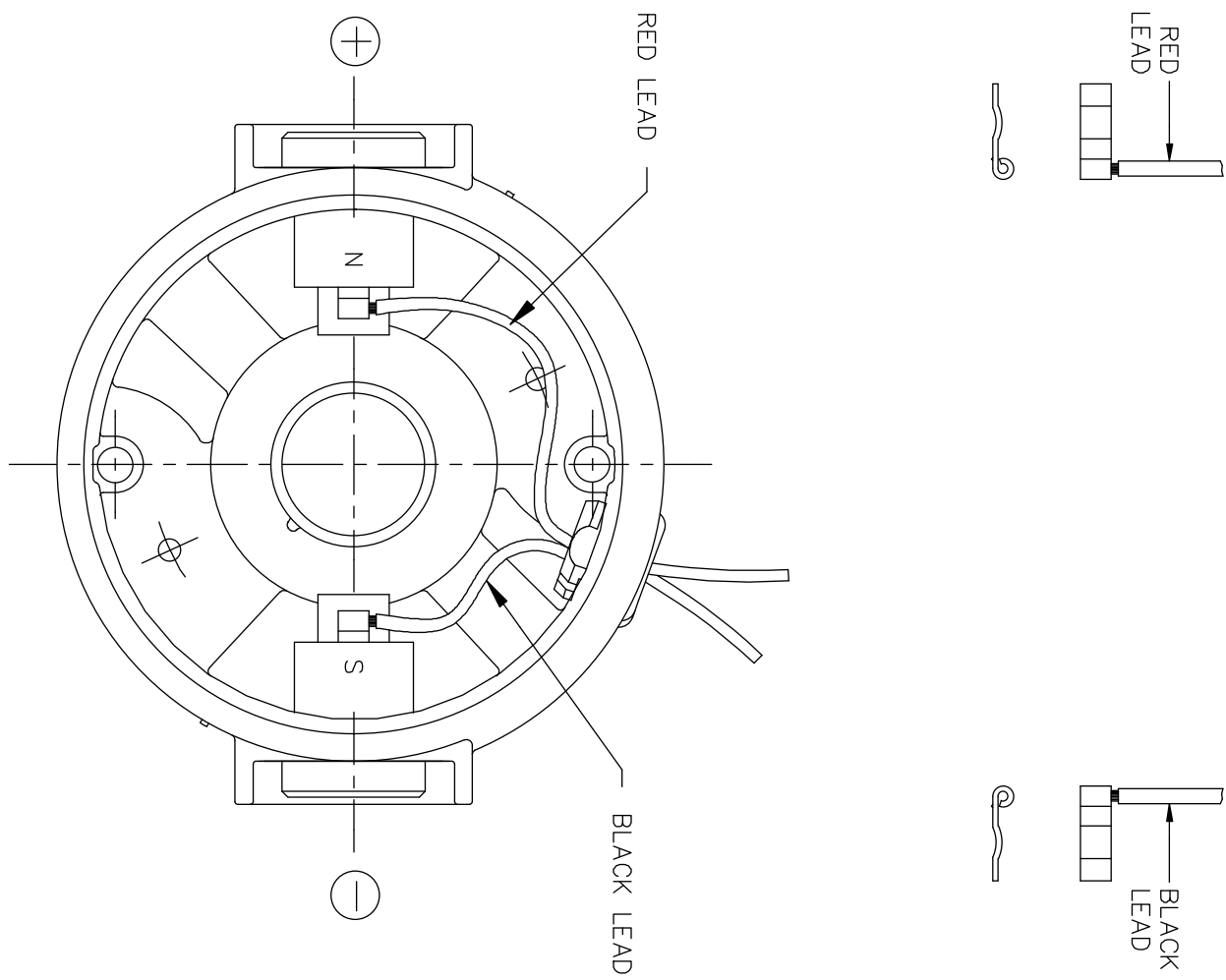


NOTES:
 1) GASKETS BETWEEN FRAME AND ENDBELL/GEARBOX, CONDUIT BOX AND FRAME, AND CONDUIT BOX COVER AND CONDUIT BOX.


CATALOG NUMBER	OUTPUT RPM	FULL LOAD TORQUE LB.-IN.	INPUT HP	OVERHUNG LOAD LBS.	RATIO TO 1
M1125269.00	42	280	1/4	327	58
M1125270.00	83	155	1/4	267	29
M1125271.00	250	45	1/4	201	10
M1125272.00	500	25	1/4	194	5

				TOLERANCES UNLESS SPECIFIED		LEESON ELECTRIC MOTORS GEARMOTORS AND DRIVES		DRAWN IPG 5/14/05				
				DEC.	INCHES			CHK	SAD 5/14/05			
				.X	±.1			APPD				
				.XX	±.03	TITLE		SCALE	1=2			
01	1/2 NPT CONDUIT PLUG QTY. WAS 3. ISAAC 08-3457	RPB	7/30/08	BC	.XXX	±.005	OUTLINE - 32 FRAME DC 90V - PE350 GEARMOTOR		REF	PR040127-RD1		
00	RELEASED: REF. PR040127-RD1	IPG	5/14/05	SAD	.XXXX	±.0005	MAT'L		FMF	M1125269.00		
NO.		REVISION		BY & DATE		FINISH		PREV				
THIS DRAWING IN DESIGN AND DETAIL IS OUR PROPERTY AND MUST NOT BE USED EXCEPT IN CONNECTION WITH OUR WORK ALL RIGHTS OF DESIGN AND INVENTION ARE RESERVED THIS IS AN ELECTRONICALLY GENERATED DOCUMENT - DO NOT SCALE THIS PRINT				RFP	ANG	±1/2"	CAD FILE		M1030991	SIZE	DRAWING NO.	REV.
				DIST			B		M1030991.00	01		

D.C. MOTORS



EXTERNAL CONNECTIONS FOR CW ROTATION
 VIEWING LEAD END OF MOTOR WITH RED LEAD
 POSITIVE (+) AND BLACK LEAD NEGATIVE (-)
 FOR CCW ROTATION REVERSE POLARITY

		TOLERANCES UNLESS SPECIFIED		 ELECTRIC MOTORS GEARMOTORS AND DRIVES		DRAWN IPG 4/8/05				
		DEC.	INCHES			CHK	SAD 4/8/05			
		.X	±.1			APPD				
		.XX	±.01			SCALE 1=1				
		.XXX	±.005			REF PR040117-RD1				
00	RELEASED: REF. PR040117-RD1	IPG	4/8/05	SAD	.XXXX ±.0005	MAT'L.				
NO.	REVISION	BY & DATE	CHK	ANG	±1/2'	FINISH				
THIS DRAWING IN DESIGN AND DETAIL IS OUR PROPERTY AND MUST NOT BE USED EXCEPT IN CONNECTION WITH OUR WORK ALL RIGHTS OF DESIGN AND INVENTION ARE RESERVED THIS IS AN ELECTRONICALLY GENERATED DOCUMENT - DO NOT SCALE THIS PRINT				RFP		CAD FILE	M100530801	SIZE	DRAWING NO.	REV.
				DIST				A	M1005308.01	00