

# PRODUCT INFORMATION PACKET



Model No: CM34D25NZ156A  
Catalog No: M1135245.00  
...43:1.62RPM.220LBIN.1/4HP.34....12V.DC.TENV  
PE350 Series



Regal and Leeson are trademarks of Regal Beloit Corporation or one of its affiliated companies.  
©2018 Regal Beloit Corporation, All Rights Reserved. MC017097E





### Nameplate Specifications

Output HP	<b>0.25 Hp</b>	Output KW	<b>0.19 kW</b>
Voltage	<b>12 V</b>	Current	<b>21.0 A</b>
Speed	<b>62 rpm</b>	Service Factor	<b>1</b>
Efficiency	<b>62.3 %</b>	Duty	<b>Continuous</b>
Insulation Class	<b>F</b>	Frame	<b>34</b>
Enclosure	<b>Totally Enclosed Non Ventilated</b>	Overload Protector	<b>No</b>
Ambient Temperature	<b>40 °C</b>	Drive End Bearing Size	<b>6201</b>
Opp Drive End Bearing Size	<b>608</b>	UL	<b>Recognized</b>
CSA	<b>Y</b>	CE	<b>N</b>

### Technical Specifications

Rotation	<b>Reversible</b>	Mounting	<b>Special</b>
Shaft Type	<b>Parallel</b>	Overall Length	<b>13.31 in</b>
Frame Length	<b>6.06 in</b>	Shaft Diameter	<b>0.750 in</b>
Shaft Extension	<b>1.625 in</b>		
Outline Drawing	<b>M1030807-M1135245</b>	Connection Diagram	<b>M100514301</b>

This is an uncontrolled document once printed or downloaded and is subject to change without notice. Date Created: 10/15/2018

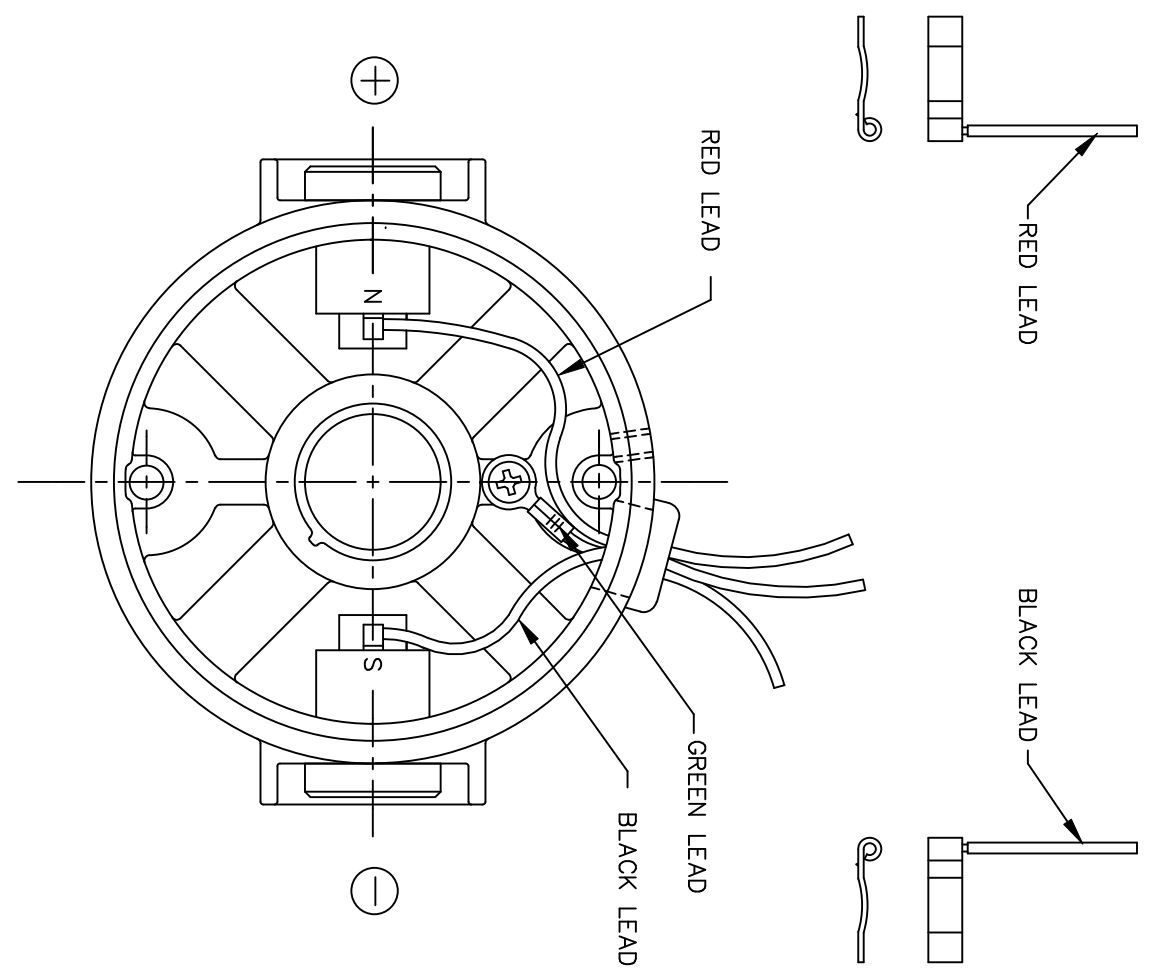


```
ERROR: syntaxerror  
OFFENDING COMMAND: --nostringval--
```

```
STACK:
```

```
-dictionary-  
/Pscript_WinNT_Compat  
-dictionary-
```

D.C. MOTORS



EXTERNAL CONNECTIONS FOR CW ROTATION  
 VIEWING LEAD END OF MOTOR WITH RED LEAD  
 POSITIVE AND BLACK LEAD NEGATIVE (-)  
 FOR CCW ROTATION REVERSE POLARITY

				TOLERANCES UNLESS OTHERWISE SPECIFIED		<b>LEESON</b> ELECTRIC CORPORATION				
				DECIMALS						
03	CORRECTED "N" AND "S", ECR 80000 (PER B.C.)	VS	08/15/02	.00	± .01	DRAWN DWF 3/26/93	TITLE CONNECTION DIAGRAM			
02	ROTATED DETAIL VIEWS OF LEADS	SAD	2/4/98	.000	± .005	CH'K'D.				
01	REVERSE ROTATION WAS CW	SPV	6/3/94	.0000	± .0005	APPR.	MAT'L.			
NO.	REVISION	BY	DATE	FRACTIONS	± 1/64	SCALE 1=1				
THIS DRAWING IN DESIGN AND DETAIL IS OUR PROPERTY AND MUST NOT BE USED EXCEPT IN CONNECTION WITH OUR WORK ALL RIGHTS OF DESIGN OR INVENTION ARE RESERVED				ANGLES		± 1/2'	REF. M1005124	FINISH LEESON	SIZE A	DRAWING NO.
				INCH/MM			FMF M1125046	STOCK		M1005143-01

```
ERROR: syntaxerror  
OFFENDING COMMAND: --nostringval--
```

```
STACK:
```

```
/p2e  
-savelevel-
```