

PRODUCT INFORMATION PACKET



Model No: CM34D25NZ53B

Catalog No: M1135108.00

...58:1.42RPM.280LBIN.1/4HP.34...DC GEARMOTORS SUB-FHP.90V..TENV.CM34D25NZ53B
PE350 Series



Regal and Leeson are trademarks of Regal Beloit Corporation or one of its affiliated companies.

©2018 Regal Beloit Corporation, All Rights Reserved. MC017097E





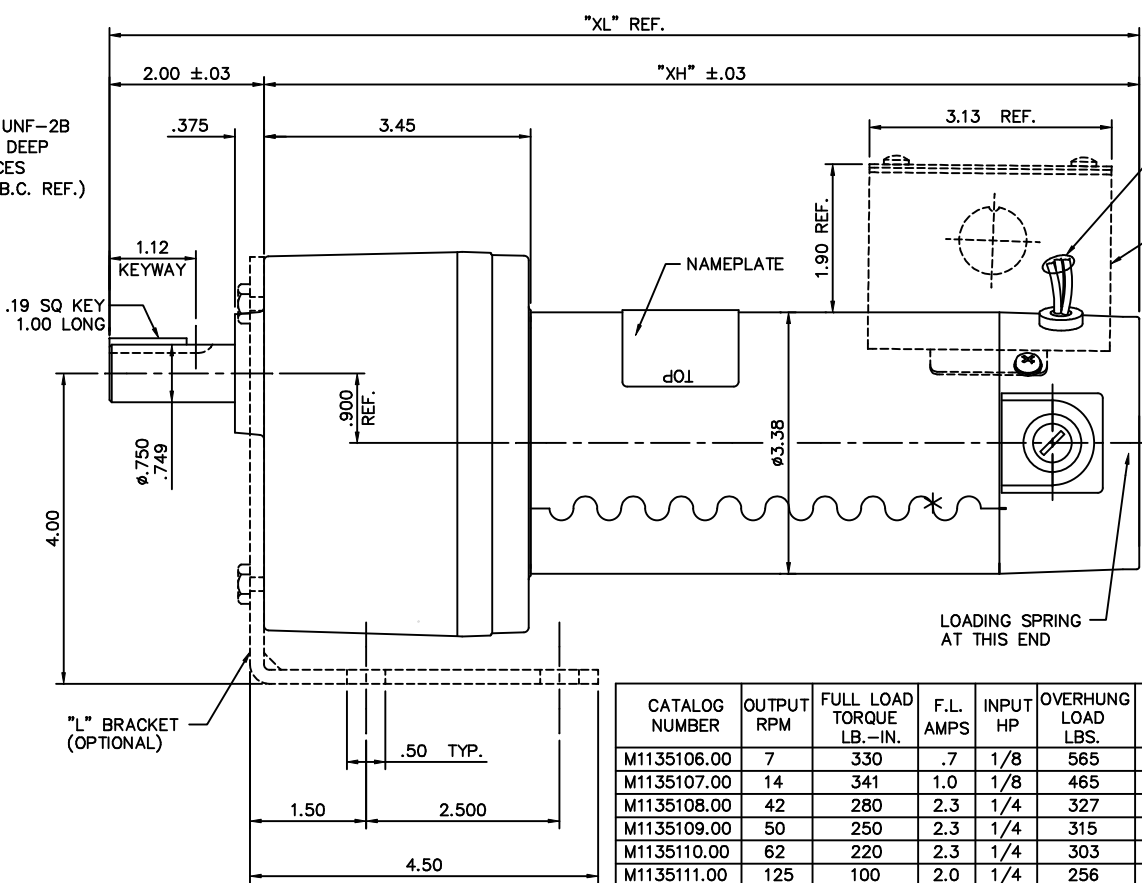
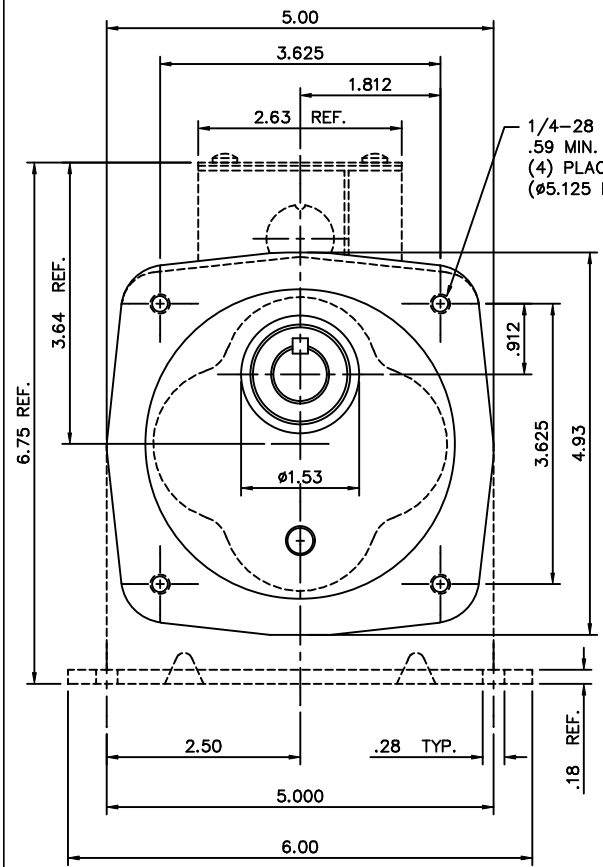
Nameplate Specifications

| | | | |
|----------------------------|--|------------------------|-------------------|
| Output HP | 0.25 Hp | Output KW | 0.19 kW |
| Voltage | 90 V | Current | 2.3 A |
| Speed | 42 rpm | Service Factor | 1 |
| Efficiency | 65 % | Duty | Continuous |
| Insulation Class | F | Frame | 34 |
| Enclosure | Totally Enclosed Non Ventilated | Overload Protector | No |
| Ambient Temperature | 40 °C | Drive End Bearing Size | 6201 |
| Opp Drive End Bearing Size | 608 | UL | Recognized |
| CSA | Y | CE | Y |

Technical Specifications

| | | | |
|-----------------|--------------------------|--------------------|-------------------|
| Rotation | Reversible | Mounting | Special |
| Shaft Type | Parallel | Overall Length | 13.31 in |
| Frame Length | 6.06 in | Shaft Diameter | 0.750 in |
| Shaft Extension | 1.625 in | | |
| Outline Drawing | M1030589-M1135108 | Connection Diagram | M100512401 |

This is an uncontrolled document once printed or downloaded and is subject to change without notice. Date Created: 10/15/2018

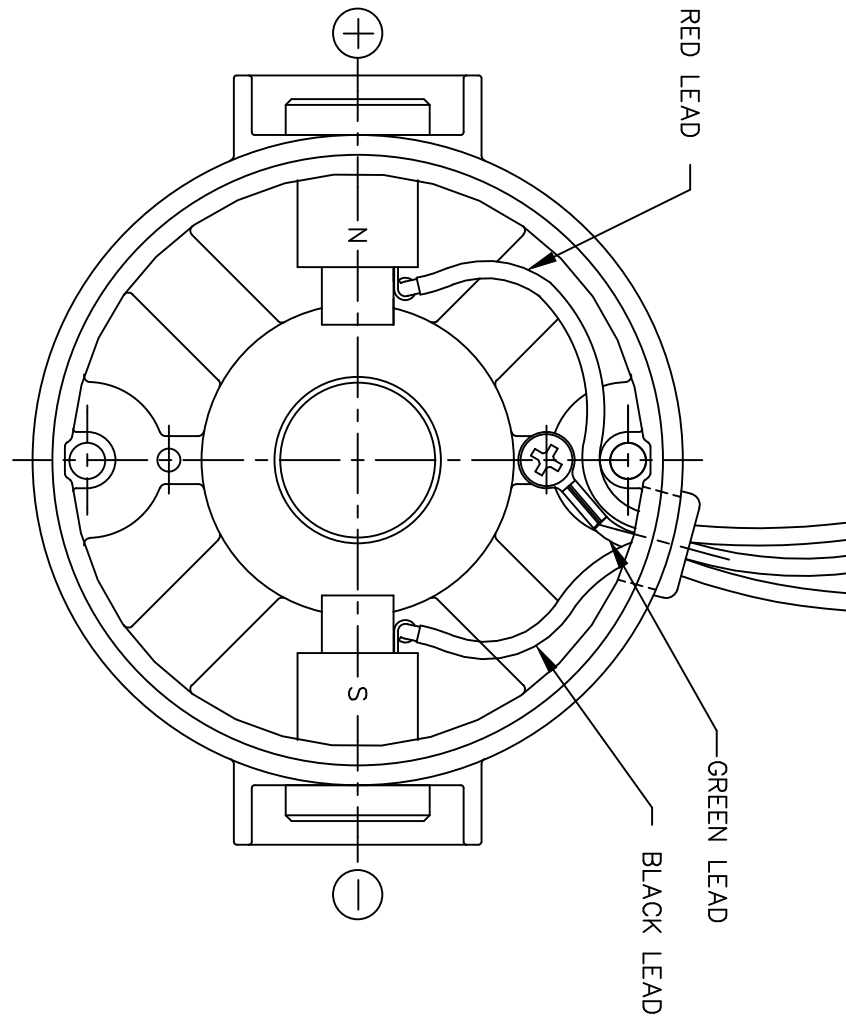


(3) LEADS
12.00 LONG MIN.
CONDUIT BOX
(OPTIONAL)

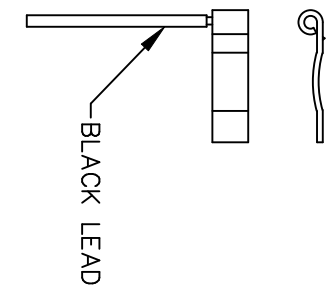
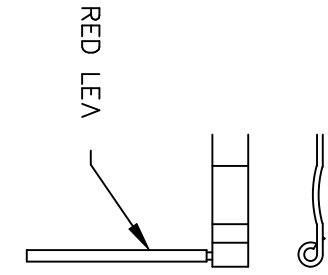
| CATALOG NUMBER | OUTPUT RPM | FULL LOAD TORQUE LB.-IN. | F.L. AMPS | INPUT HP | OVERHUNG LOAD LBS. | GEARMOTOR TYPE & FRAME | RATIO TO 1 | "XL" | "XH" |
|----------------|------------|--------------------------|-----------|----------|--------------------|------------------------|------------|-------|-------|
| M1135106.00 | 7 | 330 | .7 | 1/8 | 565 | P353-34 | 336 | 11.31 | 9.31 |
| M1135107.00 | 14 | 341 | 1.0 | 1/8 | 465 | P353-34 | 180 | 11.31 | 9.31 |
| M1135108.00 | 42 | 280 | 2.3 | 1/4 | 327 | P353-34 | 58 | 13.31 | 11.31 |
| M1135109.00 | 50 | 250 | 2.3 | 1/4 | 315 | P353-34 | 50 | 13.31 | 11.31 |
| M1135110.00 | 62 | 220 | 2.3 | 1/4 | 303 | P353-34 | 43 | 13.31 | 11.31 |
| M1135111.00 | 125 | 100 | 2.0 | 1/4 | 256 | P352-34 | 22.67 | 13.31 | 11.31 |
| M1135112.00 | 165 | 70 | 2.0 | 1/4 | 232 | P352-34 | 15 | 13.31 | 11.31 |
| M1135113.00 | 500 | 25 | 2.0 | 1/4 | 194 | P352-34 | 5.44 | 13.31 | 11.31 |
| M1135114.00 | 83 | 155 | 2.3 | 1/4 | 267 | P352-34 | 29 | 13.31 | 11.31 |
| M1135115.00 | 27 | 305 | 1.5 | 1/4 | 374 | P353-34 | 91 | 13.31 | 11.31 |
| M1135116.00 | 250 | 45 | 2.0 | 1/4 | 201 | P352-34 | 10.6 | 13.31 | 11.31 |
| M1135117.00 | 21 | 371 | 1.1 | 1/4 | 413 | P353-34 | 124 | 13.31 | 11.31 |

| | | | | | | |
|--|--|-----------------------------|------------------|-----------------------------|---|-------------------|
| | | TOLERANCES UNLESS SPECIFIED | | LEESON | ELECTRIC MOTORS GEARMOTORS AND DRIVES | DRAWN DWF 6/26/97 |
| | | DEC. | INCHES | | | CHK |
| | | .X | ±.1 | TITLE | | APPD |
| 03 | 1/4-28 UNF-2B TAPS WERE .63 DEEP PER ECR81849. | RPB 11/24/03 | BC .XX ±.03 | OUTLINE | | SCALE 5=8 |
| 02 | 1.12 KEYWAY WAS 1.03 | IPG 11/30/00 | SAD .XXX ±.005 | 34 FRAME PE350 STOCK - 90 V | | REF PR970354 |
| 01 | UPDATED TO CATALOG INFORMATION PER KK | CAS 10/31/00 | SAD .XXXX ±.0005 | MAT'L | | FMF M1135115.00 |
| NO. | REVISION | BY & DATE | CHK ANG ±1/2" | FINISH | | PREV |
| THIS DRAWING IN DESIGN AND DETAIL IS OUR PROPERTY AND MUST NOT BE USED EXCEPT IN CONNECTION WITH OUR WORK ALL RIGHTS OF DESIGN AND INVENTION ARE RESERVED THIS IS AN ELECTRONICALLY GENERATED DOCUMENT - DO NOT SCALE THIS PRINT | | | | RFP | CAD FILE M1030589 | SIZE DRAWING NO. |
| | | | | DIST | B | M1030589.00 03 |

D.C. MOTORS



EXTERNAL CONNECTIONS FOR CW ROTATION
 VIEWING LEAD END OF MOTOR WITH RED LEAD
 POSITIVE AND BLACK LEAD NEGATIVE (-)
 FOR CCW ROTATION REVERSE POLARITY



| | | | | | | | | | |
|--|---|-----------|---------|-------|--------------------------------|------------|---|-------------|----------------|
| 07 | CORRECTED "N" & "S", ECR 80000 (PER BC) | VS | 8/14/02 | BC | TOLERANCES UNLESS SPECIFIED | | LEESON ELECTRIC MOTORS GEARMOTORS AND DRIVES | DRAWN | SPV 12/10/91 |
| 06 | REMOVED GROUND HOLE | TMZ | 3/16/95 | DEC. | INCHES | | | CHK | DWF 5/20/92 |
| 05 | REVERSE ROTATION WAS CW | SPV | 6/3/94 | .X | ±.1 | | TITLE | APPD | |
| 04 | CHANGED ROTATION FROM CCW TO CW | MJS | 3/9/93 | .XX | ±.01 | | | SCALE | 1=1 |
| 03 | REVISED ROTATION NOTE | DWF | 1/6/93 | .XXX | ±.005 | | MAT'L. | REF | |
| 02 | ADDED GREEN LEAD | DWF | 8/1/92 | .XXXX | ±.0005 | | | FINISH | FMF M9131D2N22 |
| NO. | REVISION | BY & DATE | CHK | ANG | ±1/2" | | | PREV | |
| THIS DRAWING IN DESIGN AND DETAIL IS OUR PROPERTY AND MUST NOT BE USED EXCEPT IN CONNECTION WITH OUR WORK ALL RIGHTS OF DESIGN AND INVENTION ARE RESERVED THIS IS AN ELECTRONICALLY GENERATED DOCUMENT - DO NOT SCALE THIS PRINT | | | | RFP | CAD FILE | M100512401 | SIZE | DRAWING NO. | REV. |
| | | | | DIST | | | A | M1005124.01 | 07 |