

**⚠ WARNING** Effective December 2005 (date code M05) there are important changes to single-phase motors. They now have a built-in, on-winding overload. They also require different start and run capacitors in the control panel than old motors. Please read the information on panel wiring and capacitor changes that are required to operate a new pump on an old control panel.

# Grinder Pumps

1Ø and 3Ø, 1¼" Discharge

**INSTALLATION, OPERATION AND TROUBLESHOOTING MANUAL**



## Owner's Information

Pump Model Number: \_\_\_\_\_

Pump Serial Number: \_\_\_\_\_

Pump Options (see Nomenclature):

- Seal Fail (Moisture) Sensor \_\_\_\_\_
- Pilot Duty Thermal Sensor \_\_\_\_\_

Control Model Number: \_\_\_\_\_

Dealer: \_\_\_\_\_

Dealer Phone No. \_\_\_\_\_

Date of Purchase: \_\_\_\_\_ Installation: \_\_\_\_\_

Current Readings at Startup:

	<b>1Ø</b>	<b>3Ø</b>	L1-2	L2-3	L3-1
Amps: _____		Amps: _____	_____	_____	_____
Volts: _____		Volts: _____	_____	_____	_____

## Table of Contents

SUBJECT	PAGE
Safety Instructions.....	3
Pre-Installation Checks .....	3
Lifting of Pump .....	3
Optional Guide Rail or Lift-Out System .....	3
Piping .....	4
Wiring and Grounding .....	4
Selecting and Wiring Pump Control Panels and Switches..	4-5
Installation .....	5
Operation .....	5-6
Float Switch and Panel Chart.....	6
Three Phase Power Unbalance .....	7
Insulation Resistance Readings .....	7
Engineering Data .....	8
Typical Installations.....	9
Trouble Shooting.....	10
Limited Warranty .....	12

## SAFETY INSTRUCTIONS

**TO AVOID SERIOUS OR FATAL PERSONAL INJURY OR MAJOR PROPERTY DAMAGE, READ AND FOLLOW ALL SAFETY INSTRUCTIONS IN MANUAL AND ON PUMP.**

**THIS MANUAL IS INTENDED TO ASSIST IN THE INSTALLATION AND OPERATION OF THIS UNIT AND MUST BE KEPT WITH THE PUMP.**



This is a **SAFETY ALERT SYMBOL**. When you see this symbol on the pump or in the manual, look for one of the following signal words and be alert to the potential for personal injury or property damage.



**DANGER** Warns of hazards that **WILL** cause serious personal injury, death or major property damage.



**WARNING** Warns of hazards that **CAN** cause serious personal injury, death or major property damage.



**CAUTION** Warns of hazards that **CAN** cause personal injury or property damage.

**NOTICE: INDICATES SPECIAL INSTRUCTIONS WHICH ARE VERY IMPORTANT AND MUST BE FOLLOWED.**

**THOROUGHLY REVIEW ALL INSTRUCTIONS AND WARNINGS PRIOR TO PERFORMING ANY WORK ON THIS PUMP.**

**MAINTAIN ALL SAFETY DECALS.**

**WARNING** This product can expose you to chemicals including Lead, which is known to the State of California to cause cancer and birth defects or other reproductive harm. For more information go to: [www.P65Warnings.ca.gov](http://www.P65Warnings.ca.gov).

**WARNING** All electrical work must be performed by a qualified technician. Always follow the National Electrical Code (NEC), or the Canadian Electrical Code, as well as all local, state and provincial codes. Code questions should be directed to your local electrical inspector. Failure to follow electrical codes and OSHA safety standards may result in personal injury or equipment damage. Failure to follow manufacturer's installation instructions may result in electrical shock, fire hazard, personal injury or death, damaged equipment, provide unsatisfactory performance, and may void manufacturer's warranty.

**WARNING** Standard units are not designed for use in swimming pools, open bodies of water, hazardous liquids, or where flammable gases exist. These fluids and gases may be present in containment areas. Tank or wetwell must be vented per local codes.

Only pumps specifically Listed for Class 1, Division 1 are allowable in hazardous liquids and where flammable gases may exist. See *specific pump catalog bulletins or pump nameplate for all agency Listings*.

**WARNING** Disconnect and lockout electrical power before installing or servicing any electrical equipment. Many pumps are equipped with automatic thermal overload protection which may allow an overheated pump to restart unexpectedly.

**CAUTION** All three phase (3Ø) control panels for submersible pumps must provide Class 10, quick-trip, overload protection.

## PRE-INSTALLATION CHECKS

Open all cartons and inspect for shipping damage. Report any damage to your supplier or shipping carrier immediately.

**Important:** Always verify that the pump nameplate Amps, Voltage, Phase, and HP ratings match your control panel and power supply.

Many of our sewage pumps are oil-filled. If there are any signs of oil leakage or if the unit has been stored for an extended period check the oil level in the motor dome and the seal housing, if so equipped.

Check the motor cover oil level through the pipe plug on top of the unit. The motor chamber oil should just cover the motor. Do not overfill, leave room for expansion!

To check the seal housing oil level, where used, lay the unit on its side with the fill plug at 12 o'clock. Remove the plug. The oil should be within 1/2" (13mm) of the top. If low, refill with an ASTM 150 turbine oil. Replace the plug.

Oil is available in 5 gallon cans through our distributors. You can also source oil locally at motor repair shops. Typical oil brands are: Shell Turbo 32, Sunoco Sunvis 932, Texaco Regal R&O 32, Exxon Nuto 32 and Mobil DTE Light.

Check the strain relief nut on power cable strain assemblies. Power cables should be torqued to 75 in. lbs. for #16 cables and 80 in. lbs. for all other cable assemblies. Seal/heat sensor cables, where used, should be torqued to 75 in. lbs.

Warranty does not cover damage caused by connecting pumps and controls to an incorrect power source (voltage/phase supply).

Attach the extra label supplied with the pump to this manual and record the model numbers and serial numbers from the pumps and control panel on the front of this instruction manual for future reference. Give it to the owner or affix it to the control panel when finished with the installation.

## LIFTING OF PUMP



**DO NOT LIFT, CARRY OR HANG PUMP BY THE ELECTRICAL CABLES. DAMAGE TO THE ELECTRICAL CABLES CAN CAUSE SHOCK, BURNS OR DEATH.**

Lift the pump with an adequately sized chain or cable attached to the lifting eye bolt. **DO NOT** damage electrical and sensor cables while raising and lowering unit.

## OPTIONAL GUIDE RAIL/ BASE ELBOW SYSTEM

In many effluent and sewage basins or lift stations it is advisable to install the pump on a guide rail system to facilitate installation and removal for inspection and/or service. Most codes do not allow personnel to enter a wetwell without the correct protective equipment and training. Guide rails are designed to allow easy removal of the pump without the need for entry into the wetwell or need to disturb piping. The guide rail should locate the pump opposite the influent opening preventing stagnate areas where solids can settle. The basin or pit must be capable of supporting the weight of the pump and guide rail. The pit floor must be flat.

**NOTICE:** FOLLOW THE INSTRUCTIONS THAT ARE PROVIDED WITH THE GUIDE RAIL ASSEMBLY.

## PIPING

Discharge piping should be no smaller than the pump discharge diameter and kept as short as possible, avoiding unnecessary fittings to minimize friction losses.

Install a check valve to prevent fluid backflow. Backflow can allow the pump to “turbine” backwards and may cause premature seal and/or bearing wear. If the pump is turning backwards when it is called on to start the increased torque may cause damage to the pump motor and/or motor shaft and some single-phase pumps may actually run backwards.

Install an adequately sized gate valve after the check valve for pump, plumbing and check valve maintenance.







**Important - Before pump installation.** Drill a  $\frac{3}{16}$ " (4.8mm) relief hole in the discharge pipe. It should be located within the wetwell, 2" (51mm) above the pump discharge but below the check valve. The relief hole allows any air to escape from the casing. Allowing liquid into the casing will insure that the pump can start when the liquid level rises. Unless a relief hole is provided, a bottom intake pump could “air lock” and will not pump water even though the impeller turns.

All piping must be adequately supported, so as not to impart any piping strain or loads on the pump.

The pit access cover must be of sufficient size to allow for inspection, maintenance and crane or hoist service.

## WIRING AND GROUNDING


*Important notice: Read Safety Instructions before proceeding with any wiring.*

-  Use only stranded copper wire to pump/motor and ground. The ground wire must be at least as large as the power supply wires. Wires should be color coded for ease of maintenance and troubleshooting.
-  Install wire and ground according to the National Electrical Code (NEC), or the Canadian Electrical Code, as well as all local, state and provincial codes.
-  Install an all leg disconnect switch where required by code.
-  Disconnect and lockout electrical power before performing any service or installation.
-  The electrical supply voltage and phase must match all equipment requirements. Incorrect voltage or phase can cause fire, motor and control damage, and voids the warranty.
-  All splices must be waterproof. If using splice kits follow manufacturer's instructions.

**WARNING** Select the correct type and NEMA grade junction box for the application and location. The junction box must insure dry, safe wiring connections.

**WARNING** Seal all controls from gases present which may damage electrical components.

**WARNING** FAILURE TO PERMANENTLY GROUND THE PUMP, MOTOR AND CONTROLS BEFORE CONNECTING TO POWER CAN CAUSE SHOCK, BURNS OR DEATH.



Hazardous voltage can shock, burn or cause death.

**ON NON-PLUG UNITS, DO NOT REMOVE CORD AND STRAIN RELIEF. DO NOT CONNECT CONDUIT TO PUMP.**

## SELECTING AND WIRING PUMP CONTROL PANELS

Control panel wiring diagrams are shipped with the control panels. Please use the control panel drawings in conjunction with this instruction manual to complete the wiring.

### Important - Read Before Proceeding Single-Phase Motor Design Change Information - Only for New Pump Installed on Older Panel.

Overload and Capacitors: Single-phase pumps built after Dec. 1, 2005 (M05 date code) now feature a built-in, on winding overload. If replacing a pre-Dec 2005 pump (date code L05 or earlier) you have to change the capacitors in the old style control panel.

Pilot Duty Thermal Sensor/Overload Wire: Pre-Dec 2005 single-phase pumps had a pilot-duty thermal sensor wire connected between the pump and an overload heater block in the control panel, you will have to install a jumper wire across the two high temperature/overload terminals when installing a new pump on an old panel or the new pump may not operate.

Standard single-phase pumps no longer have a Pilot Duty Thermal Sensor Wire but it is available as an option. Another option is a Seal Fail Sensor & Wire. Please use the Nomenclature data found in this manual and the pump Order Number to determine which optional features are on the pump being installed.

## CONTROL PANEL REQUIREMENTS

**Single Phase Control Panels - Eff. Dec. 2005, M05 date code**, Series 1GD and 12GDS single phase grinder pumps require a control panel containing as a minimum:

- Magnetic contactor
- Start capacitor
- Run capacitor
- Start relay
- Terminal wiring strip for all external connections.

**See Recommended Panel Chart in Engineering Data Section**

### Capacitor and Starting Relay Information

Description	Order a CP1GDB for New Pump	Part Order No. - Old Pump
Start Cap	216-259 Mfd @ 330 vac	RB-61 (594 Mfd @ 125 vac)
Run Cap	50 Mfd @ 370 vac	RB-62 (30 Mfd @ 370 vac)
Start Relay	9K458 (RVA2ALKL)	9K458 or RB-60 (155031 102)

### Three Phase Control Panels

Series 1GD and 12GDS three phase grinder pumps require a control panel containing as a minimum:

- A 3 pole circuit breaker.
- Magnetic starter with ambient compensated Class 10 overloads.
- Transformer to supply 115 or 24 volt control power.
- Terminal wiring strip for all external connections.

### RECOMMENDED CONTROL PANEL AND PUMP OPTIONS

- A panel seal failure circuit with relay and warning device can only be used if pump is equipped with a seal failure sensor.
- High level alarm circuit
- Visual and/or audible high level alarm device.

Our Simplex and Duplex "Single Phase Grinder Panels" (see the price book) contain built-in capacitors, a start relay and wiring terminals.

In the event you wish to source a control panel locally we sell capacitor kits which a panel shop will be able to build into a custom panel. Note: the kits contain the capacitors and start relay. These are not a field installable, add-on item. Building the capacitor kits into a control panel is a job for a UL or CSA approved panel shop. Due to concern for liability, installer safety and Agency Listing, our Customer Service technicians are forbidden to assist anyone attempting to field modify a standard control panel using these capacitor kits. We hope you understand and respect our position in this matter. "Recommended Control Panels" are listed in the Product Bulletins found in the respective product catalog or on the website named on the front cover of this IOM.

#### Motor High Temperature Sensor:

The single phase 1GD or 12GDS pumps have an optional feature, a built-in motor high temperature sensor. This heat sensor opens and closes the circuit to the contactor coil when properly wired into a control panel. It opens at a motor temperature of 275°F (135°C) and stops the pump. As the motor temperature drops to 112°F (78°C) the motor automatically restarts.

#### Pump Seal Failure (Moisture Detection) Sensor:

An option on the 1GD and standard on the 12GDS. This sensor located in the seal chamber detects the presence of moisture in the seal chamber. When connected to an optional seal failure relay and warning device in the control panel it signals that service needs to be performed on the lower seal.

**The seal failure circuit option must be ordered as a control panel option, it is not supplied as a standard item.**

### FLOAT SWITCH TYPES

There are two basic float switch designs; single-action and wide-angle. Single-action switches operate over a range of 15° so they open and close quickly. Wide-angle floats operate over a 90° swing with the tether length between the float body and the pivot point controlling the On-Off range. The design determines how many floats are required with different systems or controls.

Floats may be normally open (NO) for pump down applications or to empty a tank. Normally closed (NC) switches are used to pump up or to fill a tank.

A control switch may be used only with a control panel, never direct connected to a pump.

### SETTING THE FLOAT SWITCHES

There are no absolute rules for where to set the float switches, it varies from job to job.

#### Suggested Rules to Follow:

**All floats should be set below the Inlet pipe!**

**Off Float: Best:** set so the water level is always above the top of the pump (motor dome). **Next Best:** set so the water level is not more than 6" below the top of the pump.

**On Float:** set so the volume of water between the On and Off floats allows two (2) HP and larger pumps to run a minimum of 2 minutes. Basin literature states the gallons of storage per inch of basin height.

**Lag/Alarm Float(s):** should be staggered above the Off and On floats. Try to use most of the available storage provided by the basin, save some space for reserve storage capacity. See *Diagrams and Charts in Float Switch Chart Section*.

### PANEL WIRING DIAGRAMS

Our control panels are shipped with instructions and wiring diagrams. Use those instructions in conjunction with this IOM. Electrical installation should be performed only by qualified technicians. Any problem or questions pertaining to another brand control must be referred to that control supplier or manufacturer. Our technical people have no technical schematics or trouble shooting information for other companies' controls.

### ALARMS

We recommend the installation of an alarm on all Wastewater pump installations. Many standard control panels come equipped with alarm circuits. If a control panel is not used, a stand alone high liquid level alarm is available. The alarm alerts the owner of a high liquid level in the system so they can contact the appropriate service personnel to investigate the situation.

## INSTALLATION

Connect the pump(s) to the guide rail pump adapters or to the discharge piping. Guide rail bases should be anchored to the wetwell floor.

Complete all wiring per the control panel wiring diagrams and NEC, Canadian, state, provincial and/or local codes. This is a good time to check for proper rotation of the motors/impellers.



### **DO NOT PLACE HANDS IN PUMP SUCTION WHILE CHECKING MOTOR ROTATION. TO DO SO WILL CAUSE SEVERE PERSONAL INJURY.**

Always verify correct rotation. Correct rotation is indicated on the pump casing. Three phase motors are reversible. It is allowable to bump or jog the motor for a few seconds to check impeller rotation. It is easier to check rotation before installing the pump. Switch any two power leads to reverse rotation.

Lower the pump(s) into the wetwell.

Check to insure that the floats will operate freely and not contact the piping.

## OPERATION

Once the piping connections are made and checked you can run the pumps.

**Control Panel Operation** - Fill the wetwell with clear water.

## NOMENCLATURE DESCRIPTION

### **1st, 2nd and 3rd Characters - Discharge Size and Type**

1GD = 1 1/4" discharge, grinder, dual seal

### **4th Character - Mechanical Seals**

5 = silicon carbide/silicon carbide/BUNA - lower seal and carbon/ceramic/BUNA - upper seal (standard)

3 = silicon carbide/tungsten carbide/BUNA - lower seal and carbon/ceramic/BUNA - upper seal (optional)

### **5th Character - Cycle/RPM**

1 = 60 Hz/3500 RPM

5 = 50 Hz/2900 RPM

### **6th Character - Horsepower**

G = 2 HP

### **7th Character - Phase/Voltage**

1 = single phase, 230 V

2 = three phase, 200 V

3 = three phase, 230 V

4 = three phase, 460 V

5 = three phase, 575 V

6 = three phase, 380 V

8 = single phase, 208 V

Use the pump H-O-A (Hand-Off-Automatic) switches in Hand to test the pumps. If they operate well in Hand proceed to test Automatic operation. If the pumps run but fail to pump, they are probably air locked, drill the relief holes per the instructions in the Piping Section.

Place Control Panel switch(es) in Automatic position and thoroughly test the operation of the ON, OFF, and Alarm floats by filling the wetwell with clear water.

**Important:** Failure to provide a Neutral from the power supply to a 1Ø, 230 volt Control Panel will not allow the panel control circuit to operate. The Neutral is necessary to complete the 115 volt control circuit.

Check voltage and amperage and record the data on the front of this manual for future reference. Compare the amperage readings to the pump nameplate maximum amperage. If higher than nameplate amperage investigate cause. Operating the pump off the curve, i.e. with too little head or with high or low voltage will increase amperage. The motor will operate properly with voltage not more than 10% above or below pump nameplate ratings. Performance within this range will not necessarily be the same as the published performance at the exact rated nameplate frequency and voltage. Correct the problem before proceeding. Three phase unbalance is also a possible cause. See *Three Phase Power Unbalance* and follow the instructions.

Reset the Alarm circuit, place pump switch(es) in the Automatic position and Control Switch in ON position. The system is now ready for automatic operation.

Explain the operation of the pumps, controls and alarms to the end user. Leave the paperwork with the owner or at the control panel if in a dry, secure location.

### **8th Character - Impeller Diameter**

A = 5 5/8", Standard

C = 4 3/4"

B = 5 1/4"

D = 4 1/4"

### **9th Character - Cord Length (Power and Sensor)**

A = 20' (standard)

F = 50'

D = 30'

J = 100'

### **10th Character - Options**

S = Seal fail, moisture sensing circuit<sup>1</sup>

E = Epoxy paint

### **Last Character - Option**

H = Pilot duty thermal sensors<sup>1</sup>

<sup>1</sup>These options add a 2-wire or 4-wire sensor cord to the pump and require optional control panel circuits to operate. See panel options on control panel bulletin BCP5.



## FLOAT SWITCH AND PANEL CHART

The purpose of this chart is to show the required switch quantities and the function of each switch in a typical wastewater system. The quantities required vary depending on the switch type, single-action or wide-angle. Switch quantities also vary by panel type: simplex with and without alarms, and duplex with alarms.

### Duplex Panels using single-action switches:

#### Three Float Panel Wiring

SW1	Bottom	Pumps Off
SW2	Middle	1st Pump On
SW3	Top	2nd Pump & Alarm On

#### Four Float Panel Wiring ②

SW1	Bottom	Pumps Off
SW2	2nd	1st Pump On
SW3	3rd	2nd Pump On
SW4	Top	Alarm On

### Duplex Panels using wide-angle switches:

#### Three Float Panel Wiring

SW1	Bottom	1st Pump On/Both Off
SW2	Top	2nd Pump & Alarm On

#### Four Float Panel Wiring

SW1	Bottom	1st Pump On/Both Off
SW2	Middle	2nd Pump On
SW3	Top	Alarm On

### Simplex Panel using single-action switches:

#### Simplex Panel with Alarm ①

SW1	Bottom	Pump Off
SW2	Middle	Pump On
SW3	Top	Alarm On/Off

#### Simplex Panel with No Alarm

SW1	Bottom	Pump Off
SW2	Top	Pump On

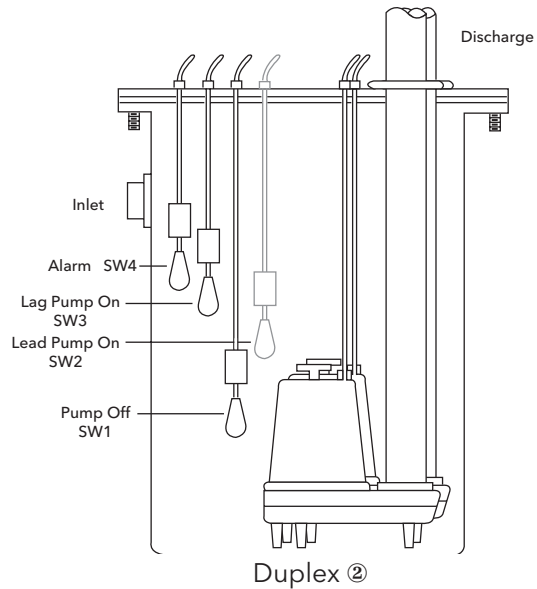
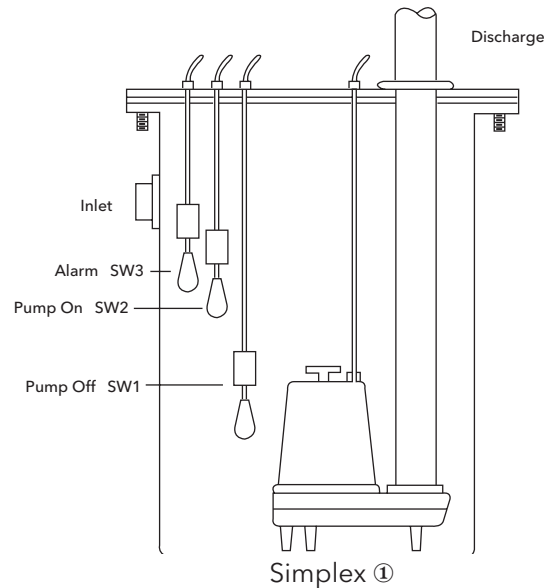
### Simplex Panel using wide-angle switches:

#### Simplex Panel with Alarm

SW1	Bottom	Pump On/Off
SW2	Top	Alarm On/Off

#### Simplex Panel with No Alarm

SW1	Pump On/Off
-----	-------------



### THREE PHASE POWER UNBALANCE

A full three phase supply consisting of three individual transformers or one three phase transformer is recommended. "Open" delta or wye connections using only two transformers can be used, but are more likely to cause poor performance, overload tripping or early motor failure due to current unbalance.

Check the current in each of the three motor leads and calculate the current unbalance as explained below.

If the current unbalance is 2% or less, leave the leads as connected.

If the current unbalance is more than 2%, current readings should be checked on each leg using each of the three possible hook-ups. Roll the motor leads across the starter in the same direction to prevent motor reversal.

To calculate percent of current unbalance:

A. Add the three line amp values together.

B. Divide the sum by three, yielding average current.

C. Pick the amp value which is furthest from the average current (either high or low).

D. Determine the difference between this amp value (furthest from average) and the average.

E. Divide the difference by the average. Multiply the result by 100 to determine percent of unbalance.

Current unbalance should not exceed 5% at service factor load or 10% at rated input load. If the unbalance cannot be corrected by rolling leads, the source of the unbalance must be located and corrected. If, on the three possible hookups, the leg farthest from the average stays on the same power lead, most of the unbalance is coming from the power source.

Contact your local power company to resolve the imbalance.

	Hookup 1			Hookup 2			Hookup 3		
Starter Terminals	L1	L2	L3	L1	L2	L3	L1	L2	L3
	$\frac{1}{T}$	$\frac{1}{T}$	$\frac{1}{T}$	$\frac{1}{T}$	$\frac{1}{T}$	$\frac{1}{T}$	$\frac{1}{T}$	$\frac{1}{T}$	$\frac{1}{T}$
Motor Leads	R	B	W	W	R	B	B	W	R
	T3	T1	T2	T2	T3	T1	T1	T2	T3

#### Example:

T3-R = 51 amps  
 T1-B = 46 amps  
 T2-W = 53 amps  
 Total = 150 amps  
 $\div 3 = 50$  amps  
 $- 46 = 4$  amps  
 $4 \div 50 = .08$  or 8%

T2-W = 50 amps  
 T3-R = 48 amps  
 T1-B = 52 amps  
 Total = 150 amps  
 $\div 3 = 50$  amps  
 $- 48 = 2$  amps  
 $2 \div 50 = .04$  or 4%

T1-B = 50 amps  
 T2-W = 49 amps  
 T3-R = 51 amps  
 Total = 150 amps  
 $\div 3 = 50$  amps  
 $- 49 = 1$  amps  
 $1 \div 50 = .02$  or 2%

### INSULATION RESISTANCE READINGS

#### Normal Ohm and Megohm Values between all leads and ground

Condition of Motor and Leads	Ohm Value	Megohm Value
A new motor (without drop cable).	20,000,000 (or more)	20 (or more)
A used motor which can be reinstalled in well.	10,000,000 (or more)	10 (or more)
<b>Motor in well. Readings are for drop cable plus motor.</b>		
New motor.	2,000,000 (or more)	2 (or more)
Motor in good condition.	500,000 - 2,000,000	.5 - 2
Insulation damage, locate and repair.	Less than 500,000	Less than .5

Insulation resistance varies very little with rating. Motors of all HP, voltage and phase ratings have similar values of insulation resistance.

Insulation resistance values above are based on readings taken with a megohmmeter with a 500V DC output. Readings may vary using a lower voltage ohmmeter, consult factory if readings are in question.

This table was reprinted through the courtesy of Franklin Electric.



# ENGINEERING DATA

Engineering data for specific models may be found in your catalog and on our website (address is on the cover).

PUMP OPERATION GUIDELINES			
Minimum Submergence		Maximum Fluid Temperature	
Continuous Duty	Fully Submerged	Continuous Operation	104° F 40° C
Intermittent Duty	6" Below Top of Motor	Intermittent Operation	140° F 60° C

## RECOMMENDED 1Ø CONTROL PANELS

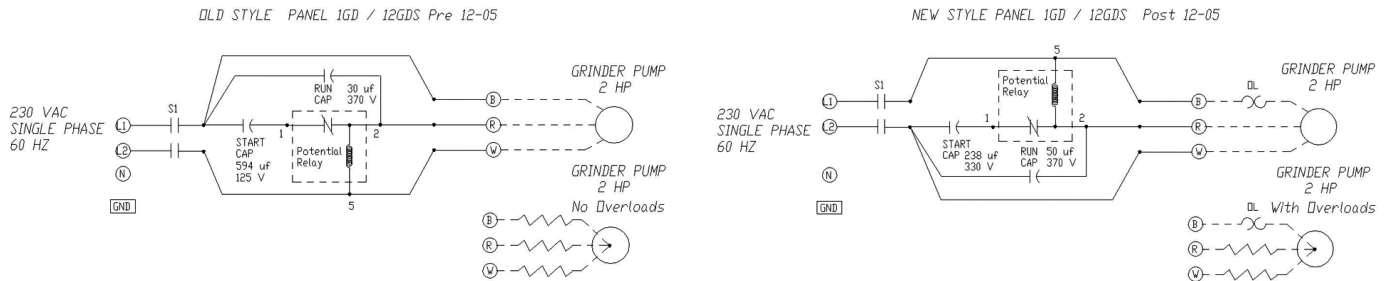
Effective with December 2005 (M05) Date Codes - Single-Phase 1GD Pumps Contain a Built-in, Auto Reset Overload.

### Important Control Panel Requirements and Notes:

- 1) See panel bulletin BCP5 for other available options.
- 2) These pumps require a magnetic contactor, start and run capacitors and a starting relay in the control panel.
- 3) CP-1GDB Capacitor packs with starting relays are available on product bulletin BCPCAP. They are for certified panel shops to "build" into a custom panel. Field installing capacitor packs into a S10020 or D10020 will negate the UL listing on that panel and is therefore not permissible.

Pump Order No.	Pump Seal Fail Circuit	Voltage / Phase	Recommended Control Panel	
			Simplex	Duplex
1GD51G1A-	NO	230 / 1	S1GD2	D1GD2
1GD51G8A-	NO	208 / 1	S1GD2	D1GD2
1GD51G1A-S	YES	230 / 1	S1GD2H	D1GD2J
1GD51G8A-S	YES	208 / 1	S1GD2H	D1GD2J

## PANEL CAPACITOR WIRING DIAGRAMS



## TYPICAL PLUMBING AND INSTALLATION

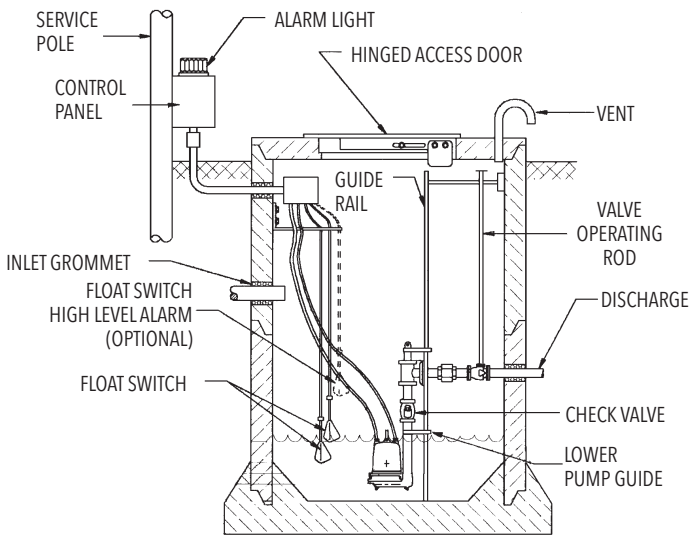


Fig. 1

### Typical Three Phase Connection Diagram

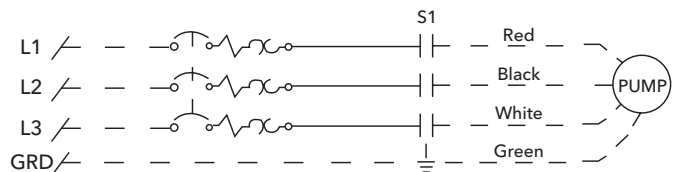


Fig. 2

## TROUBLESHOOTING



**FAILURE TO DISCONNECT AND LOCKOUT ELECTRICAL POWER BEFORE ATTEMPTING ANY SERVICE CAN CAUSE SHOCK, BURNS OR DEATH.**

SYMPTOM	PROBABLE CAUSE	RECOMMENDED ACTION
<b>MOTOR NOT RUNNING</b> <b>NOTE:</b> If circuit breaker "OPENS" repeatedly, <b>DO NOT</b> reset. Call qualified electrician.	Motor thermal protector tripped.	Allow motor to cool. Insure minimum pump submergence. Clear debris from casing and impeller.
	Open circuit breaker or blown fuse. Pump impeller binding or jammed.	Determine cause, call a qualified electrician. Check motor amp draw. If two or more times higher than listed on pump nameplate, impeller or cutter is locked, motor bearings or shaft is damaged. Clear debris from cutter casing and impeller, consult with dealer.
a) Manual operation  b) Automatic operation	Power cable is damaged. Inadequate electrical connection in control panel.	Resistance between power leads and ground should read infinity. If any reading is incorrect, call a qualified electrician.
	No neutral wire connected to control panel. Inadequate electrical connection in control panel. Defective liquid level switch.	Inspect control panel wiring. Call a qualified electrician. With switch disconnected, check continuity while activating liquid level switch. Replace switch, as required.
<b>NOTE:</b> Check the pump in manual mode first to confirm operation. If pump operates, the automatic control or wiring is at fault. If pump does not operate, see above.	Insufficient liquid level to activate controls. Liquid level cords tangled.	Allow liquid level to rise 3" to 4" (76 mm - 101 mm) above turn-on level. Untangle cords and insure free operation.
	<b>PUMP WILL NOT TURN OFF</b>	Liquid level cords tangled.  Pump is air locked.  Influent flow is matching pump's discharge capacity.
<b>LITTLE OR NO LIQUID DELIVERED BY PUMP</b>	Check valve installed backwards, plugged or stuck closed.	Check flow arrow on valve and check valve operation.
	Excessive system head.	Consult with dealer.
	Pump inlet plugged.	Inspect and clear as required.
	Improper voltage or wired incorrectly.	Check pump rotation, voltage and wiring. Consult with qualified electrician.
	Pump is air locked.	See recommended action, above.
	Impeller is worn or damaged. Liquid level controls defective or improperly positioned.	Inspect impeller, replace as required. Inspect, readjust or replace as required.
<b>PUMP CYCLES CONSTANTLY</b>	Discharge check valve inoperative.	Inspect, repair or replace as required.
	Sewage containment area too small.	Consult with dealer.
	Liquid level controls defective or improperly positioned. Influent excessive for this size pump.	Inspect, readjust or replace as required. Consult with dealer.

## NOTES

## LIMITED CONSUMER WARRANTY

For goods sold for personal, family or household purposes, Seller warrants the goods purchased hereunder (with the exception of membranes, seals, gaskets, elastomer materials, coatings and other "wear parts" or consumables all of which are not warranted except as otherwise provided in the quotation or sales form) will be free from defects in material and workmanship for a period of one (1) year from the date of installation or eighteen (18) months from the product date code, whichever shall occur first, unless a longer period is provided by law or is specified in the product documentation (the "Warranty").

Except as otherwise required by law, Seller shall, at its option and at no cost to Buyer, either repair or replace any product which fails to conform with the Warranty provided Buyer gives written notice to Seller of any defects in material or workmanship within ten (10) days of the date when any defects or non-conformance are first manifest. Under either repair or replacement option, Seller shall not be obligated to remove or pay for the removal of the defective product or install or pay for the installation of the replaced or repaired product and Buyer shall be responsible for all other costs, including, but not limited to, service costs, shipping fees and expenses. Seller shall have sole discretion as to the method or means of repair or replacement. Buyer's failure to comply with Seller's repair or replacement directions shall terminate Seller's obligations under this Warranty and render this Warranty void. Any parts repaired or replaced under the Warranty are warranted only for the balance of the warranty period on the parts that were repaired or replaced. The Warranty is conditioned on Buyer giving written notice to Seller of any defects in material or workmanship of warranted goods within ten (10) days of the date when any defects are first manifest.

Seller shall have no warranty obligations to Buyer with respect to any product or parts of a product that have been: (a) repaired by third parties other than Seller or without Seller's written approval; (b) subject to misuse, misapplication, neglect, alteration, accident, or physical damage; (c) used in a manner contrary to Seller's instructions for installation, operation and maintenance; (d) damaged from ordinary wear and tear, corrosion, or chemical attack; (e) damaged due to abnormal conditions, vibration, failure to properly prime, or operation without flow; (f) damaged due to a defective power supply or improper electrical protection; or (g) damaged resulting from the use of accessory equipment not sold or approved by Seller. In any case of products not manufactured by Seller, there is no warranty from Seller; however, Seller will extend to Buyer any warranty received from Seller's supplier of such products.

**Goulds Water Technology Policy Concerning Online Sales to Consumers.** Homeowners using the Internet to locate information regarding residential water systems, residential wastewater systems, controls and tanks may discover several sites offering a direct-to-consumer purchasing opportunity. Residential water and wastewater systems are mission critical applications and are designed to be installed by qualified professionals. Goulds Water Technology has an extensive nationwide network of distributors and dealers, including authorized resellers. For a complete view of Goulds Water Technology recognized distributors, dealers and authorized resellers, please refer to our locator at: <http://goulds.com/sales-service/>

No warranty is offered on Goulds Water Technology equipment purchased over the Internet, including web-based options from unauthorized retailers. This policy is necessary to ensure that Goulds Water Technology equipment is installed properly, in compliance with applicable laws, rules and codes, in a manner that addresses safety concerns and the proper performance of Goulds Water Technology equipment.

THE FOREGOING WARRANTY IS PROVIDED IN PLACE OF ALL OTHER EXPRESS WARRANTIES. ALL IMPLIED WARRANTIES, INCLUDING BUT NOT LIMITED TO THE IMPLIED WARRANTIES OF MERCHANTABILITY AND FITNESS FOR A PARTICULAR PURPOSE, ARE LIMITED TO ONE (1) YEAR FROM THE DATE OF INSTALLATION OR EIGHTEEN (18) MONTHS FROM THE PRODUCT DATE CODE, WHICHEVER SHALL OCCUR FIRST. EXCEPT AS OTHERWISE REQUIRED BY LAW, BUYER'S EXCLUSIVE REMEDY AND SELLER'S AGGREGATE LIABILITY FOR BREACH OF ANY OF THE FOREGOING WARRANTIES ARE LIMITED TO REPAIRING OR REPLACING THE PRODUCT AND SHALL IN ALL CASES BE LIMITED TO THE AMOUNT PAID BY THE BUYER FOR THE DEFECTIVE PRODUCT. IN NO EVENT SHALL SELLER BE LIABLE FOR ANY OTHER FORM OF DAMAGES, WHETHER DIRECT, INDIRECT, LIQUIDATED, INCIDENTAL, CONSEQUENTIAL, PUNITIVE, EXEMPLARY OR SPECIAL DAMAGES, INCLUDING BUT NOT LIMITED TO LOSS OF PROFIT, LOSS OF ANTICIPATED SAVINGS OR REVENUE, LOSS OF INCOME, LOSS OF BUSINESS, LOSS OF PRODUCTION, LOSS OF OPPORTUNITY OR LOSS OF REPUTATION.

Some states do not allow limitations on how long an implied warranty lasts, so the above limitation may not apply to you. Some states do not allow the exclusion or limitation of incidental or consequential damages, so the above exclusions may not apply to you. This warranty gives you specific legal rights, and you may also have other rights which may vary from state to state.

To make a warranty claim, check first with the dealer from whom you purchased the product or visit [www.xylem.com](http://www.xylem.com) for the name and location of the nearest dealer providing warranty service.



**Xylem Inc.**  
2881 East Bayard Street Ext., Suite A  
Seneca Falls, NY 13148  
Phone: (866) 325-4210  
Fax: (888) 322-5877  
[www.xylem.com/goulds](http://www.xylem.com/goulds)

Goulds is a registered trademark of Goulds Pumps, Inc. and is used under license.  
© 2019 Xylem Inc. IM039 Revision Number 8 March 2019

**⚠ ADVERTENCIA** A partir de diciembre de 2005 (código de fecha M05) se encuentran en vigencia importantes cambios en los motores monofásicos. Ahora poseen una sobrecarga de cableado incorporado. Además requieren condensadores de arranque y funcionamiento en el panel de control diferentes de los motores antiguos. Lea la información acerca del cableado del panel y los cambios de condensadores que se necesitan para hacer funcionar una bomba nueva con un panel de control antiguo.

# Bombas trituradoras

Monofásicas y trifásicas, descarga de 1 ¼ pulg.

**MANUAL DE INSTALACIÓN, OPERACIÓN E IDENTIFICACIÓN Y  
RESOLUCIÓN DE PROBLEMAS**



## Información del propietario

Número de modelo de la bomba: \_\_\_\_\_

Número de serie de la bomba: \_\_\_\_\_

Opciones de la bomba (vea Nomenclatura)

- Sensor de falla del sello (detección de humedad) \_\_\_\_\_
- Sensor piloto de alta temperatura de servicio \_\_\_\_\_

Número de modelo del control: \_\_\_\_\_

Agente: \_\_\_\_\_

No. telefónico del agente: \_\_\_\_\_

Fecha de compra: \_\_\_\_\_ Instalación: \_\_\_\_\_

Lecturas actuales en el momento de la puesta en marcha:

<b>1Ø</b>	<b>3Ø</b>	L1-2	L2-3	L3-1
Amperios: _____	Amperios: _____	_____	_____	_____
Voltios: _____	Voltios: _____	_____	_____	_____

## Índice

<b>TEMA</b>	<b>PÁGINA</b>
Instrucciones de seguridad .....	15
Verificaciones preliminares a la instalación .....	15
Levantamiento de la bomba .....	15
Riel de guía o sistema de levantamiento opcional....	15
Tuberías.....	16
Alambrado y conexión a tierra.....	16
Selección y cableado de los interruptores y paneles de control de la bomba.....	16-17
Instalación.....	17
Operación.....	17-18
Tabla del panel e interruptores de flotador .....	18
Desbalance de potencia trifásica.....	19
Lecturas de resistencia de aislamiento .....	19
Datos de ingeniería .....	20
Instalaciones típicas.....	21
Identificación y resolución de problemas .....	22
Garantía limitada.....	24



## INSTRUCCIONES DE SEGURIDAD

**PARA EVITAR LESIONES PERSONALES GRAVES O AÚN FATALES Y SERIOS DAÑOS MATERIALES, LEA Y SIGA TODAS LAS INSTRUCCIONES DE SEGURIDAD EN EL MANUAL Y EN LA BOMBA.**

**ESTE MANUAL HA SIDO CREADO COMO UNA GUÍA PARA LA INSTALACIÓN Y OPERACIÓN DE ESTA UNIDAD Y SE DEBE CONSERVAR JUNTO A LA BOMBA.**



Éste es un **SÍMBOLO DE ALERTA DE SEGURIDAD**. Cuando vea este símbolo en la bomba o en el manual, busque una de las siguientes palabras de señal y esté alerta a la probabilidad de lesiones personales o daños materiales.



Advierte los peligros que **CAUSARÁN** graves lesiones personales, la muerte o daños materiales mayores.



Advierte los peligros que **PUEDEN** causar graves lesiones personales, la muerte o daños materiales mayores.



Advierte los peligros que **PUEDEN** causar lesiones personales o daños materiales.

**AVISO: INDICA INSTRUCCIONES ESPECIALES QUE SON MUY IMPORTANTES Y QUE SE DEBEN SEGUIR.**

**EXAMINE BIEN TODAS LAS INSTRUCCIONES Y ADVERTENCIAS ANTES DE REALIZAR CUALQUIER TRABAJO EN ESTA BOMBA.**

**MANTENGA TODAS LAS CALCOMANÍAS DE SEGURIDAD.**



Este puede exponerlo a químicos, incluido el plomo, reconocidos por el estado de California por provocar cáncer y defectos del nacimiento u otros daños reproductivos. Para obtener más información, acceda a: [www.P65Warnings.ca.gov](http://www.P65Warnings.ca.gov).



Todo el trabajo eléctrico debe ser realizado por un técnico calificado. Siempre siga el Código Eléctrico de EE.UU. (NEC) o el Código Eléctrico Canadiense, además de todos los códigos locales, estatales y provinciales. Las preguntas acerca del código deben ser dirigidas al inspector eléctrico local. Si se hace caso omiso a los códigos eléctricos y normas de seguridad de OSHA, se pueden producir lesiones personales o daños al equipo. Si se hace caso omiso a las instrucciones de instalación del fabricante, se puede producir electrochoque, peligro de incendio, lesiones personales o aún la muerte, daños al equipo, rendimiento insatisfactorio y podría anularse la garantía del fabricante.



Las unidades estándar no están diseñadas para usarse en albercas, masas abiertas de agua, líquidos peligrosos o donde existan gases inflamables. Estos fluidos y gases podrían estar presentes en áreas de contención. El tanque o pozo debe ser ventilado de acuerdo con los códigos locales.

En lugares con líquidos inflamables o donde pudiesen haber gases inflamables sólo deben usarse bombas específicamente clasificadas para áreas de Clase 1, División 1. *Consulte los boletines de catálogos de bombas específicas o la placa de identificación de la bomba con respecto a las listas de agencias.*



Desconecte y bloquee la corriente eléctrica antes de instalar o dar servicio a cualquier equipo eléctrico. Muchas bombas están equipadas con protección automática contra la sobrecarga térmica, la cual podría permitir que una bomba demasiado caliente re arranque inesperadamente.



Todos los paneles de control trifásicos (3Ø) para bombas sumergibles deben incluir protección contra sobrecarga de Clase 10, de disparo rápido.

### VERIFICACIONES PRELIMINARES A LA INSTALACIÓN

Abra todas las cajas e inspeccione el equipo para determinar si se ocasionaron daños durante el envío. Notifique cualquier daño a su proveedor o a la compañía de transporte de inmediato.

**Importante:** Siempre verifique que las clasificaciones de corriente, tensión, fase y potencia en la placa de identificación de la bomba correspondan con las del panel de control y fuente de alimentación.

Muchas de nuestras bombas para alcantarillado están llenas con aceite. Si hay alguna señal de fuga de aceite o si la unidad estuvo almacenada durante largo tiempo, verifique el nivel de aceite en la cúpula del motor y la caja del sello, en caso de haberla.

Verifique el nivel de aceite de la cubierta del motor a través del tapón de la tubería en el extremo superior de la unidad. El aceite en la cámara del motor debe cubrir apenas el motor. ¡No llene en exceso, deje espacio para expansión!

Para verificar el nivel de aceite de la caja del sello, en caso que se use, coloque la unidad de lado con el tapón de llenado en la posición de las 12:00 horas. Retire el tapón. El aceite debe estar a menos de ½ pulg. (13 mm) del borde superior. Si el nivel está bajo, agregue aceite para turbinas ASTM 150. Reinstale el tapón.

Puede obtenerse aceite en latas de 5 galones de nuestros distribuidores. También puede obtener aceite a nivel local en talleres de reparación de motores. Las marcas típicas de aceite son: Shell Turbo 32, Sunoco Sunvis 932, Texaco Regal R&O 32, Exxon Nuto 32 y Mobil DTE Light.

Inspeccione la tuerca de alivio de tensión en los conjuntos de protección contra tirones de los cables de alimentación. Torsión de los cables de alimentación: 75 pulg.-lbs. para cables #16 y 80 pulg.-lbs. para todos los otros tipos de cable. La torsión de los cables de sensores de sello/calor, cuando se usen, debe ser de 75 pulg.-lbs.

La garantía no cubre daños causados por conectar bombas y controles a la fuente de energía incorrecta (fuente de tensión/fase).

Para futuras referencias, adhiera la etiqueta que se suministra con la bomba en el frente de este manual y registre los números de modelos y los números de serie de las bombas y del panel de control. Entregue el manual al propietario o adjúntelo al panel de control una vez finalizada la instalación.

## LEVANTAMIENTO DE LA BOMBA



**NO LEVANTE NI TRANSPORTE NI CUELGUE LA BOMBA DE LOS CABLES ELÉCTRICOS. EL DAÑO A LOS CABLES ELÉCTRICOS PUEDE PRODUCIR ELECTROCHOQUE, QUEMADURAS O AÚN LA MUERTE.**

Levante la bomba con una cadena o cable de tamaño adecuado conectado al perno de ojo de levantamiento. **NO** dañe los cables eléctricos o de los sensores al subir y bajar la unidad.

## RIEL GUÍA Y SISTEMA DE CODO BASE OPCIONALES

En muchos estanques de alcantarillado y efluentes o estaciones de elevación se recomienda instalar la bomba en un sistema de riel guía para hacer más fácil la instalación y la extracción de la bomba y para realizar tareas de inspección y/o de servicio. La mayoría de los códigos no permiten que el personal ingrese a un pozo de sumidero sin el equipo de protección adecuada y sin estar convenientemente capacitados. Los rieles guías están diseñados para permitir que la bomba se extraiga con facilidad, sin necesidad de ingresar al pozo sumidero o desorganizar la tubería. El riel guía deberá ubicar la bomba opuesta a la abertura del líquido entrante, evitando las áreas estancadas donde se pueden asentar elementos sólidos. El estanque o fosa debe ser capaz de soportar el peso de la bomba y del riel guía. El piso de la fosa debe ser plano.

**AVISO:** SIGA LAS INSTRUCCIONES INCLUIDAS CON EL CONJUNTO DEL RIEL DE GUÍA.

## TUBERÍAS

La tubería de descarga no debe ser más pequeña que el diámetro de descarga de la bomba y debe mantenerse lo más corta posible, evitando los accesorios innecesarios para reducir al mínimo las pérdidas por fricción.

Instale una válvula de retención para impedir el retroceso. El contraflujo puede hacer que la bomba "gire" en dirección inversa, produciendo un desgaste prematuro del sello y/o del cojinete. Si la bomba gira en sentido inverso al arrancar, el aumento de torsión puede dañar el motor y/o el eje del motor de la bomba y algunas bombas monofásicas hasta podrían funcionar en sentido inverso.

Instale una válvula de compuerta de tamaño adecuado después de la válvula de retención para facilitar el mantenimiento de la bomba, las tuberías y la válvula de retención.

**Importante - antes de instalar la bomba.** Perfore un orificio de alivio de  $\frac{3}{16}$  pulg. (4.8 mm) en la tubería de descarga. Debe situarse dentro del pozo, a 2 pulg. (51 mm) sobre la descarga de la bomba, pero debajo de la válvula de retención. El orificio de alivio permite el escape de aire de la carcasa. Al permitir que entre líquido a la carcasa se asegura que la bomba pueda arrancar cuando el nivel de líquido aumente. A menos que se proporcione un orificio de alivio, una bomba de toma inferior podría "obstruirse con aire" y no bombear agua, a pesar de que el impulsor gire.

Todas las tuberías deben estar apoyadas correctamente, de modo que no se apliquen esfuerzos o cargas de las tuberías a la bomba.

La cubierta de acceso a la fosa debe ser de tamaño suficiente para permitir realizar el servicio de inspección, mantenimiento y levantamiento con grúa o montacargas.

## CABLEADO Y CONEXIÓN A TIERRA

*Aviso importante: Lea las instrucciones de seguridad antes de proseguir con el cableado.*



Use únicamente alambre trenzado de cobre para la bomba/motor y la conexión a tierra. El alambre de conexión a tierra debe ser al menos del mismo tamaño que los alambres de la fuente de alimentación. Los alambres deben codificarse con colores para facilitar el mantenimiento y la identificación y resolución de problemas.



Instale los cables y la conexión a tierra de acuerdo con el Código Eléctrico de EE.UU. (NEC) o el Código Eléctrico Canadiense, además de los códigos locales, estatales y provinciales.



Instale un desconectador de todos los circuitos donde el código lo requiera.



Desconecte y bloquee la corriente eléctrica antes de instalar o dar servicio.



La tensión y fase de la fuente de alimentación debe corresponder con todos los requerimientos del equipo. La tensión o fase incorrecta puede producir incendio, daño al motor o a los controles y anula la garantía.



Todos los empalmes debe ser impermeables. Si utiliza juegos de empalme, siga las instrucciones del fabricante.



Seleccione una caja de conexiones NEMA del tipo correcto para la aplicación y ubicación. La caja de conexiones debe garantizar conexiones de cableado seguras y secas.



Selle todos los controles de los gases presentes que pudiesen dañar los componentes eléctricos.



**LA FALLA DE CONECTAR A TIERRA PERMANENTEMENTE LA BOMBA, EL MOTOR Y LOS CONTROLES, ANTES DE CONECTAR LA CORRIENTE ELÉCTRICA, PUEDE CAUSAR ELECTROCHOQUE, QUEMADURAS O LA MUERTE.**

**EN EL CASO DE UNIDADES SIN ENCHUFE, NO quite el cable ni el protector contra tirones. NO CONECTE EL TUBO-CONDUCTO A LA BOMBA.**

## SELECCIÓN Y CABLEADO DE LOS PANELES DE CONTROL DE LA BOMBA

**Los diagramas de cableado del panel de control se envían con los paneles de control. Por favor, utilice los planos del panel de control junto con este manual de instrucción para completar el cableado.**

**Importante - Lea antes de continuar**

**Información del cambio de diseño del motor monofásico - Solamente para una bomba nueva instalada en un panel antiguo.**

Sobrecarga y condensadores: las bombas monofásicas construidas después del 1 de diciembre

de 2005 (código de fecha M05) ofrecen una sobrecarga de cableado incorporado. Si reemplaza una bomba anterior a diciembre de 2005 (código de fecha L05 o anterior) debe cambiar los condensadores en el antiguo panel de control.

Cable de sobrecarga/sensor identificador de alta temperatura de ciclo: las bombas monofásicas anteriores a diciembre de 2005 contaban con un cable sensor piloto de alta temperatura de ciclo conectado entre la bomba y un bloque calentador de sobrecarga en el panel de control. Tendrá que instalar un cable de acoplamiento a través de las dos terminales de alta temperatura y de sobrecarga cuando instale una bomba nueva en un panel antiguo o puede ocurrir que la bomba nueva no funcione.

Las bombas monofásicas estándar ya no poseen un cable sensor piloto de alta temperatura de ciclo pero se encuentra disponible como elemento opcional. Otra opción es un sensor de falla del sello y cable. Utilice los datos de Nomenclatura que se encuentran en este manual y el número de orden de la bomba para determinar qué características opcionales se encuentran en la bomba que está instalando.

## REQUISITOS DEL PANEL DE CONTROL

**Paneles de control monofásicos -Vigente a partir de diciembre de 2005**, código de fecha M05, las bombas trituradoras serie 1GD y 12 GDS requieren de un panel de control que, como mínimo, contenga:

- Interruptor magnético.
- Condensador de arranque.
- Condensador de funcionamiento.
- Relé de arranque.
- Banda de conector de cableado para todas las conexiones externas.

**Vea el gráfico de panel recomendado en la sección Datos de ingeniería.**

### Información del condensador y del relé de arranque

Descripción	Orden de CPI GDB para una bomba nueva	Parte N° de orden - Vieja bomba
Cond. de arranque	216-259 Mfd @ 330 vac	RB-61 (594 Mfd @ 125 vac)
Cond. de funcionamiento	50 Mfd @ 370 vac	RB-62 (30 Mfd @ 370 vac)
Relé de arranque	9K458 (RVA2ALKL)	9K458 or RB-60 (155031 102)

### Paneles de control trifásicos

Las bombas trituradoras trifásicas serie 1GD y 12GDS requieren un panel de control que contenga como mínimo:

- Un cortacircuitos tripolar.
- Arrancador magnético con sobrecargas Clase 10 de compensación ambiental.
- Transformador para suministrar potencia de control de 115 ó 24 voltios.
- Regleta de terminales para todas las conexiones externas.

### OPCIONES RECOMENDADAS PARA EL PANEL DE CONTROL Y LA BOMBA

- Un circuito de falla del sello del panel con relé y el dispositivo de advertencia solamente se pueden utilizar si la bomba se encuentra equipada con un sensor de falla del sello.
- Circuito de alarma de alto nivel
- Dispositivo de alarma de alto nivel visual y/o sonoro.

Nuestros "Paneles de bombas trituradoras monofásicas" simples y dobles (vea el libro de precios) constan de condensadores, un relé de arranque y terminales de cableado incorporados.

En caso de que desee obtener un panel de control local, vendemos equipos de condensadores que un taller de paneles podría incorporar a un panel del cliente. Nota: los equipos contienen condensadores y relé de arranque. Estos no son accesorios que se puedan instalar en terreno. La instalación de un equipo de condensadores a un panel de control es un trabajo para un taller que cuente con la probación UL y CSA. En lo que respecta a responsabilidad legal, la seguridad del instalador y la aprobación de la agencia, no autorizamos a nuestros técnicos de Servicio al Cliente a ayudar a ninguna persona que intente modificar en terreno un panel de control estándar utilizando estos equipos de condensadores. Esperamos que usted comprenda y respete nuestra posición al respecto. Los "Paneles de control recomendados" se indican en los Boletines de productos incluidos en el catálogo del producto correspondiente o en el sitio web que se nombra en la cubierta de este manual de instrucciones (IOM).

### Sensor de alta temperatura del motor:

Las bombas monofásicas 1GD o 12GDS cuentan con una característica adicional: un sensor de alta temperatura de motor incorporado. Este sensor de calor abre y cierra el circuito a la bobina del interruptor cuando se encuentra correctamente conectado al panel de control. Se abre cuando el motor alcanza los 275 °F (135 °C) y detiene la bomba. A medida que la temperatura del motor desciende a 112 °F (78 °C) el motor vuelve a arrancar automáticamente.

### Sensor de falla del sello (detección de humedad) de la bomba:

Es una opción en la bomba 1GD y estándar en la bomba 12GDS. Este sensor se encuentra ubicado en la cámara de sello y detecta la presencia de humedad en dicha cámara. Cuando se halla conectado a un relé de falla de sello y a un dispositivo de advertencia opcionales en el panel de control, indica que es necesario dar servicio al sello inferior.

**La opción del circuito de falla de sello se debe solicitar como una opción del panel de control, no se suministra como un elemento estándar.**

### TIPOS DE INTERRUPTORES DE FLOTADOR

Hay dos tipos de diseños de interruptor de flotador: de acción simple y de ángulo amplio. Los interruptores de acción simple funcionan en un rango de 15°, de manera que pueden abrirse y cerrarse con rapidez. Los flotadores de ángulo amplio funcionan con un giro de 90° con el largo de la traba entre el cuerpo del flotador y el punto de pivote controlando al rango de encendido-apagado. El diseño determina cuántos flotadores se requieren con los diferentes sistemas o controles.

Los flotadores pueden estar normalmente abiertos (N.A.) para aplicaciones de reducción de nivel o para vaciar un tanque. Los interruptores normalmente cerrados (N.C.) se utilizan para aumentar el nivel o para llenar un tanque.

Un interruptor de control sólo puede usarse con un panel de control, pero nunca directamente conectado a una bomba.

### INSTALACIÓN DE LOS INTERRUPTORES DE FLOTADOR

No hay reglas absolutas acerca de dónde instalar los interruptores de flotador, varía de trabajo a trabajo.

### Reglas sugeridas a seguir:

**¡Todos los flotadores deben instalarse debajo de la tubería de entrada!**



**Flotador de apagado: Primera preferencia:** instálelo de manera que el nivel del agua quede siempre sobre el extremo superior de la bomba (cúpula del motor). **Segunda preferencia:** instálelo de manera que el nivel del agua quede a no más de 6 pulg. por debajo del extremo superior de la bomba.

**Flotador de encendido:** instálelo de manera que el volumen de agua entre los flotadores de encendido y apagado permita que las bombas de dos (2) caballos de fuerza y mayores funcionen al menos 2 minutos. La literatura sobre estanques establece los galones de almacenaje por pulgada de altura del estanque.

**Flotador(es) de retardo/alarma:** deben escalonarse sobre los flotadores de apagado y encendido. Trate de utilizar la mayoría del almacenaje disponible ofrecido por el estanque, ahorre espacio para la capacidad de almacenaje de reserva. Consulte los diagramas y tablas en la Sección de Tablas de Interruptores de Flotador.

### DIAGRAMAS DE CABLEADO DEL PANEL

Nuestros paneles de control se envían con instrucciones y diagramas de cableado. Utilice dichas instrucciones en conjunto con este manual de instrucciones (IOM). La instalación eléctrica debe ser realizada por técnicos calificados únicamente. Cualquier problema o preguntas con respecto al control de otras marcas debe dirigirse a ese proveedor o al fabricante del control. Nuestro personal técnico no tiene diagramas esquemáticos técnicos o información de identificación y resolución de problemas de los controles de otras compañías.

### ALARMAS

Recomendamos la instalación de una alarma en todas las bombas para aguas residuales. Muchos paneles de control estándar vienen equipados con circuitos de alarma. Si no se usa un panel de control, se ofrece una alarma por alto nivel de líquido independiente. La alarma alerta al propietario acerca de una situación de alto nivel de líquido en el sistema, de manera que pueda comunicarse con el personal de servicio apropiado para que investigue la situación.

## DESCRIPCIÓN DE LA NOMENCLATURA

### 1º, 2º y 3º carácter - Tipo y tamaño de descarga

1GD = 1 \_" de descarga, trituradora, doble sello

### 4º carácter - Sellos mecánicos

5 = sello inferior - carburo de silicio/carburo de silicio/BUNA y sello superior (estándar) carbono/cerámica/BUNA

3 = sello inferior - carburo de silicio/carburo de tungsteno/BUNA y sello superior (opcional) carbono/cerámica/BUNA

### 5º carácter - Ciclo/RPM

1 = 60 Hz/3500 RPM

5 = 50 Hz/2900 RPM

### 6º carácter - Caballo de vapor

G = 2 HP

### 7º carácter - Tensión/fase

1 = monofásico, 230 V

2 = trifásico, 200 V

3 = trifásico, 230 V

4 = trifásico, 460 V

5 = trifásico, 575 V

6 = trifásico, 380 V

8 = monofásico, 208 V

## INSTALACIÓN

Conecte la(s) bomba(s) a los adaptadores de riel de guía o a la tubería de descarga. Las bases del riel de guía deben anclarse al piso del pozo.

Todas las conexiones deben realizarse de acuerdo con los diagramas de cableado del panel de control, el código eléctrico de EE.UU., el código canadiense y los códigos estatales, provinciales y/o locales. Éste es un buen momento para verificar la rotación apropiada de los motores/impulsores.



**NO COLOQUE LAS MANOS EN LA SUCCIÓN DE LA BOMBA MIENTRAS VERIFICA LA ROTACIÓN DEL MOTOR. EL HACERLO PRODUCIRÁ GRAVES LESIONES PERSONALES.**

Siempre verifique la rotación correcta. La rotación correcta se indica en la carcasa de la bomba. Los motores trifásicos son reversibles. Se permite arrancar brevemente o en marcha lenta el motor durante unos segundos para

verificar la rotación del impulsor. Es más fácil verificar la rotación antes de instalar la bomba. Intercambie dos de los conductores de potencia cualquiera para invertir la rotación.

Baje la(s) bomba(s) al pozo sumidero.

Inspeccione para verificar que los flotadores funcionen libremente y que no hagan contacto con la tubería.

## OPERACIÓN

Una vez que se hayan hecho y verificado las conexiones de las tuberías, se pueden poner en funcionamiento las bombas.

**Operación del panel de control** - Llene el pozo con agua limpia.

Utilice los interruptores H-O-A (manual - apagado - automático) de la bomba en la posición manual para probar las bombas. Si funcionan bien en la posición manual, pruebe la posición automática. Si las bombas funcionan pero no bombean, probablemente estén obstruidas con aire; perfore los orificios de alivio de acuerdo con las instrucciones en la Sección de Tuberías. Coloque el (los) interruptor(es) del panel de control en la posición automática y pruebe minuciosamente el funcionamiento de los flotadores de ENCENDIDO, APAGADO y alarma llenando el pozo con agua limpia. **Importante:** Si no se proporciona un neutro desde la fuente de alimentación a un panel de control monofásico de 230 voltios, el circuito de control del panel no operará. Es necesario el neutro para completar el circuito de control de 115 voltios.

### 8º carácter - Diámetro del impulsor

A = 5<sup>5</sup>/<sub>8</sub>" estándar

C = 4<sup>3</sup>/<sub>4</sub>"

B = 5<sup>1</sup>/<sub>4</sub>"

D = 4<sup>1</sup>/<sub>4</sub>"

### 9º carácter - Longitud del cable (energía y sensor)

A = 20' (estándar)

F = 50'

D = 30'

J = 100'

### 10º carácter - Opciones

S = falla del sello, circuito sensor de humedad<sup>1</sup>

E = pintura epoxi

### Último carácter - Opción

H = Sensores de temperatura de ciclo auxiliar<sup>1</sup>

<sup>1</sup>Estas opciones agregan a la bomba un cordón de 2-cables o 4-cables y necesitan circuitos de paneles de control opcional para funcionar. Vea las opciones de panel en el boletín BCP5 de panel de control.

Verifique la tensión y la corriente y anote los datos en la sección delantera de este manual para referencia futura. Compare las lecturas de amperaje con el amperaje máximo indicado en la placa de identificación de la bomba. Si es más alto que el amperaje de la placa de identificación, investigue la causa. Si la bomba se hace funcionar fuera de la curva; es decir, con demasiado poca carga o con tensión alta o baja, aumentará el amperaje. El motor funcionará correctamente con tensión no más de un 10% por encima o por debajo de las clasificaciones en la placa de identificación de la bomba. El rendimiento dentro de este rango no será necesariamente igual al rendimiento publicado a la frecuencia y tensión exactas indicadas en la placa de identificación. Corrija el problema antes de continuar. También es posible que la causa sea un desbalance trifásico. Consulte la sección de *Desbalance de potencia trifásica* y siga las instrucciones.

Reposicione el circuito de alarma, coloque el (los) interruptor(es) de la bomba en posición automática y el interruptor de control en la posición de encendido. Ahora la unidad está lista para la operación automática.

Explique la operación de las bombas, controles y alarmas al usuario final. Entregue la documentación al propietario o déjela en un lugar seco y seguro en el panel de control.

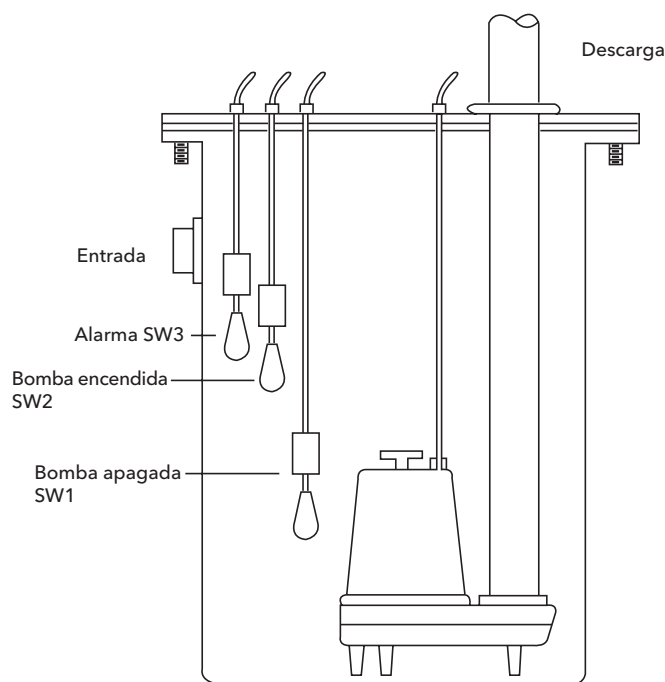
## TABLA DEL PANEL E INTERRUPTORES DE FLOTADOR

El propósito de esta tabla es mostrar las cantidades de interruptores requeridas y la función de cada interruptor en un sistema de aguas residuales típicas. Las cantidades requeridas varían dependiendo del tipo de interruptor: de acción simple o de ángulo amplio. Las cantidades de interruptores varían también de acuerdo con el tipo de panel: simple con y sin alarmas y doble con alarmas.

### Paneles dobles utilizando interruptores de acción simple:

#### Cableado del panel de tres flotadores

SW1	Fondo	Bombas apagadas
SW2	Medio	Primera bomba del medio encendida
SW3	Extremo superior	Segunda bomba y alarma encendidas



Simple ①

### Cableado del panel de cuatro flotadores ②

SW1	Fondo	Bombas apagadas
SW2	Segundo	Primera bomba encendida
SW3	Tercero	Segunda bomba encendida
SW4	Extremo superior	Alarma encendida

### Paneles dobles utilizando interruptores de ángulo amplio:

#### Cableado del panel de tres flotadores

SW1	Fondo	Primera bomba encendida/ambas apagadas
SW2	Extremo superior	Segunda bomba y alarma encendidas

#### Cableado del panel de cuatro flotadores

SW1	Fondo	Primera bomba encendida/ambas apagadas
SW2	Medio	Segunda bomba encendida
SW3	Extremo superior	Alarma encendida

### Paneles simples utilizando interruptores de acción simple:

#### Panel simple con alarma ①

SW1	Fondo	Bomba apagada
SW2	Medio	Bomba encendida
SW3	Extremo superior	Alarma encendida/apagada

#### Panel simple sin alarma

SW1	Fondo	Bomba apagada
SW2	Extremo superior	Bomba encendida

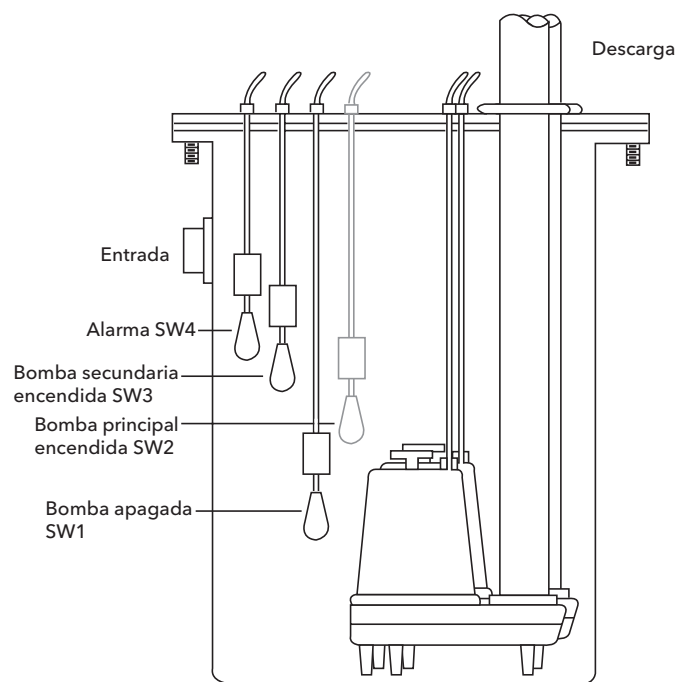
### Paneles simples utilizando interruptores de ángulo amplio:

#### Panel simple con alarma

SW1	Fondo	Bomba encendida/apagada
SW2	Extremo superior	Alarma encendida/apagada

#### Panel simple sin alarma

SW1	Bomba encendida/apagada
-----	-------------------------



Doble ②

## DESBALANCE DE POTENCIA TRIFÁSICA

Se recomienda un suministro trifásico completo incluyendo tres transformadores individuales o un transformador trifásico. Se pueden usar conexiones en estrella o en triángulo "abierto" empleando sólo dos transformadores, pero hay más posibilidad de que produzcan un rendimiento inadecuado, disparo por sobrecarga o falla prematura del motor debido al desbalance de corriente.

Mida la corriente en cada uno de los tres conductores del motor y calcule el desbalance de corriente en la forma que se explica abajo.

Si el desbalance de corriente es del 2% o menos, deje los conductores tal como están conectados. Si el desbalance de corriente es de más del 2%, hay que verificar las lecturas de corriente en cada derivación empleando cada una de las tres conexiones posibles. Enrolle los conductores del motor en el arrancador en la misma dirección para evitar una inversión del motor.

Para calcular el porcentaje de desbalance de corriente:

- Sume los tres valores de corriente de línea.
- Divida la suma por tres, con lo cual se obtiene la corriente promedio.

- Seleccione el valor de corriente más alejado de la corriente promedio (ya sea alto o bajo).
- Determine la diferencia entre este valor de corriente (más alejado del promedio) y el promedio.
- Divida la diferencia por el promedio. Multiplique el resultado por 100 para determinar el porcentaje de desbalance.

El desbalance de corriente no debe exceder el 5% con la carga del factor de servicio o el 10% con la carga de entrada nominal. Si el desbalance no puede corregirse enrollando los conductores, la causa del desbalance debe determinarse y corregirse. Si, en las tres conexiones posibles, la derivación más alejada del promedio está en el mismo conductor de potencia, entonces la mayoría del desbalance proviene de la fuente de potencia.

Contacte a la compañía de electricidad local para solucionar el desbalance.

	Conexión 1			Conexión 2			Conexión 3		
Terminales del arrancador	L1	L2	L3	L1	L2	L3	L1	L2	L3
	$\frac{\perp}{\text{T}}$	$\frac{\perp}{\text{T}}$	$\frac{\perp}{\text{T}}$	$\frac{\perp}{\text{T}}$	$\frac{\perp}{\text{T}}$	$\frac{\perp}{\text{T}}$	$\frac{\perp}{\text{T}}$	$\frac{\perp}{\text{T}}$	$\frac{\perp}{\text{T}}$
Conductores del motor	R	B	W	W	R	B	B	W	R
	T3	T1	T2	T2	T3	T1	T1	T2	T3

### Ejemplo:

$$\begin{aligned} T3-R &= 51 \text{ amps} \\ T1-B &= 46 \text{ amps} \\ T2-W &= \underline{53} \text{ amps} \\ \text{Total} &= 150 \text{ amps} \\ \div 3 &= 50 \text{ amps} \\ - 46 &= 4 \text{ amps} \\ 4 \div 50 &= .08 \text{ or } 8\% \end{aligned}$$

$$\begin{aligned} T2-W &= 50 \text{ amps} \\ T3-R &= 48 \text{ amps} \\ T1-B &= \underline{52} \text{ amps} \\ \text{Total} &= 150 \text{ amps} \\ \div 3 &= 50 \text{ amps} \\ - 48 &= 2 \text{ amps} \\ 2 \div 50 &= .04 \text{ or } 4\% \end{aligned}$$

$$\begin{aligned} T1-B &= 50 \text{ amps} \\ T2-W &= 49 \text{ amps} \\ T3-R &= \underline{51} \text{ amps} \\ \text{Total} &= 150 \text{ amps} \\ \div 3 &= 50 \text{ amps} \\ - 49 &= 1 \text{ amps} \\ 1 \div 50 &= .02 \text{ or } 2\% \end{aligned}$$

## LECTURAS DE RESISTENCIA DEL AISLAMIENTO

### Valores normales en ohmios y megaohmios entre todos los conductores y tierra

Condición del motor y los conductores	Valor en ohmios	Valor en Megaohmios
Un motor nuevo (sin cable de bajada).	20,000,000 (o más)	20 (o más)
Un motor usado que puede reinstalarse en el pozo.	10,000,000 (o más)	10 (o más)
<b>Motor en el pozo. Las lecturas son para el cable de bajada más el motor.</b>		
Motor nuevo.	2,000,000 (o más)	2 (o más)
El motor está en buenas condiciones.	500,000 - 2,000,000	.5 - 2
Daño de aislamiento, localícelo y repárelo.	Menos de 500,000	Menos de 0.5

La resistencia del aislamiento varía muy poco con la clasificación. Los motores de todas las clasificaciones de potencia, tensión y fase tienen valores similares de resistencia de aislamiento.

Los valores de resistencia de aislamiento anteriores están basados en lecturas obtenidas con un megaohmiómetro con salida de 500 V CC. Las lecturas pueden variar utilizando un ohmiómetro de tensión más baja; consulte con la fábrica si tiene dudas acerca de las lecturas.

Esta tabla se reimprimió como cortesía de Franklin Electric.



## DATOS DE INGENIERÍA

Los datos de ingeniería para modelos específicos pueden encontrarse en su catálogo y en nuestro sitio Web (dirección en la cubierta).

LINEAMIENTOS DEL FUNCIONAMIENTO DE LA BOMBA			
<b>Sumersión mínima</b>		<b>Temperatura máxima del fluido</b>	
Servicio continuo	Sumergida totalmente	Operación continua	104° F 40° C
Servicio intermitente	6 pulg. por debajo del extremo superior del motor	Operación intermitente	140° F 60° C

## PANELES DE CONTROL MONOFÁSICOS RECOMENDADOS

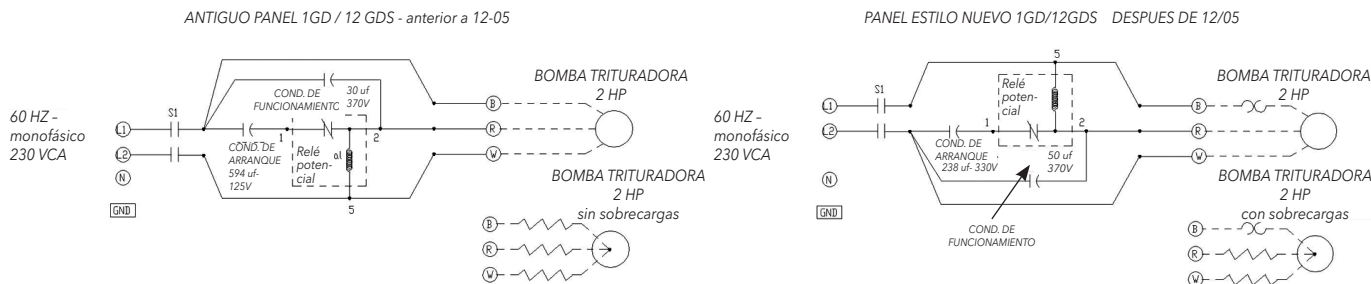
**En vigencia con los códigos de fecha (M05) de diciembre de 2005 - Las bombas 1GD monofásicas contienen una sobrecarga de reajuste automático incorporada.**

**Notas y requisitos importantes del panel de control:**

- 1) Vea el boletín BCP5 para panel y conocer otras opciones disponibles.
- 2) Estas bombas necesitan un conector magnético, condensadores de arranque y funcionamiento y un relé de arranque en el panel de control.
- 3) Los equipos de Condensador CP-1GDB con relés de arranque se encuentran disponibles en el boletín de productos BCPCAP. Son para talleres de paneles autorizados para "incorporar" a un panel del cliente. La instalación en terreno de los equipos de condensadores a una unidad S10020 o D10020 invalidarán las certificaciones UL en ese panel y por lo tanto no están autorizadas.

N° de orden de la bomba	Circuito de falla de sello de la bomba	Tensión/fase	Panel de control recomendado	
			Simple	Doble
1GD51G1A-	NO	230 / 1	S1GD2	D1GD2
1GD51G8A-	NO	208 / 1	S1GD2	D1GD2
1GD51G1A-S	SÍ	230 / 1	S1GD2H	D1GD2J
1GD51G8A-S	SÍ	208 / 1	S1GD2H	D1GD2J

## DIAGRAMAS ELÉCTRICOS DEL CONDENSADOR DEL PANEL



## CONEXIONES E INSTALACIÓN TÍPICA

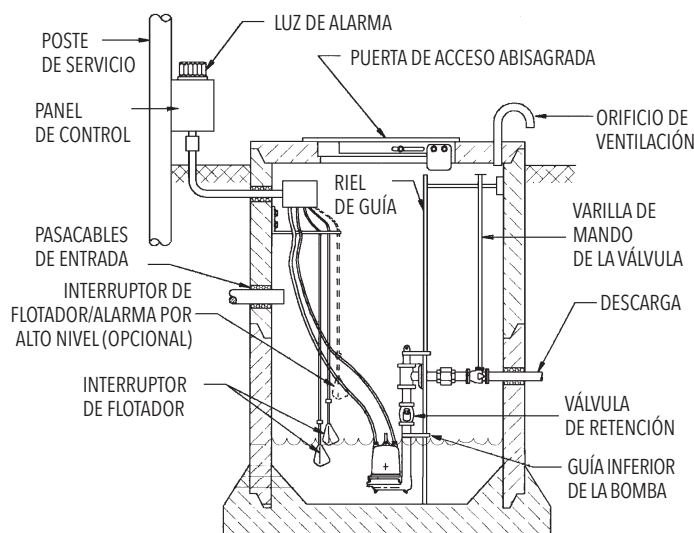


Fig. 1

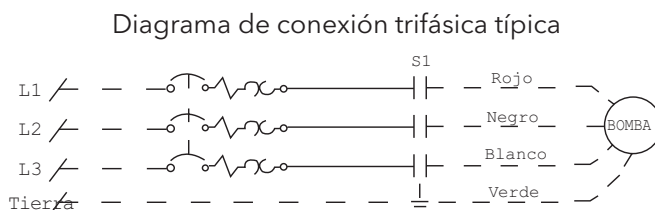


Fig. 2

## IDENTIFICACIÓN Y RESOLUCIÓN DE PROBLEMAS



### LA FALLA DE DESCONECTAR Y BLOQUEAR LA CORRIENTE ELÉCTRICA ANTES DE INTENTAR CUALQUIER SERVICIO, PUEDE CAUSAR ELECTROCHOQUE, QUEMADURAS O LA MUERTE.

SÍNTOMA	CAUSA PROBABLE	ACCIÓN RECOMENDADA
EL MOTOR NO ESTÁ FUNCIONANDO	Se disparó el protector térmico del motor	Deje que se enfríe el motor. Asegure la sumersión mínima de la bomba. Limpie los residuos de la carcasa y el impulsor.
<b>NOTA:</b> Si el cortacircuitos se "ABRE" repetidamente, <b>NO</b> lo reposicione. Llame a un electricista calificado.	Cortacircuitos abierto o fusible quemado.	Determine la causa, llame a un electricista calificado.
a) Operación manual	Impulsor de la bomba rozando o atascado. El cable de alimentación está dañado. Conexiones eléctricas inadecuadas en el panel de control.	Determine el consumo de corriente del motor. Si es dos veces más alto que el indicado en la placa de identificación de la bomba, el impulsor está trabado, los cojinetes del motor o el eje está dañado. Limpie los residuos de la carcasa y el impulsor, consulte con el agente.
b) Operación automática	No hay alambre neutro conectado al panel de control. Conexiones eléctricas inadecuadas en el panel de control. Interruptor de nivel de líquido defectuoso para activar los controles.	La resistencia entre los conductores de alimentación y tierra debe indicar infinito. Si alguna lectura es incorrecta, llame a un electricista calificado. Inspeccione las conexiones del panel de control. Llame a un electricista calificado.
<b>NOTA:</b> Inspeccione la bomba en modo manual primero para confirmar el funcionamiento. Si la bomba funciona, el control automático o el cableado está defectuoso. Si la bomba no funciona, vea arriba.	Interruptor de nivel de líquido defectuoso para activar los controles. Nivel de líquido insuficiente para activar los controles. Cordones de los sensores de nivel de líquido enredados.	Con el interruptor desconectado, verifique la continuidad mientras activa el interruptor de nivel de líquido. Reemplace el interruptor, según se requiera. Deje que el nivel de líquido aumente de 3 a 4 pulgadas (76 mm - 101 mm) sobre el nivel de activación. Desenrede los cordones y asegure el funcionamiento libre.
LA BOMBA NO SE APAGA	Cordones de los sensores de nivel de líquido enredados. La bomba está atascada con aire.	Desenrede los cordones y asegure el funcionamiento libre. Apague la bomba durante aproximadamente un minuto y arránquela nuevamente. Repita hasta que se despeje la obstrucción de aire. Si la obstrucción de aire persiste en un sistema con tubo con válvula de retención, puede perforarse un agujero de 3/16 pulg. (4.8 mm) en el tubo de descarga aproximadamente a 2 pulgadas (51 mm) de la conexión de descarga.
	El flujo de líquido entrante coincide con la capacidad de descarga de la bomba.	Podría requerirse una bomba más grande.
LA BOMBA ENTREGA POCO O NADA DE LÍQUIDO	La válvula de retención está instalada invertida, está obstruida o atascada en posición cerrada. Carga excesiva del sistema. Entrada a la bomba obstruida. Tensión incorrecta, o conectada incorrectamente. La bomba está atascada con aire. El impulsor está gastado o dañado.	Verifique la flecha de flujo en la válvula y verifique el funcionamiento de ésta. Consulte con el agente. Inspeccione y despeje, según sea requerido. Verifique la rotación, la tensión y las conexiones de la bomba. Consulte con un electricista calificado. Consulte la acción recomendada, arriba.
	Los controles de nivel de líquido están defectuosos o instalados incorrectamente.	Inspeccione el impulsor, reemplácelo según sea necesario.
		Inspeccione, reajuste o reemplace, según sea requerido.
LA BOMBA CICLA CONSTANTEMENTE	La válvula de retención de la descarga no funciona. El área de contención de aguas negras es demasiado pequeña. Los controles de nivel de líquido están defectuosos o instalados incorrectamente. Cantidad excesiva de líquido entrante para una bomba de este tamaño.	Inspeccione, repare o reemplace, según sea requerido. Consulte con el agente. Inspeccione, reajuste o reemplace, según sea requerido. Consulte con el agente.



## GARANTÍA LIMITADA DEL CONSUMIDOR

Para mercadería vendida para fines personales, familiares o de vivienda, el Vendedor garantiza que la mercadería vendida conforme al presente (a excepción de membranas, sellos, juntas, materiales de elastómero, recubrimientos y otras "piezas de desgaste" o consumibles, que no están bajo garantía salvo que se especifique lo contrario en el presupuesto o formulario de ventas) estarán libres de defectos en los materiales o mano de obra durante un (1) año a partir de la fecha de instalación o dieciocho (18) meses desde el código de fecha del producto, de los anteriores el que ocurra primero, salvo la ley o la documentación del producto (la "Garantía") especifiquen un período mayor.

Salvo que la ley establezca lo contrario, el Vendedor debe, según su opción y sin costo para el Comprador, reparar o reemplazar cualquier producto que no cumpla con la Garantía; siempre y cuando el Comprador le avise por escrito al Vendedor de cualquier defecto en el material o mano de obra en un plazo de diez (10) días desde la fecha de la primera manifestación del defecto o incumplimiento. Bajo la opción de reparación o reemplazo, el Vendedor no estará obligado a remover o pagar por la remoción del producto defectuoso, o instalar o pagar por la instalación del producto reemplazado o reparado y el Comprador será responsable de todos los demás costos, que incluyen, entre otros, costos de servicio, tarifas de envío y gastos. El método o el medio de reparación o reemplazo será a total discreción del Vendedor. Si el Comprador no cumple con las instrucciones de reparación o reemplazo del Vendedor, esto rescindirá las obligaciones del Vendedor conforme a la presente Garantía y anulará la misma. Cualquier parte reparada o reemplazada bajo la Garantía está bajo garantía solo por el saldo del período de garantía sobre las partes reparadas y reemplazadas. La Garantía está condicionada a que el Comprador le avise por escrito al Vendedor de cualquier defecto en el material o la mano de obra de la mercadería bajo garantía en un plazo de diez (10) días desde la fecha de la primera manifestación del defecto.

El Vendedor no tendrá obligaciones de garantía hacia el Comprador respecto de cualquier producto o partes de un producto que: (a) hayan sido reparados por terceros que no sean el Vendedor o sin la aprobación escrita del Vendedor; (b) hayan estado sujetos a usos indebidos, aplicaciones indebidas, negligencia, alteraciones, accidentes o daños físicos; (c) hayan sido usados de una manera contraria a las instrucciones del Vendedor para la instalación, operación y mantenimiento; (d) hayan sido dañados por desgaste, corrosión o ataque químico habituales; (e) hayan sido dañados por condiciones anormales, vibración, falta de cebado correcto u operación sin flujo; (f) hayan sido dañados por suministro eléctrico defectuoso o protección eléctrica indebida; o (g) hayan sido dañados por el uso de equipos accesorios no vendidos ni aprobados por el Vendedor. En el caso de productos no fabricados por el Vendedor, no habrá Garantía del Vendedor; sin embargo, el Vendedor transferirá al Comprador toda Garantía recibida del proveedor del Vendedor para dichos productos.

**Política de Goulds Water Technology sobre ventas en línea a clientes.** Los propietarios que utilizan Internet para encontrar información sobre sistemas de agua residenciales, sistemas residenciales de aguas residuales, controles y tanques, pueden descubrir varios sitios que ofrecen oportunidades de compra directa al consumidor. Los sistemas de agua y de aguas residuales residenciales son aplicaciones críticas y su diseño es tal que deben ser instalados por profesionales calificados. Goulds Water Technology posee una extensa red nacional de vendedores y distribuidores, que incluye revendedores autorizados. Para ver una lista completa de vendedores, revendedores y distribuidores autorizados por Goulds Water Technology, consulte nuestro localizador en: <http://goulds.com/sales-service/>

No se ofrece ninguna garantía sobre el equipo de Goulds Water Technology adquirido por medio de Internet y esto incluye las opciones basadas en la red a través de distribuidores minoristas no autorizados. Esta política es necesaria para garantizar que el equipo de Goulds Water Technology se instale de manera adecuada, en cumplimiento con las leyes, reglas y códigos aplicables, de manera que se aborden las preocupaciones de seguridad y el rendimiento apropiado del equipo de Goulds Water Technology.

LA GARANTÍA ANTERIOR SE FORMULA EN LUGAR DE TODA OTRA GARANTÍA EXPRESA. TODAS LAS GARANTÍAS IMPLÍCITAS, INCLUYENDO, ENTRE OTRAS, LAS GARANTÍAS IMPLÍCITAS DE COMERCIABILIDAD Y APTITUD PARA UN FIN EN PARTICULAR, SE LIMITAN A UN (1) AÑO A PARTIR DE LA FECHA DE INSTALACIÓN O DIECIOCHO (18) MESES DESDE EL CÓDIGO DE FECHA DEL PRODUCTO, DE LOS ANTERIORES EL QUE OCURRA PRIMERO. EXCEPTO SEGÚN LO DISPUESTO POR LA LEY EN SENTIDO CONTRARIO, EL RECURSO EXCLUSIVO DEL COMPRADOR Y LA RESPONSABILIDAD TOTAL DEL VENDEDOR POR INCUMPLIMIENTO DE CUALQUIERA DE LAS ANTERIORES GARANTÍAS SE LIMITAN A REPARAR O REEMPLAZAR EL PRODUCTO Y EN TODOS LOS CASOS SE LIMITARÁN AL MONTO PAGADO POR EL COMPRADOR POR EL PRODUCTO DEFECTUOSO. EN NINGÚN CASO EL VENDEDOR SERÁ RESPONSABLE DE CUALQUIER OTRO TIPO DE DAÑOS Y PERJUICIOS, YA SEAN DIRECTOS, INDIRECTOS, LIQUIDADOS, INCIDENTALS, CONSECUENTES, PUNITIVOS, EJEMPLARES O ESPECIALES, LOS QUE INCLUYEN, A TÍTULO ENUNCIATIVO Y NO LIMITATIVO, LUCRO CESANTE, PÉRDIDA DE AHORROS O INGRESOS ANTICIPADOS, PÉRDIDA DE INGRESOS, PÉRDIDA DE NEGOCIOS, PÉRDIDA DE PRODUCCIÓN, PÉRDIDA DE OPORTUNIDADES O PÉRDIDA DE REPUTACIÓN.

Algunos estados no permiten limitaciones sobre la extensión de una garantía implícita, por lo que las limitaciones anteriores pueden no corresponder para usted. Algunos estados no permiten la exclusión o limitación de daños y perjuicios incidentales o consecuentes, por lo que las exclusiones anteriores pueden no corresponder para usted. La presente garantía le otorga derechos legales específicos, y usted también puede tener otros derechos que pueden variar dependiendo del estado.

Para realizar un reclamo de garantía, primero verifique con el representante a quien le compró el producto o visite [xxx.xylem.com](http://xxx.xylem.com) para buscar el nombre y ubicación del representante más cercano que ofrezca servicio de garantía.



Xylem Inc.  
2881 East Bayard Street Ext., Suite A  
Seneca Falls, NY 13148  
Teléfono: (866) 325-4210  
Fax: (888) 322-5877  
[www.xylem.com/goulds](http://www.xylem.com/goulds)

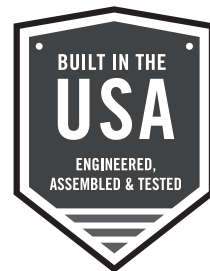
Goulds es una marca registrada de Goulds Pumps, Inc. y se utiliza bajo licencia.  
© 2019 Xylem Inc. IM039 Revisión Número 8 Marzo 2019

**AVERTISSEMENT** À compter de décembre 2005 (code de date M05), d'importants changements ont été apportés aux moteurs monophasés (1 Ø), qui possèdent maintenant un limiteur de surcharge intégré dans l'enroulement et nécessitent des condensateurs de démarrage et de marche différents de ceux des tableaux de commande des anciens moteurs. Lire les informations sur le câblage des tableaux et les condensateurs requis pour les nouvelles pompes branchées aux anciens tableaux.

# Pompes dilacératrices (broyeuses)

monophasées et triphasées à orifice de refoulement de 1 ¼ po

**MANUEL D'INSTALLATION, D'UTILISATION ET DE DÉPANNAGE**



## Informations pour le propriétaire

N° de modèle de la pompe: \_\_\_\_\_

N° de série de la pompe: \_\_\_\_\_

Choix de pompes (v. Codification...):

• Capteur d'humidité (garniture) \_\_\_\_\_

• Capteur de chaleur (commande) \_\_\_\_\_

N° de modèle du tableau de commande: \_\_\_\_\_

Détaillant: \_\_\_\_\_

N° de téléphone du détaillant: \_\_\_\_\_

Date d'achat: \_\_\_\_\_ d'installation: \_\_\_\_\_

Courant mesuré au démarrage:

<b>1Ø</b>	<b>3Ø</b>	L1-2	L2-3	L3-1
A: _____	A: _____	_____	_____	_____
V: _____	V: _____	_____	_____	_____

## Table des matières

<b>SUJET</b>	<b>PAGE</b>
Consignes de sécurité .....	27
Vérifications avant installation .....	27
Levage de la pompe .....	28
Système de levage optionnel à rail de guidage et à pied d'assise coudé .....	28
Tuyauterie .....	28
Câblage et mise à la terre .....	28
Sélection et câblage des contacteurs et des tableaux de commande.....	28
Installation.....	30
Mise en marche.....	30
Codification du numéro de pompe.....	30
Tableaux de commande et fonction des contacteurs à flotteur.....	31
Déséquilibre du courant triphasé.....	32
Valeurs de résistance d'isolement du moteur .....	32
Données techniques .....	33
Tableaux de commande monophasés recommandés.....	33
Câblage des condensateurs du tableau de commande.....	33
Installation et câblage types .....	33
Diagnostic des anomalies.....	34
Garantie limitée.....	36



## CONSIGNES DE SÉCURITÉ

**AFIN DE PRÉVENIR LES BLESSURES GRAVES OU MORTELLES ET LES DOMMAGES MATÉRIELS IMPORTANTS, LIRE ET SUIVRE TOUTES LES CONSIGNES DE SÉCURITÉ FIGURANT DANS LE MANUEL ET SUR LA POMPE.**

**LE PRÉSENT MANUEL A POUR BUT DE FACILITER L'INSTALLATION ET L'UTILISATION DE LA POMPE ET DOIT ÊTRE CONSERVÉ PRÈS D'ELLE.**



Le symbole ci-contre est un SYMBOLE DE SÉCURITÉ employé pour signaler les mots-indicateurs dont on trouvera la description ci-dessous. Sa présence sert à attirer l'attention afin d'éviter les blessures et les dommages matériels.



**DANGER** Prévient des risques qui **VONT** causer des blessures graves, la mort ou des dommages matériels importants.



**AVERTISSEMENT** Prévient des risques qui **PEUVENT** causer des blessures graves, la mort ou des dommages matériels importants.



**ATTENTION** Prévient des risques qui **PEUVENT** causer des blessures ou des dommages matériels.

**AVIS : SERT À ÉNONCER LES DIRECTIVES SPÉCIALES DE GRANDE IMPORTANCE QUE L'ON DOIT SUIVRE.**

**LIRE SOIGNEUSEMENT CHAQUE DIRECTIVE ET AVERTISSEMENT AVANT D'EFFECTUER TOUT TRAVAIL SUR LA POMPE.**

**N'ENLEVER AUCUNE DÉCALCOMANIE DE SÉCURITÉ.**



**AVERTISSEMENT** Ce produit peut vous exposer à des produits chimiques, incluant le plomb, reconnus par l'État de la Californie comme pouvant être cancérigènes, causer des anomalies congénitales ou d'autres problèmes de reproduction. Pour plus d'informations : [www.P65Warnings.ca.gov](http://www.P65Warnings.ca.gov).



**AVERTISSEMENT** L'installation électrique doit être entièrement effectuée par un technicien qualifié. Il faut toujours suivre les prescriptions du code provincial ou national de l'électricité et les règlements locaux. Adresser toute question relative au code à un inspecteur en électricité. Le non-respect du code et des politiques de santé et de sécurité au travail peut entraîner des blessures et des dommages matériels. L'inobservation des directives d'installation fournies par le fabricant peut se traduire par un choc électrique, un incendie, des blessures ou la mort, ainsi que par des dommages matériels, des performances non satisfaisantes et l'annulation de la garantie du fabricant.



**AVERTISSEMENT** Les pompes standard ne sont pas conçues pour les piscines, l'eau libre, les liquides dangereux ni les endroits pouvant contenir des gaz inflammables. Ces fluides peuvent être présents dans les installations de confinement (puits collecteurs, réservoirs ou fosses humides). On doit aérer ces installations suivant les codes locaux.

Seules les pompes de classe 1, division 1, peuvent servir dans les liquides dangereux et les endroits pouvant contenir des gaz inflammables. *Le nom des organismes de normalisation pertinents figure sur la plaque signalétique*

de la pompe ou dans les feuillets du catalogue décrivant les pompes en question.



**AVERTISSEMENT** Verrouiller la source de courant en position hors circuit avant de procéder à l'installation ou à l'entretien de tout dispositif électrique. Le protecteur thermique de certains moteurs de pompe coupe le courant lorsqu'il y a surcharge thermique et le rétablit automatiquement, redémarrant ainsi la pompe inopinément.



**ATTENTION** Chaque tableau de commande triphasé pour pompe submersible doit assurer une protection rapide de classe 10 contre la surcharge.

### VÉRIFICATIONS AVANT INSTALLATION

Ouvrir tous les cartons et vérifier si le matériel est endommagé. Signaler immédiatement tout dommage au fournisseur ou au transporteur.

**Important** : on doit toujours vérifier si les valeurs nominales inscrites sur la plaque signalétique (intensité, tension, puissance et nombre de phases) conviennent au tableau de commande et à la source de courant.

Le compartiment moteur d'un bon nombre de nos pompes à eaux d'égout est rempli d'huile isolante. S'il y a des traces d'huile sur la pompe ou si cette dernière a été entreposée longtemps, vérifier le niveau d'huile du logement de garniture, si la pompe en est dotée, et celui du compartiment.

Enlever le bouchon de l'orifice de remplissage du compartiment moteur (sur le dessus de celui-ci), puis vérifier le niveau d'huile par l'orifice. L'huile devrait seulement recouvrir le moteur. Ne pas trop en mettre pour que l'huile puisse se dilater !

Pour vérifier le niveau d'huile du logement de garniture, mettre la pompe sur le côté, le bouchon de remplissage en haut, puis enlever le bouchon. Le niveau de l'huile devrait être à tout au plus 13 mm (½ po) du haut. Au besoin, utiliser de l'huile pour turbines ASTM 150, puis remettre le bouchon.

On peut se procurer de l'huile isolante en contenants de 5 gallons US chez nos distributeurs. On peut aussi en acheter chez un réparateur de moteurs électriques. Les marques d'huiles types sont : Shell Turbo 32, Sunoco Sunvis 932, Texaco Regal R&O 32, Exxon Nuto 32 et Mobil DTE Light.

Vérifier si l'écrou presse-garniture du serre-câble d'alimentation est suffisamment serré. Le couple de serrage est de 75 lbf-po pour les câbles de calibre 16 et de 80 lbf-po pour tout autre câble. Il est cependant de 75 lbf-po pour les câbles de capteur de chaleur ou d'humidité.

La garantie ne couvre pas les dommages dus au branchement de la pompe et du tableau de commande à une source de courant dont la tension ou le nombre de phases sont inappropriés.

Apposer sur le manuel l'étiquette additionnelle fournie avec la pompe. Inscire à titre documentaire les numéros de modèle et de série de la pompe et de modèle du tableau de commande dans les Informations pour le propriétaire. Une fois l'installation achevée, attacher le manuel au tableau de commande ou le remettre au propriétaire.

## LEVAGE DE LA POMPE



**NE PAS LEVER, TRANSPORTER NI SUSPENDRE LA POMPE PAR LE CÂBLE D'ALIMENTATION : L'ENDOMMAGEMENT DU CÂBLE POURRAIT CAUSER UN CHOC ÉLECTRIQUE, DES BRÛLURES OU LA MORT.**

Lever la pompe par son boulon à œil ou sa poignée avec un filin ou une chaîne de grosseur appropriée. **NE PAS** endommager le câble d'alimentation ni le câble des capteurs durant la manutention de la pompe.

## SYSTÈME DE LEVAGE OPTIONNEL À RAIL DE GUIDAGE ET À PIED D'ASSISE COUDÉ

Pour bon nombre de cuves à effluents et de postes de relèvement d'eaux d'égout, il est conseillé de monter la pompe sur un rail de guidage conçu pour descendre, retirer, inspecter et entretenir celle-ci facilement. La plupart des codes n'autorisent pas le personnel à entrer dans une fosse humide sans la formation ni l'équipement protecteur appropriés. Le rail permet la descente et le retrait de la pompe sans disjoindre la tuyauterie. Le rail devrait être placé de façon à ce que la pompe soit en face de l'orifice d'arrivée de l'influent pour prévenir la formation de zones de stagnation, donc de dépôts. Le fond du puits collecteur ou de la cuve doit être plat et assez solide pour supporter le poids de la pompe, du rail de guidage et du pied d'assise.

**AVIS:** SUIVRE LES DIRECTIVES FOURNIES AVEC LE RAIL DE GUIDAGE.

## TUYAUTERIE

Afin de réduire les pertes de charge (par frottement) au minimum, la tuyauterie de refoulement devrait être aussi courte que possible et dépourvue d'accessoires et de raccords superflus. Son diamètre devrait être au moins égal à celui de l'orifice de refoulement de la pompe.

Prévenir le retour du liquide : poser un clapet de non-retour sur le tuyau de refoulement. Le retour du liquide peut faire tourner la pompe en sens inverse, provoquant ainsi l'usure prématurée des garnitures mécaniques et des roulements. S'il y a «rotation en sens inverse» au moment du démarrage, le couple accru produit peut abîmer le moteur ou l'arbre de pompe, ou les deux, et même forcer certaines pompes monophasées à continuer à tourner en sens inverse.

Poser en aval (après) du clapet de non-retour un robinet-vanne de calibre approprié pour permettre l'entretien de la pompe, de la tuyauterie et du clapet.

**Important:** avant d'installer la pompe et afin de prévenir la formation de poches d'air dans celle-ci, percer un trou-purgeur d'air de 4,8 mm ( $\frac{3}{16}$  po) dans le tuyau de refoulement, à environ 51 mm (2 po) au-dessus de l'orifice de refoulement de la pompe, mais avant le clapet de non-retour et à l'intérieur de la fosse humide. On permettra ainsi au liquide d'entrer dans la pompe par gravité, surtout si l'orifice d'aspiration est situé en dessous, et préviendra la formation de poches d'air qui empêcheraient le pompage du liquide même si la roue de la pompe tourne.

La tuyauterie doit être supportée correctement pour n'appliquer sur la pompe aucune charge pouvant la déformer.

Couvercles et trappes de visite doivent être assez grands pour permettre l'inspection et l'entretien de la pompe ainsi que l'emploi d'un dispositif de levage.

## CÂBLAGE ET MISE À LA TERRE

*Avis important: lire les Consignes de sécurité avant de procéder au câblage.*

- ⚠ N'utiliser que du fil torsadé en cuivre pour la mise à la terre et l'alimentation du moteur. Le calibre du fil de terre doit être au moins égal à celui des fils d'alimentation du moteur, et les fils devraient tous être chromocodés pour faciliter l'entretien et le diagnostic des anomalies.
- ⚠ Poser le fil de terre et les autres fils suivant les prescriptions du code provincial ou national de l'électricité et les règlements locaux.
- ⚠ Installer un sectionneur tout conducteur si le code l'exige.
- ⚠ Verrouiller la source de courant en position hors circuit avant de procéder à l'installation ou à l'entretien de la pompe.
- ⚠ Le nombre de phases et la tension d'alimentation doivent convenir à tout l'équipement. Un nombre de phases et une tension inappropriés annulent la garantie et peuvent causer un incendie et des dommages au moteur et au tableau de commande.
- ⚠ Chaque jonction de fils doit être étanche. Si l'on emploie un nécessaire de jonction (« kit »), suivre les directives du fabricant.



Choisir la boîte de jonction du type et de la classe NEMA convenant au type et au lieu d'utilisation. La boîte doit assurer une jonction de fils sûre et étanche.



Étancher les commandes afin d'empêcher les gaz d'en détériorer les composants.



**OMETTRE LA MISE À LA TERRE PERMANENTE DE LA POMPE, DU MOTEUR ET DES COMMANDES AVANT LE BRANCHEMENT À LA SOURCE DE COURANT PEUT CAUSER UN CHOC ÉLECTRIQUE, DES BRÛLURES OU LA MORT.**

**SI LE CORDON DE LA POMPE N'A PAS DE FICHE, NE PAS ENLEVER LE CORDON NI LE SERRE-CÂBLE NI CONNECTER DE CONDUIT À LA POMPE.**

## SÉLECTION ET CÂBLAGE DES CONTACTEURS ET DES TABLEAUX DE COMMANDE

**Les schémas de câblage des tableaux de commande viennent avec les tableaux. Se servir des schémas et du présent manuel pour le câblage.**

**Informations importantes à lire avant l'installation**

**Changements apportés aux moteurs monophasés – pour nouveaux moteurs branchés à d'anciens tableaux**

Limiteur de surcharge et condensateurs – Le moteur de 1 Ø des pompes fabriquées à partir de décembre 2005 (code M05) est doté d'un limiteur de surcharge intégré dans l'enroulement. Si l'on remplace une pompe fabriquée avant cette date (code L05 ou antérieur), on doit changer les condensateurs de l'ancien tableau de commande.

Câble de capteur de chaleur et de limiteur de surcharge – Les pompes fabriquées avant décembre 2005 possèdent un câble de capteur de chaleur (circuit de commande) les reliant au limiteur de surcharge du tableau de commande. Pour qu'une nouvelle pompe fonctionne sans ennui avec un ancien tableau, il faut joindre les bornes du capteur et du limiteur avec un fil volant.

Les pompes monophasées standard n'ont plus de câble de capteur de chaleur (circuit de commande), offert maintenant en option, ainsi que le câble et le capteur d'humidité (défaillance de garniture). Consulter les données sur le numéro de pompe et sa codification dans le manuel pour déterminer quels éléments optionnels viennent avec la pompe à installer.

## EXIGENCES RELATIVES AUX TABLEAUX DE COMMANDE

### Tableaux de commande monophasés – en vigueur en décembre 2005 (code M05)

Les pompes dilacératrices monophasées des séries 1GD et 12GDS nécessitent un tableau de commande muni d'au moins:

- un contacteur magnétique;
- un condensateur de démarrage;
- un condensateur de marche;
- un relais de démarrage;
- un bornier de connexion pour source externe.

Voir **Tableaux de commande monophasés recommandés.**

### Condensateurs et relais de démarrage

Description	CP1GDB pour nouvelle pompe	Pièce pour ancienne pompe
Cond. de démarr.	216 à 259 µF à 330 V ca.	RB-61 (594 µF à 125 V ca.)
Cond. de marche	50 µF à 370 V ca.	RB-62 (30 µF à 370 V ca.)
Relais de démarr.	9K458 (RVA2ALKL)	9K458 ou RB-60 (155031 102)

### Tableaux de commande triphasés

Les pompes dilacératrices triphasées des séries 1GD et 12GDS exigent un tableau de commande muni d'au moins:

- un disjoncteur tripolaire;
- un démarreur magnétique à limiteurs de surcharge de classe 10 compensés en fonction des conditions ambiantes;
- un transformateur fournissant 115 V ou 24 V pour l'alimentation du circuit de commande;
- un bornier pour tout raccordement externe.

### ÉLÉMENTS EN OPTION RECOMMANDÉS POUR POMPES ET TABLEAUX DE COMMANDE

Les éléments suivants sont recommandés:

- un circuit de détection des défaillances de garniture avec relais et avertisseur, monté dans le tableau de commande et utilisable seulement avec les pompes munies d'un capteur d'humidité;
- un circuit d'alarme niveau haut;
- un avertisseur niveau haut, visuel ou (et) sonore.

Nos «tableaux de commande pour pompes dilacératrices monophasées» simples ou doubles (voir la liste de prix) sont munis de condensateurs, d'un relais de démarrage et de bornes de connexion.

Pour les tableaux de commande achetés localement, nous vendons un jeu de condensateurs adaptable par les ateliers de montage spécialisés. *Nota:* le jeu inclut le relais de démarrage, mais ne constitue pas un élément complémentaire à monter sur place. Son intégration dans les tableaux de commande est un travail pour ateliers de montage de tableaux homologués CSA ou UL. Pour des motifs de responsabilité, de sécurité des installateurs et d'homologation par des organismes de normalisation, les techniciens de notre service à la clientèle (*Customer Service*) ne peuvent aider quiconque à modifier sur place un tableau de commande standard avec le jeu de condensateurs précité. Nous espérons que nos clients comprendront et respecteront notre point de vue à cet égard. Les «tableaux de commande recommandés» sont décrits dans le catalogue de produits pertinent et dans le site Web mentionné en page couverture du présent manuel.

### Capteur de chaleur du moteur

Le moteur des pompes monophasées 1GD et 12GDS peut être muni d'un capteur de chaleur intégré, offert en option. Une fois relié correctement au tableau de commande, le capteur déclenchera la mise hors tension du circuit alimentant la bobine du contacteur, donc l'arrêt du moteur, quand la température de celui-ci atteindra 135°C (275°F); il remettra le circuit sous tension et redémarrera le moteur lorsque la température baissera à 78°C (112°F).

### Capteur d'humidité (détection des défaillances de garniture)

La 12GDS possède un capteur d'humidité, offert en option pour la 1GD. Le capteur est situé dans la chambre d'étanchéité et y détecte la présence d'humidité. Une fois branché au relais et à l'avertisseur du circuit de détection des défaillances de garniture (en option), dans le tableau de commande, le capteur signalera les besoins d'entretien de la garniture mécanique inférieure. **Le circuit de détection n'est pas vendu séparément. On doit le commander comme élément optionnel du tableau de commande.**

### TYPES DE CONTACTEURS À FLOTTEUR

Deux types de contacteurs à flotteur sont normalement utilisés : à simple effet ou à grand déplacement angulaire. Le type détermine le nombre de contacteurs requis avec les différents systèmes et tableaux de commande. Les contacteurs à simple effet fonctionnent dans un angle de 15° et s'ouvrent et se ferment donc rapidement. La longueur du câble (la distance entre le point pivot du câble et le boîtier du contacteur) des contacteurs à grand déplacement angulaire (90°) régit les niveaux démarrage-arrêt de la pompe.

Les contacteurs à flotteur peuvent être du type normalement ouvert (NO) pour le vidage (fosses ou réservoirs) et du type normalement fermé (NF) pour le remplissage.

Les contacteurs ne doivent être connectés qu'aux tableaux de commande, jamais directement aux pompes.

### RÉLAGE DES CONTACTEURS À FLOTTEUR

Il n'existe pas de règle absolue pour le réglage des contacteurs à flotteur, lequel peut varier d'une installation à l'autre.

### Règles suggérées:

**Tous les contacteurs à flotteur devraient être placés sous l'orifice d'arrivée de l'influent!**

**Contacteur d'arrêt: (1<sup>er</sup> choix)** – le régler pour que le niveau du liquide soit toujours au-dessus du compartiment moteur; **(2<sup>e</sup> choix)** – le régler pour que le niveau du liquide ne puisse être plus bas que 6 po sous le dessus du compartiment moteur.

**Contacteur de démarrage:** le régler pour que la plage de pompage permette aux pompes de 2 hp et plus de fonctionner durant au moins deux (2) minutes. Le catalogue donne la capacité de chaque cuve en gallons US par pouce de hauteur.

**Contacteur(s) d'alarme et de pompe secondaire:** s'il n'y en a qu'un, le placer plus haut que les contacteurs d'arrêt et de démarrage, et, s'il y en a deux, on devrait en outre les décaler (v. les illustrations dans la section *Tableaux de commande et fonction des contacteurs à flotteur*). Essayer d'utiliser tout l'espace de stockage disponible de la cuve, mais prévoir un espace de réserve.

### SCHÉMAS DE CÂBLAGE DES TABLEAUX DE COMMANDE

Des directives et des schémas de câblage sont fournis avec nos tableaux de commande. Utiliser les directives en question conjointement avec celles du présent manuel. L'installation électrique ne doit être effectuée que par des techniciens qualifiés. Adresser toute question relative aux autres marques de tableau de commande au fournisseur ou au fabricant de ces marques. Notre personnel technique ne dispose pas des schémas ni des informations de dépannage des autres marques.

### DISPOSITIFS D'ALARME

Il est recommandé de poser un dispositif d'alarme dans toute installation à pompe(s) à eaux usées. De nombreux tableaux de commande standard en sont munis. S'il n'y a pas de tableau de commande, on peut employer un dispositif d'alarme niveau haut, autonome, qui se déclenche si le liquide atteint un niveau trop élevé, avertissant ainsi le personnel d'entretien, qui apportera alors les correctifs appropriés.

### CODIFICATION DU NUMÉRO DE POMPE

**3<sup>es</sup> caractères: refoulement • pompe • garniture mécanique**  
1GD = orifice de 1¼ po • dilacératrice • double

**4<sup>e</sup> caractère: matériaux des garnitures mécaniques**  
5 = garn. infér.: carbure de silicium, carbure de silicium, buna; garn. supér. (standard): carbone, céramique, buna  
3 = garn. infér.: carbure de silicium, carbure de tungstène, buna; garn. supér. (en option): carbone, céramique, buna

**5<sup>e</sup> caractère: fréquence de courant • vitesse de rotation**  
1 = 60 Hz • 3 500 r/min  
5 = 50 Hz • 2 900 r/min

**6<sup>e</sup> caractère: puissance**  
G = 2 hp

**7<sup>e</sup> caractère: nombre de phases • tension**  
1 = 1 Ø • 230 V  
2 = 3 Ø • 200 V  
3 = 3 Ø • 230 V  
4 = 3 Ø • 460 V  
5 = 3 Ø • 575 V  
6 = 3 Ø • 380 V  
8 = 1 Ø • 208 V  
30

### INSTALLATION

Fixer à la ou aux pompes le raccord rapide pour le rail de guidage, l'adaptateur coulissant ou la tuyauterie de refoulement. Le pied d'assise du rail devrait être assujéti au fond de la fosse humide par des boulons d'ancrage.

Effectuer le câblage selon les schémas de câblage des tableaux de commande, les prescriptions du code provincial ou national de l'électricité et les règlements locaux. À ce stade-ci, il est suggéré de vérifier le sens de rotation de l'arbre de moteur ou de la roue.



**ÉVITER LES BLESSURES GRAVES : NE PAS S'INTRODUIRE LES DOIGTS DANS L'ORIFICE D'ASPIRATION DE LA POMPE PENDANT LA VÉRIFICATION DU SENS DE ROTATION.**

On doit toujours vérifier si la pompe tourne dans le sens indiqué sur le corps de pompe, ce qui est plus facile à faire avant l'installation de la pompe. Les

moteurs triphasés peuvent tourner dans les deux sens. Il est donc permis de les mettre en marche, puis de les arrêter immédiatement tout en observant le sens de rotation. Pour inverser celui-ci, intervertir deux des fils d'alimentation du moteur.

Descendre la ou les pompes dans la fosse humide.

S'assurer que les contacteurs à flotteur peuvent bouger librement, mais sans pouvoir atteindre la tuyauterie.

### MISE EN MARCHÉ

Une fois le raccordement de la tuyauterie achevé et vérifié, on peut mettre la ou les pompes en marche.

**Vérification du fonctionnement du tableau de commande** – remplir d'eau la fosse humide.

Essayer d'abord la pompe en mode manuel en plaçant le commutateur «*Hand-Off-Auto*» (manuel-arrêt-automatique) du tableau de commande à *Hand*. Si la pompe fonctionne bien, l'essayer en mode automatique. Si le débit de la pompe est faible ou nul, il y a probablement une poche d'air dans la pompe. Percer alors un trou-purgeur d'air selon les indications de la section *Tuyauterie*.

**8<sup>e</sup> caractère: diamètre de roue**

A = 5½ po (standard)      C = 4¾ po  
B = 5¼ po      D = 4¼ po

**9<sup>e</sup> caractère: cordon d'alimentation et câble de capteur**

A = 20 pi (standard)      F = 50 pi  
D = 30 pi      J = 100 pi

**10<sup>e</sup> caractère: élément et matériau en option**

S = circuit de détection de l'humidité (défaillance de garniture)<sup>1</sup>  
E = peinture époxy

**11<sup>e</sup> (dernier) caractère: élément en option**

H = capteur de chaleur (circuit de commande)<sup>1</sup>

<sup>1</sup> Éléments optionnels ajoutant à la pompe un câble de capteur à 2 ou à 4 fils et requérant la pose de circuits (en option) dans le tableau de commande pour fonctionner. Voir les éléments en option dans le bulletin BCP5 sur les tableaux de commande.



Faire fonctionner la pompe en mode automatique (*Auto*) et vérifier minutieusement le fonctionnement des contacteurs de démarrage, d'arrêt et d'alarme en remplissant d'eau la fosse humide. **Important** : s'il s'agit d'un tableau de commande alimenté en courant monophasé de 230 V et que l'on omette d'y brancher le fil neutre de la source de courant, on empêchera le circuit de commande du tableau de fonctionner. Le neutre est nécessaire pour alimenter (115 V) le circuit de commande.

Mesurer l'intensité et la tension du courant au démarrage et les inscrire à titre documentaire dans les Informations pour le propriétaire. Comparer l'intensité mesurée à l'intensité maximale indiquée sur la plaque signalétique de la pompe. Si l'intensité mesurée est supérieure, en chercher la cause. L'utilisation de la pompe hors de sa courbe de performances, c.-à-d. à une hauteur de charge trop faible ou à une tension trop basse ou trop haute, augmentera l'intensité du courant. Le moteur fonctionnera correctement si sa tension d'alimentation se situe dans les limites

suivantes: tension nominale (plaque signalétique)  $\pm 10\%$ . Les performances obtenues dans ces limites ne seront pas forcément identiques à celles de la courbe de performances correspondant aux valeurs de courant nominales inscrites sur la plaque signalétique. Apporter les correctifs nécessaires avant de continuer. Le déséquilibre du courant triphasé peut en outre altérer les performances. *Si c'est le cas, suivre les directives de la section Déséquilibre du courant triphasé.*

Réarmer le dispositif d'alarme, puis mettre la pompe en mode automatique (*Auto*) et le circuit de commande du tableau sous tension (interrupteur «*Control On-Off*» à **On**). Le système est maintenant prêt à fonctionner automatiquement.

Expliquer le fonctionnement de la pompe et des dispositifs de commande et d'alarme à l'utilisateur, puis lui laisser la documentation ou attacher celle-ci au tableau de commande si le tableau est dans un endroit sec, fermé.

### TABLEAUX DE COMMANDE ET FONCTION DES CONTACTEURS À FLOTTEUR

L'objet de la présente section est d'indiquer le nombre de contacteurs à flotteur requis et le rôle de chacun dans les systèmes d'évacuation des eaux usées types. Le nombre varie selon le type de contacteur: à simple effet ou à grand déplacement angulaire, mais aussi selon le type de tableau de commande: pour pompe simple avec ou sans alarme ou pour pompe double avec alarme.

#### Tableaux de commande pour pompe double à contacteurs à simple effet:

##### Trois contacteurs à flotteur

SW1	Inférieur	Pompes hors fonction
SW2	Intermédiaire	1 <sup>re</sup> pompe en fonction
SW3	Supérieur	2 <sup>e</sup> pompe et alarme en fonction

##### Quatre contacteurs à flotteur ②

SW1	Inférieur	Pompes hors fonction
SW2	Deuxième (du bas)	1 <sup>re</sup> pompe en fonction
SW3	Troisième (du bas)	2 <sup>e</sup> pompe en fonction
SW4	Supérieur	Alarme en fonction

#### Tableaux de commande pour pompe double à contacteurs à grand déplacement angulaire:

##### Trois contacteurs à flotteur

SW1	Inférieur	1 <sup>re</sup> pompe en fonction ou les deux hors fonction
SW2	Supérieur	2 <sup>e</sup> pompe et alarme en fonction

##### Quatre contacteurs à flotteur

SW1	Inférieur	1 <sup>re</sup> pompe en fonction ou les deux hors fonction
SW2	Intermédiaire	2 <sup>e</sup> pompe en fonction
SW3	Supérieur	Alarme en fonction

#### Tableaux de commande pour pompe simple à contacteurs à simple effet:

##### Trois contacteurs à flotteur avec alarme ①

SW1	Inférieur	Pompe hors fonction
SW2	Intermédiaire	Pompe en fonction
SW3	Supérieur	Alarme en fonction ou hors fonction

##### Deux contacteurs à flotteur sans alarme

SW1	Inférieur	Pompe hors fonction
SW2	Supérieur	Pompe en fonction

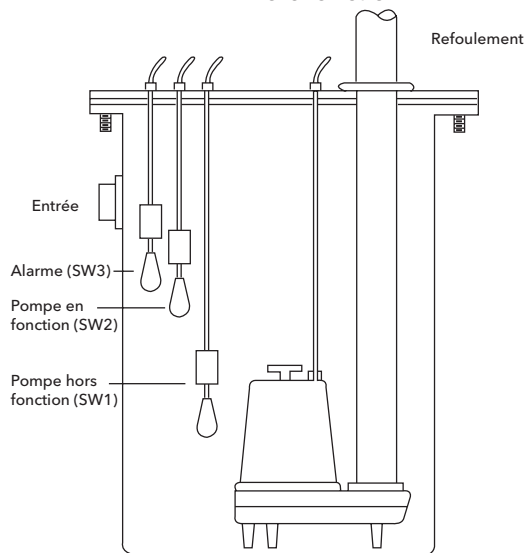
#### Tableaux de commande pour pompe simple à contacteurs à grand déplacement angulaire:

##### Deux contacteurs à flotteur avec alarme

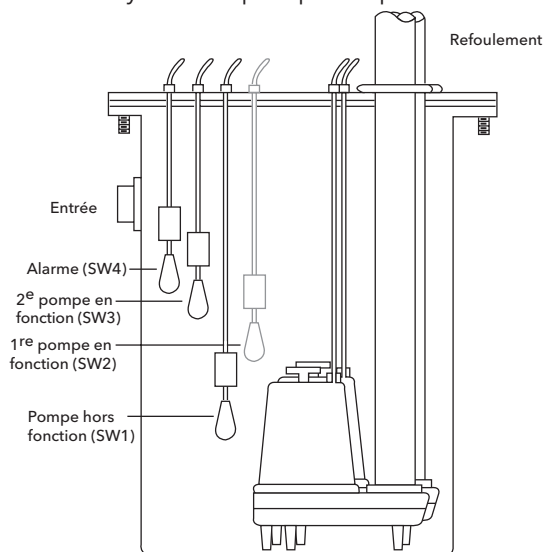
SW1	Inférieur	Pompe en fonction ou hors fonction
SW2	Supérieur	Alarme en fonction ou hors fonction

##### Un contacteur à flotteur sans alarme

SW1	Pompe en fonction ou hors fonction
-----	------------------------------------



Système à pompe simple ①



Système à pompe double ②

## DÉSÉQUILIBRE DU COURANT TRIPHASÉ

Un circuit d'alimentation électrique entièrement triphasé est recommandé. Il peut être constitué de trois transformateurs distincts ou d'un transformateur triphasé. On peut aussi utiliser deux transformateurs montés en étoile ou en triangle «ouverts», mais il est possible qu'un tel montage crée un déséquilibre de courant se traduisant par des performances médiocres, le déclenchement intempestif du limiteur de surcharge et la défaillance prématurée du moteur.

Vérifier l'intensité du courant sur chacun des trois fils de moteur, puis calculer le déséquilibre du courant.

Si le déséquilibre est de 2% ou moins, ne pas changer la connexion des fils.

S'il dépasse 2%, on devrait vérifier l'intensité du courant sur chaque conducteur, dans les trois montages possibles ci-dessous. Afin de maintenir le sens de rotation du moteur, suivre l'ordre numérique indiqué dans chaque montage pour la connexion des fils de moteur.

Pour calculer le pourcentage de déséquilibre du courant:

A. Faire l'addition des trois intensités de courant de ligne mesurées.

- B. Diviser le total par 3 pour obtenir l'intensité moyenne.
- C. Prendre l'écart d'intensité le plus grand par rapport à la moyenne.
- D. Soustraire cet écart de la moyenne.
- E. Diviser la différence par la moyenne, puis multiplier le résultat par 100 pour obtenir le pourcentage de déséquilibre.

Le déséquilibre de courant ne devrait pas excéder 5% en charge avec facteur de surcharge et 10% en charge d'entrée nominale. Si l'on ne peut éliminer le déséquilibre en connectant les fils de moteur dans l'ordre numérique indiqué, on doit en trouver la cause et la rectifier. Si, dans les trois montages, l'écart d'intensité le plus grand par rapport à la moyenne est toujours sur le même conducteur, la cause du déséquilibre vient surtout de la source de courant.

On s'adressera alors à la société d'électricité pour rectifier le déséquilibre de courant.

	1 <sup>er</sup> montage			2 <sup>e</sup> montage			3 <sup>e</sup> montage		
Bornes de démarreur	L1	L2	L3	L1	L2	L3	L1	L2	L3
	⊥	⊥	⊥	⊥	⊥	⊥	⊥	⊥	⊥
Fils de moteur	R	B	W	W	R	B	B	W	R
	T3	T1	T2	T2	T3	T1	T1	T2	T3

### Exemples :

T3-R = 51 A	T2-W = 50 A	T1-B = 50 A
T1-B = 46 A	T3-R = 48 A	T2-W = 49 A
T2-W = <u>53 A</u>	T1-B = <u>52 A</u>	T3-R = <u>51 A</u>
Total = 150 A	Total = 150 A	Total = 150 A
÷ 3 = 50 A	÷ 3 = 50 A	÷ 3 = 50 A
- 46 A = 4 A	- 48 A = 2 A	- 49 A = 1 A
4 ÷ 50 = 0,08 ou 8%	2 ÷ 50 = 0,04 ou 4%	1 ÷ 50 = 0,02 ou 2%

## VALEURS DE RÉSISTANCE D'ISOLEMENT DU MOTEUR

Valeurs normalement mesurées en ohms et en mégohms entre chaque fil et le fil de terre

État du moteur et des fils	Valeurs en ohms	Valeurs en mégohms
Moteur neuf sans câble d'alimentation	20 000 000 (et plus)	20 (et plus)
Moteur usagé réutilisable en fosse	10 000 000 (et plus)	10 (et plus)
<b>Moteur en fosse – valeurs mesurées : câble d'alimentation plus moteur</b>		
Moteur neuf	2 000 000 (et plus)	2 (et plus)
Moteur en bon état	500 000 à 2 000 000	0,5 à 2
Isolation endommagée (la réparer)	Moins de 500 000	Moins de 0,5

La valeur de résistance d'isolement varie très peu d'un moteur à l'autre, peu important la puissance, la tension d'alimentation et le nombre de phases du moteur.

Les valeurs de résistance d'isolement ci-dessus sont tirées de mesures prises avec un mégohmmètre et une tension de sortie de 500 V c.c. Les valeurs mesurées peuvent varier si l'on utilise un ohmmètre avec une tension moindre. Communiquer avec le personnel technique de l'usine en pareil cas.

Cette table a été publiée avec l'aimable autorisation de Franklin Electric.



## DONNÉES TECHNIQUES

On trouvera les données techniques de modèles particuliers dans le catalogue et dans le site Web mentionné en page couverture.

CONDITIONS DE SERVICE DE LA POMPE			
Hauteur d'immersion minimale		Température maximale du liquide	
Service continu	Immersion totale	Service continu	40 °C (104 °F)
Service intermittent	Immersion à 6 po sous le dessus du compartiment moteur	Service intermittent	60 °C (140 °F)

## TABLEAUX DE COMMANDE MONOPHASÉS RECOMMANDÉS

Depuis décembre 2005 (code de date M05), les pompes 1GD monophasées comportent un limiteur de surcharge intégré à réenclenchement automatique.

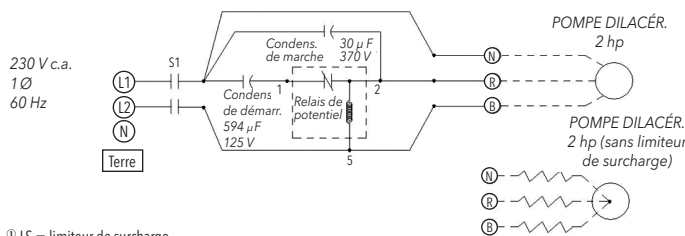
Exigences et notions importantes sur les tableaux de commande :

- 1) Voir les éléments en option dans le bulletin BCP5 sur les tableaux de commande.
- 2) Les quatre pompes précitées requièrent la pose d'un contacteur magnétique, de condensateurs de démarrage et de marche et d'un relais de démarrage dans le tableau de commande.
- 3) Le jeu de condensateurs CP1GDB avec relais de démarrage est offert dans le bulletin BPCAP, mais comme produit à faire « intégrer » dans un tableau de commande personnalisé par un atelier agréé dans le domaine. Le montage sur place du jeu dans un tableau S10020 ou D10020 rendra nulle l'homologation UL du tableau et n'est donc pas autorisé.

Code de pompe	Détection des défauts de garn.	V / Ø	Tableau de comm. recommandé	
			Pompe simple	Pompe double
1GD51G1A-	NON	230 / 1	S1GD2	D1GD2
1GD51G8A-	NON	208 / 1	S1GD2	D1GD2
1GD51G1A-S	OUI	230 / 1	S1GD2H	D1GD2J
1GD51G8A-S	OUI	208 / 1	S1GD2H	D1GD2J

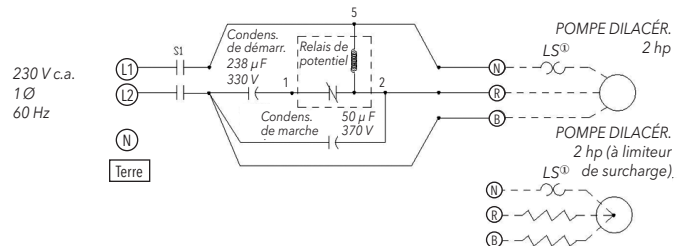
## CÂBLAGE DES CONDENSATEURS DU TABLEAU DE COMMANDE

ANCIEN TABLEAU DES 1GD ET 12GDS (avant déc. 2005)



ⓁS = limiteur de surcharge

NOUVEAU TABLEAU DES 1GD ET 12GDS (depuis déc. 2005)



## INSTALLATION ET CÂBLAGE TYPES

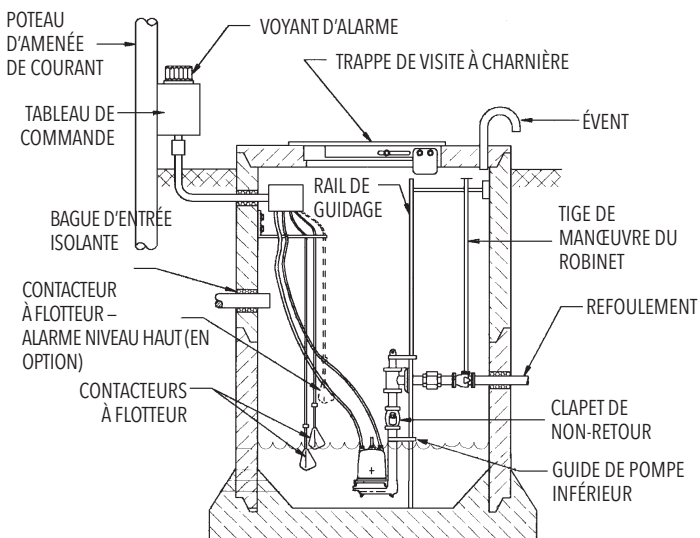


Fig. 1

### Schéma de câblage triphasé type

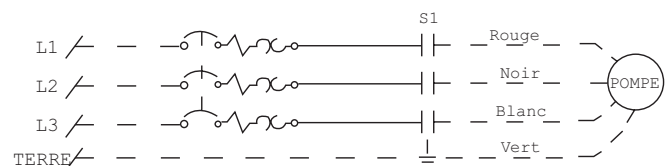


Fig. 2

## DIAGNOSTIC DES ANOMALIES



**OMETTRE DE VERROUILLER LA SOURCE DE COURANT EN POSITION HORS CIRCUIT AVANT D'EFFECTUER TOUT TRAVAIL D'ENTRETIEN SUR LA POMPE PEUT CAUSER UN CHOC ÉLECTRIQUE, DES BRÛLURES OU LA MORT.**

ANOMALIES	CAUSES PROBABLES	CORRECTIFS RECOMMANDÉS
<p>NON-FONCTIONNEMENT DU MOTEUR</p> <p><b>NOTA</b> : si le disjoncteur ne cesse de s'«OUVRIR», <b>NE PLUS</b> le réarmer. S'adresser à un électricien.</p> <p>Mode manuel</p>	<p>Protecteur thermique du moteur déclenché</p> <p>Disjoncteur ouvert ou fusible sauté</p> <p>Roue bloquée ou grippée</p> <p>Câble d'alimentation endommagé</p> <p>Mauvaise connexion dans le tableau de commande</p>	<p>Laisser le moteur refroidir. Vérifier si la hauteur d'immersion est suffisante. Enlever les débris de la pompe et de la roue.</p> <p>En déterminer la cause et s'adresser à un électricien.</p> <p>Mesurer le courant (A) consommé par le moteur. Si l'intensité est au moins deux fois plus élevée que celle qui a) figure sur la plaque signalétique de la pompe, la roue est grippée, ou bien les roulements ou l'arbre du moteur sont endommagés. Enlever les débris de la pompe et de la roue. Consulter le détaillant.</p>
<p>b) Mode automatique</p>	<p>Fil neutre non connecté au tableau de commande</p> <p>Mauvaise connexion dans le tableau de commande</p> <p>Contacteur à flotteur défectueux</p>	<p>La valeur de résistance mesurée entre les fils d'alimentation et le fil de terre devrait être infinie. Si elle n'est pas appropriée, appeler un électricien.</p> <p>Inspecter le câblage du tableau de commande. Appeler un électricien.</p> <p>Débrancher le contacteur à flotteur et en vérifier la continuité en l'actionnant. Le remplacer au besoin.</p>
<p><b>NOTA</b> : vérifier si la pompe peut fonctionner en mode manuel d'abord. Si oui, la commande automatique ou le câblage sont défectueux. Dans la négative, voir les indications ci-dessus.</p>	<p>Liquide trop bas pour actionner les commandes</p> <p>Câbles de contacteur à flotteur enchevêtrés</p>	<p>Laisser le liquide monter de 76 à 101 mm (3 à 4 po) au-dessus du niveau de démarrage.</p> <p>Démêler les câbles de contacteur à flotteur et s'assurer que les contacteurs peuvent bouger librement.</p>
<p>NON-ARRÊT DE LA POMPE</p>	<p>Câbles de contacteur à flotteur enchevêtrés</p> <p>Poche d'air dans la pompe</p> <p>on peut percer un trou-purgeur d'air de 4,8 mm (3/16 po)</p> <p>Débit de l'influent égal à celui de la pompe</p>	<p>Démêler les câbles de contacteur à flotteur et s'assurer que les contacteurs peuvent bouger librement.</p> <p>Arrêter la pompe pendant environ une minute, puis la remettre en marche. Répéter l'opération jusqu'à ce que la poche d'air s'élimine. Si le problème persiste et que le tuyau de refoulement comporte un clapet de non-retour, de diamètre dans le tuyau à environ 51 mm (2 po) en aval de l'orifice de refoulement de la pompe.</p> <p>Il faut peut-être une pompe plus puissante.</p>
<p>DÉBIT DE REFOULEMENT FAIBLE OU NUL</p>	<p>Clapet de non-retour posé à l'envers, obstrué ou coincé en position fermée</p> <p>Hauteur de charge trop élevée du système</p> <p>Entrée de pompe obstruée</p> <p>Connexions ou tension inappropriées</p> <p>Poche d'air dans la pompe</p> <p>Roue usée ou endommagée</p> <p>Contacteurs à flotteur défectueux ou mal placés</p>	<p>Vérifier l'orientation de la flèche sur le clapet de non-retour et le fonctionnement de ce dernier.</p> <p>Consulter le détaillant.</p> <p>Inspecter et dégager l'entrée au besoin.</p> <p>Vérifier le sens de rotation de la pompe, la tension et le câblage. Consulter un électricien.</p> <p>Voir le correctif recommandé pertinent ci-dessus.</p> <p>Inspecter la roue et la remplacer au besoin.</p> <p>Inspecter, régler ou remplacer les contacteurs au besoin.</p>
<p>CYCLE DE FONCTIONNEMENT RÉPÉTÉ SANS ARRÊT</p>	<p>Clapet de non-retour défectueux</p> <p>Installation de confinement des eaux d'égout trop petite</p> <p>Contacteurs à flotteur défectueux ou mal placés</p> <p>Débit de l'influent supérieur à celui de la pompe</p>	<p>Inspecter, réparer ou remplacer le clapet au besoin.</p> <p>Consulter le détaillant.</p> <p>Inspecter, régler ou remplacer les contacteurs au besoin.</p> <p>Consulter le détaillant.</p>

## NOTES

## GARANTIE LIMITÉE DU CONSOMMATEUR

Pour les biens vendus à des fins personnelles, familiales ou domestiques, le Vendeur garantit que les biens achetés ci-après (avec l'exception des membranes, joints, joints d'étanchéité, matériaux élastomères, revêtements et autres « pièces d'usure » ou consommables qui ne sont pas garantis sauf si autrement indiqué dans la proposition ou le formulaire de ventes) seront exempts de tout défaut de matériaux ou de fabrication pour une période de un (1) an à partir de la date d'installation ou 18 (18) mois à partir du code de date du produit, selon la première éventualité, à moins qu'une période plus longue soit prévue par la loi ou spécifiée dans la documentation du produit (la « Garantie »).

Sauf mention contraire dans la loi, le Vendeur devra, à sa discrétion et sans frais pour l'Acheteur, soit réparer soit remplacer tout produit qui ne se conforme pas avec la Garantie en autant que l'Acheteur donne un avis écrit au Vendeur de tous défauts de matériaux ou de fabrication en dedans de dix (10) jours de la date lorsque tous défauts ou non conformité se manifeste. Que ce soit pour une réparation ou un remplacement, le Vendeur ne sera pas obligé d'enlever ou de payer pour le retrait du produit défectueux ou d'installer ou de payer pour l'installation du produit remplacé ou réparé et l'Acheteur sera responsable de tous les autres coûts, incluant mais sans s'y limiter, les coûts de service, les frais et les dépenses de transport. Le Vendeur aura une absolue discrétion en ce qui concerne la méthode ou les moyens de réparation ou de remplacement. Le non-respect de l'Acheteur de se conformer aux directives de réparation ou de remplacement du Vendeur mettra fin aux obligations du Vendeur sous cette Garantie et annulera cette Garantie. Toutes les pièces réparées ou remplacées sous la Garantie sont garanties seulement pour le restant de la période de garantie sur les pièces qui ont été réparées ou remplacées. La Garantie est conditionnelle à ce que l'Acheteur donne un avis écrit au Vendeur de tous défauts dans les matériaux ou la fabrication des biens garantis en dedans de dix (10) jours de la date lorsque tous défauts se sont manifestés.

Le Vendeur n'aura aucune obligation de garantie à l'Acheteur en ce qui a trait à tout produit ou toutes pièces qui ont été : (a) réparés par des tiers autre que le Vendeur ou sans l'approbation écrite du Vendeur; (b) sujets à une mauvaise utilisation, un usage impropre, une altération, un accident, ou dommage physique; (c) utilisés de manière contraire aux instructions du Vendeur pour l'installation, le fonctionnement ou l'entretien; (d) endommagés par l'usure ordinaire, la corrosion, ou une attaque chimique; (e) endommagés à cause de conditions anormales, de vibrations, d'un manque dans une mise en service appropriée, ou d'un fonctionnement sans débit; (f) endommagés à cause d'une alimentation électrique défectueuse ou de protection électrique inappropriée; ou (g) endommagés suite à l'utilisation d'accessoires non vendus ou approuvés par le Vendeur. Dans tous les cas de produits non fabriqués par le Vendeur, il n'y a aucune garantie de la part du Vendeur; toutefois, le Vendeur prolongera à l'Acheteur toute garantie reçue du fournisseur du Vendeur de tels produits.

**Politique de Goulds Water Technology concernant les ventes en ligne aux clients.** Les propriétaires de maison utilisant l'Internet pour trouver des informations concernant les systèmes d'eau résidentielle, les systèmes d'eaux usées résidentielles, les commandes et les réservoirs peuvent découvrir plusieurs sites offrant la possibilité de faire des achats directs. Les systèmes d'eau et d'eaux usées résidentielles sont des applications très importantes conçues pour être installées par des professionnels qualifiés. Goulds Water Technology dispose d'un vaste réseau national de distributeurs et de concessionnaires ainsi que de revendeurs agréés. Pour obtenir une liste complète des distributeurs reconnus ainsi que des concessionnaires et des revendeurs agréés de Goulds Water Technology, veuillez consulter notre localisateur à : <http://goulds.com/sales-service/>

Aucune garantie n'est offerte sur l'équipement Goulds Water Technologie acheté sur l'Internet, incluant les options basées sur le Web provenant de détaillants non autorisés. Cette politique est nécessaire afin d'assurer que l'équipement de Goulds Water Technology est correctement installé, conformément aux lois, règlements et codes en vigueur, de manière qui couvre les préoccupations de sécurité et la bonne performance de l'équipement de Goulds Water Technology.

LA GARANTIE QUI PRÉCÈDE EST FOURNIE À LA PLACE DE TOUTES AUTRES GARANTIES EXPRESSES. TOUTES LES GARANTIES IMPLICITES, Y COMPRIS MAIS SANS S'Y LIMITER LES GARANTIES IMPLICITES DE VALEUR MARCHANDE ET D'ADAPTABILITÉ POUR UN BUT PARTICULIER, SONT LIMITÉES À UN (1) AN DE LA DATE DE L'INSTALLATION OU DIX-HUIT (18) MOIS DU CODE DE DATE DU PRODUIT, SELON LA PREMIÈRE ÉVENTUALITÉ. SAUF LORSQU'AUTREMENT REQUIS PAR LA LOI, L'UNIQUE RECOURS DE L'ACHETEUR ET LA RESPONSABILITÉ GLOBALE DU VENDEUR POUR VIOLATION DE TOUTES GARANTIES QUI PRÉCÈDENT SONT LIMITÉS À LA RÉPARATION OU AU REMPLACEMENT DU PRODUIT ET NE SERONT EN AUCUN CAS LIMITÉS AU MONTANT PAYÉ PAR L'ACHETEUR POUR LE PRODUIT DÉFECTUEUX. DANS AUCUN CAS LE VENDEUR NE SERA RESPONSABLE DE TOUTE AUTRE FORME DE DOMMAGES, QU'ILS SOIENT DIRECTS, INDIRECTS, LIQUIDÉS, ACCESSOIRES, PUNITIFS, EXEMPLAIRES OU DOMMAGES SPÉCIAUX, INCLUANT MAIS SANS S'Y LIMITER LA PERTE DE PROFIT, LA PERTE D'ÉCONOMIES OU DE REVENUS ANTICIPÉS, LA PERTE DE REVENU, LA PERTE COMMERCIALE, LA PERTE DE PRODUCTION, LA PERTE D'OPPORTUNITÉ OU LA PERTE DE RÉPUTATION.

Certaines provinces ne permettent pas de limiter la durée des garanties implicites, par conséquent la limite ci-dessus peut ne pas s'appliquer à vous. Certaines provinces ne permettent pas l'exclusion ou la limite de dommages accessoires ou indirects, par conséquent les exclusions ci-dessus peuvent ne pas s'appliquer à vous. Cette garantie vous confère des droits juridiques spécifiques, et vous pouvez également jouir d'autres droits qui peuvent varier d'une juridiction à l'autre.

Pour faire une réclamation de garantie, vérifier d'abord avec le concessionnaire où vous avez acheté le produit ou visiter [www.xylem.com](http://www.xylem.com) pour le nom et l'emplacement du concessionnaire le plus près qui offre un service de garantie.



Xylem Inc.  
2881 East Bayard Street Ext., Suite A  
Seneca Falls, NY 13148  
Téléphone: (866) 325-4210  
Télécopie: (888) 322-5877  
[www.xylem.com/goulds](http://www.xylem.com/goulds)

Goulds est une marque déposée de Goulds Pumps, Inc. et est utilisé sous le permis.  
© 2019, Xylem Inc. IM039 Révision numéro 8 Mars 2019