



TYPE "B" SINGLE STAGE CENTRIFUGAL PUMP Electric Motor Drive Self Prime

Section	CC/SP
Page	20.1
Date	May 15, 2009
Supersedes 1/1/04	

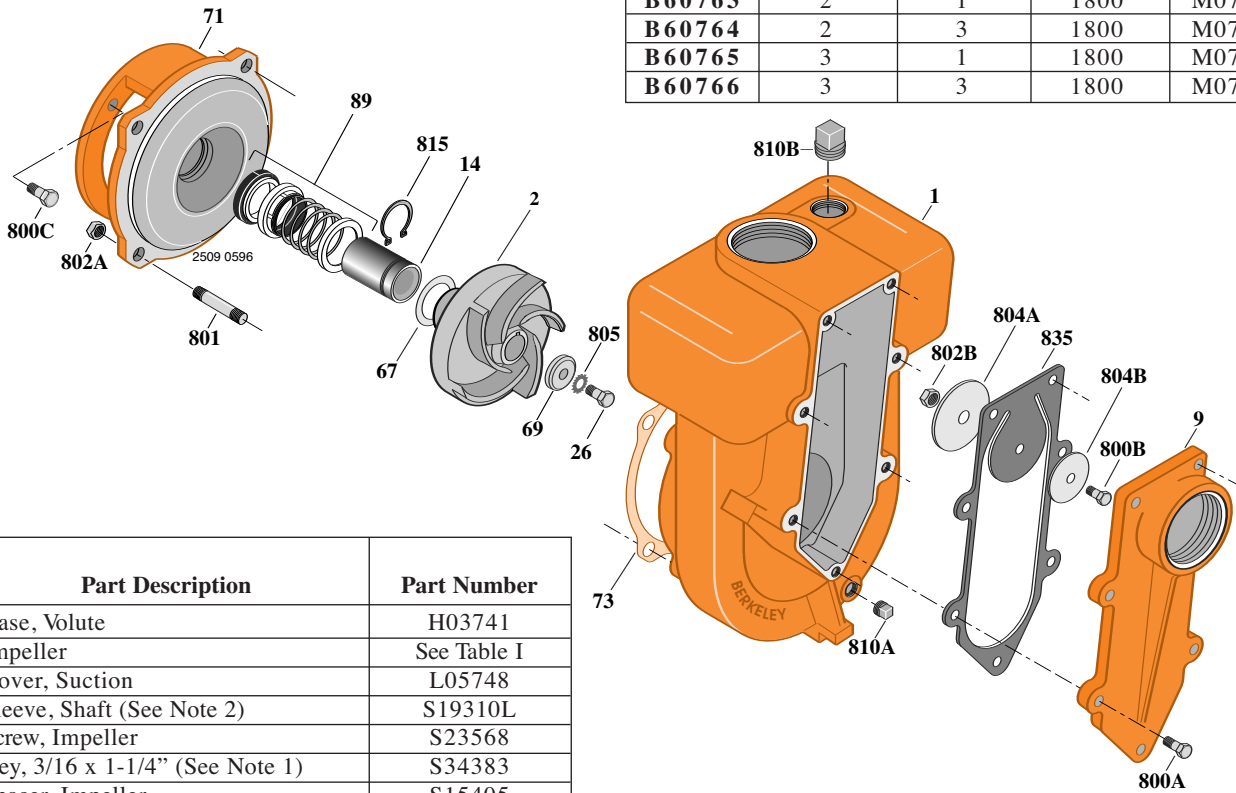
CAST IRON IMPELLER B3TPKS

Threaded Case (NPT)

Mechanical Seal Construction

TABLE I

B/M No.	HP	PH	RPM	Imp. No.
B60761	1.5	1	1800	M07240
B60762	1.5	3	1800	M07240
B60763	2	1	1800	M07239
B60764	2	3	1800	M07239
B60765	3	1	1800	M07232
B60766	3	3	1800	M07232



Item No.	Part Description	Part Number
1	Case, Volute	H03741
2	Impeller	See Table I
9	Cover, Suction	L05748
14	Sleeve, Shaft (See Note 2)	S19310L
26	Screw, Impeller	S23568
32	Key, 3/16 x 1-1/4" (See Note 1)	S34383
67	Spacer, Impeller	S15405
69	Washer, Impeller Lock	S06314
71	Bracket	See Table II
73	Gasket	S04757
73	Gasket (As required)	S15049
89	Seal, Mechanical Shaft	S32014
800A	Capscrew, 3/8 - 16 x 1-1/4" (7 Req.)	S26828
800B	Capscrew, 3/8 - 16 x 3/4"	S26824
800C	Capscrew, 3/8 - 16 x 1" (4 Req.)	S26826
801	Stud, 1/2 - 13 x 1-1/2" (4 Req.)	S24043
802A	Nut, Hex 1/2 - 13 (4 Req.)	S23107
802B	Nut, Hex 3/8 - 16	S23103
804A	Weight, Clack	S15325
804B	Weight, Clack	S14843
805	Washer, Lock	S23036
810A	Plug, Pipe 1/4 NPT	S23715
810B	Plug, Pipe 1-1/4 NPT	S23694
815	Ring, Retaining	S11207
835	Clack, Rubber	L05749

TABLE II

HP	PH	Bracket No.	"AK" Fit	"U" Dim.	Motor Frame
1.5	1	L05329	4-1/2"	7/8"	145JM
1.5	3	L05329	4-1/2"	7/8"	145JM
2	1	L05329	4-1/2"	7/8"	182JM
2	3	L05329	4-1/2"	7/8"	145JM
3	1	L05329	4-1/2"	7/8"	184JM
3	3	L05329	4-1/2"	7/8"	182JM

NOTE 1: For an explanation of the tabulated material found on this page and for impeller key location, refer to **Supplement A** located at the beginning of section **CC**.

NOTE 2: Sleeve replacement kit available. Berkeley part number B85681 includes the shaft sleeve, adhesive compound and instruction sheet.



TYPE "B" SINGLE STAGE CENTRIFUGAL PUMP Electric Motor Drive Self Prime

Section	CC/SP
Page	20.2
Date	May 15, 2009
Supersedes 1/1/04	

CAST IRON IMPELLER

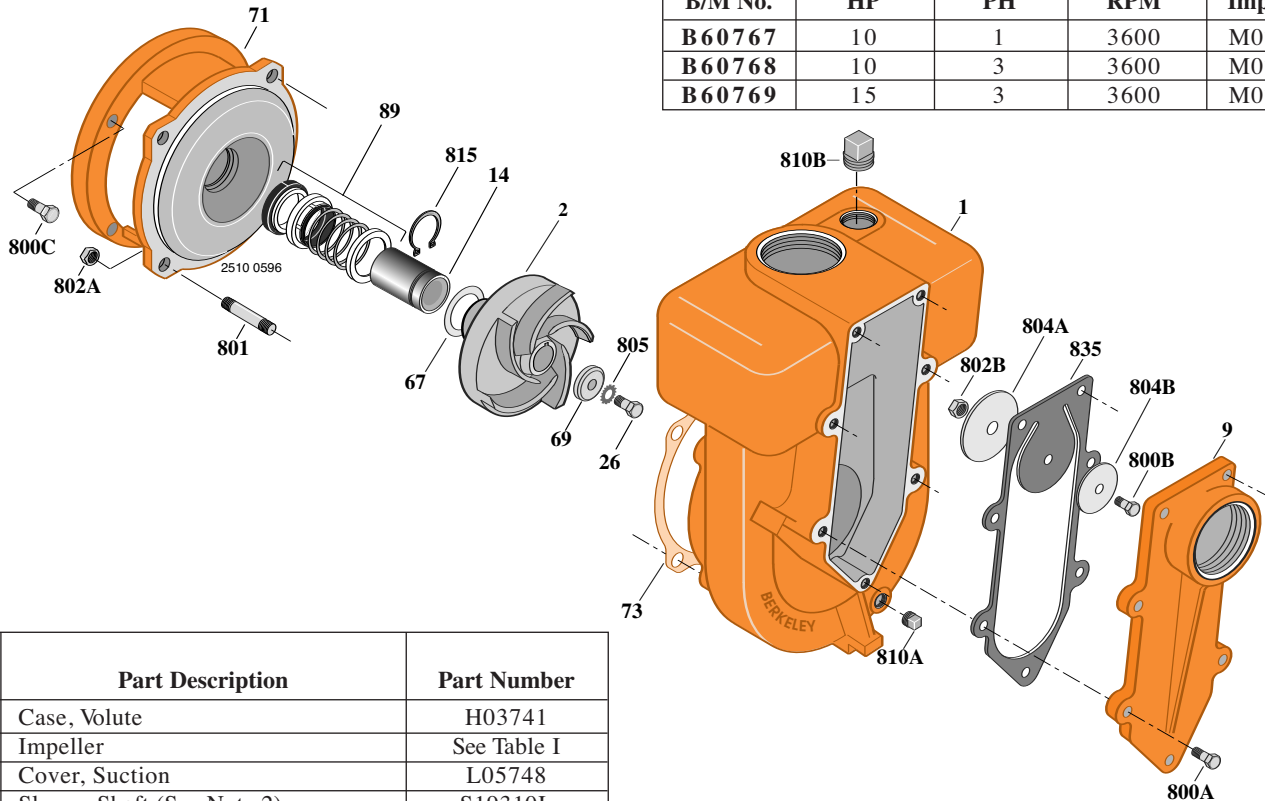
B3TPKS

Threaded Case (NPT)

Mechanical Seal Construction

TABLE I

B/M No.	HP	PH	RPM	Imp. No.
B60767	10	1	3600	M07240
B60768	10	3	3600	M07240
B60769	15	3	3600	M07239



Item No.	Part Description	Part Number
1	Case, Volute	H03741
2	Impeller	See Table I
9	Cover, Suction	L05748
14	Sleeve, Shaft (See Note 2)	S19310L
26	Screw, Impeller	S23568
32	Key, 3/16 x 1-1/4" (See Note 1)	S34383
67	Spacer, Impeller	S15405
69	Washer, Impeller Lock	S06314
71	Bracket	See Table II
73	Gasket	S04757
73	Gasket (As required)	S15049
89	Seal, Mechanical Shaft	S32014
800A	Capscrew, 3/8 - 16 x 1-1/4" (7 Req.)	S26828
800B	Capscrew, 3/8 - 16 x 3/4"	S26824
800C	Capscrew, 1/2 - 13 x 1" (4 Req.)	S26912
801	Stud, 1/2 - 13 x 1-1/2" (4 Req.)	S24043
802A	Nut, Hex 1/2 - 13 (4 Req.)	S23107
802B	Nut, Hex 3/8 - 16	S23103
804A	Weight, Clack	S15325
804B	Weight, Clack	S14843
805	Washer, Lock	S23036
810A	Plug, Pipe 1/4 NPT	S23715
810B	Plug, Pipe 1-1/4 NPT	S23694
815	Ring, Retaining	S11207
835	Clack, Rubber	L05749

TABLE II

HP	PH	Bracket No.	"AK" Fit	"U" Dim.	Motor Frame
10	1	L05328	8-1/2"	7/8"	215JM
10	3	L05328	8-1/2"	7/8"	213JM
15	3	L05328	8-1/2"	7/8"	215JM

NOTE 1: For an explanation of the tabulated material found on this page and for impeller key location, refer to *Supplement A* located at the beginning of section *CC*.

NOTE 2: Sleeve replacement kit available. Berkeley part number B85681 includes the shaft sleeve, adhesive compound and instruction sheet.