

PRODUCT INFORMATION PACKET



Model No: CZ6K17VK1B

Catalog No: 116348.00

..1HP..1725RPM.56H.TENV.115/208-230V.1PH.60HZ.CONT.40C.1.15SF.RIGID
C.CZ6K17VK1B.....WASHGUARD-ALL STAINLESS.NOT.....

1 Phase



Regal and Leeson are trademarks of Regal Beloit Corporation or one of its affiliated companies.

©2018 Regal Beloit Corporation, All Rights Reserved. MC017097E



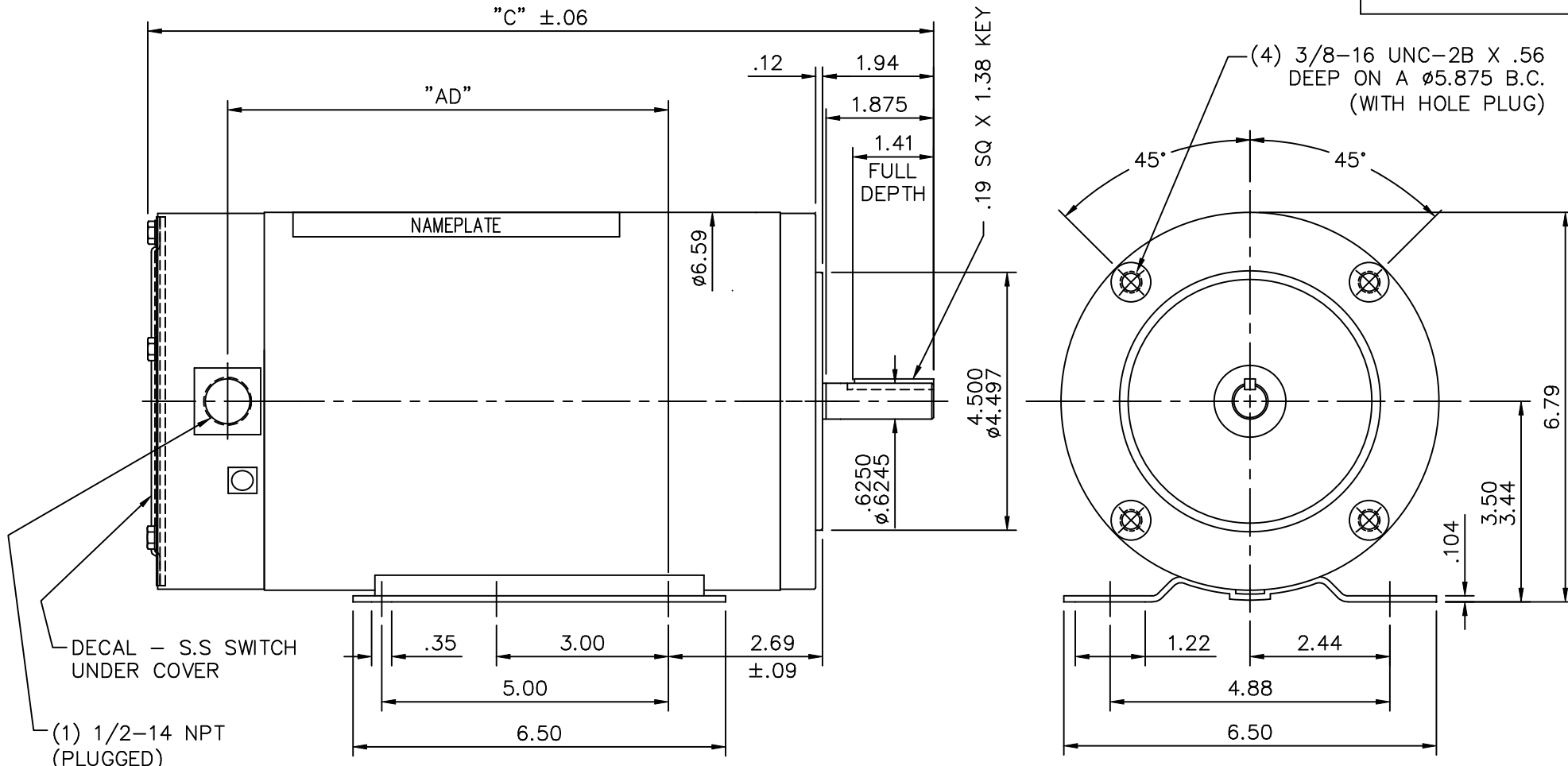


Nameplate Specifications

Output HP	1 Hp	Output KW	0.75 kW
Frequency	60 Hz	Voltage	115/208-230 V
Current	9.0/5.0-4.5 A	Speed	1725 rpm
Service Factor	1.15	Phase	1
Efficiency	82.5 %	Duty	Continuous
Insulation Class	F	Design Code	N
KVA Code	K	Frame	56HC
Enclosure	Totally Enclosed Non Ventilated	Overload Protector	No
Ambient Temperature	40 °C	Drive End Bearing Size	6205
Opp Drive End Bearing Size	6203	UL	Recognized
CSA	Y	CE	N
IP Code	55		

Technical Specifications

Electrical Type	Capacitor Start Capacitor Run	Starting Method	Across The Line
Poles	4	Rotation	Selective Counterclockwise
Mounting	Rigid base	Motor Orientation	HORIZONTAL
Drive End Bearing	BALL	Opp Drive End Bearing	BALL
Frame Material	Rolled Steel	Shaft Type	NEMA 56
Overall Length	13.70 in	Frame Length	9.00 in
Shaft Diameter	0.625 in	Shaft Extension	1.88 in
Assembly/Box Mounting	F1 ONLY		
Outline Drawing	034991-900	Connection Diagram	005259.03



SPECIAL FEATURES:

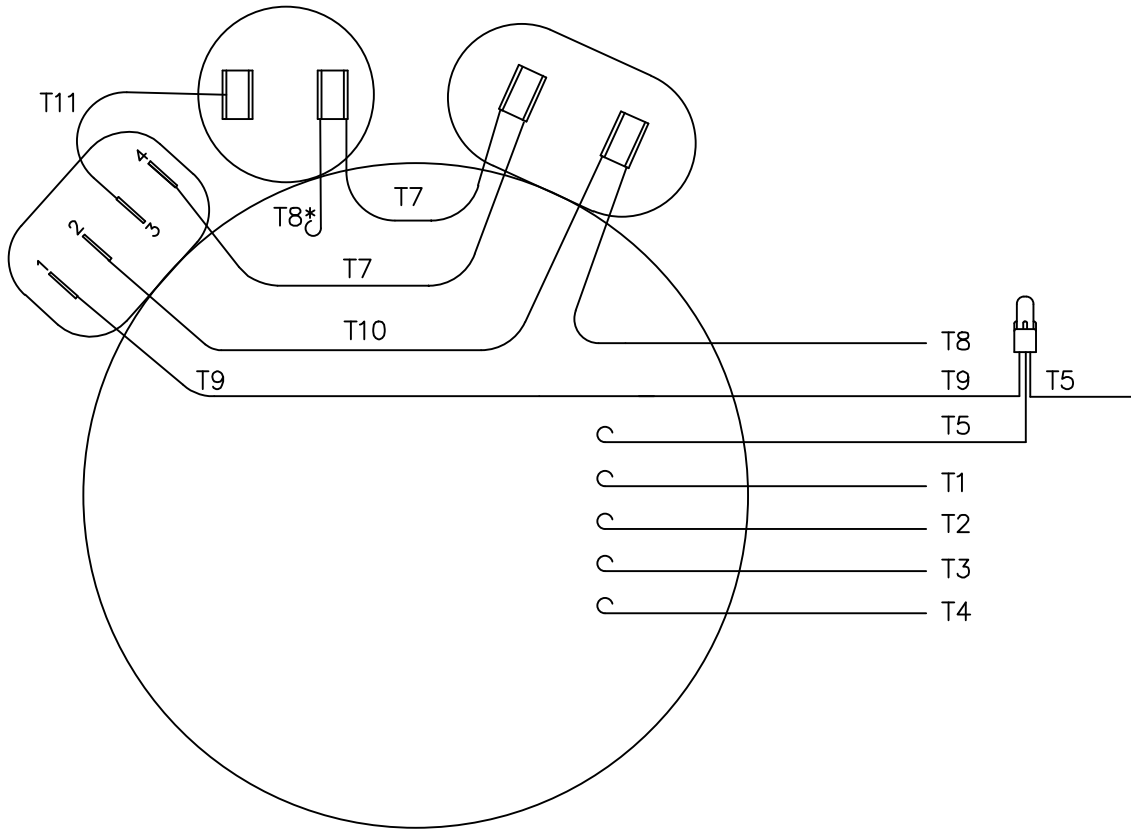
- VITON CONDUIT BOX & COVER GASKETS
- VITON O-RINGS IN ENDBELL RABBETS
- VITON SHAFT SEAL
- BREATHER PLUGS IN L.E. ENDBELL (B.I.C.B.)
- ALL STAINLESS STEEL CONSTRUCTION

DASH NO.	"C"	"AD"
750	12.20	6.19
800	12.70	6.69
850	13.20	7.19
900	13.70	7.69

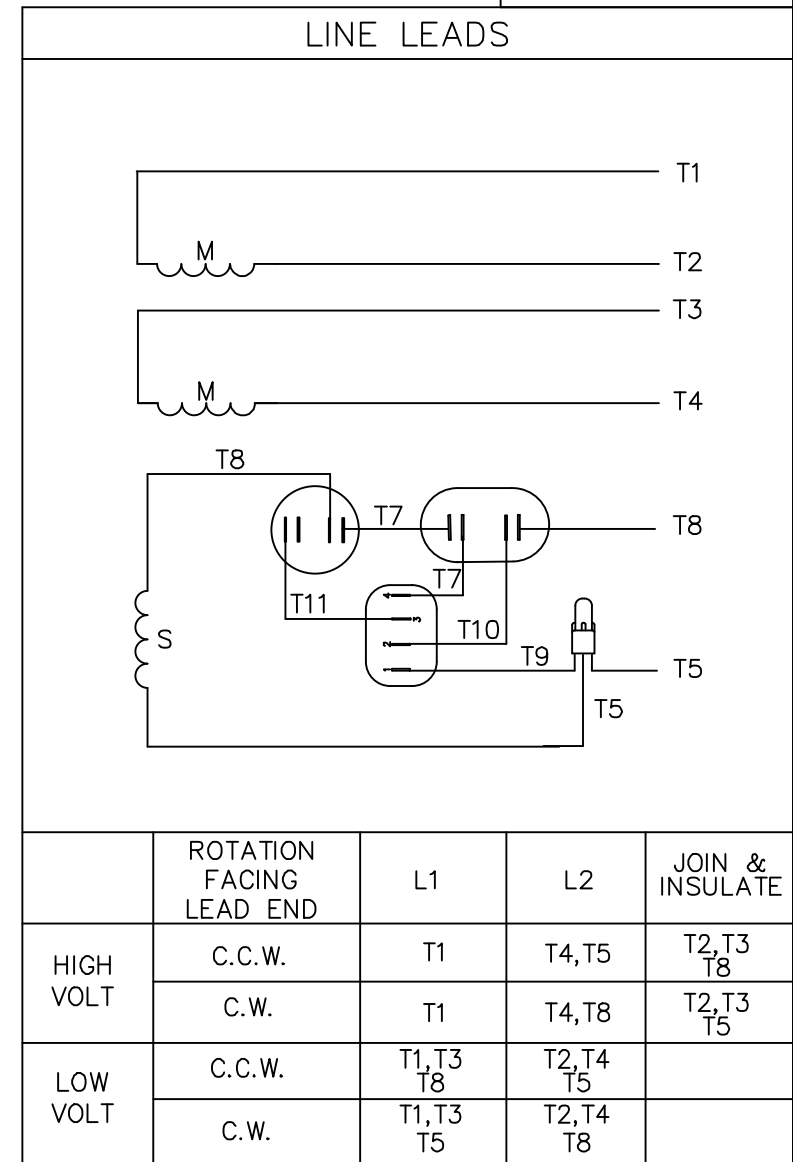
MAXIMUM FACE RUNOUT TO BE .004 T.I.R.
 MAXIMUM PILOT ECCENTRICITY .004 T.I.R.
 PERMISSIBLE SHAFT RUNOUT .002 T.I.R.

		TOLERANCES UNLESS SPECIFIED		LEESON	ELECTRIC MOTORS GEARMOTORS AND DRIVES	DRAWN	LST 3/18/03		
		DEC.	INCHES			CHK	APPD		
		.X	±.1	TITLE OUTLINE- 56HC FRAME TENV- RIGID "C"	SCALE 3=8				
		.XX	±.03						
02	ADDED HOLE PLUGS PER ECO 03-617	LST	8/7/03			.XXX	±.005	REF	PR020350
01	REVISED NAMEPLATE	JJK	7/24/03			.XXXX	±.0005	FMF	116348
NO.	REVISION	BY & DATE	CHK	ANG	±1/2"	FINISH	PREV		
THIS DRAWING IN DESIGN AND DETAIL IS OUR PROPERTY AND MUST NOT BE USED EXCEPT IN CONNECTION WITH OUR WORK ALL RIGHTS OF DESIGN AND INVENTION ARE RESERVED THIS IS AN ELECTRONICALLY GENERATED DOCUMENT - DO NOT SCALE THIS PRINT				RFP	CAD FILE	034991	SIZE	DRAWING NO.	REV.
				DIST			A	034991	02

VIEW FROM OUTSIDE OF MOTOR AT SWITCH END.



*THIS LEAD MAY BE WHITE



				TOLERANCES UNLESS OTHERWISE SPECIFIED		LEESON ELECTRIC CORPORATION							
				DECIMALS									
				.00	± .01	DRAWN KMM 12/16/94		TITLE		EXTERNAL WIRING DIAGRAM TYPE "K" W/O PROTECTOR			
				.000	± .005	CH'K'D.							
02	REDRAWN, UPDATED TO CURRENT STANDARDS		DBT	12/18/97	.0000	± .0005	APPR.		MAT'L			W/SOLID STATE SWITCH DECAL - 004012	
NO.	REVISION		BY	DATE	FRACTIONS	± 1/64	SCALE 1=1						
THIS DRAWING IN DESIGN AND DETAIL IS OUR PROPERTY AND MUST NOT BE USED EXCEPT IN CONNECTION WITH OUR WORK ALL RIGHTS OF DESIGN AND INVENTION ARE RESERVED					ANGLES	± 1/2°	REF.	005259-02	FINISH	DTS	SIZE	DRAWING NO.	
					INCH/MM		FMF	114559	FLUID	A	005259-03		



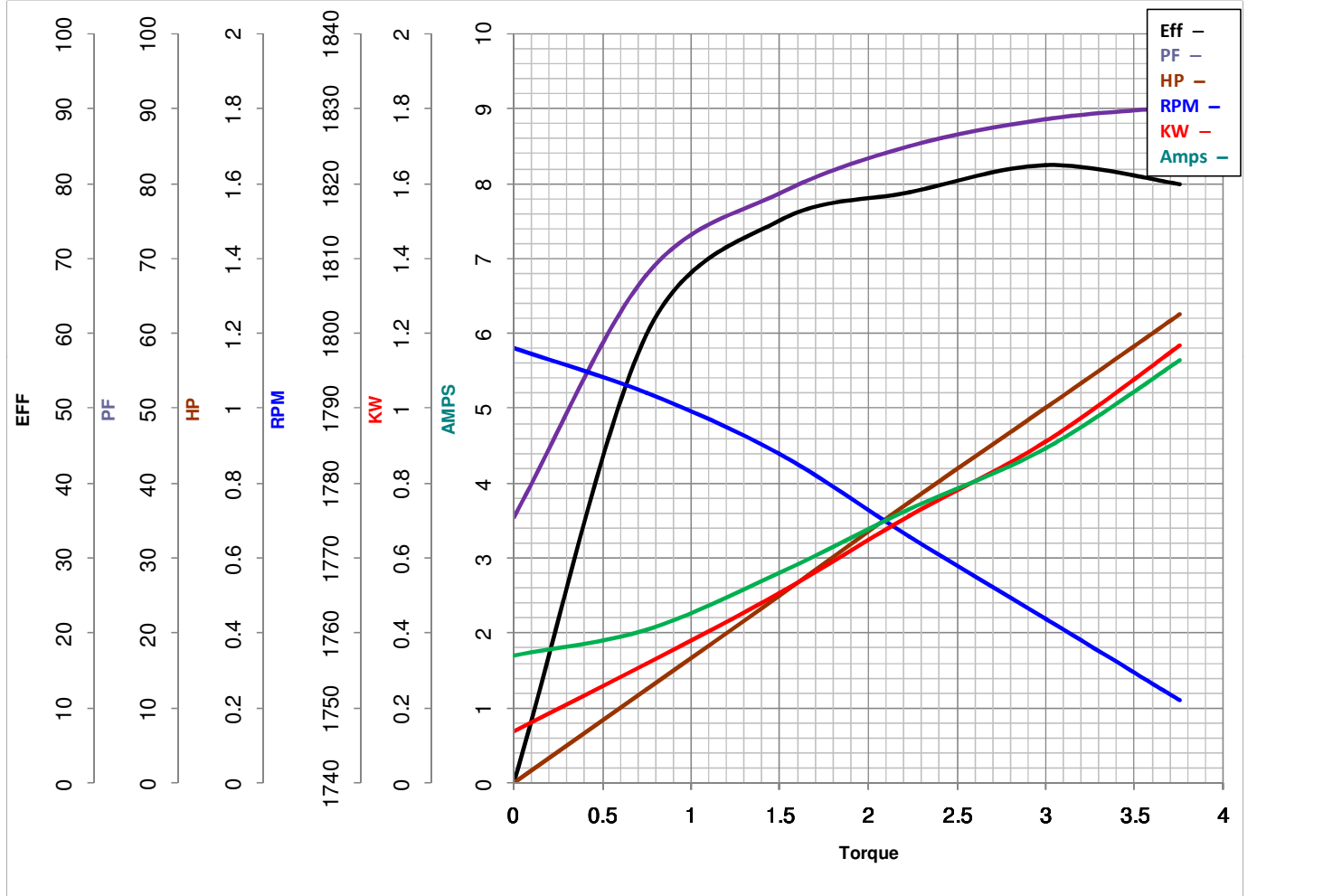
LEESON ELECTRIC CORPORATION
 TYPICAL PERFORMANCE CURVE for AC MOTOR

Model No 116348.00

Curve at 230 Volts HP 1.00 PHASE 1
60 HZ
1 HP VOLTS 115/208-230

Catalog No 116348.00

HZ 60 RPM 1725



Torque in Lb.Ft

FL TORQUE 3 Lb.Ft
 BD TORQUE 8.0 Lb.Ft
 LR TORQUE 8.2 Lb.Ft

FL AMPS 9/5-4.5
 PU TORQUE 7.5 Lb.Ft
 LR AMPS 35

WINDING K634306-3

Date 5/2/2018