

BALDOR® • RELIANCE 

Product Information Packet

D2510R

10HP, 1750RPM, DC, 2113ATY, TEFC,

| Part Detail | | | | | | | |
|-------------|-------|-------------|-------|----------------|----------|---------------|------------|
| Revision: | - | Status: | PRD/A | Change #: | | Proprietary: | No |
| Type: | DC | Prod. Type: | | Elec. Spec: | G6241C A | CD Diagram: | 406770-001 |
| Enclosure: | TEFC | Mfg Plant: | | Mech. Spec: | | Layout: | 609951-013 |
| Frame: | MC211 | Mounting: | F1 | Poles: | 00 | Created Date: | 04-10-2015 |
| Base: | | Rotation: | R | Insulation: | F | Eff. Date: | 04-13-2015 |
| Field Type: | | Literature: | | Elec. Diagram: | | Replaced By: | |

| Specs | | | |
|---------------------------|-------------------------|--|--|
| Enclosure: | TEFC | | |
| Frame: | MC2113ATZ | | |
| Frame Material: | Exposed Laminations | | |
| Agency Approvals: | CCSA US | | |
| Base Indicator: | Rigid | | |
| Bearing Grease Type: | Polyrex EM (-20F +300F) | | |
| Drip Cover: | No Drip Cover | | |
| Duty Rating: | CONT | | |
| Feedback Device: | NO FEEDBACK | | |
| Field Winding Type: | STAB SHUNT | | |
| Frame Prefix: | MC | | |
| Heater Indicator: | No Heater | | |
| Insulation Class: | F | | |
| Lifting Lugs: | Standard Lifting Lugs | | |
| Mounting Arrangement: | F1 | | |
| Shaft Extension Location: | Pulley End | | |

| | | | |
|---------------------------------|--------------------|--|--|
| Shaft Ground Indicator: | No Shaft Grounding | | |
| Shaft Slinger Indicator: | No Slinger | | |
| Motor Standards: | NEMA | | |

| | | | |
|------------------------------|-------------------|--------------------|------------|
| Nameplate 000613006HP | | | |
| CAT.NO. | D2510R | SPEC NO. | T21S0303 |
| FR | MC 2113ATZ | HP | 10 |
| ENCL. | TEFC | RPM | 1750/ 2300 |
| ENCL MOD | | VOLTS | 240 |
| MAX SAFE SPEED | 4500 | AMPS | 35.50 |
| FIELD DATA | | SER.NO. | |
| WINDING | STAB SHUNT | POWER CODE | C |
| VOLTS | 150 | D.E. BRG. | 50BC03J30X |
| MAX AMPS @ 25 C | 3.13 | O.D.E. BRG. | 45BC02J30X |
| HOT AMPS | 2.19/ 1.58 | MIN. AMB. | 0 |
| | BRUSH:419904051AB | TYPE | TR |
| | | | |

| Parts List | | |
|-------------|--|----------|
| Part Number | Description | Quantity |
| SA297169 | SA T21S0303 | 1.000 EA |
| AA016181 | AA T21S0303 | 1.000 EA |
| 000613006HP | NAMEPLATE - RPM III D-C MOTOR W/CSA LOGO | 1.000 EA |
| 000692000FP | NP, WARNING LIFT INSTRUCTIONS | 1.000 EA |
| 000692000FS | WARNING LABEL | 1.000 EA |
| 036170004EA | ROUND HEAD DRIVE SCREW | 6.000 EA |
| 406770001 | C/D TAG (STAB SHUNT) | 1.000 EA |
| 036000012HB | HHCS M6X12MM LONG PLATED | 4.000 EA |
| 036000020KB | MHHCS M10-1.5X20MM PLTD. | 4.000 EA |
| 036501008AB | KPNUT M6-1.0 ZINCPLETED | 8.000 EA |
| 036610010AB | MHSLW M10 PLATED | 4.000 EA |
| 419904051AB | BRUSH EXTRUDER DUTY C | 4.000 EA |
| 419905003A | FLAT WASHER ROCKER RPM III RGG | 4.000 EA |
| 419905008A | HARDWARE | 8.000 EA |
| 706364051AA | BRHLD ADD HARDWARE | 4.000 EA |
| 706372001B | ROCKR METRIC | 1.000 EA |
| 034530018AB | P/NIP 1/8X2-1/4L PLATED | 1.000 EA |
| 034630001AJ | 1/8" PIPE COUPLING | 1.000 EA |
| 034693001AB | PPLG - G508- use 034692001AB | 1.000 EA |
| 034693001AB | PPLG - G508- use 034692001AB | 1.000 EA |
| 035000001A | ALFTG 1/8" 1610-BL | 1.000 EA |
| 035000001A | ALFTG 1/8" 1610-BL | 1.000 EA |
| 036000055JB | HHCS,DE CAP | 2.000 EA |
| 036000060KB | HHCS,DE CAP | 3.000 EA |

| Parts List (continued) | | |
|------------------------|-----------------------------|----------|
| Part Number | Description | Quantity |
| 036500010AB | METRIC NUT M10-1.5PLTD400 | 4.000 EA |
| 036500010AB | METRIC NUT M10-1.5PLTD400 | 4.000 EA |
| 048977006B | GRFTG - XP | 1.000 EA |
| 400638001H | SPRING WASHER | 1.000 EA |
| 418150003A | GREASE FITTING CAP | 2.000 EA |
| 609830005N | TBOLT METRIC RP609830- | 4.000 EA |
| 801924102E | BRKT,ODE,C210 | 1.000 EA |
| 801925102A | BRKT,DE,C210 | 1.000 EA |
| 032018004AK | HHCS 1/4-20X1/2 PLATED | 4.000 EA |
| 032018004CK | HHCS 3/8-16X1/2L PLATED | 3.000 EA |
| 032018014DK | HHCS 1/2-13X1-3/4 PLTD | 4.000 EA |
| 034001012AB | WSHR 1/4" PLATED | 4.000 EA |
| 034017016AB | LCKW 1/2" PLATED | 4.000 EA |
| 034180012EA | KEY 5/16X5X16X1-1/2 L | 1.000 EA |
| 036000012HB | HHCS M6X12MM LONG PLATED | 2.000 EA |
| 036000045JB | M8-1.25 X 45MM HXHCS | 4.000 EA |
| 036620009AB | M8 EXTERNAL LK WASHER | 1.000 EA |
| 065530000B | GASK | 1.000 EA |
| 075451000A | COVER, CONDUIT BOX | 1.000 EA |
| 078547001R | FAN A 78547001P | 1.000 EA |
| 412043012B | 400G BUTTON | 1.000 EA |
| 415072001B | CLAMP | 1.000 EA |
| 417733001G | GASKT | 2.000 EA |
| 418010006A | CAST,MPLATE,180-280,EX1,7BY | 1.000 EA |

Product Information Packet: D2510R - 10HP,1750RPM,DC,2113ATY,TEFC,

| | | |
|-------------|-----------------------------------|----------|
| 418018074A | GROUND LABEL G100 METRIC 160 D.C. | 1.000 EA |
| 422919001 | CVRKT BE SOLID C210 | 1.000 EA |
| 422919001 | CVRKT BE SOLID C210 | 1.000 EA |
| 422919001 | CVRKT BE SOLID C210 | 1.000 EA |
| 422919012 | HHCVR KIT,C210,ODE,SOLID | 1.000 EA |
| 422919012 | HHCVR KIT,C210,ODE,SOLID | 1.000 EA |
| 422919012 | HHCVR KIT,C210,ODE,SOLID | 1.000 EA |
| 603909002A | GRILL, FAN | 1.000 EA |
| 706320003A | CONDUIT BOX | 1.000 EA |
| 706365001A | FNGRL | 1.000 EA |
| 801953001A | FNCVR | 1.000 EA |
| 000640000P | TAG WINDING THERMOST | 1.000 EA |
| 000692000NG | LABEL ;NP 4POLE METRIC LABEL | 1.000 EA |
| 034180020GA | KEY 1/2X1/2X2-1/2 L | 1.000 EA |

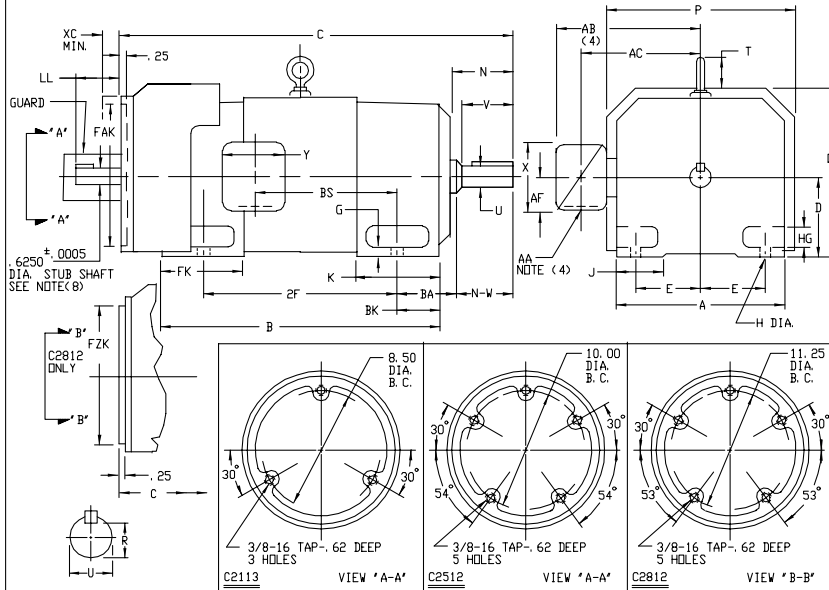
609951-013

INDUSTRIAL DIRECT CURRENT MOTORS AND GENERATORS - RPM III

ENCLOSURE: TOTALLY ENCLOSED
MOUNTING: FOOT
METHOD OF DRIVE: COUPLED OR BELTED

COOLING: FAN COOLED
ACCESSORIES: PROVISION FOR
TACHOMETER MOUNTING
ONLY WHEN SPECIFIED

FRAMES SC2113ATZ THRU LC2812ATZ



DIMENSIONS ARE IN INCHES

| FRAME | A | BK(1) | E | G | H | HG | J | D | P | T | BA | K | FK | BK | FAK(6) | FZK(7) | XC(5) |
|---------------------|-------|-------|------|-----|-----|------|------|-------|-------|------|------|------|------|------|--------|--------|-------|
| SC2113ATZ-LC2113ATZ | 10.25 | 5.25 | 4.25 | .44 | .44 | 1.38 | 1.75 | 11.62 | 12.75 | 1.38 | 3.50 | 5.19 | 6.81 | 2.38 | 9.750 | N/A | 1.25 |
| SC2512ATZ-LC2512ATZ | 12.31 | 6.25 | 5.00 | .50 | .56 | 1.62 | 2.00 | 13.62 | 14.75 | 1.94 | 4.25 | 6.06 | 8.00 | 3.00 | 11.250 | N/A | 1.25 |
| MC2812ATZ-LC2812ATZ | 13.78 | 7.00 | 5.50 | .62 | .56 | 1.88 | 2.75 | 15.06 | 16.12 | 2.31 | 4.75 | 6.75 | 9.19 | 3.50 | N/A | 12.500 | 1.25 |

| FRAME | C | B | BS | 2F | N | N-V | UK(2) | V | RK(3) | SD | LGTH. | WT. |
|-----------|-------|-------|-------|-------|------|------|-------|------|-------|-----|-------|-----|
| SC2113ATZ | 32.19 | 22.50 | 11.38 | 18.00 | 4.00 | 3.75 | 1.875 | 3.50 | 1.591 | 500 | 2.50 | 355 |
| MC2113ATZ | 33.44 | 23.75 | 12.62 | 18.00 | 4.00 | 3.75 | 1.875 | 3.50 | 1.591 | 500 | 2.50 | 380 |
| LC2113ATZ | 35.06 | 25.38 | 14.25 | 18.00 | 4.00 | 3.75 | 1.875 | 3.50 | 1.591 | 500 | 2.50 | 410 |
| SC2512ATZ | 35.94 | 25.06 | 12.06 | 20.00 | 4.50 | 4.25 | 2.125 | 4.00 | 1.845 | 500 | 3.00 | 355 |
| MC2512ATZ | 37.44 | 26.56 | 13.56 | 20.00 | 4.50 | 4.25 | 2.125 | 4.00 | 1.845 | 500 | 3.00 | 590 |
| LC2512ATZ | 38.94 | 28.06 | 15.06 | 20.00 | 4.50 | 4.25 | 2.125 | 4.00 | 1.845 | 500 | 3.00 | 630 |
| MC2812ATZ | 41.62 | 29.94 | 14.25 | 22.00 | 5.00 | 4.75 | 2.375 | 4.50 | 2.021 | 625 | 3.50 | 835 |
| LC2812ATZ | 43.88 | 32.19 | 16.50 | 22.00 | 5.00 | 4.75 | 2.375 | 4.50 | 2.021 | 625 | 3.50 | 900 |

- (1) 'B' DIMENSION WILL NOT BE EXCEEDED. SHIMS UP TO .03 INCHES IN THICKNESS ARE USUALLY REQUIRED FOR COUPLED OR GEARED MACHINES.
 - (2) 'U' VARIES----4.000 - .001
 - (3) 'R' VARIES----4.000 - .015
 - (4) TERMINAL BOX VARIES WITH H.P. FOR DIMENSIONS 'AA', 'AB', 'AC', 'AF', 'X' AND 'Y'. SEE DRAWING NUMBER 609959-1.
 - (5) WALLS OR OBSTRUCTIONS MUST NOT ENCRDACH ON AIR INLET SPACE 'XC'.
 - (6) 'FAK' VARIES + .005 - .000----FACE RUNDUT AND ECCENTRICITY .007 MAX. T. I. R.
 - (7) 'FZK' VARIES + .000 - .005----FACE RUNDUT AND ECCENTRICITY .007 MAX. T. I. R.
 - (8) STUB SHAFT SUPPLIED ONLY WHEN SPECIFIED. KEY SIZE .188 X .188 X 1.00
 - (9) FOR RE-045 DR SPY PROVISIONS ON 'C2812' ADD 1.00 TO 'LL' DIMENSION.
- TERMINAL BOX CAN BE ROTATED FOR LEAD OUTLET AT TOP, SIDES OR BOTTOM
TERMINAL BOX LOCATED ON OPPOSITE SIDE WHEN F-2, W-1, W-4, W-5, W-7,
DR, C-1 MOUNTING IS SPECIFIED. BOX LOCATED ON TOP WHEN SPECIFIED.
MOTOR WEIGHT MAY VARY 15% FOR NON-STANDARD RATINGS AND/OR ACCESSORIES.
IF MOUNTING CLEARANCE DETAILS ARE REQUIRED, CONSULT FACTORY.

| TACHOMETER | LL |
|-------------|--------------|
| BC-42 | |
| BC-46 | |
| RD-11 | |
| RD-12 | 4.25 |
| RD-51 | |
| RD-61 | |
| RD-62 | |
| RE-210 | |
| M627, M628 | |
| M727, M737 | |
| M738 | |
| DINAPAR 745 | |
| RE-045 | 3.80 |
| SPY | 1.12 |
| | SEE NOTE (9) |

CUSTOMER IS RESPONSIBLE FOR DETERMINING THAT BALDOR'S PRODUCT WILL PERFORM SUITABLY IN THE INTENDED APPLICATION.

| | | |
|--------------------------|------------------------------|-------------------|
| REV. DESC: LOADED TO BUS | VERSION: 00 | TDR: 000000577407 |
| REV. LTR: - | REVISED: 11:02:01 01/26/2011 | BY: CONNAS |
| FILE: \RGG\00015\557 | | |
| MTL: - | | |

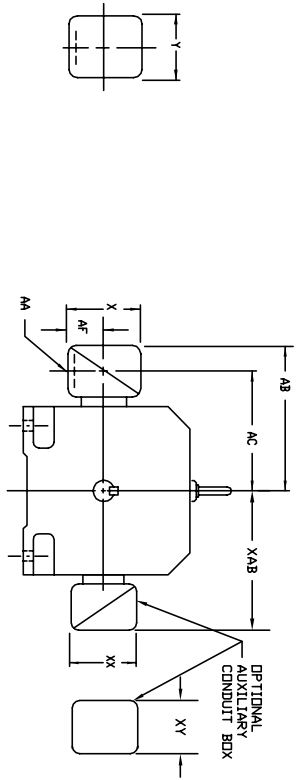
BALDOR
DIMENSION DRAWING, SC2113ATZ - LC2812ATZ, TEFC, FOOT MTG
SH 1 of 1

609951-013

609959-001

609959-001

INDUSTRIAL DIRECT CURRENT MOTORS
AND GENERATORS - RPM III
TERMINAL BOX DIMENSIONS
STANDARD SIZE AND ONE SIZE LARGER
FRAMES C2113ATZ THRU C2815ATZ



DIMENSIONS ARE IN INCHES

| FRAME SIZE | STEEL TERMINAL BOX DIMENSIONS | | | | | | | | | | | | |
|--------------|-------------------------------|---------------|-------|-------|------|-----------------|-------|-------------|---------------|-------|-------|------|-------|
| | STANDARD SIZE | | | | | ONE SIZE LARGER | | | | | | | |
| MAX. AMPS | AK(1) | AB | AC | AF | X | Y | AK(1) | AB | AC | AF | X | Y | |
| C2113ATZ | 40 | 3/4 & 1" | 8.97 | 7.47 | 1.94 | 4.38 | 5.00 | 7.05029-1-R | 1-1/4 & 1-1/2 | 10.03 | 8.03 | 2.50 | 5.50 |
| C2115ATZ | 96 | 1-1/4 & 1-1/2 | 10.03 | 8.03 | 2.50 | 5.50 | 6.12 | 7.05029-1-R | 2" & 2-1/2 | 11.16 | 8.41 | 3.19 | 7.00 |
| C2115ATZ (2) | 208 | 2" & 2-1/2 | 11.16 | 8.41 | 3.19 | 7.00 | 7.62 | 7.05030-1-R | 2" & 2-1/2 | 11.16 | 8.41 | 3.19 | 7.00 |
| C2515ATZ | 40 | 3/4 & 1" | 10.03 | 8.53 | 1.94 | 4.38 | 5.00 | 7.05029-1-R | 1-1/4 & 1-1/2 | 11.09 | 9.09 | 2.50 | 5.50 |
| C2515ATZ (2) | 96 | 1-1/4 & 1-1/2 | 11.09 | 9.09 | 2.50 | 5.50 | 6.12 | 7.05029-1-R | 2" & 2-1/2 | 12.22 | 9.47 | 3.19 | 7.00 |
| C2515ATZ (2) | 208 | 2" & 2-1/2 | 12.22 | 9.47 | 3.19 | 7.00 | 7.62 | 7.05030-1-R | 2" & 2-1/2 | 12.22 | 9.47 | 3.19 | 7.00 |
| C2815ATZ | 128 | 2" | 14.03 | 10.53 | 4.25 | 8.44 | 7.25 | 7.4874-4-R | 3" | 14.47 | 11.22 | 4.25 | 8.44 |
| C2815ATZ | 155 | 3" | 14.47 | 11.22 | 4.25 | 8.44 | 7.25 | 7.4874-4-R | 4" | 15.91 | 11.84 | 5.38 | 10.56 |
| C2815ATZ | 259 | 4" | 15.91 | 11.84 | 5.38 | 10.56 | 9.00 | 7.03038-3-R | 5" (4) | 18.72 | 13.47 | 7.00 | 12.75 |

| FRAME SIZE | CAST IRON TERMINAL BOX DIMENSIONS | | | | | | | | | | | | |
|------------|-----------------------------------|-------|-------|-------|------|-----------------|-------|-------------|--------|-------|-------|------|-------|
| | STANDARD SIZE | | | | | ONE SIZE LARGER | | | | | | | |
| MAX. AMPS | AK(3) | AB | AC | AF | X | Y | AK(3) | AB | AC | AF | X | Y | |
| C2113ATZ | 18 | 3/4 | 10.03 | 8.03 | 2.50 | 5.00 | 5.75 | 7.05028-2-S | 1" | 10.03 | 8.03 | 2.50 | 5.50 |
| C2113ATZ | 40 | 1" | 10.03 | 8.03 | 2.50 | 5.00 | 5.75 | 7.05028-2-R | 1-1/2 | 10.97 | 8.53 | 3.00 | 6.00 |
| C2115ATZ | 96 | 1-1/2 | 10.97 | 8.53 | 3.00 | 6.00 | 7.00 | 7.05029-2-R | 2" | 10.97 | 8.53 | 3.00 | 6.00 |
| C2115ATZ | 208 | 2" | 10.97 | 8.53 | 3.00 | 6.00 | 7.00 | 7.05029-2-S | 2-1/2 | 12.66 | 8.91 | 3.62 | 7.88 |
| C2515ATZ | 18 | 3/4 | 11.09 | 9.09 | 2.50 | 5.00 | 5.75 | 7.05028-2-S | 1" | 11.09 | 9.09 | 2.50 | 5.00 |
| C2515ATZ | 40 | 1" | 11.09 | 9.09 | 2.50 | 5.00 | 5.75 | 7.05028-2-T | 1-1/2 | 12.03 | 9.59 | 3.00 | 6.00 |
| C2515ATZ | 96 | 1-1/2 | 12.03 | 9.59 | 3.00 | 6.00 | 7.00 | 7.05029-2-S | 2" | 12.03 | 9.59 | 3.00 | 6.00 |
| C2515ATZ | 208 | 2" | 12.03 | 9.59 | 3.00 | 6.00 | 7.00 | 7.05029-2-R | 2-1/2 | 13.72 | 9.97 | 3.62 | 7.88 |
| C2815ATZ | 128 | 2" | 12.78 | 10.34 | 3.00 | 6.00 | 7.00 | 7.5460-1 | 3" | 14.47 | 10.72 | 3.62 | 7.88 |
| C2815ATZ | 155 | 3" | 14.47 | 10.72 | 3.62 | 7.88 | 9.25 | 7.6708-RB | 4" | 15.78 | 11.59 | 4.12 | 9.50 |
| C2815ATZ | 259 | 4" | 15.78 | 11.59 | 4.12 | 9.50 | 10.50 | 7.6708-RB | 5" (4) | 18.59 | 13.34 | 7.00 | 12.75 |

| FRAME SIZE | CONDUIT BOX DIMENSIONS WITH TERMINAL BOARDS (IEC TYPE BOX) | | | | | | | | | | | |
|------------|--|-------|-------|------|-------|-----------------|----------------------------|-------|----------------------------|-------|----------------------------|-------|
| | STANDARD SIZE | | | | | ONE SIZE LARGER | | | | | | |
| AMPS | AB | AC | AF | X | AA | Y | AB | AC | AF | X | AA | Y |
| C210 | 100 | 10.71 | 8.98 | 2.72 | 7.48 | 7.48 | 7.06310-56-A | 7.48 | 7.06310-56-A | 7.48 | 7.06310-56-A | 7.48 |
| C210 | 200 | 11.26 | 9.25 | 3.35 | 8.82 | 8.82 | 7.06310-56-B | 8.82 | 7.06310-56-B | 8.82 | 7.06310-56-B | 8.82 |
| C290 | 100 | 11.30 | 9.57 | 2.72 | 7.48 | 7.48 | 7.06310-56-B | 7.48 | 7.06310-56-B | 7.48 | 7.06310-56-B | 7.48 |
| C290 | 200 | 11.85 | 9.84 | 3.35 | 8.82 | 8.82 | 7.06310-56-B | 8.82 | 7.06310-56-B | 8.82 | 7.06310-56-B | 8.82 |
| C290 | 400 | 17.48 | 12.75 | 6.20 | 14.39 | 14.39 | 7.06310-63-B & 7.06310-63G | 14.39 | 7.06310-63-B & 7.06310-63G | 14.39 | 7.06310-63-B & 7.06310-63G | 14.39 |
| C290 | 800 | 17.48 | 12.75 | 6.20 | 14.39 | 14.39 | 7.06310-63-B & 7.06310-63G | 14.39 | 7.06310-63-B & 7.06310-63G | 14.39 | 7.06310-63-B & 7.06310-63G | 14.39 |
| C290 | 200 | 12.60 | 10.99 | 3.76 | 8.82 | 8.82 | 7.06310-56-B | 8.82 | 7.06310-56-B | 8.82 | 7.06310-56-B | 8.82 |
| C290 | 400 | 18.27 | 13.54 | 6.20 | 14.39 | 14.39 | 7.06310-63-B & 7.06310-63G | 14.39 | 7.06310-63-B & 7.06310-63G | 14.39 | 7.06310-63-B & 7.06310-63G | 14.39 |
| C290 | 800 | 18.27 | 13.54 | 6.20 | 14.39 | 14.39 | 7.06310-63-B & 7.06310-63G | 14.39 | 7.06310-63-B & 7.06310-63G | 14.39 | 7.06310-63-B & 7.06310-63G | 14.39 |
| C290 | 1600 | 18.27 | 13.54 | 7.68 | 15.35 | 15.35 | 7.06310-63-C | 15.35 | 7.06310-63-C | 15.35 | 7.06310-63-C | 15.35 |

| FRAME SIZE | OPTIONAL AUXILIARY CONDUIT BOX DIMENSIONS (MAXIMUM) | | | | | | | | | |
|------------|---|------|------|--------------|------|-------|------|------|-------------|-------------|
| | XAB | XX | XY | XY | XY | XY | XAB | XX | XY | XY |
| C210 | 7.38 | 4.25 | 4.25 | 6.02007-26-A | C210 | 10.88 | 8.00 | 8.00 | 7.06310-3-B | 7.06310-3-B |
| C290 | 8.44 | 4.25 | 4.25 | 6.02007-26-A | C290 | 11.88 | 8.00 | 8.00 | 7.06310-3-B | 7.06310-3-B |
| C290 | 9.12 | 4.25 | 4.25 | 6.02007-26-A | C290 | 12.62 | 8.00 | 8.00 | 7.06310-3-B | 7.06310-3-B |

(1) *AM CONDUIT
(2) STEEL TERMINAL BOX FOR C2113ATZ AND C2515ATZ
(3) *AM PIPE TAP
(4) TERMINAL BOX 76870-9R EXTENDS BELOW MOTOR FEET.
TERMINAL BOX CAN BE ROTATED FOR LEAD DULLET AT TOP, SIDES OR BOTTOM.
TERMINAL BOX LOCATED ON OPPOSITE SIDE WHEN F-2, V-1, V-4, V-5, V-7,
OR C-1 MOUNTING IS SPECIFIED. BOX LOCATED ON TOP WHEN SPECIFIED.
FOR *X/P TERMINAL BOX DIMENSIONS SEE 609959-2.
FOR **X/P TERMINAL BOX DIMENSIONS SEE 609959-3.

CUSTOMER IS RESPONSIBLE FOR DETERMINING THAT BALDOR'S PRODUCT WILL PERFORM SUITABLY IN THE INTENDED APPLICATION.

| | | |
|---|-------------|------------------------------|
| REV. DESC: ADD 706310-63G C/BOX TO C250 AND C280 FRAMES | VERSION: 01 | TDR: 000000816512 |
| REV. LTR: A | | |
| FILE: \RGG\00021\153 | | REVISED: 03:09:09 09/06/2013 |
| MTL: - | | BY: RGGWT |

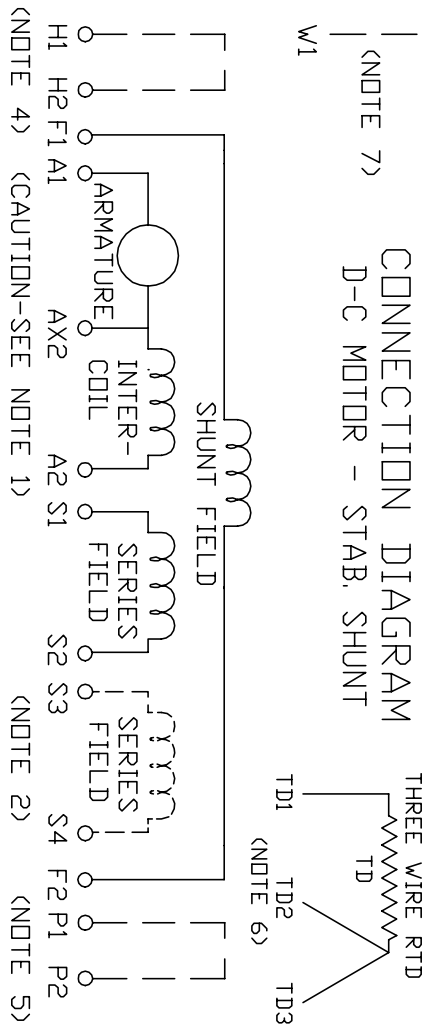


DIMENSION SHEET
SH 1 of 1

406770-001

406770-001

**CONNECTION DIAGRAM
D-C MOTOR - STAB. SHUNT**



ARMATURE AND FIELD EXTERNAL CONNECTIONS
WARNING- SEE NOTE 8 FOR GROUNDING INSTRUCTIONS



ROTATION FACING COMMUTATOR END

1. **CAUTION** — ARMATURE AND SERIES FIELD MAY HAVE MULTIPLE LEADS. CONNECT ALL LUGS WITH THE SAME MARKING TOGETHER.
 2. OPTIONAL SERIES FIELD IS MARKED S3 AND S4. FOR CUMULATIVE SERIES FIELD, CONNECT S3 TO S2 AND CONNECT S4 TO NEGATIVE. FOR DIFFERENTIAL SERIES FIELD CONNECT S4 TO S2 AND S3 TO NEGATIVE.
 3. OPTIONAL CONTROL SIGNAL LEAD IS MARKED AX2. ALWAYS TAKE INTERPOLE DROP BETWEEN A2 AND AX2. NOTE: NEMA DESIGNATION FOR AX2 IS LETTER C.
 4. SPACE HEATERS, WHEN PROVIDED, WILL HAVE LEADS MARKED H1 AND H2, H3, H4, ETC.
 5. THERMAL PROTECTOR, WHEN PROVIDED, WILL HAVE LEADS MARKED P1 AND P2, P3, P4, ETC.
 6. WINDING RTD'S, WHEN PROVIDED, WILL HAVE LEADS MARKED TD1, TD2, & TD3
 7. BRUSH WEAR SENSOR, WHEN PROVIDED, WILL HAVE LEAD MARKED W1.
 8. **WARNING** — MOTOR MUST BE GROUNDED TO PREVENT SERIOUS INJURIES TO PERSONNEL. GROUND THE MOTOR PER IEC, NATIONAL ELECTRICAL CODE AND ANY APPLICABLE LOCAL ELECTRICAL CODES. A TAPPED HOLE IS PROVIDED IN THE CONDUIT BOX, ON THE FOOT. FRAME BRACE OR OPPOSITE DRIVE END BRACKET, ADJACENT TO THE TERMINAL BOX FOR MOTOR GROUNDING. GROUND LEAD, WHEN PROVIDED, WILL BE GREEN.
- CUSTOMER _____ RELIANCE
ORDER NO. _____ S.D. NO. _____

REV. DESC: DELETED DUPLICATE WORDS FROM NOTE 8

REV. LTR: A

VERSION: 01

TDR: 000000970330

FILE: \RSN\00026\422

REVISED: 10:19:12 03/11/2016

BY: RAGTBM

MTL: -

BALDOR

D-C MOTOR CONNECTION DIAGRAM STAB. SHUNT

SH 1 of 1