

BALDOR® • RELIANCE 

Product Information Packet

D50150RE-BV

150HP, 1750RPM, DC, 2815ATZ, DPG-FV,

Part Detail							
Revision:	-	Status:	PRD/A	Change #:		Proprietary:	No
Type:	DC	Prod. Type:		Elec. Spec:	G9776A A	CD Diagram:	406770-006
Enclosure:	DP	Mfg Plant:		Mech. Spec:		Layout:	616022-001
Frame:	C2815	Mounting:	F2	Poles:	00	Created Date:	04-09-2015
Base:		Rotation:	R	Insulation:	F	Eff. Date:	04-13-2015
Field Type:		Literature:		Elec. Diagram:		Replaced By:	

Specs			
Enclosure:	DP		
Frame:	C2815ATZ		
Frame Material:	Exposed Laminations		
Agency Approvals:	CCSA US		
Base Indicator:	Rigid		
Bearing Grease Type:	Polyrex EM (-20F +300F)		
Drip Cover:	No Drip Cover		
Duty Rating:	CONT		
Feedback Device:	NO FEEDBACK		
Field Winding Type:	STR. SHUNT		
Frame Prefix:	C		
Heater Indicator:	No Heater		
Insulation Class:	F		
Lifting Lugs:	Standard Lifting Lugs		
Mounting Arrangement:	F2		
Shaft Extension Location:	Pulley End		

Shaft Ground Indicator:	No Shaft Grounding		
Shaft Slinger Indicator:	No Slinger		
Motor Standards:	NEMA		

Nameplate 000613006HP			
CAT.NO.	D50150RE-BV	SPEC NO.	T28T1352
FR	C 2815ATZ	HP	150
ENCL.	DP	DUTY	CONT
ENCL MOD	FORCE VENT	RPM	1750/ 2000
MAX SAFE SPEED	3400	VOLTS	500
		AMPS	250.00
		SER.NO.	
		INSUL	F
		AMB.	40
		POWER CODE	C
		D.E. BRG.	75BC02J30X
		O.D.E. BRG.	55BC02J30X
		MIN. AMB.	0
		TYPE	TR

FIELD DATA	
WINDING	STR. SHUNT
VOLTS	300
MAX AMPS @ 25 C	10.64
HOT AMPS	7.18/ 6.25
	BRUSH:419904051AF

Parts List		
Part Number	Description	Quantity
SA297054	SA T28T1352	1.000 EA
AA016105	AA T28T1352	1.000 EA
000613006HP	NAMEPLATE - RPM III D-C MOTOR W/CSA LOGO	1.000 EA
000692000FP	NP, WARNING LIFT INSTRUCTIONS	1.000 EA
000692000FS	WARNING LABEL	1.000 EA
418057747A	METAL FASTENER	8.000 EA
406770006	C/D TAG STRAIGHT SHUNT	1.000 EA
036000020HB	HHCS M6-1.0X20MM PLATED	4.000 EA
036000020KB	MHHCS M10-1.5X20MM PLTD.	4.000 EA
036501008AB	KPNUT M6-1.0 ZINCPLETED	8.000 EA
036610010AB	MHSLW M10 PLATED	4.000 EA
419904-51AF	BRUSH METRIC C	12.000 EA
419905003A	FLAT WASHER ROCKER RPM III RGG	4.000 EA
419905008A	HARDWARE	8.000 EA
706364051RL	BRHLD METRIC SPRING CHG.	4.000 EA
706372011RF	ROCKER	1.000 EA
004824015A	GREASE POLYREX EM	0.300 LB
034693001AB	PPLG - G508- use 034692001AB	1.000 EA
034693001AB	PPLG - G508- use 034692001AB	1.000 EA
035000001A	ALFTG 1/8" 1610-BL	1.000 EA
035000001BB	GREASE FTG,GRS.IN	1.000 EA
036000075KB	HHCS M10 75MM ZINCPLAT	3.000 EA
036100060JA	M8-1.25 X 60MM HXSOCHDCS	3.000 EA
036500011AB	METRIC NUT M12-1.75 PLT.	4.000 EA

Parts List (continued)		
Part Number	Description	Quantity
036500011AB	METRIC NUT M12-1.75 PLT.	4.000 EA
418150003A	GREASE FITTING CAP	2.000 EA
419912001A	WWSHR	1.000 EA
609830005AAY	TBOLT .500" X 25.88"	4.000 EA
801928102D	BRKT,ODE,C280	1.000 EA
801929102A	BRKT,DE,C280	1.000 EA
000613006NT	NAME PLATE IEC	1.000 EA
032018004CK	HHCS 3/8-16X1/2L PLATED	4.000 EA
032018006CK	HHCS 3/8-16X3/4L PLATED	4.000 EA
034017014AB	LCKW 3/8 STD. PLATED	4.000 EA
036000012HB	HHCS M6X12MM LONG PLATED	4.000 EA
036000012JB	M8-1.25 X 12MM HXHDC	3.000 EA
036000016KB	HHCSM10-1.5X16MM PLTD-280	2.000 EA
036000020JB	HHCS M8-1.25X20L PLTD-250	4.000 EA
036000045JB	M8-1.25 X 45MM HXHCS	4.000 EA
036600009AB	METRIC FLWASH M8 PLATED	3.000 EA
036620009AB	M8 EXTERNAL LK WASHER	1.000 EA
036620010AB	M10 EXT. TOOTH LK WASHER	2.000 EA
077176001A	CBOXC, PAINTED 360-400	1.000 EA
402731001A	GASK 360-440	1.000 EA
410978010E	INLET FLGE	1.000 EA
410978019A	SCREEN, INLET FLANGE	1.000 EA
415000103E	T/LUG #4AWG-1/0AWG W/HOLE FOR .375 BOLT	1.000 EA
417733004E	GASKT	2.000 EA

Product Information Packet: D50150RE-BV - 150HP,1750RPM,DC,2815ATZ,DPG-FV,

418014004A	ADAPT 418014-4WCA	1.000 EA
418018074A	GROUND LABEL G100 METRIC 160 D.C.	3.000 EA
422919053	HHCVR KIT, C280, DE, XT	1.000 EA
422919055	HHCVR KIT, C280, DE, LOUVERED	1.000 EA
422919055	HHCVR KIT, C280, DE, LOUVERED	1.000 EA
422919064	HHCVR KIT, C280, ODE, SOLID	1.000 EA
422919064	HHCVR KIT, C280, ODE, SOLID	1.000 EA
610490001AF	1.5HP,3450//2850RPM,3PH,60//50HZ,56C,352	1.000 EA
611917002E	GASKT	1.000 EA
611965001A	WHEEL, BLOWER	1.000 EA
706305026A	GUARD,SHAFT	1.000 EA
706320016A	CONDUIT BOX	1.000 EA
708528004A	BLOWER HOUSING	1.000 EA
000640000P	TAG WINDING THERMOST	1.000 EA
000692000NG	LABEL ;NP 4POLE METRIC LABEL	1.000 EA
004824007K	SPECIAL PAINT	0.100 EA
034180028HA	KEY 5/8X5/8X3-1/2L-445	1.000 EA
418018116	WARNING PLATE	1.000 EA

616022-001

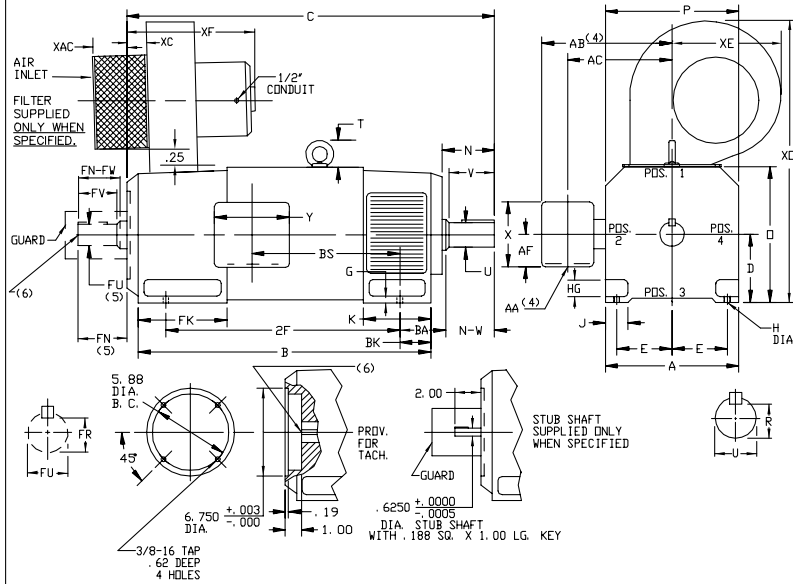
INDUSTRIAL DIRECT CURRENT MOTORS AND GENERATORS - RPM III

ENCLOSURE: DRIP-PROOF FULLY-GUARDED,
SPLASHPROOF

COOLING: FORCE VENTILATED
WITH INTEGRAL
BLOWER AND MOTOR

MOUNTING: FOOT

ACCESSORIES: PROVISION FOR
TACHOMETER MOUNTING
FRAMES MC2812ATZ THRU UC2815ATZ ONLY WHEN SPECIFIED



DIMENSIONS ARE IN INCHES

FRAME	XAC	XC	XE	XF	XO
MC2812ATZ-UC2815ATZ	6.38	4.00	9.25	19.00	26.25

FRAME	METHOD OR DRIVE	DRIVE END SHAFT AND KEY											OPPOSITE DRIVE END SHAFT AND KEYS					WT. LBS.		
		C(7)	B	BS	2F	N	N-V	UK(2)	V	RC(3)	SO	LGTH.	FN	FN-FW	FK(2)	FV	FR(3)		SO	LGTH.
MC2812ATZ	COUPLED	37.38	29.94	14.25	22.00	3.00	4.75	2.375	4.50	2.021	.625	3.50	4.50	4.25	2.125	4.00	1.845	.500	3.00	810
UMC2812ATZ	BELTED	37.88	29.94	14.25	22.00	3.50	5.25	2.625	5.00	2.275	.625	4.00	4.50	4.25	2.125	4.00	1.845	.500	3.00	815
LC2812ATZ	COUPLED	39.62	32.19	16.50	22.00	5.00	4.75	2.375	4.50	2.021	.625	3.50	4.50	4.25	2.125	4.00	1.845	.500	3.00	885
ULC2812ATZ	BELTED	40.12	32.19	16.50	22.00	5.50	5.25	2.625	5.00	2.275	.625	4.00	4.50	4.25	2.125	4.00	1.845	.500	3.00	890
CB2813ATZ	COUPLED	41.25	33.81	18.12	25.00	3.00	4.75	2.375	4.50	2.021	.625	3.50	4.50	4.25	2.125	4.00	1.845	.500	3.00	940
UC2813ATZ	BELTED	41.75	33.81	18.12	25.00	3.50	5.25	2.625	5.00	2.275	.625	4.00	4.50	4.25	2.125	4.00	1.845	.500	3.00	945
CB2815ATZ	COUPLED	46.75	39.31	23.62	32.00	3.00	4.75	2.375	4.50	2.021	.625	3.50	4.50	4.25	2.125	4.00	1.845	.500	3.00	1125
UC2815ATZ	BELTED	47.25	39.31	23.62	32.00	3.50	5.25	2.625	5.00	2.275	.625	4.00	4.50	4.25	2.125	4.00	1.845	.500	3.00	1130

- (1) "D" DIMENSION WILL NOT BE EXCEEDED. SHIMS UP TO .03 INCHES IN THICKNESS ARE USUALLY REQUIRED FOR COUPLED OR GEARED MACHINES.
 - (2) "U" AND "FU" VARY-----000 - .001
 - (3) "R" AND "FR" VARY-----000 - .015
 - (4) TERMINAL BOX VARIES WITH H.P. FOR DIMENSIONS "AA", "AB", "AC", "AF", "X" AND "Y". REFER TO BOX D/S. (STD. 609959-1, "X/P" 609959-2, WILL 609959-3)
 - (5) OPPOSITE DRIVE END SHAFT SUPPLIED ONLY WHEN SPECIFIED.
 - (6) MOTOR SHAFT TAPPED FOR SCREW-IN STUB SHAFT.
 - (7) WHEN THE MOTOR APPLICATION DOES NOT REQUIRE THE USE OF OPP. DRIVE END, ADD .25 TO "C" DIM. FOR BRACKET COVER.
- TERMINAL BOX CAN BE ROTATED FOR LEAD OUTLET AT TOP, SIDES OR BOTTOM.
TERMINAL BOX LOCATED ON OPPOSITE SIDE WHEN F-2, V-1, V-4, V-5, V-7,
OR C-1 MOUNTING IS SPECIFIED. BOX LOCATED ON TOP WHEN SPECIFIED.
BLOWER ASSEMBLY CAN BE LOCATED AT POSITIONS 1, 2, OR 4, EXCEPT
BLOWER ASSEMBLY AND TERMINAL BOX CAN NOT BE LOCATED AT THE SAME POSITION.
MOTOR WEIGHT MAY VARY 15% FOR NON-STANDARD RATINGS AND/OR ACCESSORIES.
IF MOUNTING CLEARANCE DETAILS ARE REQUIRED, CONSULT FACTORY.

CUSTOMER IS RESPONSIBLE FOR DETERMINING THAT BALDOR'S PRODUCT WILL PERFORM SUITABLY IN THE INTENDED APPLICATION.

REV. DESC: LOADED TO BUS	VERSION: 00	TDR: 000000578087
REV. LTR: -	REVISED: 01:13:50 01/28/2011	BY: CONNAS
FILE: \RGG\00016\005		
MTL: -		

BALDOR

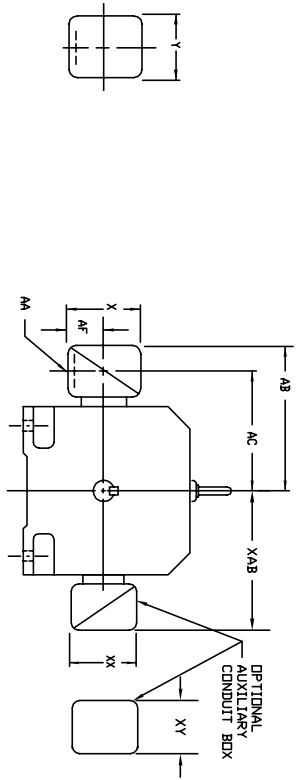
DIMENSION DRAWING, MC2812ATZ - UC2815ATZ, DPP, FOOT MTG

SH 1 of 1

616022-001

609959-001

INDUSTRIAL DIRECT CURRENT MOTORS
AND GENERATORS - RPM III
TERMINAL BOX DIMENSIONS
STANDARD SIZE AND ONE SIZE LARGER
FRAMES C2113ATZ THRU C2815ATZ



DIMENSIONS ARE IN INCHES

FRAME SIZE	STANDARD SIZE						ONE SIZE LARGER					
	MAX. AMPS	AK(1)	AB	AC	AF	AA	AB	AC	AF	AA	PART NUMBER	
C2113ATZ	40	3/4 & 1"	8.97	7.47	1.94	4.38	5.00	7.05	5.00	1-1/4 & 1-1/2	705028-1-R	
C2115ATZ	96	1-1/4 & 1-1/2	10.03	8.03	2.50	5.00	6.12	7.05	5.00	2" & 2-1/2	705029-1-R	
C2115ATZ (2)	208	2" & 2-1/2	11.16	8.41	3.19	7.00	7.62	7.05	5.00	2" & 2-1/2	705030-1-R	
C2515ATZ	40	3/4 & 1"	10.03	8.53	1.94	4.38	5.00	7.05	5.00	1-1/4 & 1-1/2	705028-1-R	
C2515ATZ (2)	208	2" & 2-1/2	11.09	9.09	2.50	5.00	6.12	7.05	5.00	2" & 2-1/2	705029-1-R	
C2815ATZ	188	2"	14.03	10.53	4.25	8.44	7.25	7.62	7.05	2" & 2-1/2	705030-1-R	
C2815ATZ (2)	259	3"	14.47	11.22	4.25	8.44	7.25	7.62	7.05	2" & 2-1/2	705030-1-R	
C2815ATZ (3)	259	4"	15.91	11.84	5.38	10.56	9.00	7.62	7.05	5" (4)	705030-1-R	

FRAME SIZE	STANDARD SIZE						ONE SIZE LARGER					
	MAX. AMPS	AK(3)	AB	AC	AF	AA	AB	AC	AF	AA	PART NUMBER	
C2113ATZ	18	3/4	10.03	8.03	2.50	5.00	5.75	7.05	5.00	1-1/2	705028-2-T	
C2115ATZ	40	1"	10.03	8.03	2.50	5.00	5.75	7.05	5.00	1-1/2	705028-2-T	
C2115ATZ (2)	208	2"	10.97	8.53	3.00	6.00	7.00	7.05	5.00	2-1/2	705029-2-R	
C2515ATZ	18	3/4	10.97	8.53	3.00	6.00	7.00	7.05	5.00	2-1/2	705029-2-R	
C2515ATZ (2)	40	1"	11.09	9.09	2.50	5.00	5.75	7.05	5.00	1-1/2	705028-2-T	
C2515ATZ (3)	96	1-1/2	12.03	9.59	3.00	6.00	7.00	7.05	5.00	2-1/2	705029-2-R	
C2815ATZ	128	2"	12.03	9.59	3.00	6.00	7.00	7.05	5.00	2-1/2	705029-2-R	
C2815ATZ (2)	155	3"	12.78	10.34	3.00	6.00	7.00	7.62	7.05	3"	705030-1-R	
C2815ATZ (3)	155	3"	14.47	11.09	3.62	7.88	9.25	7.62	7.05	3"	705030-1-R	
C2815ATZ (4)	259	4"	15.78	11.59	4.12	9.50	10.50	7.62	7.05	5" (4)	705030-1-R	

FRAME SIZE	STANDARD SIZE						ONE SIZE LARGER					
	AMP(S)	AB	AC	AF	X	Y	AB	AC	AF	X	Y	
C210	100	10.71	8.98	2.72	7.48	7.48	7.48	7.48	7.48	7.48	7.48	
200	11.26	9.25	3.35	8.82	8.82	8.82	8.82	8.82	8.82	8.82	8.82	
100	11.30	9.57	2.72	7.48	7.48	7.48	7.48	7.48	7.48	7.48	7.48	
200	11.85	9.84	3.35	8.82	8.82	8.82	8.82	8.82	8.82	8.82	8.82	
400	17.48	12.75	6.20	14.39	14.39	14.39	14.39	14.39	14.39	14.39	14.39	
800	17.48	12.75	6.20	14.39	14.39	14.39	14.39	14.39	14.39	14.39	14.39	
200	12.60	10.99	3.76	8.82	8.82	8.82	8.82	8.82	8.82	8.82	8.82	
400	18.27	13.54	6.20	14.39	14.39	14.39	14.39	14.39	14.39	14.39	14.39	
800	18.27	13.54	6.20	14.39	14.39	14.39	14.39	14.39	14.39	14.39	14.39	
1600	18.27	13.54	7.68	15.35	15.35	15.35	15.35	15.35	15.35	15.35	15.35	

FRAME SIZE	OPTIONAL AUXILIARY CONDUIT BOX DIMENSIONS (MAXIMUM)					
	XAB	XY	XX	XY	XX	XY
C210	7.38	4.25	4.25	6.02	7.6-A	10.88
C250	8.44	4.25	4.25	6.02	7.6-A	11.88
C280	9.12	4.25	4.25	6.02	7.6-A	12.62

(1) *AM. CONDUIT
(2) STEEL TERMINAL BOX FOR C2113ATZ AND C2515ATZ
(3) *AM. PIPE TAP
(4) TERMINAL BOX 76870-S AND 76870-9R EXTENDS BELOW MOTOR FEET.
TERMINAL BOX CAN BE ROTATED FOR LEAD DULLET AT TOP, SIDES OR BOTTOM.
TERMINAL BOX LOCATED ON OPPOSITE SIDE WHEN F-2, V-1, V-4, V-5, V-7,
OR C-1 MOUNTING IS SPECIFIED. BOX LOCATED ON TOP WHEN SPECIFIED.
FOR *X/P TERMINAL BOX DIMENSIONS SEE 609959-2.
FOR **X/P TERMINAL BOX DIMENSIONS SEE 609959-3.

CUSTOMER IS RESPONSIBLE FOR DETERMINING THAT BALDOR'S PRODUCT WILL PERFORM SUITABLY IN THE INTENDED APPLICATION.

REV. DESC: ADD 706310-63G C/BOX TO C250 AND C280 FRAMES	VERSION: 01	TDR: 000000816512
REV. LTR: A		
FILE: \RGG\00021\153		REVISED: 03:09:09 09/06/2013
MTL: -		BY: RGGWT

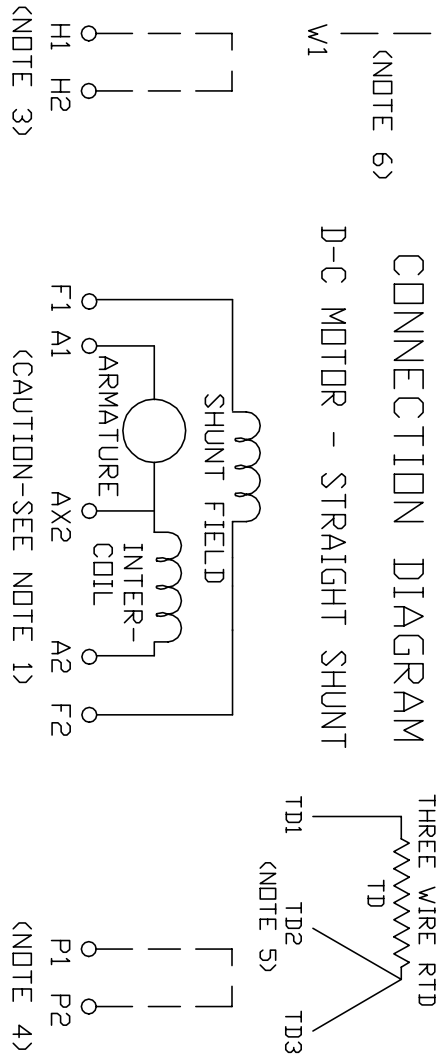


DIMENSION SHEET
SH 1 of 1

609959-001

406770-006

406770-006



ROTATION FACING COMMUTATOR END

1. **CAUTION** — ARMATURE MAY HAVE MULTIPLE LEADS. CONNECT ALL LUGS WITH THE SAME MARKING TOGETHER.
2. OPTIONAL CONTROL SIGNAL LEAD IS MARKED AX2. ALWAYS TAKE INTERPOLE DROP BETWEEN A2 AND AX2. NOTE: NEMA DESIGNATION FOR AX2 IS LETTER C.
3. SPACE HEATERS, WHEN PROVIDED, WILL HAVE LEADS MARKED H1 AND H2, H3, H4, ETC.
4. THERMAL PROTECTOR, WHEN PROVIDED, WILL HAVE LEADS MARKED P1 AND P2, P3, P4, ETC.
5. WINDING RTD'S, WHEN PROVIDED, WILL HAVE LEADS MARKED TD1, TD2, & TD3.
6. BRUSH WEAR SENSOR, WHEN PROVIDED, WILL HAVE LEAD MARKED W1.
7. **WARNING** — MOTOR MUST BE GROUNDED TO PREVENT SERIOUS INJURIES TO PERSONNEL. GROUND THE MOTOR PER IEC, NATIONAL ELECTRICAL CODE AND ANY APPLICABLE LOCAL ELECTRICAL CODES. A TAPPED HOLE IS PROVIDED IN THE CONDUIT BOX, ON THE FOOT. FRAME BRACE OR OPPOSITE OPPOSITE DRIVE END BRACKET, ADJACENT TO THE TERMINAL BOX FOR MOTOR GROUNDING. GROUND LEAD, WHEN PROVIDED, WILL BE GREEN.

CUSTOMER _____ RELIANCE _____
 ORDER NO. _____ S.D. NO. _____

REV. DESC: UPDATE LOGO AND TITLEBLOCK: LOADED TO BUS		
REV. LTR: -	VERSION: 00	TDR: 000000781086
FILE: \RSN\00026\515	REVISED: 02: 41: 08 02/01/2013	
MTL: -	BY: MGHPC	

BALDOR

D-C MOTOR CONNECTION DIAGRAM, STRAIGHT SHUNT

SH 1 of 1