

BALDOR® • RELIANCE 

Product Information Packet

D50150RS-BV

150HP, 1750RPM, DC, 3612ATZ, DPG-FV,

Part Detail							
Revision:	-	Status:	PRD/A	Change #:		Proprietary:	No
Type:	DC	Prod. Type:		Elec. Spec:	G6363D B	CD Diagram:	406770-001
Enclosure:	DP	Mfg Plant:		Mech. Spec:		Layout:	609972-049
Frame:	MC361	Mounting:	F2	Poles:	00	Created Date:	04-09-2015
Base:		Rotation:	R	Insulation:	F	Eff. Date:	04-13-2015
Field Type:		Literature:		Elec. Diagram:		Replaced By:	

Specs			
Enclosure:	DP		
Frame:	MC3612ATZ		
Frame Material:	Steel		
Agency Approvals:	CCSA US		
Base Indicator:	Rigid		
Bearing Grease Type:	Polyrex EM (-20F +300F)		
Drip Cover:	No Drip Cover		
Duty Rating:	CONT		
Feedback Device:	NO FEEDBACK		
Field Winding Type:	STAB SHUNT		
Frame Prefix:	MC		
Heater Indicator:	No Heater		
Insulation Class:	F		
Lifting Lugs:	Standard Lifting Lugs		
Mounting Arrangement:	F2		
Shaft Extension Location:	Pulley End		

Shaft Ground Indicator:	No Shaft Grounding		
Shaft Slinger Indicator:	No Slinger		
Motor Standards:	NEMA		

Nameplate 000613006LP	
CAT.NO.	D50150RS-BV
FR	MC 3612ATZ
ENCL.	DP
ENCL MOD	FORCE VENT
MAX SAFE SPEED	3400
FIELD DATA	
WINDING	STAB SHUNT
VOLTS	300
MAX AMPS @ 25 C	4.81
HOT AMPS	3.47/ 2.98
BRUSH:419904052AF; AIR BAFFLED	
SPEC NO.	T36S1313
HP	150
RPM	1750/ 2000
VOLTS	500
AMPS	240.00
SER.NO.	
DUTY	CONT
S.F.	1.0
INSUL	F
AMB.	40
POWER CODE	C
D.E. BRG.	95BC02J30X
O.D.E. BRG.	80BC02J30X
MIN. AMB.	0
TYPE	TR

Parts List		
Part Number	Description	Quantity
SA297016	SA T36S1313	1.000 EA
AA016067	AA T36S1313	1.000 EA
000613006LP	EXTRUDER DUTY D-C MOTOR W/CSA	1.000 EA
000692000FP	NP, WARNING LIFT INSTRUCTIONS	1.000 EA
000692000FS	WARNING LABEL	1.000 EA
036170004EA	ROUND HEAD DRIVE SCREW	6.000 EA
406770001	C/D TAG (STAB SHUNT)	1.000 EA
036000014JB	M8 X 1.25X14MM HXHDCS	4.000 EA
036000020KB	MHHCS M10-1.5X20MM PLTD.	4.000 EA
036501009AB	M8-1.25 X 9MM HEX NUTS	8.000 EA
036600009AB	METRIC FLWASH M8 PLATED	4.000 EA
036610010AB	MHSLW M10 PLATED	4.000 EA
419904052AF	BRUSH EXTRUDER DUTY C	8.000 EA
419905003A	FLAT WASHER ROCKER RPM III RGG	4.000 EA
419905004A	HARDWARE	8.000 EA
706364052E	BRHLD METRIC SPRING CHG.	4.000 EA
706372012RC	ROCKR METRIC	1.000 EA
034693001AB	PPLG - G508- use 034692001AB	1.000 EA
034693001AB	PPLG - G508- use 034692001AB	1.000 EA
035000001A	ALFTG 1/8" 1610-BL	1.000 EA
035000001BB	GREASE FTG,GRS.IN	1.000 EA
036000075KB	HHCS M10 75MM ZINCPLAT	4.000 EA
036100080KA	M10-1.50X 80MM HXSOCHDCS	4.000 EA
036310012FB	PHMS M4 X 12MM M2	8.000 EA

Parts List (continued)		
Part Number	Description	Quantity
036500013AB	HX NUT,ODE BRKT	4.000 EA
036500013AB	HX NUT,ODE BRKT	4.000 EA
036501006AB	KPNUT M4 ZINC	8.000 EA
048977006C	GRFTG - XP	1.000 EA
049730000L	BPLUG	6.000 EA
412118001B	3/8-16 X 3/4 DRAIN SSTL.	1.000 EA
418057013A	GROMT	4.000 EA
418150003A	GREASE FITTING CAP	2.000 EA
419912001B	W WASHER	1.000 EA
609830005Z	TBOLT METRIC RP609830-	4.000 EA
706311006E	PLATE	1.000 EA
706311006F	INSUL	1.000 EA
706311006X	BAFLE	1.000 EA
801932052A	BRKT,ODE,C360	1.000 EA
801933057B	BRKT,DE,C360	1.000 EA
000613006NT	NAME PLATE IEC	1.000 EA
032018004CK	HHCS 3/8-16X1/2L PLATED	4.000 EA
032018006CK	HHCS 3/8-16X3/4L PLATED	4.000 EA
034017014AB	LCKW 3/8 STD. PLATED	4.000 EA
036000012HB	HHCS M6X12MM LONG PLATED	4.000 EA
036000012JB	M8-1.25 X 12MM HXHDC	3.000 EA
036000020JB	HHCS M8-1.25X20L PLTD-250	6.000 EA
036000020JB	HHCS M8-1.25X20L PLTD-250	6.000 EA
036000045HB	MHHCS M6X45MM PLATED	3.000 EA

Product Information Packet: D50150RS-BV - 150HP,1750RPM,DC,3612ATZ,DPG-FV,

036000045JB	M8-1.25 X 45MM HXHCS	4.000 EA
036010012GB	M5-.8 X 12 HXWHD SCREW	3.000 EA
036010012GB	M5-.8 X 12 HXWHD SCREW	6.000 EA
036620009AB	M8 EXTERNAL LK WASHER	1.000 EA
065564004C	GASKT	1.000 EA
077176001A	CBOXC, PAINTED 360-400	1.000 EA
402731001A	GASK 360-440	1.000 EA
410978010F	FLANGE, INLET BLOWER HSG	1.000 EA
417733004E	GASKT	2.000 EA
418014004A	ADAPT 418014-4WCA	1.000 EA
418018070A	TAG "WARNING THERMOSTA	1.000 EA
418018074A	GROUND LABEL G100 METRIC 160 D.C.	1.000 EA
422919105	HHCVR KIT,C360,DE,SOLID	1.000 EA
422919105	HHCVR KIT,C360,DE,SOLID	1.000 EA
422919105	HHCVR KIT,C360,DE,SOLID	1.000 EA
422919116	HHCVR KIT,C360,ODE,SOLID	1.000 EA
422919116	HHCVR KIT,C360,ODE,SOLID	1.000 EA
422919127	HHCVR KIT,C360,ODE,LEXAN	1.000 EA
603989007C	FILTR	1.000 EA
610409051A	ADAPT	1.000 EA
610490001BW	3//2.5HP,3450//2850RPM,3PH,60//50HZ,145T	1.000 EA
611917001K	GASKT	1.000 EA
611917006Y	SCREEN, HAND HOLE CVR	1.000 EA
611965001E	BLOWER WHEEL	1.000 EA
705034035A	BAFFL	1.000 EA
706303020A	GUARD	2.000 EA

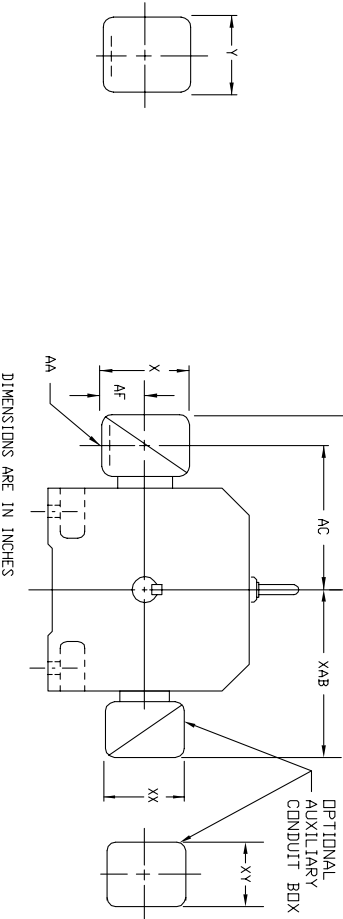
Product Information Packet: D50150RS-BV - 150HP,1750RPM,DC,3612ATZ,DPG-FV,

706303020B	GUARD	2.000 EA
706305026A	GUARD,SHAFT	1.000 EA
706313057J	HOUSING, BLOWER	1.000 EA
706320016A	CONDUIT BOX	1.000 EA
706920004R	FLHSG S MET	1.000 EA
706920007A	FLHSG	1.000 EA
000640000P	TAG WINDING THERMOST	1.000 EA
000692000NG	LABEL ;NP 4POLE METRIC LABEL	1.000 EA
034180034JA	3/4X3/4 X 41/4 L KEY	1.000 EA
418018071	LABEL LABE	1.000 EA

609979-001

INDUSTRIAL DIRECT CURRENT MOTORS AND GENERATORS – RPM III

STEEL AND CAST IRON TERMINAL BOX DIMENSIONS
STANDARD SIZE AND ONE SIZE LARGER
FRAMES C3210ATZ THRU C3613ATZ



DIMENSIONS ARE IN INCHES

FRAME SIZE	STANDARD SIZE						CAST IRON TERMINAL BOX DIMENSIONS								
	MAX AMP'S	AA(1)	AB	AC	AF	Y	PART NUMBER	AA(1)	AB	AC	AF	Y	PART NUMBER		
C3210ATZ	128	2	14.88	11.38	4.25	8.44	7.25	74874-R	3	15.31	12.06	4.25	8.44	7.25	74874-24-R
C3212ATZ	185	3	15.31	12.06	4.25	8.44	7.25	74874-24-R	4	16.75	12.69	5.38	10.56	9.00	700308-3-R
C3214ATZ	269	4	16.75	12.69	5.38	10.56	9.00	700308-3-R	5	21.00	15.88	6.50	12.10	14.62	70658-1-C
C3612ATZ	500	5	21.00	15.88	6.50	12.10	14.62	70658-1-C	5	21.00	15.88	6.50	12.10	14.62	70658-1-C
C3613ATZ	500	5	21.00	15.88	6.50	12.10	14.62	70658-1-C	5	21.00	15.88	6.50	12.10	14.62	70658-1-C

FRAME SIZE	STANDARD SIZE						CAST IRON TERMINAL BOX DIMENSIONS								
	MAX AMP'S	AA(2)	AB	AC	AF	Y	PART NUMBER	AA(2)	AB	AC	AF	Y	PART NUMBER		
C3210ATZ	128	1-1/2	13.62	11.19	3.00	6.00	7.00	7560-R	3	15.31	11.56	3.62	7.88	9.25	76700-RB
C3212ATZ	185	3	15.31	11.56	3.62	7.88	9.25	76700-RB	4	16.62	12.44	4.12	9.50	10.50	76708-R
C3214ATZ	269	4	16.62	12.44	4.12	9.50	10.50	76708-R	5	19.44	14.19	7.00	12.75	15.00	76870-S
C3612ATZ	500	5	19.44	14.19	7.00	12.75	15.00	76870-S	6	19.44	14.19	7.00	12.75	15.00	76870-R
C3613ATZ	500	5	20.44	15.19	7.00	12.75	15.00	76870-S	6	20.44	15.19	7.00	12.75	15.00	76870-R

FRAME SIZE	STANDARD SIZE						OPTIONAL AUXILIARY CONDUIT BOX DIMENSIONS (IEC TYPE BOX)								
	AMP'S	AB	AC	AF	X	AA (3)	Y	PART NUMBER	AB	AC	AF	X	AA (3)	Y	PART NUMBER
C320	400	19.02	15.28	6.20	14.39	---	14.39	706310-63-B	19.02	15.28	6.20	14.39	---	14.39	706310-63-B
	800	19.02	15.28	6.20	14.39	---	14.39	706310-63-B	19.02	15.28	6.20	14.39	---	14.39	706310-63-B
	1600	19.02	15.28	6.20	14.39	---	14.39	706310-63-B	19.02	15.28	6.20	14.39	---	14.39	706310-63-B
C360	400	20.00	15.28	6.20	14.39	---	14.39	706310-63-B	20.00	15.28	6.20	14.39	---	14.39	706310-63-B
	800	20.00	15.28	6.20	14.39	---	14.39	706310-63-B	20.00	15.28	6.20	14.39	---	14.39	706310-63-B
	1600	20.00	15.28	6.20	14.39	---	14.39	706310-63-B	20.00	15.28	6.20	14.39	---	14.39	706310-63-B

FRAME SIZE	STANDARD SIZE						OPTIONAL AUXILIARY CONDUIT BOX DIMENSIONS (MAXIMUM)					
	XAB	XX	XY	PART NUMBER	XAB	XX	XY	PART NUMBER	XAB	XX	XY	PART NUMBER
C320	10.00	4.25	4.25	602007-26-A	C320	13.50	8.00	706310-3-B	14.50	8.00	8.00	706310-3-B
C360	11.00	4.25	4.25	602007-26-A	C360	14.50	8.00	706310-3-B	14.50	8.00	8.00	706310-3-B

- (1) "AA" CONDUIT
- (2) "AA" PIPE TAB
- (3) CUSTOMER TO PROVIDE HOLE FOR CONDUIT.
- TERMINAL BOX CAN BE ROTATED FOR LEAD OUTLET AT TOP, SIDES OR BOTTOM.
- TERMINAL BOX LOCATED ON OPPOSITE SIDE WHEN F-2, V-1, V-4, W-5, V-7.
- OR C-1 MOUNTING IS SPECIFIED. BOX LOCATED ON TOP WHEN SPECIFIED.
- FOR "X/P" TERMINAL BOX DIMENSIONS SEE 609979-0579-3.
- FOR "Y/P" TERMINAL BOX DIMENSIONS SEE 609979-0579-3.

CUSTOMER IS RESPONSIBLE FOR DETERMINING THAT BALDOR'S PRODUCT WILL PERFORM SUITABLY IN THE INTENDED APPLICATION.

REV. DESC: LOAD TO BUS	VERSION: 00	TDR: 000000958110
REV. LTR: -	REVISED: 08:37:45 12/17/2015	BY: RGGWT
FILE: \RGG\00026\318		
MTL: -		

BALDOR

DIM SHT,C3210ATZ THRU C3613ATZ,W/AUX C/BOX

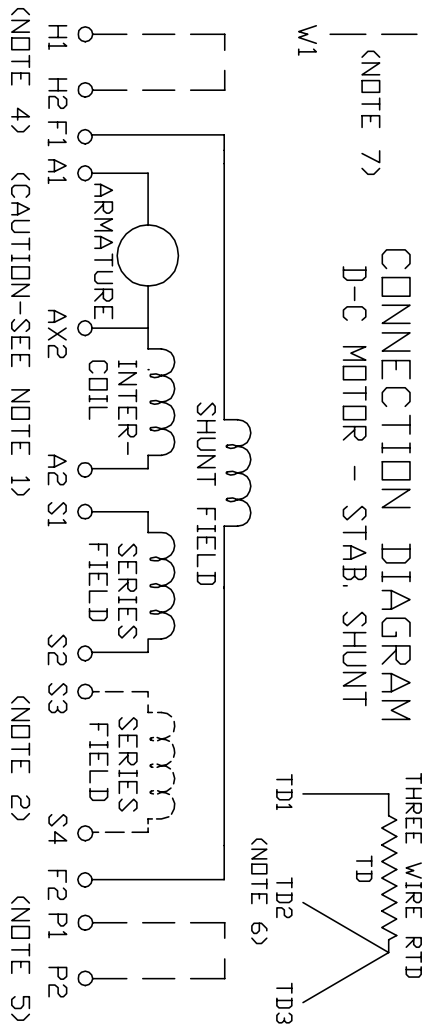
SH 1 of 1

100-646609

406770-001

406770-001

**CONNECTION DIAGRAM
D-C MOTOR - STAB. SHUNT**



ARMATURE AND FIELD EXTERNAL CONNECTIONS
WARNING- SEE NOTE 8 FOR GROUNDING INSTRUCTIONS



ROTATION FACING COMMUTATOR END

1. **CAUTION** — ARMATURE AND SERIES FIELD MAY HAVE MULTIPLE LEADS. CONNECT ALL LUGS WITH THE SAME MARKING TOGETHER.
 2. OPTIONAL SERIES FIELD IS MARKED S3 AND S4. FOR CUMULATIVE SERIES FIELD, CONNECT S3 TO S2 AND CONNECT S4 TO NEGATIVE. FOR DIFFERENTIAL SERIES FIELD CONNECT S4 TO S2 AND S3 TO NEGATIVE.
 3. OPTIONAL CONTROL SIGNAL LEAD IS MARKED AX2. ALWAYS TAKE INTERPOLE DROP BETWEEN A2 AND AX2. NOTE: NEMA DESIGNATION FOR AX2 IS LETTER C.
 4. SPACE HEATERS, WHEN PROVIDED, WILL HAVE LEADS MARKED H1 AND H2, H3, H4, ETC.
 5. THERMAL PROTECTOR, WHEN PROVIDED, WILL HAVE LEADS MARKED P1 AND P2, P3, P4, ETC.
 6. WINDING RTD'S, WHEN PROVIDED, WILL HAVE LEADS MARKED TD1, TD2, & TD3
 7. BRUSH WEAR SENSOR, WHEN PROVIDED, WILL HAVE LEAD MARKED W1.
 8. **WARNING** — MOTOR MUST BE GROUNDED TO PREVENT SERIOUS INJURIES TO PERSONNEL. GROUND THE MOTOR PER IEC, NATIONAL ELECTRICAL CODE AND ANY APPLICABLE LOCAL ELECTRICAL CODES. A TAPPED HOLE IS PROVIDED IN THE CONDUIT BOX, ON THE FOOT. FRAME BRACE OR OPPOSITE DRIVE END BRACKET, ADJACENT TO THE TERMINAL BOX FOR MOTOR GROUNDING. GROUND LEAD, WHEN PROVIDED, WILL BE GREEN.
- CUSTOMER _____ RELIANCE
ORDER NO. _____ S.D. NO. _____

REV. DESC: DELETED DUPLICATE WORDS FROM NOTE 8

REV. LTR: A

VERSION: 01

TDR: 000000970330

FILE: \RSN\00026\422

REVISED: 10:19:12 03/11/2016

BY: RAGTBM

MTL: -

BALDOR

D-C MOTOR CONNECTION DIAGRAM STAB. SHUNT

SH 1 of 1