

**BALDOR® • RELIANCE** 

**Product Information Packet**

**D50200RS-BV**

**200HP, 1750RPM, DC, 3612ATZ, DPG-FV,**

Part Detail							
Revision:	-	Status:	PRD/A	Change #:		Proprietary:	No
Type:	DC	Prod. Type:		Elec. Spec:	G7619A A	CD Diagram:	406770-001
Enclosure:	DP	Mfg Plant:		Mech. Spec:		Layout:	609972-049
Frame:	LC361	Mounting:	F2	Poles:	00	Created Date:	04-09-2015
Base:		Rotation:	R	Insulation:	F	Eff. Date:	04-13-2015
Field Type:		Literature:		Elec. Diagram:		Replaced By:	

Specs			
Enclosure:	DP		
Frame:	LC3612ATZ		
Frame Material:	Exposed Laminations		
Agency Approvals:	CCSA US		
Base Indicator:	Rigid		
Bearing Grease Type:	Polyrex EM (-20F +300F)		
Drip Cover:	No Drip Cover		
Duty Rating:	CONT		
Feedback Device:	NO FEEDBACK		
Field Winding Type:	STAB SHUNT		
Frame Prefix:	LC		
Heater Indicator:	No Heater		
Insulation Class:	F		
Lifting Lugs:	Standard Lifting Lugs		
Mounting Arrangement:	F2		
Shaft Extension Location:	Pulley End		

<b>Shaft Ground Indicator:</b>	No Shaft Grounding		
<b>Shaft Slinger Indicator:</b>	No Slinger		
<b>Motor Standards:</b>	NEMA		

<b>Nameplate 000613006LP</b>	
<b>CAT.NO.</b>	D50200RS-BV
<b>FR</b>	LC 3612ATZ
<b>ENCL.</b>	DP
<b>ENCL MOD</b>	FORCE VENT
<b>MAX SAFE SPEED</b>	3400
<b>FIELD DATA</b>	
<b>WINDING</b>	STAB SHUNT
<b>VOLTS</b>	300
<b>MAX AMPS @ 25 C</b>	5.41
<b>HOT AMPS</b>	3.91/ 3.29
BRUSH:419904052AB; AIR BAFFLED	
<b>SPEC NO.</b>	T36S1314
<b>HP</b>	200
<b>RPM</b>	1750/ 2000
<b>VOLTS</b>	500
<b>AMPS</b>	321.00
<b>SER.NO.</b>	
<b>DUTY</b>	CONT
<b>S.F.</b>	1.0
<b>INSUL</b>	F
<b>AMB.</b>	40
<b>POWER CODE</b>	C
<b>D.E. BRG.</b>	95BC02J30X
<b>O.D.E. BRG.</b>	80BC02J30X
<b>MIN. AMB.</b>	0
<b>TYPE</b>	TR

Parts List		
Part Number	Description	Quantity
SA297015	SA T36S1314	1.000 EA
AA016066	AA T36S1314	1.000 EA
000613006LP	EXTRUDER DUTY D-C MOTOR W/CSA	1.000 EA
000692000FP	NP, WARNING LIFT INSTRUCTIONS	1.000 EA
000692000FS	WARNING LABEL	1.000 EA
036170004EA	ROUND HEAD DRIVE SCREW	6.000 EA
406770001	C/D TAG (STAB SHUNT)	1.000 EA
036000014JB	M8 X 1.25X14MM HXHDCS	4.000 EA
036000020KB	MHHCS M10-1.5X20MM PLTD.	4.000 EA
036501009AB	M8-1.25 X 9MM HEX NUTS	8.000 EA
036600009AB	METRIC FLWASH M8 PLATED	4.000 EA
036610010AB	MHSLW M10 PLATED	4.000 EA
419904-52AB	BRUSH C	8.000 EA
419905003A	FLAT WASHER ROCKER RPM III RGG	4.000 EA
419905004A	HARDWARE	8.000 EA
706364052F	BRHLD METRIC SPRING CHG.	4.000 EA
706372012RC	ROCKR METRIC	1.000 EA
004824015A	GREASE POLYREX EM	0.600 LB
034693001AB	PPLG - G508- use 034692001AB	1.000 EA
034693001AB	PPLG - G508- use 034692001AB	1.000 EA
035000001A	ALFTG 1/8" 1610-BL	1.000 EA
035000001BB	GREASE FTG,GRS.IN	1.000 EA
036000075KB	HHCS M10 75MM ZINCPLAT	4.000 EA
036100080KA	M10-1.50X 80MM HXSOCHDCS	4.000 EA

Parts List (continued)		
Part Number	Description	Quantity
036310012FB	PHMS M4 X 12MM M2	8.000 EA
036500013AB	HX NUT,ODE BRKT	4.000 EA
036500013AB	HX NUT,ODE BRKT	4.000 EA
036501006AB	KPNUT M4 ZINC	8.000 EA
048977006C	GRFTG - XP	1.000 EA
049730000L	BPLUG	6.000 EA
412118001B	3/8-16 X 3/4 DRAIN SSTL.	1.000 EA
418057013A	GROMT	4.000 EA
418150003A	GREASE FITTING CAP	2.000 EA
419912001B	W WASHER	1.000 EA
609830005AA	TBOLT METRIC RP609830-	4.000 EA
706311006E	PLATE	1.000 EA
706311006F	INSUL	1.000 EA
706311006X	BAFLE	1.000 EA
801932052A	BRKT,ODE,C360	1.000 EA
801933057B	BRKT,DE,C360	1.000 EA
000613006NT	NAME PLATE IEC	1.000 EA
032018004CK	HHCS 3/8-16X1/2L PLATED	4.000 EA
032018006CK	HHCS 3/8-16X3/4L PLATED	4.000 EA
036000025JB	HHCS M8X25MM LONG PLATED	4.000 EA
034017014AB	LCKW 3/8 STD. PLATED	4.000 EA
036000012JB	M8-1.25 X 12MM HXHDC	3.000 EA
036000016KB	HHCSM10-1.5X16MM PLTD-280	2.000 EA
036000020JB	HHCS M8-1.25X20L PLTD-250	6.000 EA

Product Information Packet: D50200RS-BV - 200HP,1750RPM,DC,3612ATZ,DPG-FV,

036000020JB	HHCS M8-1.25X20L PLTD-250	6.000 EA
036000045HB	MHHCS M6X45MM PLATED	3.000 EA
036010012GB	M5-.8 X 12 HXWHD SCREW	3.000 EA
036010012GB	M5-.8 X 12 HXWHD SCREW	6.000 EA
036010020HB	SEMS SCR,BRHLDR	8.000 EA
036100035JA	M8-1.25 X 35MM HXSOCHDCS	4.000 EA
036620009AB	M8 EXTERNAL LK WASHER	1.000 EA
036620010AB	M10 EXT. TOOTH LK WASHER	2.000 EA
065564004C	GASKT	1.000 EA
410978010F	FLANGE, INLET BLOWER HSG	1.000 EA
410978015A	GRILL, INLET FLANGE	1.000 EA
415000103F	TLUG	1.000 EA
417733004F	GASKT	1.000 EA
418014011A	ADAPT	1.000 EA
418018070A	TAG "WARNING THERMOSTA	1.000 EA
418018074A	GROUND LABEL G100 METRIC 160 D.C.	3.000 EA
418153001A	GASK 440	1.000 EA
422919105	HHCVR KIT,C360,DE,SOLID	1.000 EA
422919105	HHCVR KIT,C360,DE,SOLID	1.000 EA
422919105	HHCVR KIT,C360,DE,SOLID	1.000 EA
422919116	HHCVR KIT,C360,ODE,SOLID	1.000 EA
422919116	HHCVR KIT,C360,ODE,SOLID	1.000 EA
422919127	HHCVR KIT,C360,ODE,LEXAN	1.000 EA
603529001L	GASKT	1.000 EA
603989007C	FILTR	1.000 EA
610409051A	ADAPT	1.000 EA

Product Information Packet: D50200RS-BV - 200HP,1750RPM,DC,3612ATZ,DPG-FV,

610490001BW	3//2.5HP,3450//2850RPM,3PH,60//50HZ,145T	1.000 EA
611917001K	GASKT	1.000 EA
611917006Y	SCREEN, HAND HOLE CVR	1.000 EA
611965001E	BLOWER WHEEL	1.000 EA
702658001C	CONDUIT BOX, STEEL, E440 5" LEAD OUTLET	1.000 EA
702658002A	+C/BOX CVR, PAINTED 440	1.000 EA
705034035A	BAFFL	1.000 EA
706303020A	GUARD	2.000 EA
706303020B	GUARD	2.000 EA
706305026A	GUARD,SHAFT	1.000 EA
706313057J	HOUSING, BLOWER	1.000 EA
706920004R	FLHSG S MET	1.000 EA
706920007A	FLHSG	1.000 EA
000640000P	TAG WINDING THERMOST	1.000 EA
000692000NG	LABEL ;NP 4POLE METRIC LABEL	1.000 EA
004824007K	SPECIAL PAINT	0.300 EA
034180034JA	3/4X3/4 X 41/4 L KEY	1.000 EA
418018071	LABEL LABE	1.000 EA



609972-049

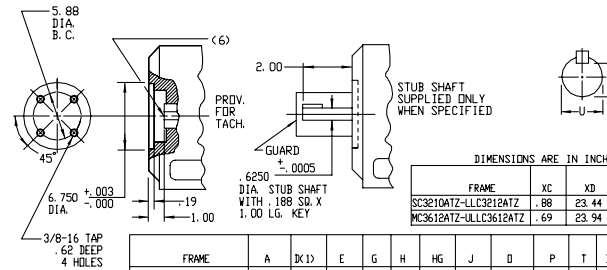
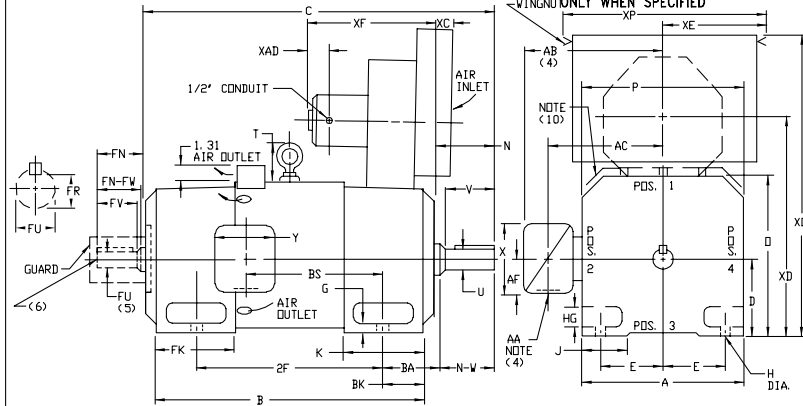
## INDUSTRIAL DIRECT CURRENT MOTORS AND GENERATORS - RPM III

ENCLOSURE: DRIP-PROOF FULLY-GUARDED,  
SPLASHPROOF  
MOUNTING: FOOT

COOLING: FORCE VENTILATED WITH  
INTEGRAL BLOWER AND  
MOTOR AIR FILTERED-  
SPECIAL BAFFLE

ACCESSORIES: PROVISION FOR  
TACHOMETER MOUNTING  
WINGNUT ONLY WHEN SPECIFIED

FRAMES SC3210ATZ THRU ULLC3612ATZ



DIMENSIONS ARE IN INCHES

FRAME	XC	XD	XE	XF	XD	XP	XAD
SC3210ATZ-LLC3212ATZ	.88	23.44	11.25	17.69	38.63	22.50	3.06
MC3612ATZ-ULLC3612ATZ	.69	23.94	9.83	18.81	38.25	22.50	(11)

FRAME	A	B	D(1)	E	G	H	HG	J	D	P	T	BA	K	STB.	LG(B)	BK
SC3210ATZ-LLC3212ATZ	15.50	8.00	6.25	.75	.69	2.25	3.00	15.81	15.62	4.25	6.75	7.94	10.44	4.00		
MC3612ATZ-ULLC3612ATZ	17.50	9.00	7.00	.88	.81	2.62	3.50	17.81	17.62	4.25	8.88	7.25	8.56	10.31	4.62	

FRAME	METHOD OF DRIVE	C(7)		B		DRIVE END SHAFT AND KEY										WT. LBS.						
		STD.	LG(B)	STD.	LG(B)	N	N-W	UK(2)	V	R(3)	SQ. LGTH.	FN	FN-FV	FK(2)	FV		FR(3)	SQ. LGTH.				
SC3210ATZ-LLC3212ATZ	(9)	36.25	38.75	28.31	30.81	13.38	20.00	5.50	5.25	2.625	5.00	2.275	625	4.00	4.75	4.50	2.250	4.25	1.972	500	3.25	1115
MC3212ATZ-LLC3212ATZ	(9)	39.25	41.75	31.31	33.81	16.38	25.00	5.50	5.25	2.625	5.00	2.275	625	4.00	4.75	4.50	2.250	4.25	1.972	500	3.25	1210
LC3212ATZ-LLC3212ATZ	(9)	41.25	43.75	33.31	35.81	18.38	25.00	5.50	5.25	2.625	5.00	2.275	625	4.00	4.75	4.50	2.250	4.25	1.972	500	3.25	1290
UMC3212ATZ-ULLC3212ATZ	BELTED	39.75	42.25	31.31	33.81	16.38	25.00	6.00	5.75	2.875	5.50	2.450	750	4.25	4.75	4.50	2.250	4.25	1.972	500	3.25	1180
MC3612ATZ-LLC3612ATZ	COUPLED	42.88	44.62	34.44	36.19	18.12	28.00	6.00	5.75	2.875	5.50	2.450	750	4.25	6.00	5.75	2.875	5.50	2.450	750	4.25	1685
UMC3612ATZ-ULLC3612ATZ	BELTED	43.62	45.38	34.44	36.19	18.12	28.00	6.75	6.50	3.250	6.25	2.831	750	5.00	6.00	5.75	2.875	5.50	2.450	750	4.25	1695
LC3612ATZ-LLC3612ATZ	COUPLED	46.62	48.38	38.19	39.94	21.88	28.00	6.00	5.75	2.875	5.50	2.450	750	4.25	6.00	5.75	2.875	5.50	2.450	750	4.25	1850
ULLC3612ATZ-ULLC3612ATZ	BELTED	47.38	49.12	38.19	39.94	21.88	28.00	6.75	6.50	3.250	6.25	2.831	750	5.00	6.00	5.75	2.875	5.50	2.450	750	4.25	1860

- (1) "D" DIMENSION WILL NOT BE EXCEEDED. SHIMS UP .06 INCHES IN THICKNESS ARE USUALLY REQUIRED FOR COUPLED OR GEARED MACHINES.
- (2) "U" AND "FU" VARY---.000 - .001
- (3) "R" AND "FR" VARY---.000 - .015
- (4) TERMINAL BOX VARIES WITH H.P. FOR DIMENSIONS "AA", "AB", "AC", "AF", "Y" AND "Y". REFER TO BOX D/S. (STD. 609979-1, "X"HP 609979-2, MILL 609979-3)
- (5) OPPOSITE DRIVE END SHAFT SUPPLIED ONLY WHEN SPECIFIED.
- (6) MOTOR SHAFT TAPPED FOR SCREW IN STUB SHAFT.
- (7) WHEN THE MOTOR APPLICATION DOES NOT REQUIRE THE USE OF DPP, DRIVE END, ADD .25 TO "C" DIM. FOR BRACKET COVER.
- (8) DIMENSION FOR FRAMES WITH PREFIX LSC, LMC, LLC, ULMC, OR ULLC.
- (9) METHOD OF DRIVE: COUPLED OR BELTED.
- (10) FOR HORIZONTAL APPLICATIONS ONLY.
- (11) "XAD" DIMENSION IS NOT APPLICABLE TO C360 FRAMES. (BLOWER MOTOR HAS CONDUIT BOX.)

CUSTOMER IS RESPONSIBLE FOR DETERMINING THAT BALDOR'S PRODUCT WILL PERFORM SUITABLY IN THE INTENDED APPLICATION.

REV. DESC: LOADED TO BUS	VERSION: 00	TDR: 000000577407
REV. LTR: -	REVISED: 01:15:54 01/26/2011	BY: CONNAS
FILE: \RGG\00015\628		
MTL: -		

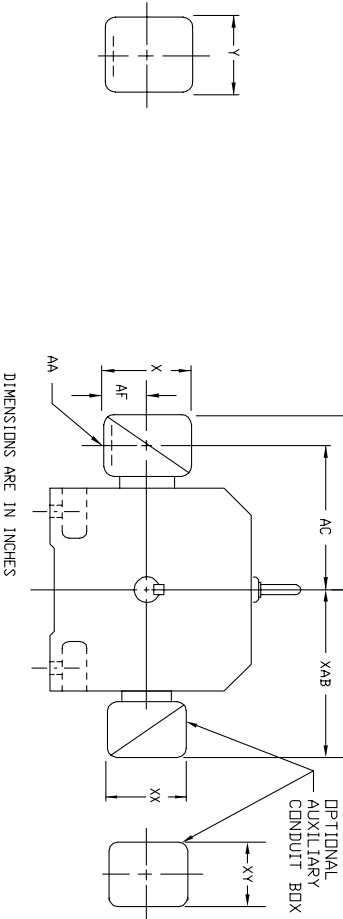
**BALDOR**  
DIMENSION DRAWING, SC3210ATZ - ULLC3612ATZ, DPP, FOOT MTG.  
SH 1 of 1

609972-049

609979-001

# INDUSTRIAL DIRECT CURRENT MOTORS AND GENERATORS – RPM III

STEEL AND CAST IRON TERMINAL BOX DIMENSIONS  
STANDARD SIZE AND ONE SIZE LARGER  
FRAMES C3210ATZ THRU C3613ATZ



STEEL TERMINAL BOX DIMENSIONS

FRAME SIZE	STANDARD SIZE						ONE SIZE LARGER								
	MAX. AMP'S	AA(1)	AB	AC	AF	Y	AA(1)	AB	AC	AF	Y				
C3210ATZ	128	2	14.88	11.38	4.25	8.44	7.25	74874-R	3	15.31	12.06	4.25	8.44	7.25	74874-24-R
C3212ATZ	185	3	15.31	12.06	4.25	8.44	7.25	74874-24-R	4	16.75	12.69	5.38	10.56	9.00	700308-3-R
C3214ATZ	269	4	16.75	12.69	5.38	10.56	9.00	700308-3-R	5	21.00	15.88	6.50	12.10	14.62	702658-1-C
	500	5	21.00	15.88	6.50	12.10	14.62	702658-1-C	5	21.00	15.88	6.50	12.10	14.62	702658-1-C
C3612ATZ	128	2	15.88	12.38	4.25	8.44	7.25	74874-R	3	16.31	13.06	4.25	8.44	7.25	74874-24-R
C3613ATZ	185	3	16.31	13.06	4.25	8.44	7.25	74874-24-R	4	17.75	13.69	5.38	10.56	9.00	700308-3-R
	269	4	17.75	13.69	5.38	10.56	9.00	700308-3-R	5	22.00	15.88	6.50	12.10	14.62	702658-1-C
	500	5	22.00	15.88	6.50	12.10	14.62	702658-1-C	5	22.00	15.88	6.50	12.10	14.62	702658-1-C

CAST IRON TERMINAL BOX DIMENSIONS

FRAME SIZE	STANDARD SIZE						ONE SIZE LARGER								
	MAX. AMP'S	AA(2)	AB	AC	AF	Y	AA(2)	AB	AC	AF	Y				
C3210ATZ	128	1-1/2	13.62	11.19	3.00	6.00	7.00	7560-R	3	15.31	11.56	3.62	7.88	9.25	76700-RB
C3212ATZ	185	3	15.31	11.56	3.62	7.88	9.25	76700-RB	4	16.62	12.44	4.12	9.50	10.50	76708-RR
C3214ATZ	269	4	16.62	12.44	4.12	9.50	10.50	76708-RR	5	19.44	14.19	7.00	12.75	15.00	76870-S
	500	5	19.44	14.19	7.00	12.75	15.00	76870-S	6	19.44	14.19	7.00	12.75	15.00	76870-S
C3612ATZ	128	1-1/2	14.62	12.19	3.00	6.00	7.00	7560-R	3	16.31	12.56	3.62	7.88	9.25	76700-RB
C3613ATZ	185	3	16.31	12.56	3.62	7.88	9.25	76700-RB	4	17.62	13.44	4.12	9.50	10.50	76708-RR
	269	4	17.62	13.44	4.12	9.50	10.50	76708-RR	5	20.44	15.19	7.00	12.75	15.00	76870-S
	500	5	20.44	15.19	7.00	12.75	15.00	76870-S	6	20.44	15.19	7.00	12.75	15.00	76870-S

CONDUIT BOX DIMENSIONS WITH TERMINAL BOARDS (IEC TYPE BOX)

FRAME SIZE	STANDARD SIZE						ONE SIZE LARGER					
	AMP'S	AB	AC	AF	X	AA (3)	Y	PART NUMBER				
C320	400	19.02	15.28	6.20	14.39	---	14.39	706310-63-B				
	800	19.02	15.28	6.20	14.39	---	14.39	706310-63-B				
	1600	19.02	15.28	7.68	15.35	---	15.35	706310-63-C				
C360	400	20.00	15.28	6.20	14.39	---	14.39	706310-63-B				
	800	20.00	15.28	6.20	14.39	---	14.39	706310-63-B				
	1600	20.00	15.28	7.68	15.35	---	15.35	706310-63-C				

FRAME SIZE	OPTIONAL AUXILIARY CONDUIT BOX DIMENSIONS (MAXIMUM)							
	XAB	XX	XY	PART NUMBER	XAB	XX	XY	PART NUMBER
C320	10.00	4.25	4.25	602007-26-A	C320	13.50	8.00	706310-3-B
C360	11.00	4.25	4.25	602007-26-A	C360	14.50	8.00	706310-3-B

- (1) AA' CONDUIT
- (2) AA' PIPE TAB
- (3) CUSTOMER TO PROVIDE HOLE FOR CONDUIT.
- TERMINAL BOX CAN BE ROTATED FOR LEAD OUTLET AT TOP, SIDES OR BOTTOM.
- TERMINAL BOX LOCATED ON OPPOSITE SIDE WHEN F-2, V-1, V-4, W-5, V-7.
- OR C-1 MOUNTING IS SPECIFIED. BOX LOCATED ON TOP WHEN SPECIFIED.
- FOR X/P TERMINAL BOX DIMENSIONS SEE 609979-659-3.
- FOR Y/P TERMINAL BOX DIMENSIONS SEE 609979-659-3.

CUSTOMER IS RESPONSIBLE FOR DETERMINING THAT BALDOR'S PRODUCT WILL PERFORM SUITABLY IN THE INTENDED APPLICATION.

REV. DESC: LOAD TO BUS	VERSION: 00	TDR: 000000958110
REV. LTR: -	REVISED: 08:37:45 12/17/2015	BY: RGGWT
FILE: \\RGC\00026\318		
MTL: -		

**BALDOR**

DIM SHT,C3210ATZ THRU C3613ATZ,W/AUX C/BOX

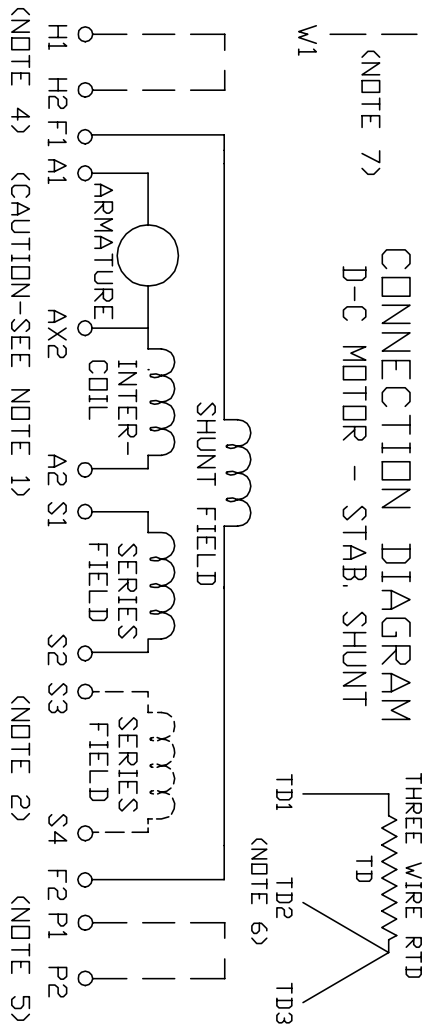
SH 1 of 1

100-646609

406770-001

406770-001

**CONNECTION DIAGRAM**  
D-C MOTOR - STAB. SHUNT



ARMATURE AND FIELD EXTERNAL CONNECTIONS  
WARNING- SEE NOTE 8 FOR GROUNDING INSTRUCTIONS



ROTATION FACING COMMUTATOR END

- CAUTION** — ARMATURE AND SERIES FIELD MAY HAVE MULTIPLE LEADS. CONNECT ALL LUGS WITH THE SAME MARKING TOGETHER.
  - OPTIONAL SERIES FIELD IS MARKED S3 AND S4. FOR CUMULATIVE SERIES FIELD, CONNECT S3 TO S2 AND CONNECT S4 TO NEGATIVE. FOR DIFFERENTIAL SERIES FIELD CONNECT S4 TO S2 AND S3 TO NEGATIVE.
  - OPTIONAL CONTROL SIGNAL LEAD IS MARKED AX2. ALWAYS TAKE INTERPOLE DROP BETWEEN A2 AND AX2. NOTE: NEMA DESIGNATION FOR AX2 IS LETTER C.
  - SPACE HEATERS, WHEN PROVIDED, WILL HAVE LEADS MARKED H1 AND H2, H3, H4, ETC.
  - THERMAL PROTECTOR, WHEN PROVIDED, WILL HAVE LEADS MARKED P1 AND P2, P3, P4, ETC.
  - WINDING RTD'S, WHEN PROVIDED, WILL HAVE LEADS MARKED TD1, TD2, & TD3
  - BRUSH WEAR SENSOR, WHEN PROVIDED, WILL HAVE LEAD MARKED W1.
  - WARNING** — MOTOR MUST BE GROUNDED TO PREVENT SERIOUS INJURIES TO PERSONNEL. GROUND THE MOTOR PER IEC, NATIONAL ELECTRICAL CODE AND ANY APPLICABLE LOCAL ELECTRICAL CODES. A TAPPED HOLE IS PROVIDED IN THE CONDUIT BOX, ON THE FOOT. FRAME BRACE OR OPPOSITE DRIVE END BRACKET, ADJACENT TO THE TERMINAL BOX FOR MOTOR GROUNDING. GROUND LEAD, WHEN PROVIDED, WILL BE GREEN.
- CUSTOMER \_\_\_\_\_ RELIANCE  
CUSTOMER ORDER NO. \_\_\_\_\_ S.D. NO. \_\_\_\_\_

REV. DESC: DELETED DUPLICATE WORDS FROM NOTE 8		
REV. LTR: A	VERSION: 01	TDR: 000000970330
FILE: \RSN\00026\422	REVISED: 10:19:12 03/11/2016	BY: RAGTBM
MTL: -		

**BALDOR**

D-C MOTOR CONNECTION DIAGRAM STAB. SHUNT

SH 1 of 1