

**BALDOR® • RELIANCE** 

**Product Information Packet**

**D51125RR-BV**

**125HP, 1150RPM, DC, 3214ATZ, DPG-FV,**

| Part Detail |       |             |       |                |          |               |            |
|-------------|-------|-------------|-------|----------------|----------|---------------|------------|
| Revision:   | -     | Status:     | PRD/A | Change #:      |          | Proprietary:  | No         |
| Type:       | DC    | Prod. Type: |       | Elec. Spec:    | G8386A B | CD Diagram:   | 406770-006 |
| Enclosure:  | DP    | Mfg Plant:  |       | Mech. Spec:    |          | Layout:       | 616032-001 |
| Frame:      | UC321 | Mounting:   | F2    | Poles:         | 00       | Created Date: | 04-09-2015 |
| Base:       |       | Rotation:   | R     | Insulation:    | F        | Eff. Date:    | 04-13-2015 |
| Field Type: |       | Literature: |       | Elec. Diagram: |          | Replaced By:  |            |

| Specs                     |                         |  |  |
|---------------------------|-------------------------|--|--|
| Enclosure:                | DP                      |  |  |
| Frame:                    | UC3214ATZ               |  |  |
| Frame Material:           | Exposed Laminations     |  |  |
| Base Indicator:           | Rigid                   |  |  |
| Bearing Grease Type:      | Polyrex EM (-20F +300F) |  |  |
| Drip Cover:               | No Drip Cover           |  |  |
| Duty Rating:              | CONT                    |  |  |
| Feedback Device:          | NO FEEDBACK             |  |  |
| Field Winding Type:       | STR. SHUNT              |  |  |
| Frame Prefix:             | UC                      |  |  |
| Heater Indicator:         | No Heater               |  |  |
| Insulation Class:         | F                       |  |  |
| Lifting Lugs:             | Standard Lifting Lugs   |  |  |
| Mounting Arrangement:     | F2                      |  |  |
| Shaft Extension Location: | Pulley End              |  |  |
| Shaft Ground Indicator:   | No Shaft Grounding      |  |  |

|                                 |            |  |  |
|---------------------------------|------------|--|--|
| <b>Shaft Slinger Indicator:</b> | No Slinger |  |  |
| <b>Motor Standards:</b>         | NEMA       |  |  |

|                              |                   |
|------------------------------|-------------------|
| <b>Nameplate 000613006GA</b> |                   |
| <b>CAT.NO.</b>               | D51125RR-BV       |
| <b>FRAME</b>                 | UC 3214ATZ        |
| <b>ENCL.</b>                 | DP                |
| <b>ENCL MOD</b>              | FORCE VENT        |
| <b>MAX SAFE SPEED</b>        | 3600              |
|                              | <b>FIELD-DATA</b> |
| <b>WINDING</b>               | STR. SHUNT        |
| <b>FLD-VOLTS</b>             | 300               |
| <b>MAX AMPS @ 25 C</b>       | 8.37              |
| <b>HOT-AMPS</b>              | 5.96/ 2.80        |
|                              | BRUSH:419904052Z  |
|                              |                   |
|                              |                   |
|                              |                   |
| <b>SPEC NO.</b>              | T32T1327          |
| <b>HP</b>                    | 125               |
| <b>RPM</b>                   | 1150/ 2000        |
| <b>ARM-VOLTS</b>             | 500               |
| <b>AMPS</b>                  | 204.00            |
| <b>SER.NO.</b>               |                   |
| <b>POWER-CODE</b>            | C                 |
| <b>MIN. AMB.</b>             | 0                 |
| <b>DUTY</b>                  | CONT              |
| <b>S.F.</b>                  | 1.0               |
| <b>AMB.</b>                  | 40                |
| <b>INSUL</b>                 | F                 |
| <b>DRIVE END BEARING</b>     | 85RU02M30X        |
| <b>OPP D.E. BEARING</b>      | 65BC02J30X        |
| <b>TYPE</b>                  | TR                |

| Parts List  |                                |          |
|-------------|--------------------------------|----------|
| Part Number | Description                    | Quantity |
| SA297028    | SA T32T1327                    | 1.000 EA |
| AA016079    | AA T32T1327                    | 1.000 EA |
| 000613006GA | RPM III D-C MOTOR W/OUT LOGO   | 1.000 EA |
| 000692000FP | NP, WARNING LIFT INSTRUCTIONS  | 1.000 EA |
| 000692000FS | WARNING LABEL                  | 1.000 EA |
| 418057747A  | METAL FASTENER                 | 8.000 EA |
| 406770006   | C/D TAG STRAIGHT SHUNT         | 1.000 EA |
| 416822013AD | NU217 AFBMA3 BRS RBEC1 S SLUSH | 1.000 EA |
| 036000014JB | M8 X 1.25X14MM HXHDCS          | 4.000 EA |
| 036000020KB | MHHCS M10-1.5X20MM PLTD.       | 4.000 EA |
| 036501009AB | M8-1.25 X 9MM HEX NUTS         | 8.000 EA |
| 036600009AB | METRIC FLWASH M8 PLATED        | 4.000 EA |
| 036610010AB | MHSLW M10 PLATED               | 4.000 EA |
| 419904-52Z  | BRUSH C                        | 8.000 EA |
| 419905003A  | FLAT WASHER ROCKER RPM III RGG | 4.000 EA |
| 419905004A  | HARDWARE                       | 8.000 EA |
| 706364052D  | BRHLD METRIC SPRING CHG.       | 4.000 EA |
| 706372012RA | ROCKR METRIC                   | 1.000 EA |
| 004824015A  | GREASE POLYREX EM              | 0.400 LB |
| 034693001AB | PPLG - G508- use 034692001AB   | 1.000 EA |
| 034693001AB | PPLG - G508- use 034692001AB   | 1.000 EA |
| 035000001A  | ALFTG 1/8" 1610-BL             | 1.000 EA |
| 035000001BB | GREASE FTG,GRS.IN              | 1.000 EA |
| 036000060KB | HHCS,DE CAP                    | 3.000 EA |

| Parts List (continued) |   |          |
|------------------------|---|----------|
| Part Number            | Description                             | Quantity |
| 036100060JA            | M8-1.25 X 60MM HXSOCHDCS                | 3.000 EA |
| 036500013AB            | HX NUT,ODE BRKT                         | 4.000 EA |
| 036500013AB            | HX NUT,ODE BRKT                         | 4.000 EA |
| 418150003A             | GREASE FITTING CAP                      | 2.000 EA |
| 609830005AAZ           | TBOLT METRIC                            | 4.000 EA |
| 801930102A             | BRKT,ODE,C320                           | 1.000 EA |
| 801931102B             | BRKT,DE,C320                            | 1.000 EA |
| 000613006NT            | NAME PLATE IEC                          | 1.000 EA |
| 032018004CK            | HHCS 3/8-16X1/2L PLATED                 | 4.000 EA |
| 032018006CK            | HHCS 3/8-16X3/4L PLATED                 | 4.000 EA |
| 034017014AB            | LCKW 3/8 STD. PLATED                    | 4.000 EA |
| 036000012HB            | HHCS M6X12MM LONG PLATED                | 4.000 EA |
| 036000012JB            | M8-1.25 X 12MM HXHDC                    | 3.000 EA |
| 036000016KB            | HHCSM10-1.5X16MM PLTD-280               | 2.000 EA |
| 036000020JB            | HHCS M8-1.25X20L PLTD-250               | 6.000 EA |
| 036000045JB            | M8-1.25 X 45MM HXHCS                    | 4.000 EA |
| 036600009AB            | METRIC FLWASH M8 PLATED                 | 3.000 EA |
| 036620009AB            | M8 EXTERNAL LK WASHER                   | 1.000 EA |
| 036620010AB            | M10 EXT. TOOTH LK WASHER                | 2.000 EA |
| 077176001A             | CBOXC, PAINTED 360-400                  | 1.000 EA |
| 402731001A             | GASK 360-440                            | 1.000 EA |
| 410978010E             | INLET FLGE                              | 1.000 EA |
| 410978019A             | SCREEN, INLET FLANGE                    | 1.000 EA |
| 415000103E             | T/LUG #4AWG-1/0AWG W/HOLE FOR .375 BOLT | 1.000 EA |

Product Information Packet: D51125RR-BV - 125HP,1150RPM,DC,3214ATZ,DPG-FV,

|             |  |          |
|-------------|--|----------|
| 417733004E  | GASKT                                    | 2.000 EA |
| 418014004A  | ADAPT 418014-4WCA                        | 1.000 EA |
| 418018074A  | GROUND LABEL G100 METRIC 160 D.C.        | 3.000 EA |
| 422919079   | HHCVR KIT, C320, DE, SOLID               | 1.000 EA |
| 422919081   | HHCVR KIT, C320, DE, LOUVER              | 1.000 EA |
| 422919081   | HHCVR KIT, C320, DE, LOUVER              | 1.000 EA |
| 422919090   | HHCVR KIT,C320,ODE,SOLID                 | 1.000 EA |
| 422919090   | HHCVR KIT,C320,ODE,SOLID                 | 1.000 EA |
| 610490001DG | 2HP,3450//2890RPM,3PH,60//50HZ,56C,3532M | 1.000 EA |
| 611917002G  | GASKT                                    | 1.000 EA |
| 611965001A  | WHEEL, BLOWER                            | 1.000 EA |
| 706305026A  | GUARD,SHAFT                              | 1.000 EA |
| 706320016A  | CONDUIT BOX                              | 1.000 EA |
| 708528004E  | BLOWER HOUSING                           | 1.000 EA |
| 000640000P  | TAG WINDING THERMOST                     | 1.000 EA |
| 000692000NG | LABEL ;NP 4POLE METRIC LABEL             | 1.000 EA |
| 004824007K  | SPECIAL PAINT                            | 0.200 EA |
| 032018024DK | HHCS 1/2-13X3L PLATED                    | 1.000 EA |
| 034001016AB | WSHR .562ID 1.375OD .109                 | 1.000 EA |
| 034180034JA | 3/4X3/4 X 41/4 L KEY                     | 1.000 EA |
| 418018116   | WARNING PLATE                            | 1.000 EA |

16032-001

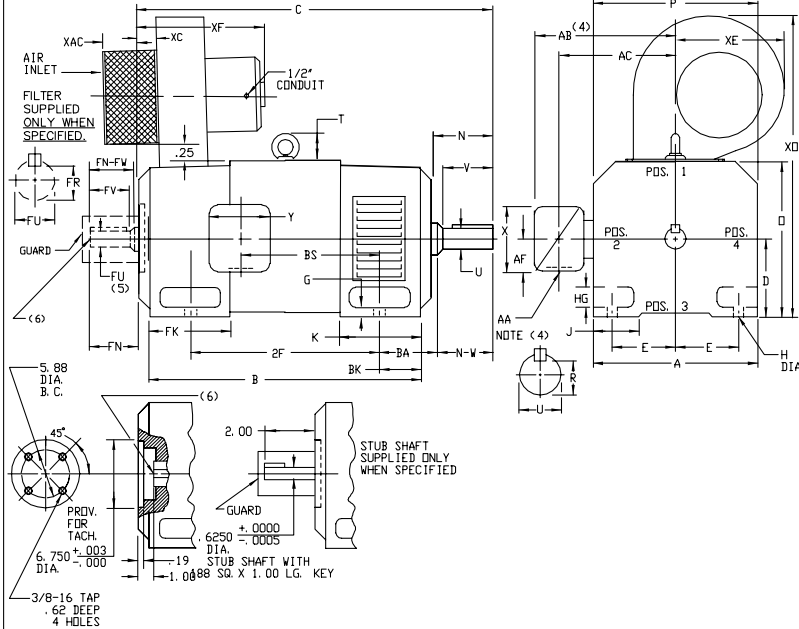
### INDUSTRIAL DIRECT CURRENT MOTORS AND GENERATORS - RPM III

ENCLOSURE: DRIP-PROOF FULLY-GUARDED  
SPLASHPROOF  
MOUNTING: FOOT

COOLING: FORCE VENTILATED  
WITH INTEGRAL  
BLOWER AND MOTOR

ACCESSORIES: PROVISION FOR  
TACHOMETER MOUNTING  
ONLY WHEN SPECIFIED

FRAMES SC3210ATZ THRU ULC3214ATZ



DIMENSIONS ARE IN INCHES

| FRAME                | XAC  | XC   | XE   | XF    | XO    |
|----------------------|------|------|------|-------|-------|
| SC3210ATZ-ULC3214ATZ | 6.75 | 3.25 | 8.50 | 19.25 | 28.00 |

| FRAME                | A     | D(1) | E    | G   | H   | HG   | J    | O     | P     | T    | BA   | K    | FK   |        |      | BK |
|----------------------|-------|------|------|-----|-----|------|------|-------|-------|------|------|------|------|--------|------|----|
|                      |       |      |      |     |     |      |      |       |       |      |      |      | STO. | LG.(8) | BK   |    |
| SC3210ATZ-ULC3214ATZ | 15.50 | 8.00 | 6.25 | .75 | .69 | 2.25 | 3.00 | 15.81 | 15.62 | 3.54 | 5.25 | 6.75 | 7.94 | 10.44  | 4.00 |    |

| FRAME                   | METHOD OF DRIVE | C(7)  |        | B     | BS    | 2F    | DRIVE END SHAFT AND KEY |      |      |       |      |       | OPPOSITE DRIVE END SHAFT AND KEY (5) |      |       |      |       |      | WT. LBS. |      |       |      |
|-------------------------|-----------------|-------|--------|-------|-------|-------|-------------------------|------|------|-------|------|-------|--------------------------------------|------|-------|------|-------|------|----------|------|-------|------|
|                         |                 | STD.  | LG.(8) |       |       |       | N                       | N-W  | U(2) | V     | R(3) | ISO   | LGTH.                                | FN   | FN-FW | F(2) | FV    | F(3) |          | ISO  | LGTH. |      |
| SC3210ATZ - LSC3210ATZ  | COUPLED         | 36.25 | 38.75  | 28.31 | 30.81 | 13.38 | 20.00                   | 5.50 | 5.25 | 2.625 | 5.00 | 2.275 | 6.625                                | 4.00 | 4.75  | 4.50 | 2.250 | 4.25 | 1.972    | 5.00 | 3.25  | 1115 |
| USC3210ATZ - ULC3210ATZ | BELTED          | 36.75 | 39.25  | 28.31 | 30.81 | 13.38 | 20.00                   | 6.00 | 5.75 | 2.875 | 5.50 | 2.450 | 7.50                                 | 4.25 | 4.75  | 4.50 | 2.250 | 4.25 | 1.972    | 5.00 | 3.25  | 1120 |
| LMC3212ATZ - LMC3212ATZ | COUPLED         | 39.25 | 41.75  | 31.31 | 33.81 | 16.38 | 25.00                   | 5.50 | 5.25 | 2.625 | 5.00 | 2.275 | 6.625                                | 4.00 | 4.75  | 4.50 | 2.250 | 4.25 | 1.972    | 5.00 | 3.25  | 1210 |
| UMC3212ATZ - UMC3212ATZ | BELTED          | 39.75 | 42.25  | 31.31 | 33.81 | 16.38 | 25.00                   | 6.00 | 5.75 | 2.875 | 5.50 | 2.450 | 7.50                                 | 4.25 | 4.75  | 4.50 | 2.250 | 4.25 | 1.972    | 5.00 | 3.25  | 1215 |
| LLC3212ATZ - LLC3212ATZ | COUPLED         | 41.25 | 43.75  | 33.31 | 35.81 | 18.38 | 25.00                   | 5.50 | 5.25 | 2.625 | 5.00 | 2.275 | 6.625                                | 4.00 | 4.75  | 4.50 | 2.250 | 4.25 | 1.972    | 5.00 | 3.25  | 1290 |
| ULC3212ATZ - ULC3212ATZ | BELTED          | 41.75 | 44.25  | 33.31 | 35.81 | 18.38 | 25.00                   | 6.00 | 5.75 | 2.875 | 5.50 | 2.450 | 7.50                                 | 4.25 | 4.75  | 4.50 | 2.250 | 4.25 | 1.972    | 5.00 | 3.25  | 1295 |
| L3214ATZ - LC3214ATZ    | COUPLED         | 46.25 | 48.75  | 38.31 | 40.81 | 23.38 | 32.00                   | 5.50 | 5.25 | 2.625 | 5.00 | 2.275 | 6.625                                | 4.00 | 4.75  | 4.50 | 2.250 | 4.25 | 1.972    | 5.00 | 3.25  | 1470 |
| ULC3214ATZ - ULC3214ATZ | BELTED          | 46.75 | 49.25  | 38.31 | 40.81 | 23.38 | 32.00                   | 6.00 | 5.75 | 2.875 | 5.50 | 2.450 | 7.50                                 | 4.25 | 4.75  | 4.50 | 2.250 | 4.25 | 1.972    | 5.00 | 3.25  | 1475 |

- (1) "D" DIMENSION WILL NOT BE EXCEEDED. SHIMS UP TO .06 INCHES IN THICKNESS ARE USUALLY REQUIRED FOR COUPLED OR GEARED MACHINES.
- (2) "U" AND "FU" VARY----+.000 --.001
- (3) "R" AND "FR" VARY----+.000 --.015
- (4) TERMINAL BOX VARIES WITH H.P. FIBER DIMENSIONS "AA", "AB", "AC", "AF", "X" AND "Y" REFER TO BOX D/S. (STD. 609979-1, "X" 609979-2, MILL 609979-3)
- (5) OPPOSITE DRIVE END SHAFT SUPPLIED ONLY WHEN SPECIFIED.
- (6) MOTOR TAPPED FOR SCREW IN STUB SHAFT.
- (7) WHEN THE MOTOR APPLICATION DOES NOT REQUIRE THE USE OF DPP DRIVE END, ADD .25 TO "C" DIM FOR BRACKET COVER.
- (8) DIMENSION FOR FRAMES WITH PREFIX LSC, LMC, LLC, LC, ULSC, ULMC, ULLC OR ULC.
- (9) "XC" DIMENSION IS NOT APPLICABLE TO "C3214ATZ" FRAMES (BLOWER MOTOR IS CENTERED ON SHAFT C/L).

TERMINAL BOX CAN BE ROTATED FOR LEAD OUTLET AT TOP, SIDES OR BOTTOM.  
TERMINAL BOX LOCATED ON OPPOSITE SIDE WHEN F-2, W-1, N-4, W-5, W-7, OR C-1 MOUNTING IS SPECIFIED.  
BOX LOCATED ON TOP WHEN SPECIFIED.  
BLOWER ASSEMBLY CAN BE LOCATED AT POSITIONS 1, 2, OR 4, EXCEPT BLOWER ASSEMBLY AND TERMINAL BOX CAN NOT BE LOCATED AT THE SAME POSITION.  
MOTOR WEIGHT MAY VARY 15% FOR NON-STANDARD RATINGS AND/OR ACCESSORIES.  
IF MOUNTING CLEARANCE DETAILS ARE REQUIRED, CONSULT FACTORY.

CUSTOMER IS RESPONSIBLE FOR DETERMINING THAT BALDOR'S PRODUCT WILL PERFORM SUITABLY IN THE INTENDED APPLICATION.

|                          |                              |                   |
|--------------------------|------------------------------|-------------------|
| REV. DESC: LOADED TO BUS | VERSION: 00                  | TDR: 000000578087 |
| REV. LTR: -              | REVISED: 03:36:51 01/28/2011 | BY: CONNAS        |
| FILE: \RGG\00016\040     |                              |                   |
| MTL: -                   |                              |                   |

**BALDOR**

DIMENSION DRAWING, SC3210ATZ - ULC3214ATZ, DPP, FOOT MTG

SH 1 of 1

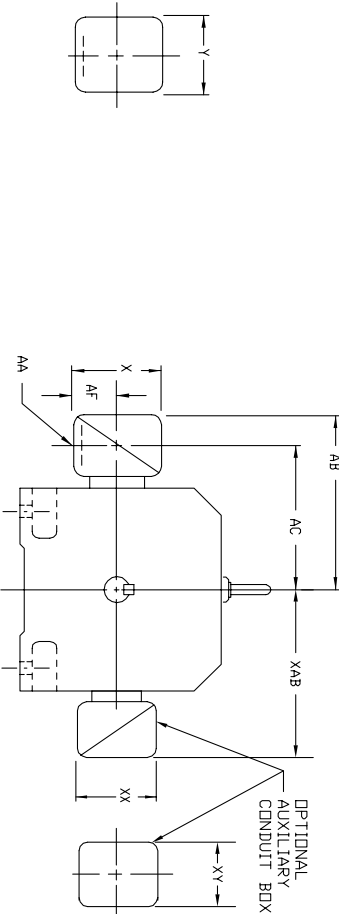
16032-001



609979-001

# INDUSTRIAL DIRECT CURRENT MOTORS AND GENERATORS – RPM III

STEEL AND CAST IRON TERMINAL BOX DIMENSIONS  
STANDARD SIZE AND ONE SIZE LARGER  
FRAMES C3210ATZ THRU C3613ATZ



DIMENSIONS ARE IN INCHES

| FRAME SIZE | STANDARD SIZE |       |       |       |      |       | ONE SIZE LARGER |            |    |       |       |      |       |       |            |
|------------|---------------|-------|-------|-------|------|-------|-----------------|------------|----|-------|-------|------|-------|-------|------------|
|            | MAX. AMP'S    | AA(1) | AB    | AC    | AF   | Y     | AA(1)           | AB         | AC | AF    | Y     |      |       |       |            |
| C3210ATZ   | 128           | 2     | 14.88 | 11.38 | 4.25 | 8.44  | 7.25            | 74874-R    | 3  | 15.31 | 12.06 | 4.25 | 8.44  | 7.25  | 74874-24-R |
| C3212ATZ   | 185           | 3     | 15.31 | 12.06 | 4.25 | 8.44  | 7.25            | 74874-24-R | 4  | 16.75 | 12.69 | 5.38 | 10.56 | 9.00  | 700308-3-R |
| C3214ATZ   | 269           | 4     | 16.75 | 12.69 | 5.38 | 10.56 | 9.00            | 700308-3-R | 5  | 21.00 | 15.88 | 6.50 | 12.10 | 14.62 | 702658-1-C |
|            | 500           | 5     | 21.00 | 15.88 | 6.50 | 12.10 | 14.62           | 702658-1-C | 5  | 21.00 | 15.88 | 6.50 | 12.10 | 14.62 | 702658-1-C |
| C3612ATZ   | 128           | 2     | 15.88 | 12.38 | 4.25 | 8.44  | 7.25            | 74874-R    | 3  | 16.31 | 13.06 | 4.25 | 8.44  | 7.25  | 74874-24-R |
| C3613ATZ   | 185           | 3     | 16.31 | 13.06 | 4.25 | 8.44  | 7.25            | 74874-24-R | 4  | 17.75 | 13.69 | 5.38 | 10.56 | 9.00  | 700308-3-R |
|            | 269           | 4     | 17.75 | 13.69 | 5.38 | 10.56 | 9.00            | 700308-3-R | 5  | 22.00 | 15.88 | 6.50 | 12.10 | 14.62 | 702658-1-C |
|            | 500           | 5     | 22.00 | 15.88 | 6.50 | 12.10 | 14.62           | 702658-1-C | 5  | 22.00 | 15.88 | 6.50 | 12.10 | 14.62 | 702658-1-C |

| FRAME SIZE | STANDARD SIZE |       |       |       |      |       | ONE SIZE LARGER |          |    |       |       |      |       |       |          |
|------------|---------------|-------|-------|-------|------|-------|-----------------|----------|----|-------|-------|------|-------|-------|----------|
|            | MAX. AMP'S    | AA(2) | AB    | AC    | AF   | Y     | AA(2)           | AB       | AC | AF    | Y     |      |       |       |          |
| C3210ATZ   | 128           | 1-1/2 | 13.62 | 11.19 | 3.00 | 6.00  | 7.00            | 7560-R   | 3  | 15.31 | 11.56 | 3.62 | 7.88  | 9.25  | 76700-RB |
| C3212ATZ   | 185           | 3     | 15.31 | 11.56 | 3.62 | 7.88  | 9.25            | 76700-RB | 4  | 16.62 | 12.44 | 4.12 | 9.50  | 10.50 | 76708-R  |
| C3214ATZ   | 269           | 4     | 16.62 | 12.44 | 4.12 | 9.50  | 10.50           | 76708-R  | 5  | 19.44 | 14.19 | 7.00 | 12.75 | 15.00 | 76870-S  |
|            | 500           | 5     | 19.44 | 14.19 | 7.00 | 12.75 | 15.00           | 76870-S  | 6  | 19.44 | 14.19 | 7.00 | 12.75 | 15.00 | 76870-R  |
| C3612ATZ   | 128           | 1-1/2 | 14.62 | 12.19 | 3.00 | 6.00  | 7.00            | 7560-R   | 3  | 16.31 | 12.56 | 3.62 | 7.88  | 9.25  | 76700-RB |
| C3613ATZ   | 185           | 3     | 16.31 | 12.56 | 3.62 | 7.88  | 9.25            | 76700-RB | 4  | 17.62 | 13.44 | 4.12 | 9.50  | 10.50 | 76708-R  |
|            | 269           | 4     | 17.62 | 13.44 | 4.12 | 9.50  | 10.50           | 76708-R  | 5  | 20.44 | 15.19 | 7.00 | 12.75 | 15.00 | 76870-S  |
|            | 500           | 5     | 20.44 | 15.19 | 7.00 | 12.75 | 15.00           | 76870-S  | 6  | 20.44 | 15.19 | 7.00 | 12.75 | 15.00 | 76870-R  |

| FRAME SIZE | STANDARD SIZE |       |       |      |       |        | ONE SIZE LARGER |             |  |  |  |  |
|------------|---------------|-------|-------|------|-------|--------|-----------------|-------------|--|--|--|--|
|            | AMP'S         | AB    | AC    | AF   | X     | AA (3) | Y               | PART NUMBER |  |  |  |  |
| C320       | 400           | 19.02 | 15.28 | 6.20 | 14.39 | ---    | 14.39           | 706310-63-B |  |  |  |  |
|            | 800           | 19.02 | 15.28 | 6.20 | 14.39 | ---    | 14.39           | 706310-63-B |  |  |  |  |
|            | 1600          | 19.02 | 15.28 | 7.68 | 15.35 | ---    | 15.35           | 706310-63-C |  |  |  |  |
| C360       | 400           | 20.00 | 15.28 | 6.20 | 14.39 | ---    | 14.39           | 706310-63-B |  |  |  |  |
|            | 800           | 20.00 | 15.28 | 6.20 | 14.39 | ---    | 14.39           | 706310-63-B |  |  |  |  |
|            | 1600          | 20.00 | 15.28 | 7.68 | 15.35 | ---    | 15.35           | 706310-63-C |  |  |  |  |

| FRAME SIZE | OPTIONAL AUXILIARY CONDUIT BOX DIMENSIONS (MAXIMUM) |      |             |            |       |      |             |
|------------|---|------|-------------|------------|-------|------|-------------|
|            | XAB   | XX   | PART NUMBER | FRAME SIZE | XAB   | XX   | PART NUMBER |
| C320       | 10.00   | 4.23 | 602007-26-A | C320       | 13.50 | 8.00 | 706310-3-B  |
| C360       | 11.00   | 4.23 | 602007-26-A | C360       | 14.50 | 8.00 | 706310-3-B  |

- (1) AA' CONDUIT
- (2) AA' PIPE TAB
- (3) CUSTOMER TO PROVIDE HOLE FOR CONDUIT.
- TERMINAL BOX CAN BE ROTATED FOR LEAD OUTLET AT TOP, SIDES OR BOTTOM.
- TERMINAL BOX LOCATED ON OPPOSITE SIDE WHEN F-2, V-1, V-4, W-5, V-7.
- OR C-1 MOUNTING IS SPECIFIED. BOX LOCATED ON TOP WHEN SPECIFIED.
- FOR X/P TERMINAL BOX DIMENSIONS SEE 609979-0579-3.
- FOR Y/P TERMINAL BOX DIMENSIONS SEE 609979-0579-3.

100-646609

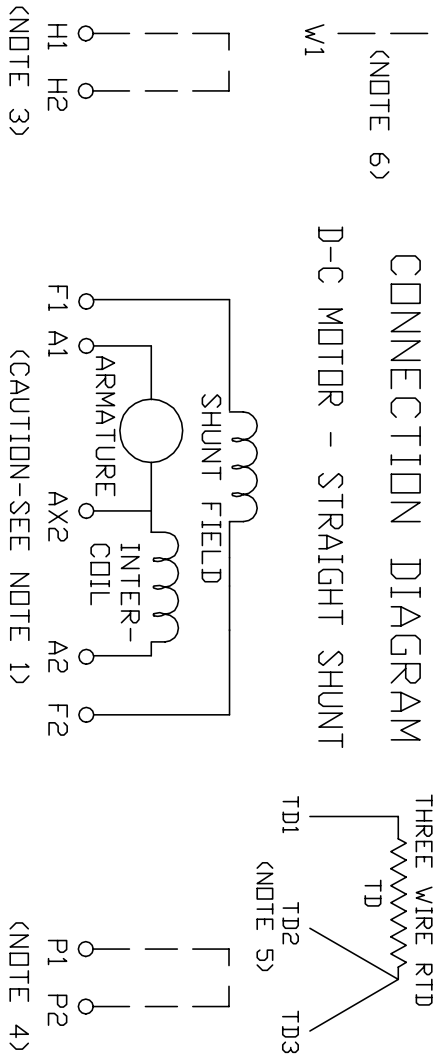
CUSTOMER IS RESPONSIBLE FOR DETERMINING THAT BALDOR'S PRODUCT WILL PERFORM SUITABLY IN THE INTENDED APPLICATION.

|                        |                              |                   |
|------------------------|------------------------------|-------------------|
| REV. DESC: LOAD TO BUS | VERSION: 00                  | TDR: 000000958110 |
| REV. LTR: -            | REVISED: 08:37:45 12/17/2015 | BY: RGGWT         |
| FILE: \\RGC\00026\318  |                              |                   |
| MTL: -                 |                              |                   |

DIM SHT,C3210ATZ THRU C3613ATZ,W/AUX C/BOX  
SH 1 of 1

406770-006

406770-006



1. **CAUTION** — ARMATURE MAY HAVE MULTIPLE LEADS. CONNECT ALL LUGS WITH THE SAME MARKING TOGETHER.
2. OPTIONAL CONTROL SIGNAL LEAD IS MARKED AX2. ALWAYS TAKE INTERPOLE DROP BETWEEN A2 AND AX2. NOTE: NEMA DESIGNATION FOR AX2 IS LETTER C.
3. SPACE HEATERS, WHEN PROVIDED, WILL HAVE LEADS MARKED H1 AND H2, H3, H4, ETC.
4. THERMAL PROTECTOR, WHEN PROVIDED, WILL HAVE LEADS MARKED P1 AND P2, P3, P4, ETC.
5. WINDING RTD'S, WHEN PROVIDED, WILL HAVE LEADS MARKED TD1, TD2, & TD3.
6. BRUSH WEAR SENSOR, WHEN PROVIDED, WILL HAVE LEAD MARKED W1.
7. **WARNING** — MOTOR MUST BE GROUNDED TO PREVENT SERIOUS INJURIES TO PERSONNEL. GROUND THE MOTOR PER IEC, NATIONAL ELECTRICAL CODE AND ANY APPLICABLE LOCAL ELECTRICAL CODES. A TAPPED HOLE IS PROVIDED IN THE CONDUIT BOX, ON THE FOOT. FRAME BRACE OR OPPOSITE OPPOSITE DRIVE END BRACKET, ADJACENT TO THE TERMINAL BOX FOR FOR MOTOR GROUNDING. GROUND LEAD, WHEN PROVIDED, WILL BE GREEN.

CUSTOMER \_\_\_\_\_ RELIANCE \_\_\_\_\_  
 ORDER NO. \_\_\_\_\_ S.D. NO. \_\_\_\_\_

|  |                                |                   |
|--|--------------------------------|-------------------|
| REV. DESC: UPDATE LOGO AND TITLEBLOCK: LOADED TO BUS |                                |                   |
| REV. LTR: -  | VERSION: 00                    | TDR: 000000781086 |
| FILE: \RSN\00026\515                                 | REVISED: 02: 41: 08 02/01/2013 |                   |
| MTL: -   | BY: MGHPC                      |                   |

**BALDOR**

D-C MOTOR CONNECTION DIAGRAM, STRAIGHT SHUNT

SH 1 of 1