

BALDOR® • RELIANCE 

Product Information Packet

D5530R

30 1750/2300 LC2812ATZ TEFC 500V

Part Detail							
Revision:	A	Status:	PRD/A	Change #:		Proprietary:	No
Type:	DC	Prod. Type:		Elec. Spec:	G6151A A	CD Diagram:	406770-002
Enclosure:	TEFC	Mfg Plant:		Mech. Spec:		Layout:	609951-013
Frame:	LC 28	Mounting:		Poles:	00	Created Date:	04-10-2015
Base:		Rotation:		Insulation:		Eff. Date:	11-06-2017
Field Type:		Literature:		Elec. Diagram:		Replaced By:	

Specs			
Enclosure:	TEFC		
Frame:	LC2812ATZ		
Frame Material:	Exposed Laminations		
Agency Approvals:	CCSA US		
Base Indicator:	Rigid		
Bearing Grease Type:	Polyrex EM (-20F +300F)		
Drip Cover:	No Drip Cover		
Duty Rating:	CONT		
Feedback Device:	NO FEEDBACK		
Field Winding Type:	STAB SHUNT		
Frame Prefix:	LC		
Heater Indicator:	No Heater		
Insulation Class:	F		
Lifting Lugs:	Standard Lifting Lugs		
Mounting Arrangement:	F1		
Shaft Extension Location:	Pulley End		

Shaft Ground Indicator:	No Shaft Grounding		
Shaft Slinger Indicator:	No Slinger		
Motor Standards:	NEMA		

Nameplate 000613006HP	
CAT.NO.	D5530R
FR	LC 2812ATZ
ENCL.	TEFC
ENCL MOD	
MAX SAFE SPEED	2450
FIELD DATA	
WINDING	STAB SHUNT
VOLTS	300
MAX AMPS @ 25 C	1.74
HOT AMPS	1.21/.90
	BRUSH:419904051AD
	FLD. DATA FOR HIGH VOLTS:
SPEC NO.	T28S0303
HP	30
RPM	1750/2300
VOLTS	500
AMPS	50.00
SER.NO.	
DUTY	CONT
S.F.	1.0
INSUL	F
AMB.	40
POWER CODE	C
D.E. BRG.	65BC03J30X
O.D.E. BRG.	55BC02J30X
MIN. AMB.	0
TYPE	TR

Nameplate 000692000MB	
FIELD VOLTS 150/300	

Parts List		
Part Number	Description	Quantity
SA297069	SA T28S0303	1.000 EA
AA016120	AA T28S0303	1.000 EA
000613006HP	NAMEPLATE - RPM III D-C MOTOR W/CSA LOGO	1.000 EA
000692000MB	BALDOR RELIANCE MOTOR DATA NAMEPLATE	1.000 EA
000692000FP	NP, WARNING LIFT INSTRUCTIONS	1.000 EA
000692000FS	WARNING LABEL	1.000 EA
418057747A	METAL FASTENER	8.000 EA
406770002	C/D TAG STAB SHUNT D.V.	1.000 EA
036000020HB	HHCS M6-1.0X20MM PLATED	4.000 EA
036000020KB	MHHCS M10-1.5X20MM PLTD.	4.000 EA
036501008AB	KPNUT M6-1.0 ZINCPLTED	8.000 EA
036610010AB	MHSLW M10 PLATED	4.000 EA
419904-51AD	BRUSH C	4.000 EA
419905003A	FLAT WASHER ROCKER RPM III RGG	4.000 EA
419905008A	HARDWARE	8.000 EA
706364051RBA	BRHLD METRIC SPRING CHG.	4.000 EA
706372001H	ROCKR METRIC	1.000 EA
034530018AB	P/NIP 1/8X2-1/4L PLATED	1.000 EA
034630001AJ	1/8" PIPE COUPLING	1.000 EA
034693001AB	PPLG - G508- use 034692001AB	1.000 EA
034693001AB	PPLG - G508- use 034692001AB	1.000 EA
035000001A	ALFTG 1/8" 1610-BL	1.000 EA
035000001A	ALFTG 1/8" 1610-BL	1.000 EA
036000075KB	HHCS M10 75MM ZINCPLAT	3.000 EA

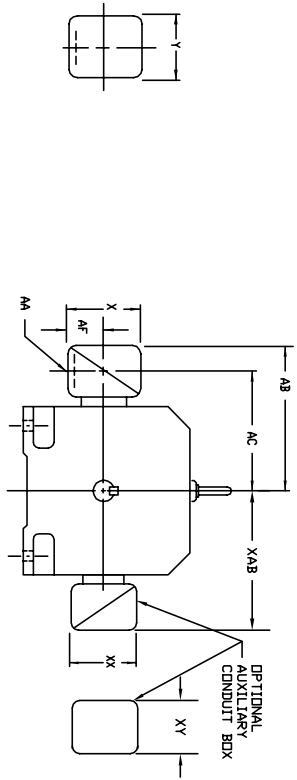
Parts List (continued)		
Part Number	Description	Quantity
036100060JA	M8-1.25 X 60MM HXSOCHDCS	3.000 EA
036500011AB	METRIC NUT M12-1.75 PLT.	4.000 EA
036500011AB	METRIC NUT M12-1.75 PLT.	4.000 EA
400638001AD	WAVEN - 400	1.000 EA
418150003A	GREASE FITTING CAP	2.000 EA
609830005W	TBOLT METRIC RP609830-	4.000 EA
415000103A	T/LUG #14AWG-#4AWG W/HOLE FOR .250 BOLT	1.000 EA
801928055A	BRKT,ODE,C280	1.000 EA
801929052A	BRKT,DE,C280	1.000 EA
004824015A	GREASE POLYREX EM	0.300 LB
032018004AK	HHCS 1/4-20X1/2 PLATED	4.000 EA
036000016KB	HHCSM10-1.5X16MM PLTD-280	2.000 EA
032018004CK	HHCS 3/8-16X1/2L PLATED	5.000 EA
418018074A	GROUND LABEL G100 METRIC 160 D.C.	3.000 EA
032018012DK	HHCS 1/2-13X1-1/2 PLTD.	4.000 EA
034001012AB	WSHR 1/4" PLATED	4.000 EA
034017016AB	LCKW 1/2" PLATED	4.000 EA
034180014GA	KEY 1/2X1/2X1-3/4 L	1.000 EA
036000012HB	HHCS M6X12MM LONG PLATED	4.000 EA
036000045JB	M8-1.25 X 45MM HXHCS	4.000 EA
036620009AB	M8 EXTERNAL LK WASHER	1.000 EA
036620010AB	M10 EXT. TOOTH LK WASHER	2.000 EA
074875000A	CONDUIT BOX COVER	1.000 EA
078549001SA	(006) FAN	1.000 EA

Product Information Packet: D5530R - 30 1750/2300 LC2812ATZ TEFC 500V

402731000A	GASK 320-400	1.000 EA
412043002K	BPLUG	1.000 EA
415072001B	CLAMP	1.000 EA
417733004D	GASKET CONDUIT BOX	2.000 EA
418014004A	ADAPT 418014-4WCA	1.000 EA
422919053	HHCVR KIT, C280, DE, XT	1.000 EA
422919053	HHCVR KIT, C280, DE, XT	1.000 EA
422919053	HHCVR KIT, C280, DE, XT	1.000 EA
422919064	HHCVR KIT, C280, ODE, SOLID	1.000 EA
422919064	HHCVR KIT, C280, ODE, SOLID	1.000 EA
422919064	HHCVR KIT, C280, ODE, SOLID	1.000 EA
603909004A	GRILL, FAN	1.000 EA
706320009A	CB, 2.00 CONDUIT, METRIC, SHEET METAL	1.000 EA
706365003A	FNGRL	1.000 EA
801955001A	FNCVR 801955-1WCA	1.000 EA
000640000P	TAG WINDING THERMOST	1.000 EA
000692000NG	LABEL ;NP 4POLE METRIC LABEL	1.000 EA
004824007K	SPECIAL PAINT	0.100 EA
034180028HA	KEY 5/8X5/8X3-1/2L-445	1.000 EA

609959-001

INDUSTRIAL DIRECT CURRENT MOTORS
AND GENERATORS - RPM III
TERMINAL BOX DIMENSIONS
STANDARD SIZE AND ONE SIZE LARGER
FRAMES C2113ATZ THRU C2815ATZ



FRAME SIZE	STANDARD SIZE						ONE SIZE LARGER					
	MAX. AMPS	AK(1)	AB	AC	AF	PART NUMBER	AK(1)	AB	AC	AF	PART NUMBER	
C2113ATZ	40	3/4 & 1"	8.97	7.47	1.94	4.38	5.00	7.05	5.00	1-1/4 & 1-1/2	7.05	
C2115ATZ	96	1-1/4 & 1-1/2	10.03	8.03	2.50	5.00	6.12	7.05	5.00	2" & 2-1/2	7.05	
(2)	208	2" & 2-1/2	11.16	8.41	3.19	7.00	7.62	7.05	5.00	2" & 2-1/2	7.62	
C2513ATZ	40	3/4 & 1"	10.03	8.53	1.94	4.38	5.00	7.05	5.00	1-1/4 & 1-1/2	7.05	
C2515ATZ	96	1-1/4 & 1-1/2	11.09	9.09	2.50	5.00	6.12	7.05	5.00	2" & 2-1/2	7.05	
(2)	208	2" & 2-1/2	12.22	9.47	3.19	7.00	7.62	7.05	5.00	2" & 2-1/2	7.62	
C2813ATZ	128	2"	14.03	10.53	4.25	8.44	7.25	7.62	5.00	3"	7.62	
C2815ATZ	185	3"	14.47	11.22	4.25	8.44	7.25	7.62	5.00	3"	7.62	
(2)	259	4"	15.91	11.84	5.38	10.56	9.00	7.05	5.00	5" (4)	7.05	

FRAME SIZE	STANDARD SIZE						ONE SIZE LARGER					
	MAX. AMPS	AK(3)	AB	AC	AF	PART NUMBER	AK(3)	AB	AC	AF	PART NUMBER	
C2113ATZ	18	3/4	10.03	8.03	2.50	5.00	5.75	7.05	5.00	1-1/2	7.05	
C2115ATZ	40	1"	10.03	8.03	2.50	5.00	5.75	7.05	5.00	1-1/2	7.05	
(2)	96	1-1/2	10.97	8.53	3.00	6.00	7.00	7.05	5.00	2-1/2	7.05	
208	2"	10.97	8.53	3.00	6.00	7.00	7.05	5.00	2-1/2	7.05		
18	3/4	11.09	9.09	2.50	5.00	5.75	7.05	5.00	1-1/2	7.05		
C2513ATZ	40	1"	11.09	9.09	2.50	5.00	5.75	7.05	5.00	1-1/2	7.05	
C2515ATZ	96	1-1/2	12.03	9.59	3.00	6.00	7.00	7.05	5.00	2-1/2	7.05	
(2)	208	2"	12.03	9.59	3.00	6.00	7.00	7.05	5.00	2-1/2	7.05	
C2813ATZ	128	2"	12.78	10.34	3.00	6.00	7.00	7.05	5.00	3"	7.05	
C2815ATZ	185	3"	14.47	10.72	3.62	7.88	9.25	7.62	5.00	3"	7.62	
(2)	259	4"	15.78	11.59	4.12	9.50	10.50	7.05	5.00	5" (4)	7.05	

FRAME SIZE	STANDARD SIZE						ONE SIZE LARGER					
	AMP(S)	AB	AC	AF	X	Y	AB	AC	AF	X	Y	
C210	100	10.71	8.98	2.72	7.48	7.48	7.48	7.48	7.48	7.48	7.48	
200	11.26	9.25	3.35	8.82	8.82	8.82	8.82	8.82	8.82	8.82	8.82	
100	11.90	9.57	2.72	7.48	7.48	7.48	7.48	7.48	7.48	7.48	7.48	
200	11.85	9.84	3.35	8.82	8.82	8.82	8.82	8.82	8.82	8.82	8.82	
400	17.48	12.75	6.20	14.39	14.39	14.39	14.39	14.39	14.39	14.39	14.39	
800	17.48	12.75	6.20	14.39	14.39	14.39	14.39	14.39	14.39	14.39	14.39	
200	12.60	10.99	3.76	8.82	8.82	8.82	8.82	8.82	8.82	8.82	8.82	
400	18.27	13.54	6.20	14.39	14.39	14.39	14.39	14.39	14.39	14.39	14.39	
800	18.27	13.54	6.20	14.39	14.39	14.39	14.39	14.39	14.39	14.39	14.39	
1600	18.27	13.54	7.68	15.35	15.35	15.35	15.35	15.35	15.35	15.35	15.35	

(1) *AM. CONDUIT
(2) STEEL TERMINAL BOX FOR C2113ATZ AND C2513ATZ
(3) *AM. PIPE TAP
(4) TERMINAL BOX 76870-9R EXTENDS BELOW MOTOR FEET.
TERMINAL BOX CAN BE ROTATED FOR LEAD DULLET AT TOP, SIDES OR BOTTOM.
TERMINAL BOX LOCATED ON OPPOSITE SIDE WHEN F-2, V-1, V-4, V-5, V-7,
OR C-1 MOUNTING IS SPECIFIED. BOX LOCATED ON TOP WHEN SPECIFIED.
FOR *X/P TERMINAL BOX DIMENSIONS SEE 609959-2.
FOR **X/P TERMINAL BOX DIMENSIONS SEE 609959-3.

CUSTOMER IS RESPONSIBLE FOR DETERMINING THAT BALDOR'S PRODUCT WILL PERFORM SUITABLY IN THE INTENDED APPLICATION.

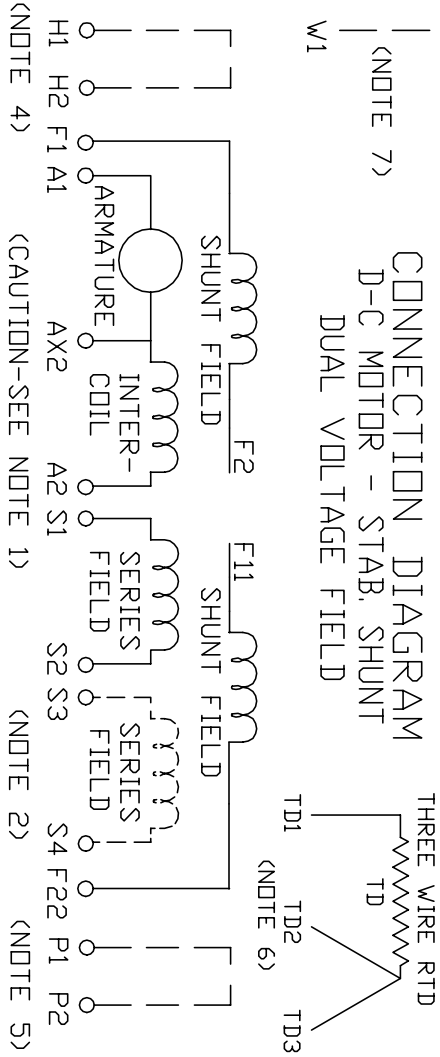
REV. DESC: ADD 706310-63G C/BOX TO C250 AND C280 FRAMES	VERSION: 01	TDR: 000000816512
REV. LTR: A		
FILE: \RGG\00021\153		REVISED: 03:09:09 09/06/2013
MTL: -		BY: RGGWT

BALDOR
DIMENSION SHEET
SH 1 of 1

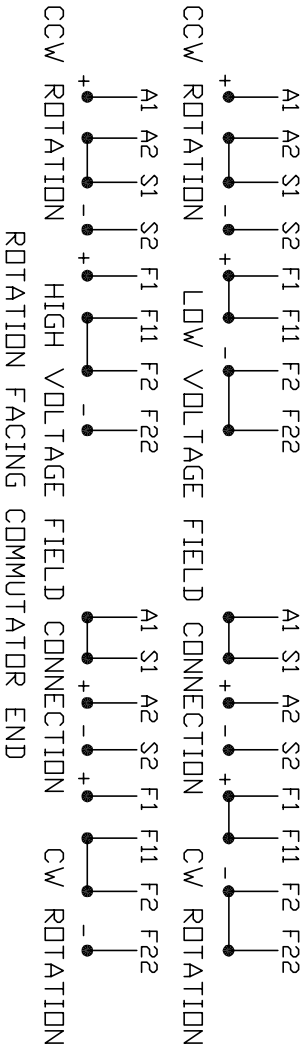
609959-001

406770-002

CONNECTION DIAGRAM
D-C MOTOR - STAB, SHUNT
DUAL VOLTAGE FIELD



ARMATURE AND FIELD EXTERNAL CONNECTIONS
WARNING- SEE NOTE 8 FOR GROUNDING INSTRUCTIONS



1. **CAUTION** - ARMATURE AND SERIES FIELD MAY HAVE MULTIPLE LEADS. CONNECT ALL LUGS WITH THE SAME MARKING TOGETHER.
 2. OPTIONAL SERIES FIELD IS MARKED S3 AND S4. FOR CUMULATIVE SERIES FIELD, CONNECT S3 TO S2 AND CONNECT S4 TO NEGATIVE. FOR DIFFERENTIAL SERIES FIELD CONNECT S4 TO S2 AND S3 TO NEGATIVE.
 3. OPTIONAL CONTROL SIGNAL LEAD IS MARKED AX2. ALWAYS TAKE INTERPOLE DROP BETWEEN A2 AND AX2. NOTE: NEMA DESIGNATION FOR AX2 IS LETTER C.
 4. SPACE HEATERS, WHEN PROVIDED, WILL HAVE LEADS MARKED H1 AND H2, H3, H4, ETC.
 5. THERMAL PROTECTOR, WHEN PROVIDED, WILL HAVE LEADS MARKED P1 AND P2, P3, P4, ETC.
 6. WINDING RTD'S, WHEN PROVIDED, WILL HAVE LEADS MARKED TD1, TD2, & TD3
 7. BRUSH WEAR SENSOR, WHEN PROVIDED, WILL HAVE LEAD MARKED W1.
 8. **WARNING** - MOTOR MUST BE GROUNDED TO PREVENT SERIOUS INJURIES TO PERSONNEL. GROUND THE MOTOR PER IEC, NATIONAL ELECTRICAL CODE AND ANY APPLICABLE LOCAL ELECTRICAL CODES. A TAPPED HOLE IS PROVIDED IN THE CONDUIT BOX, ON THE FOOT. FRAME BRACE OR OPPOSITE OPPOSITE DRIVE END BRACKET, ADJACENT TO THE TERMINAL BOX FOR FOR MOTOR GROUNDING. GROUND LEAD, WHEN PROVIDED, WILL BE GREEN.
- CUSTOMER _____ ORDER NO. _____
- RELIANCE
CUSTOMER _____ S.D. NO. _____

406770-002

REV. DESC: UPDATE LOGO AND TITLEBLOCK: LOADED TO BUS

REV. LTR: -	VERSION: 00	TDR: 000000781086
FILE: \RSN\00026\434	REVISED: 02:35:07 02/01/2013	BY: MGHPC
MTL: -		

BALDOR

D-C MOTOR CONNECTION DIAGRAM STAB. SHUNT, DUAL VOLTAGE FIELD
SH 1 of 1

Marketing maintained PDF of MN602:

<http://www.baldor.com/support/Literature/Load.ashx/MN602?ManNumber=MN602>