

BALDOR® • RELIANCE 

Product Information Packet

ECP3764T

3HP,1165RPM,3PH,60HZ,213T,0738M,TEFC,F1

| Part Detail | | | | | | | |
|-------------|--------|-------------|------------|-------------|--------|---------------|------------|
| Revision: | T | Status: | PRD/A | Change #: | | Proprietary: | No |
| Type: | AC | Elec. Spec: | 07WGX822 | CD Diagram: | CD0005 | Mfg Plant: | |
| Mech. Spec: | 07K374 | Layout: | 07LYK374 | Poles: | 06 | Created Date: | 08-19-2006 |
| Base: | RG | Eff. Date: | 10-02-2017 | Leads: | 9#14 | | |

| Specs | | | |
|---------------------------------|-------------------------|--------------------------------|------------------------------|
| Catalog Number: | ECP3764T | Insulation Class: | F |
| Enclosure: | TEFC | Inverter Code: | Inverter Duty |
| Frame: | 213T | KVA Code: | K |
| Frame Material: | Iron | Lifting Lugs: | Standard Lifting Lugs |
| Output @ Frequency: | 3.000 HP @ 60 HZ | Locked Bearing Indicator: | No Locked Bearing |
| Synchronous Speed @ Frequency: | 1200 RPM @ 60 HZ | Motor Lead Quantity/Wire Size: | 9 @ 14 AWG |
| Voltage @ Frequency: | 460.0 V @ 60 HZ | Motor Lead Exit: | Ko Box |
| | 230.0 V @ 60 HZ | Motor Lead Termination: | Flying Leads |
| XP Class and Group: | None | Motor Type: | 0738M |
| XP Division: | Not Applicable | Mounting Arrangement: | F1 |
| Agency Approvals: | CSA EEV | Power Factor: | 70 |
| | UR | Product Family: | Chemical Processing (Not DC) |
| | CSA | Pulley End Bearing Type: | Ball |
| | CCSA US | Pulley Face Code: | Standard |
| Auxillary Box: | No Auxillary Box | Pulley Shaft Indicator: | Standard |
| Auxillary Box Lead Termination: | None | Rodent Screen: | None |
| Base Indicator: | Rigid | RoHS Status: | ROHS COMPLIANT |
| Bearing Grease Type: | Polyrex EM (-20F +300F) | Shaft Extension Location: | Pulley End |

| | | | |
|---------------------------------------|---------------------------|------------------------------------|---------------------|
| Blower: | None | Shaft Ground Indicator: | No Shaft Grounding |
| Constant Torque Speed Range: | 1.8 | Shaft Rotation: | Reversible |
| Current @ Voltage: | 4.500 A @ 460.0 V | Shaft Slinger Indicator: | Shaft Slinger |
| | 9.000 A @ 230.0 V | Speed Code: | Single Speed |
| Design Code: | B | Motor Standards: | NEMA |
| Drip Cover: | No Drip Cover | Starting Method: | Direct on line |
| Duty Rating: | CONT | Thermal Device - Bearing: | NONE (OLD) |
| Electrically Isolated Bearing: | Not Electrically Isolated | Thermal Device - Winding: | None |
| Feedback Device: | NO FEEDBACK | Vibration Sensor Indicator: | No Vibration Sensor |
| Front Face Code: | Standard | Winding Thermal 1: | None |
| Front Shaft Indicator: | None | Winding Thermal 2: | None |
| Heater Indicator: | No Heater | XP Temp Code: | T3C |

| | | | | | | | | | | |
|--------------------------|--------------|----|--|--|-------------|------|------------|------------|---|--|
| Nameplate NP3257E | | | | | | | | | | |
| CAT.NO. | ECP3764T | | | | | | | | | |
| SPEC. | 07K374X822G1 | | | | | | | | | |
| HP | 3 | TE | | | | | | | | |
| VOLTS | 230/460 | | | | | | | | | |
| AMP | 9/4.5 | | | | | | | | | |
| RPM | 1165 | | | | | | | | | |
| FRAME | 213T | | | | | | HZ | 60 | | |
| SER.F. | 1.15 | | | | CODE | K | | DES | B | |
| RATING | 40C AMB-CONT | | | | | | | | | |
| SN | | | | | | | | | | |
| DE | 6307 | | | | | | ODE | 6307 | | |
| NEMA-NOM-EFF | 90.2 | | | | PF | 70 | | | | |
| G.MIN.EFF | 88.5 | | | | CC | 010A | | | | |
| T. CODE | T3C | | | | T= | 160 | | | | |
| | | | | | | | | PH | 3 | |
| | | | | | | | | CL | F | |

| | |
|--------------------------------|---------------------------|
| Nameplate NP3260E | |
| SPEC. | 07K374X822G1 |
| D.E. BRG. | 35BC03XP30X |
| O.D.E. BRG. | 35BC03XP30X |
| GREASE | POLYREX EM |
| RPM MAX | 1800 MAX. KVAR N/A |
| BLANK | |
| INV. TYPE | PWM |
| T= | 160 |
| C HP FR | 60 |
| CT HZ FROM | 1.8 |
| VT HZ FROM | 0- |
| HTR-VOLTS | |
| HTR-WATTS | |
| C HP TO | 90 |
| CT HZ TO | 60 |
| VT HZ TO | 60 |
| HTR-AMPS | |
| MAX. SPACE HEATER TEMP. | |

| Parts List | | |
|--------------|--|----------|
| Part Number | Description | Quantity |
| SA148630 | SA 07K374X822G1 | 1.000 EA |
| RA137588 | RA 07K374X822G1 | 1.000 EA |
| 37FN3002C01 | EXFN, PLASTIC, 6.00 OD, 1.155 ID | 1.000 EA |
| HW3201A05 | 3/8-16 EYEBOLT | 1.000 EA |
| 09CB1001A03G | CONDUIT BOX, MACH GRAY | 1.000 EA |
| RM1017 | LEAD SEPERATOR GASKET MODEL 307 1/8" THK | 1.000 EA |
| 19XW2520A16 | SCREW,1/4-20X1 TAPTITE-II OR ROLOC 91 | 2.000 EA |
| 11XW1032G06 | 10-32 X .38, TAPTITE II, HEX WSHR SLTD U | 1.000 EA |
| HW3001B01 | BRASS CUP WASHER, FOR #10 SCREW | 1.000 EA |
| 10XN2520S06 | 1/4 20X3/8 HX HD CAP S.S. | 2.000 EA |
| WD1000B16 | T&B CX70TN TERMINAL | 1.000 EA |
| 37EP1101C43G | TEFC 307 BRG, GRSR,RELIEF,.25-20 FH TAPS | 1.000 EA |
| HW4500A01 | 1641B(ALEMITE)400 UNIV, GREASE FITT | 1.000 EA |
| HA4051A00 | PLASTIC CAP FOR GREASE FITTING | 1.000 EA |
| HW4500A17 | 317400 ALEMITE GREASE RELIEF | 1.000 EA |
| HA4054 | SHORT T-DRAIN FITTING, .125" N.P.T. | 1.000 EA |
| HW5100A08 | W3118-035 WVY WSHR (WB) | 1.000 EA |
| 37EP1101A32G | PU ENDPLATE MACH | 1.000 EA |
| HW4500A01 | 1641B(ALEMITE)400 UNIV, GREASE FITT | 1.000 EA |
| HA4051A00 | PLASTIC CAP FOR GREASE FITTING | 1.000 EA |
| HW4500A17 | 317400 ALEMITE GREASE RELIEF | 1.000 EA |
| HA4054 | SHORT T-DRAIN FITTING, .125" N.P.T. | 1.000 EA |
| XY3118A12 | 5/16-18 HEX NUT DIRECTIONAL SERRATION | 4.000 EA |
| 51XB1214A20 | 12-14X1.25 HXWSSLD SERTYB | 1.000 EA |

| Parts List (continued) | | |
|------------------------|--|----------|
| Part Number | Description | Quantity |
| 07FH1001A01G | SPL FAN HOUSING, 307, W/GREASER, GRAY EP | 1.000 EA |
| 10XN2520A28 | 1/4-20X 1 3/4 HEX HD | 3.000 EA |
| WD4100A02 | DP-1000 HEYCO PLUG OR 62MP1000 MICRO PL | 1.000 EA |
| 09CB1504A01G | LIPPED CONDUIT BOX LID, MACH GRAY EPOXY | 1.000 EA |
| 09GS1001A01 | GASKET, BOX LID, 1/8 THICK BLACK NEOPREN | 1.000 EA |
| 10XN2520A12 | O1/4-20X 3/4 HEX HEAD CAP | 2.000 EA |
| HW1001A25 | LOCKWASHER 1/4, ZINC PLT .493 OD, .255 I | 2.000 EA |
| HA1005A07 | SLINGER, OD 2.25, ID 1.344, 307 BRG | 1.000 EA |
| HW4600B33 | V-RING SLINGER 1.375 X 1.890 X .35 VITON | 1.000 EA |
| HW2501F21 | KEY, 5/16 SQ X 2.375 | 1.000 EA |
| HA7000A02 | KEY RETAINER RING, 1 1/8 DIA, 1 3/8 DIA | 1.000 EA |
| MJ5001A27 | 32220KN GRAY SEALER *MIN BUY 4 QTS=1GAL | 0.001 QT |
| 85XU0407S04 | 4X1/4 U DRIVE PIN STAINLESS | 2.000 EA |
| LB1115N | LABEL,LIFTING DEVICE (ON ROLLS) | 1.000 EA |
| LB1002N | LABEL,MARINE DUTY (ON ROLLS) | 1.000 EA |
| MJ1000A02 | GREASE, POLYREX EM EXXON (USe 4824-15A) | 0.050 LB |
| HA3104A32 | THRUBOLT- 5/16-18 X12.750 | 4.000 EA |
| MG1025N19 | WILKOFASST, 778.50, RELIANCE BLUE-GREEN | 0.036 GA |
| LC0005E01 | CONN.DIA./WARNING LABEL (LC0005/LB1119N) | 1.000 EA |
| LB1449 | DIV-2/NEC WARNING LABEL | 1.000 EA |
| NP3257E | SS CP SUPER-E DIV-2 UL CSA-C US EEV PREM | 1.000 EA |
| NP3260E | SS CP SUPER-E AUX DATA INFORMATION | 1.000 EA |
| 85XU0407S04 | 4X1/4 U DRIVE PIN STAINLESS | 2.000 EA |
| 07PA1011 | PKG GRP, 07 CAST IRON PK1181 | 1.000 EA |

| | | |
|----------|---|----------|
| MN416A01 | TAG-INSTAL-MAINT no wire (1200/bx) 5/18 | 1.000 EA |
|----------|---|----------|

AC Induction Motor Performance Data

Record # 47059 - Typical performance - not guaranteed values

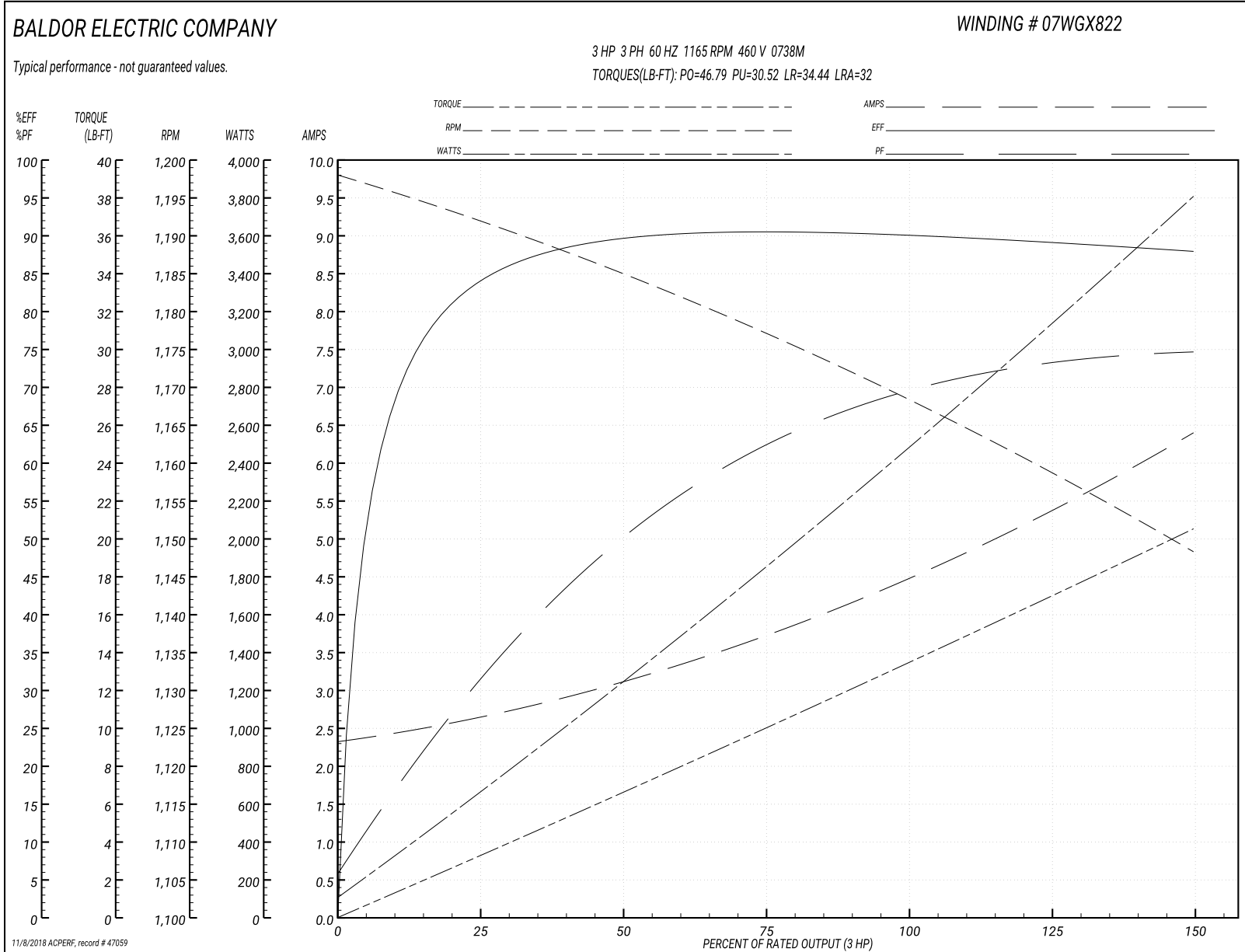
| | | |
|-------------------------------|--------------------|------------------------|
| Winding: 07WGX822-R032 | Type: 0738M | Enclosure: TEFC |
|-------------------------------|--------------------|------------------------|

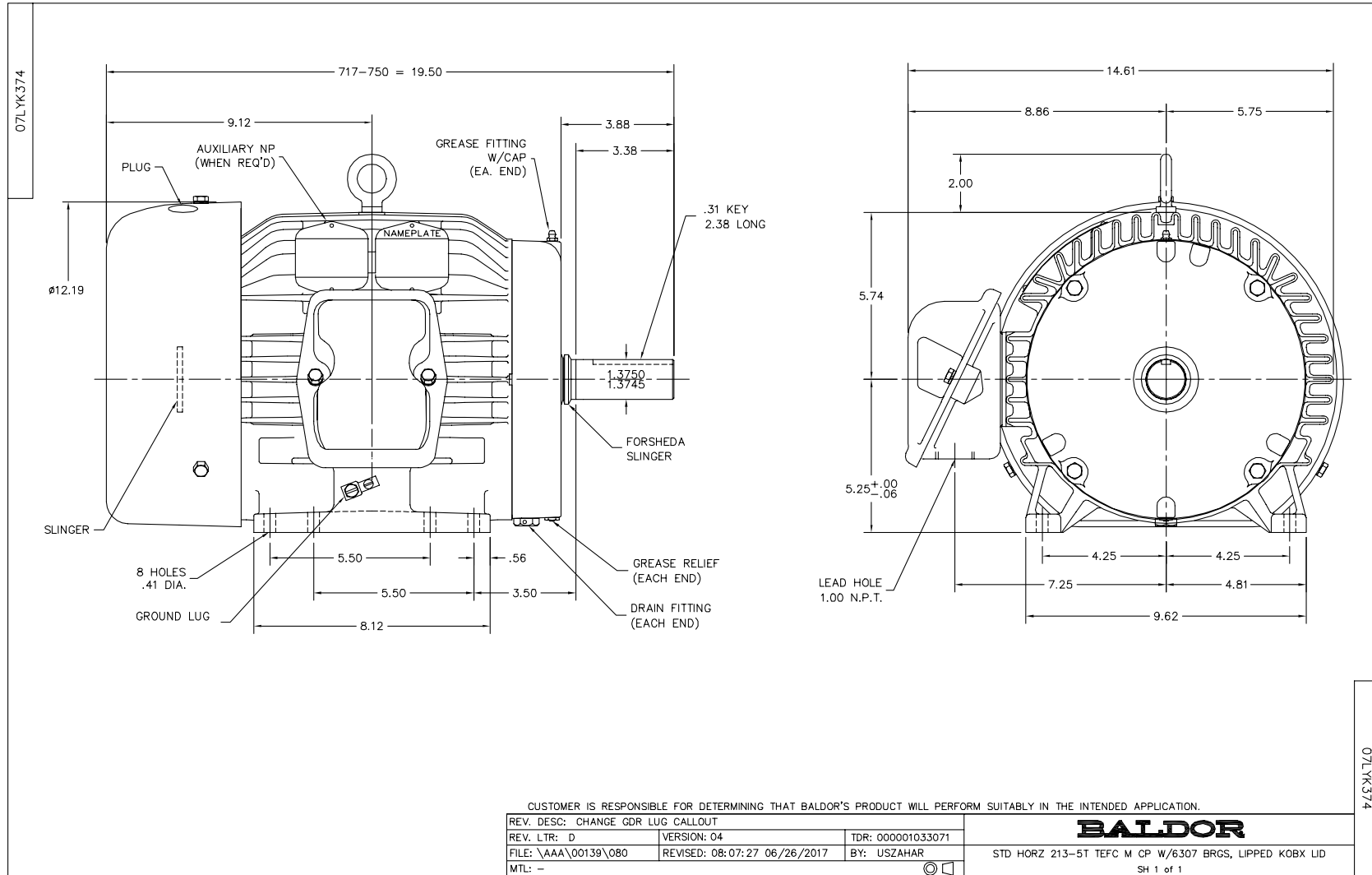
| Nameplate Data | | | | 460 V, 60 Hz: High Voltage Connection | |
|-----------------------|--------------|--------------|----|--|--------------------------|
| Rated Output (HP) | 3 | | | Full Load Torque | 13.46 LB-FT |
| Volts | 230/460 | | | Start Configuration | direct on line |
| Full Load Amps | 9/4.5 | | | Breakdown Torque | 46.79 LB-FT |
| R.P.M. | 1165 | | | Pull-up Torque | 30.52 LB-FT |
| Hz | 60 | Phase | 3 | Locked-rotor Torque | 34.44 LB-FT |
| NEMA Design Code | B | KVA Code | K | Starting Current | 32 A |
| Service Factor (S.F.) | 1.15 | | | No-load Current | 2.35 A |
| NEMA Nom. Eff. | 90.2 | Power Factor | 70 | Line-line Res. @ 25°C | 2.62 Ω |
| Rating - Duty | 40C AMB-CONT | | | Temp. Rise @ Rated Load | 31°C |
| S.F. Amps | | | | Temp. Rise @ S.F. Load | 37°C |
| | | | | Locked-rotor Power Factor | 22.7 |
| | | | | Rotor inertia | 0.945 LB-FT ² |

Load Characteristics 460 V, 60 Hz, 3 HP

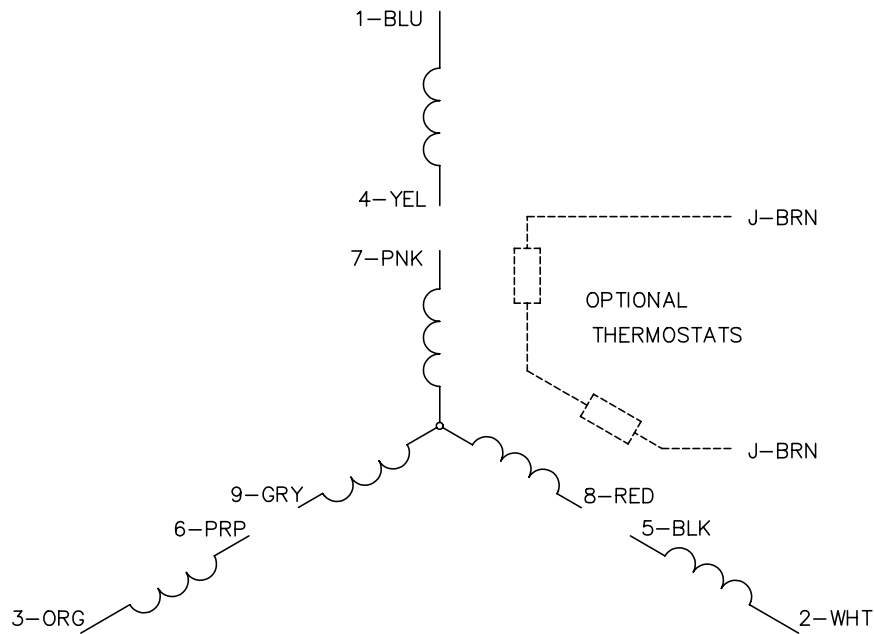
| % of Rated Load | 25 | 50 | 75 | 100 | 125 | 150 | S.F. |
|-----------------|------|------|------|------|------|------|------|
| Power Factor | 33 | 51 | 62 | 69 | 73 | 75 | 72 |
| Efficiency | 83.1 | 88.7 | 90.7 | 90.3 | 89.4 | 87.7 | 89.6 |
| Speed | 1191 | 1184 | 1176 | 1170 | 1160 | 1147 | 1162 |
| Line amperes | 2.62 | 3.11 | 3.75 | 4.51 | 5.38 | 6.39 | 5 |

Performance Graph at 460V, 60Hz, 3.0HP Typical performance - Not guaranteed values

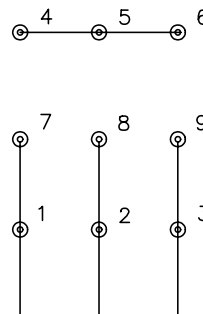




CD0005

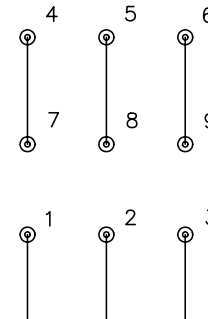


LOW VOLTAGE
(2Y)



LINE

HIGH VOLTAGE
(1Y)



LINE

NOTES:

1. INTERCHANGE ANY TWO LINE LEADS TO REVERSE ROTATION.
2. OPTIONAL THERMOSTATS ARE PROVIDED WHEN SPECIFIED.
3. ACTUAL NUMBER OF INTERNAL PARALLEL CIRCUITS MAY BE A MULTIPLE OF THOSE SHOWN ABOVE.
4. LEAD COLORS ARE OPTIONAL. LEADS MUST ALWAYS BE NUMBERED AS SHOWN.

| | | | |
|---|---------|-------------------------|--------------|
| REV. DESC: REVISE TO SHOW OPTIONAL COLORS | | | |
| REV. LTR: E | BY: JLP | REVISED: 01/19/99 10:15 | TDR: 0171435 |
| 900000 | | FILE: AAA00005140 | MDL: - |
| | | MTL: - | |

BALDOR ELECTRIC Co.

3PH, DV, 9 LEADS

CD0005