

**BALDOR® • RELIANCE** 

**Product Information Packet**

**ECP3769T-5**

**7.5HP,3510RPM,3PH,60HZ,213T,0732M,TEFC,F**

Part Detail							
Revision:	M	Status:	PRD/A	Change #:		Proprietary:	No
Type:	AC	Elec. Spec:	07WGY902	CD Diagram:	CD0006	Mfg Plant:	
Mech. Spec:	07K374	Layout:	07LYK374	Poles:	02	Created Date:	06-11-2013
Base:	RG	Eff. Date:	10-02-2017	Leads:	3#14		

Specs			
Catalog Number:	ECP3769T-5	Inverter Code:	Inverter Duty
Enclosure:	TEFC	KVA Code:	H
Frame:	213T	Lifting Lugs:	Standard Lifting Lugs
Frame Material:	Iron	Locked Bearing Indicator:	No Locked Bearing
Output @ Frequency:	7.500 HP @ 60 HZ	Motor Lead Quantity/Wire Size:	3 @ 14 AWG
Synchronous Speed @ Frequency:	3600 RPM @ 60 HZ	Motor Lead Exit:	Ko Box
Voltage @ Frequency:	575.0 V @ 60 HZ	Motor Lead Termination:	Flying Leads
XP Class and Group:	None	Motor Type:	0732M
XP Division:	Not Applicable	Mounting Arrangement:	F1
Agency Approvals:	CSA EEV	Power Factor:	88
	UR	Product Family:	Chemical Processing (Not DC)
	CSA	Pulley End Bearing Type:	Ball
	CCSA US	Pulley Face Code:	Standard
Auxillary Box:	No Auxillary Box	Pulley Shaft Indicator:	Standard
Auxillary Box Lead Termination:	None	Rodent Screen:	None
Base Indicator:	Rigid	RoHS Status:	ROHS COMPLIANT
Bearing Grease Type:	Polyrex EM (-20F +300F)	Shaft Extension Location:	Pulley End
Blower:	None	Shaft Ground Indicator:	No Shaft Grounding

<b>Constant Torque Speed Range:</b>	6	<b>Shaft Rotation:</b>	Reversible
<b>Current @ Voltage:</b>	6.900 A @ 575.0 V	<b>Shaft Slinger Indicator:</b>	Shaft Slinger
<b>Design Code:</b>	B	<b>Speed Code:</b>	Single Speed
<b>Drip Cover:</b>	No Drip Cover	<b>Motor Standards:</b>	NEMA
<b>Duty Rating:</b>	CONT	<b>Starting Method:</b>	Direct on line
<b>Electrically Isolated Bearing:</b>	Not Electrically Isolated	<b>Thermal Device - Bearing:</b>	NONE (OLD)
<b>Feedback Device:</b>	NO FEEDBACK	<b>Thermal Device - Winding:</b>	None
<b>Front Face Code:</b>	Standard	<b>Vibration Sensor Indicator:</b>	No Vibration Sensor
<b>Front Shaft Indicator:</b>	None	<b>Winding Thermal 1:</b>	None
<b>Heater Indicator:</b>	No Heater	<b>Winding Thermal 2:</b>	None
<b>Insulation Class:</b>	F	<b>XP Temp Code:</b>	T3C

Nameplate NP3257E

<b>CAT.NO.</b>	ECP3769T-5		
<b>SPEC.</b>	07K374Y902G2		
<b>HP</b>	7.5	TE	
<b>VOLTS</b>	575		
<b>AMP</b>	6.9		
<b>RPM</b>	3510		
<b>FRAME</b>	213T	<b>HZ</b>	60
<b>SER.F.</b>	1.15	<b>CODE</b>	H
<b>RATING</b>	40C AMB-CONT		
<b>SN</b>			
<b>DE</b>	6307	<b>ODE</b>	6307
<b>NEMA-NOM-EFF</b>	91.7	<b>PF</b>	88
<b>G.MIN.EFF</b>	90.2	<b>CC</b>	010A
<b>T. CODE</b>	T3C	<b>T=</b>	160

<b>PH</b>	3
<b>CL</b>	F

<b>Nameplate NP3260E</b>	
<b>SPEC.</b>	07K374Y902G2
<b>D.E. BRG.</b>	35BC03XP30X
<b>O.D.E. BRG.</b>	35BC03XP30X
<b>GREASE</b>	POLYREX EM
<b>RPM MAX</b>	5400
	<b>MAX. KVAR</b> 0.3
<b>BLANK</b>	
<b>INV. TYPE</b>	PWM
<b>T=</b>	160
<b>C HP FR</b>	60
<b>CT HZ FROM</b>	6
<b>VT HZ FROM</b>	3
<b>HTR-VOLTS</b>	
<b>HTR-WATTS</b>	
<b>C HP TO</b>	90
<b>CT HZ TO</b>	60
<b>VT HZ TO</b>	60
<b>HTR-AMPS</b>	
	<b>MAX. SPACE HEATER TEMP.</b>

Parts List		
Part Number	Description	Quantity
SA264463	SA 07K374Y902G2	1.000 EA
RA251173	RA 07K374Y902G2	1.000 EA
36FN3000C02SP	EXFN, PLASTIC, 5.25 OD, 1.175 ID	1.000 EA
HW3201A05	3/8-16 EYEBOLT	1.000 EA
09CB1001A03G	CONDUIT BOX, MACH GRAY	1.000 EA
RM1017	LEAD SEPERATOR GASKET MODEL 307 1/8" THK	1.000 EA
19XW2520A16	SCREW,1/4-20X1 TAPTITE-II OR ROLOC 91	2.000 EA
11XW1032G06	10-32 X .38, TAPTITE II, HEX WSHR SLTD U	1.000 EA
HW3001B01	BRASS CUP WASHER, FOR #10 SCREW	1.000 EA
10XN2520S06	1/4 20X3/8 HX HD CAP S.S.	2.000 EA
WD1000B16	T&B CX70TN TERMINAL	1.000 EA
37EP1101C43G	TEFC 307 BRG, GRSR,RELIEF,.25-20 FH TAPS	1.000 EA
HW4500A01	1641B(ALEMITE)400 UNIV, GREASE FITT	1.000 EA
HA4051A00	PLASTIC CAP FOR GREASE FITTING	1.000 EA
HW4500A17	317400 ALEMITE GREASE RELIEF	1.000 EA
HA4054	SHORT T-DRAIN FITTING, .125" N.P.T.	1.000 EA
HW5100A08	W3118-035 WVY WSHR (WB)	1.000 EA
37EP1101A32G	PU ENDPLATE MACH	1.000 EA
HW4500A01	1641B(ALEMITE)400 UNIV, GREASE FITT	1.000 EA
HA4051A00	PLASTIC CAP FOR GREASE FITTING	1.000 EA
HW4500A17	317400 ALEMITE GREASE RELIEF	1.000 EA
HA4054	SHORT T-DRAIN FITTING, .125" N.P.T.	1.000 EA
XY3118A12	5/16-18 HEX NUT DIRECTIONAL SERRATION	4.000 EA
51XB1214A20	12-14X1.25 HXWSSLD SERTYB	1.000 EA

Parts List (continued)		
Part Number	Description	Quantity
07FH1001A01G	SPL FAN HOUSING, 307, W/GREASER, GRAY EP	1.000 EA
10XN2520A28	1/4-20X 1 3/4 HEX HD	3.000 EA
WD4100A02	DP-1000 HEYCO PLUG OR 62MP1000 MICRO PL	1.000 EA
09CB1504A01G	LIPPED CONDUIT BOX LID, MACH GRAY EPOXY	1.000 EA
09GS1001A01	GASKET, BOX LID, 1/8 THICK BLACK NEOPREN	1.000 EA
10XN2520A12	O1/4-20X 3/4 HEX HEAD CAP	2.000 EA
HW1001A25	LOCKWASHER 1/4, ZINC PLT .493 OD, .255 I	2.000 EA
HA1005A07	SLINGER, OD 2.25, ID 1.344, 307 BRG	1.000 EA
HW4600B33	V-RING SLINGER 1.375 X 1.890 X .35 VITON	1.000 EA
HW2501F21	KEY, 5/16 SQ X 2.375	1.000 EA
HA7000A02	KEY RETAINER RING, 1 1/8 DIA, 1 3/8 DIA	1.000 EA
MJ5001A27	32220KN GRAY SEALER *MIN BUY 4 QTS=1GAL	0.001 QT
85XU0407S04	4X1/4 U DRIVE PIN STAINLESS	2.000 EA
LB1115N	LABEL,LIFTING DEVICE (ON ROLLS)	1.000 EA
LB1002N	LABEL,MARINE DUTY (ON ROLLS)	1.000 EA
MJ1000A02	GREASE, POLYREX EM EXXON (USe 4824-15A)	0.050 LB
HA3104A32	THRUBOLT- 5/16-18 X12.750	4.000 EA
MG1025N19	WILKOFASST, 778.50, RELIANCE BLUE-GREEN	0.036 GA
LB1119N	WARNING LABEL	1.000 EA
LB1449	DIV-2/NEC WARNING LABEL	1.000 EA
LC0006	CONNECTION LABEL	1.000 EA
NP3257E	SS CP SUPER-E DIV-2 UL CSA-C US EEV PREM	1.000 EA
NP3260E	SS CP SUPER-E AUX DATA INFORMATION	1.000 EA
85XU0407S04	4X1/4 U DRIVE PIN STAINLESS	2.000 EA

Product Information Packet: ECP3769T-5 - 7.5HP,3510RPM,3PH,60HZ,213T,0732M,TEFC,F

---

07PA1011	PKG GRP, 07 CAST IRON PK1181	1.000 EA
MN416A01	TAG-INSTAL-MAINT no wire (1200/bx) 5/18	1.000 EA



**AC Induction Motor Performance Data**

Record # 47128 - Typical performance - not guaranteed values

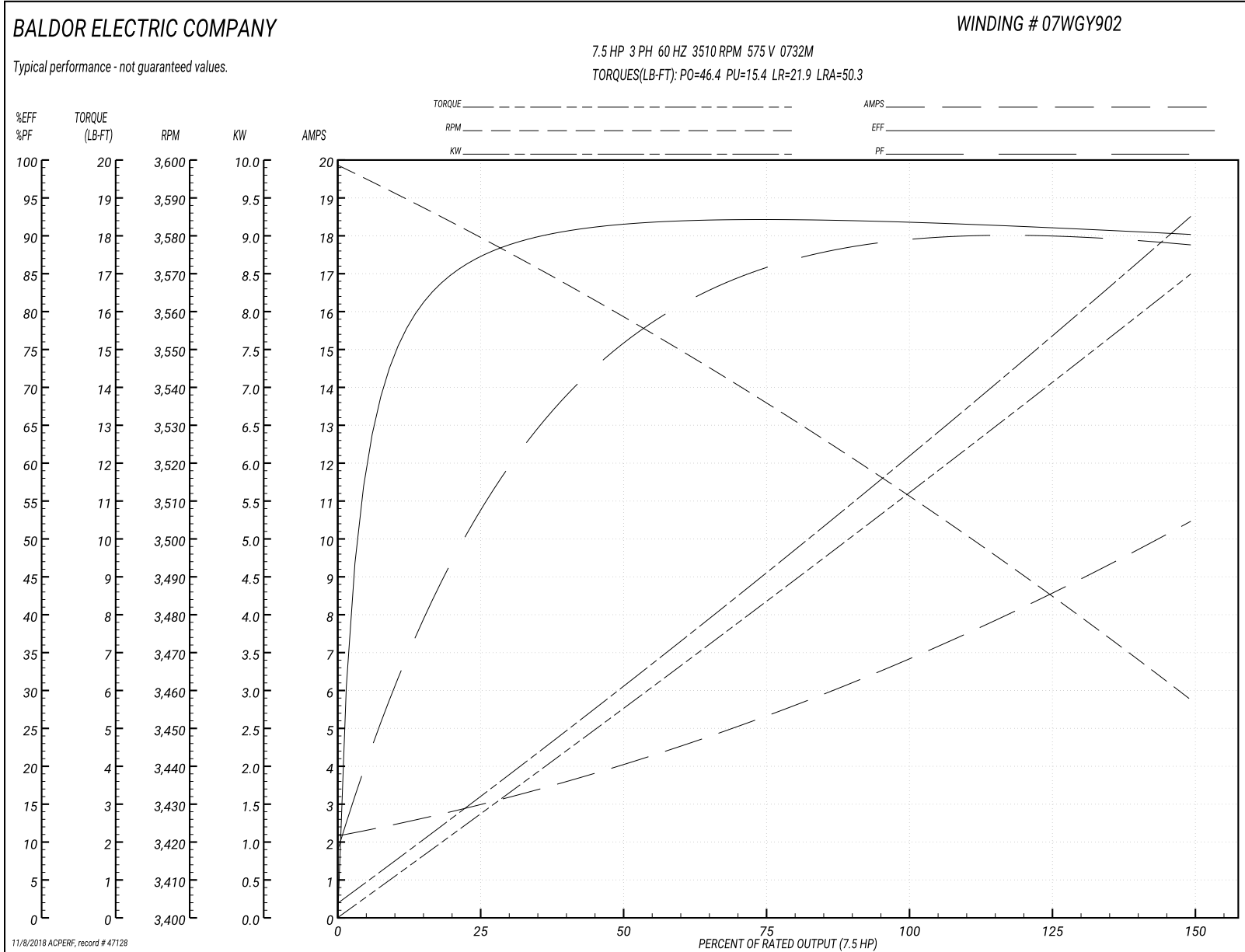
<b>Winding:</b> 07WGY902-R007	<b>Type:</b> 0732M	<b>Enclosure:</b> TEFC
-------------------------------	--------------------	------------------------

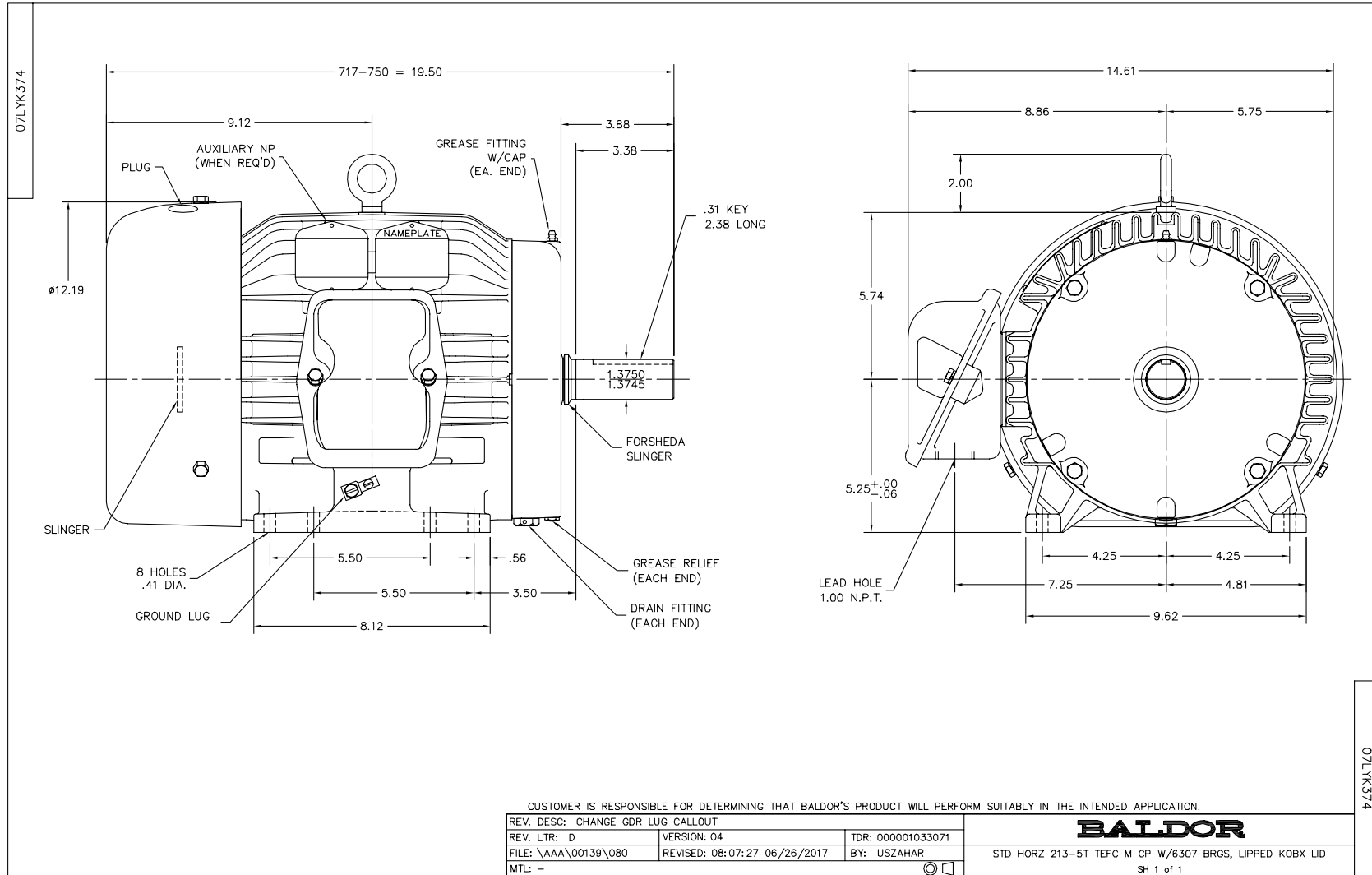
Nameplate Data				575 V, 60 Hz: Single Voltage Motor	
Rated Output (HP)	7.5			Full Load Torque	11.1 LB-FT
Volts	575			Start Configuration	direct on line
Full Load Amps	6.9			Breakdown Torque	46.4 LB-FT
R.P.M.	3510			Pull-up Torque	15.4 LB-FT
Hz	60	Phase	3	Locked-rotor Torque	21.9 LB-FT
NEMA Design Code	B	KVA Code	H	Starting Current	50.3 A
Service Factor (S.F.)	1.15			No-load Current	2.28 A
NEMA Nom. Eff.	91.7	Power Factor	88	Line-line Res. @ 25°C	1.73 Ω
Rating - Duty	40C AMB-CONT			Temp. Rise @ Rated Load	41°C
S.F. Amps				Temp. Rise @ S.F. Load	50°C
				Locked-rotor Power Factor	31.7
				Rotor inertia	0.292 LB-FT <sup>2</sup>

Load Characteristics 575 V, 60 Hz, 7.5 HP

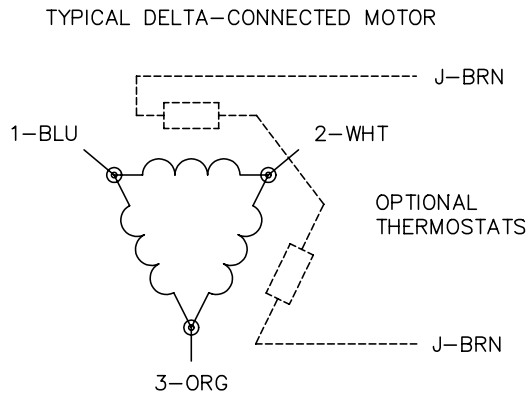
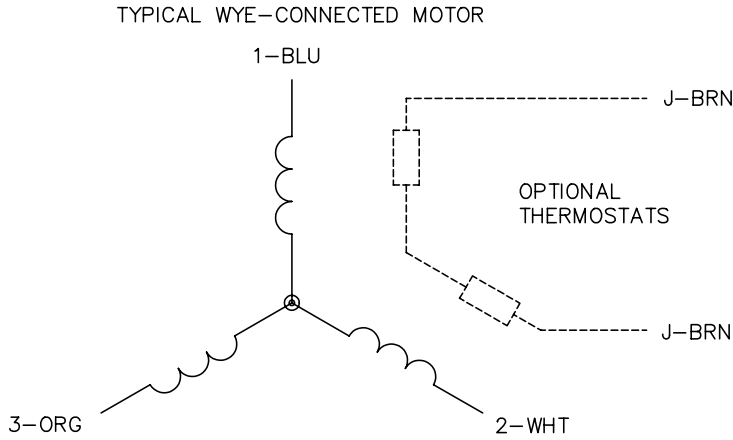
% of Rated Load	25	50	75	100	125	150	S.F.
Power Factor	56	77	85	88	89	89	89
Efficiency	86.9	91.2	92.2	91.9	91.2	90.2	91.3
Speed	3580	3559	3537	3512	3487	3457	3494
Line amperes	2.8	3.93	5.34	6.84	8.54	10.4	7.88

Performance Graph at 575V, 60Hz, 7.5HP Typical performance - Not guaranteed values





CD0006



NOTES:

1. THREE LEAD MOTOR MAY BE EITHER WYE CONNECTED OR DELTA CONNECTED.
2. INTERCHANGE ANY TWO LINE LEADS TO REVERSE ROTATION.
3. OPTIONAL THERMOSTATS ARE PROVIDED WHEN SPECIFIED.
4. ACTUAL NUMBER OF INTERNAL PARALLEL CIRCUITS MAY VARY.
5. LEAD COLORS ARE OPTIONAL. LEADS MUST BE NUMBERED AS SHOWN.

REV. DESC: REVISE TO SHOW OPTIONAL COLORS			
REV. LTR: D	BY: JLP	REVISED: 01/21/99 4:02	TDR: 0171435
9000D		FILE: AAA00005141	MDL: -
		MTL: -	

**BALDOR ELECTRIC Co.**

3PH, SV, 3 LEADS, WYE OR DELTA CONNECTED

CD0006