

BALDOR® • RELIANCE 

Product Information Packet

ECP3774T-5

10HP,1760RPM,3PH,60HZ,215T,0748M,TEFC,F1

Part Detail							
Revision:	T	Status:	PRD/A	Change #:		Proprietary:	No
Type:	AC	Elec. Spec:	07WGX493	CD Diagram:	CD0006	Mfg Plant:	
Mech. Spec:	07K374	Layout:	07LYK374	Poles:	04	Created Date:	03-19-2009
Base:	RG	Eff. Date:	06-12-2018	Leads:	3#14		

Specs			
Catalog Number:	ECP3774T-5	Insulation Class:	F
Enclosure:	TEFC	Inverter Code:	Inverter Duty
Frame:	215T	KVA Code:	H
Frame Material:	Iron	Lifting Lugs:	Standard Lifting Lugs
Output @ Frequency:	10.000 HP @ 60 HZ	Locked Bearing Indicator:	No Locked Bearing
Synchronous Speed @ Frequency:	1800 RPM @ 60 HZ	Motor Lead Quantity/Wire Size:	3 @ 14 AWG
Voltage @ Frequency:	575.0 V @ 60 HZ	Motor Lead Exit:	Ko Box
XP Class and Group:	CLI GP A,B,C,D	Motor Lead Termination:	Flying Leads
XP Division:	Division II	Motor Type:	0748M
Agency Approvals:	CSA EEV	Mounting Arrangement:	F1
	UR	Power Factor:	81
	CSA	Product Family:	Super-E Chemical Processing
	CCSA US	Pulley End Bearing Type:	Ball
Auxillary Box:	No Auxillary Box	Pulley Face Code:	Standard
Auxillary Box Lead Termination:	None	Pulley Shaft Indicator:	Standard
Base Indicator:	Rigid	Rodent Screen:	None
Bearing Grease Type:	Polyrex EM (-20F +300F)	Shaft Extension Location:	Pulley End
Blower:	None	Shaft Ground Indicator:	No Shaft Grounding

Constant Torque Speed Range:	1.3	Shaft Rotation:	Reversible
Current @ Voltage:	10.000 A @ 575.0 V	Shaft Slinger Indicator:	Shaft Slinger
Design Code:	A	Speed Code:	Single Speed
Drip Cover:	No Drip Cover	Motor Standards:	NEMA
Duty Rating:	CONT	Starting Method:	Direct on line
Electrically Isolated Bearing:	Not Electrically Isolated	Thermal Device - Bearing:	NONE (OLD)
Feedback Device:	NO FEEDBACK	Thermal Device - Winding:	None
Front Face Code:	Standard	Vibration Sensor Indicator:	No Vibration Sensor
Front Shaft Indicator:	None	Winding Thermal 1:	None
Heater Indicator:	No Heater	Winding Thermal 2:	None
		XP Temp Code:	T3C

Nameplate NP3257E

CAT.NO.	ECP3774T-5		
SPEC.	07K374X493		
HP	10	TE	
VOLTS	575		
AMP	10		
RPM	1760		
FRAME	215T	HZ	60
SER.F.	1.15	CODE	H
RATING	40C AMB-CONT		
SN			
DE	6307	ODE	6307
NEMA-NOM-EFF	92.4	PF	81
G.MIN.EFF	91.0	CC	010A
T. CODE	T3C	T=	160

PH	3
CL	F

Nameplate NP3260E	
SPEC.	07K374X493
D.E. BRG.	35BC03XP30X
O.D.E. BRG.	35BC03XP30X
GREASE	POLYREX EM
RPM MAX	2700
	MAX. KVAR 1.9
BLANK	
INV. TYPE	PWM
T=	160
C HP FR	60
CT HZ FROM	1.3
VT HZ FROM	0-
HTR-VOLTS	
HTR-WATTS	
C HP TO	90
CT HZ TO	60
VT HZ TO	60
HTR-AMPS	
	MAX. SPACE HEATER TEMP.

Parts List		
Part Number	Description	Quantity
SA180527	SA 07K374X493	1.000 EA
RA168488	RA 07K374X493	1.000 EA
37FN3002C01	EXFN, PLASTIC, 6.00 OD, 1.155 ID	1.000 EA
HW3201A05	3/8-16 EYEBOLT	1.000 EA
09CB1001A03G	CONDUIT BOX, MACH GRAY	1.000 EA
RM1017	LEAD SEPERATOR GASKET MODEL 307 1/8" THK	1.000 EA
19XW2520A16	SCREW,1/4-20X1 TAPTITE-II OR ROLOC 91	2.000 EA
11XW1032G06	10-32 X .38, TAPTITE II, HEX WSHR SLTD U	1.000 EA
HW3001B01	BRASS CUP WASHER, FOR #10 SCREW	1.000 EA
10XN2520S06	1/4 20X3/8 HX HD CAP S.S.	2.000 EA
WD1000B16	T&B CX70TN TERMINAL	1.000 EA
37EP1101C43G	TEFC 307 BRG, GRSR,RELIEF,.25-20 FH TAPS	1.000 EA
HW4500A01	1641B(ALEMITE)400 UNIV, GREASE FITT	1.000 EA
HA4051A00	PLASTIC CAP FOR GREASE FITTING	1.000 EA
HW4500A17	317400 ALEMITE GREASE RELIEF	1.000 EA
HA4054	SHORT T-DRAIN FITTING, .125" N.P.T.	1.000 EA
HW5100A08	W3118-035 WVY WSHR (WB)	1.000 EA
37EP1101A32G	PU ENDPLATE MACH	1.000 EA
HW4500A01	1641B(ALEMITE)400 UNIV, GREASE FITT	1.000 EA
HA4051A00	PLASTIC CAP FOR GREASE FITTING	1.000 EA
HW4500A17	317400 ALEMITE GREASE RELIEF	1.000 EA
HA4054	SHORT T-DRAIN FITTING, .125" N.P.T.	1.000 EA
XY3118A12	5/16-18 HEX NUT DIRECTIONAL SERRATION	4.000 EA
51XB1214A20	12-14X1.25 HXWSSLD SERTYB	1.000 EA

Parts List (continued)		
Part Number	Description	Quantity
07FH1001A01G	SPL FAN HOUSING, 307, W/GREASER, GRAY EP	1.000 EA
10XN2520A28	1/4-20X 1 3/4 HEX HD	3.000 EA
WD4100A02	DP-1000 HEYCO PLUG OR 62MP1000 MICRO PL	1.000 EA
09CB1504A01G	LIPPED CONDUIT BOX LID, MACH GRAY EPOXY	1.000 EA
09GS1001A01	GASKET, BOX LID, 1/8 THICK BLACK NEOPREN	1.000 EA
10XN2520A12	O1/4-20X 3/4 HEX HEAD CAP	2.000 EA
HW1001A25	LOCKWASHER 1/4, ZINC PLT .493 OD, .255 I	2.000 EA
HA1005A07	SLINGER, OD 2.25, ID 1.344, 307 BRG	1.000 EA
HW4600B33	V-RING SLINGER 1.375 X 1.890 X .35 VITON	1.000 EA
HW2501F21	KEY, 5/16 SQ X 2.375	1.000 EA
HA7000A02	KEY RETAINER RING, 1 1/8 DIA, 1 3/8 DIA	1.000 EA
MJ5001A27	32220KN GRAY SEALER *MIN BUY 4 QTS=1GAL	0.001 QT
85XU0407S04	4X1/4 U DRIVE PIN STAINLESS	2.000 EA
LB1115N	LABEL,LIFTING DEVICE (ON ROLLS)	1.000 EA
LB1002N	LABEL,MARINE DUTY (ON ROLLS)	1.000 EA
MJ1000A02	GREASE, POLYREX EM EXXON (USe 4824-15A)	0.050 LB
HA3104A32	THRUBOLT- 5/16-18 X12.750	4.000 EA
MG1025G29	WILKOFASST, 789.229, DARK CHARCOAL GRAY	0.036 GA
LB1119N	WARNING LABEL	1.000 EA
LB1449	DIV-2/NEC WARNING LABEL	1.000 EA
LC0006	CONNECTION LABEL	1.000 EA
NP3257E	SS CP SUPER-E DIV-2 UL CSA-C US EEV PREM	1.000 EA
NP3260E	SS CP SUPER-E AUX DATA INFORMATION	1.000 EA
85XU0407S04	4X1/4 U DRIVE PIN STAINLESS	2.000 EA

07PA1011	PKG GRP, 07 CAST IRON PK1181	1.000 EA
MN416A01	TAG-INSTAL-MAINT no wire (1200/bx) 5/18	1.000 EA

Accessories		
Part Number	Description	Multiplier
37-1304	C FACE KIT	A8

AC Induction Motor Performance Data

Record # 47026 - Typical performance - not guaranteed values

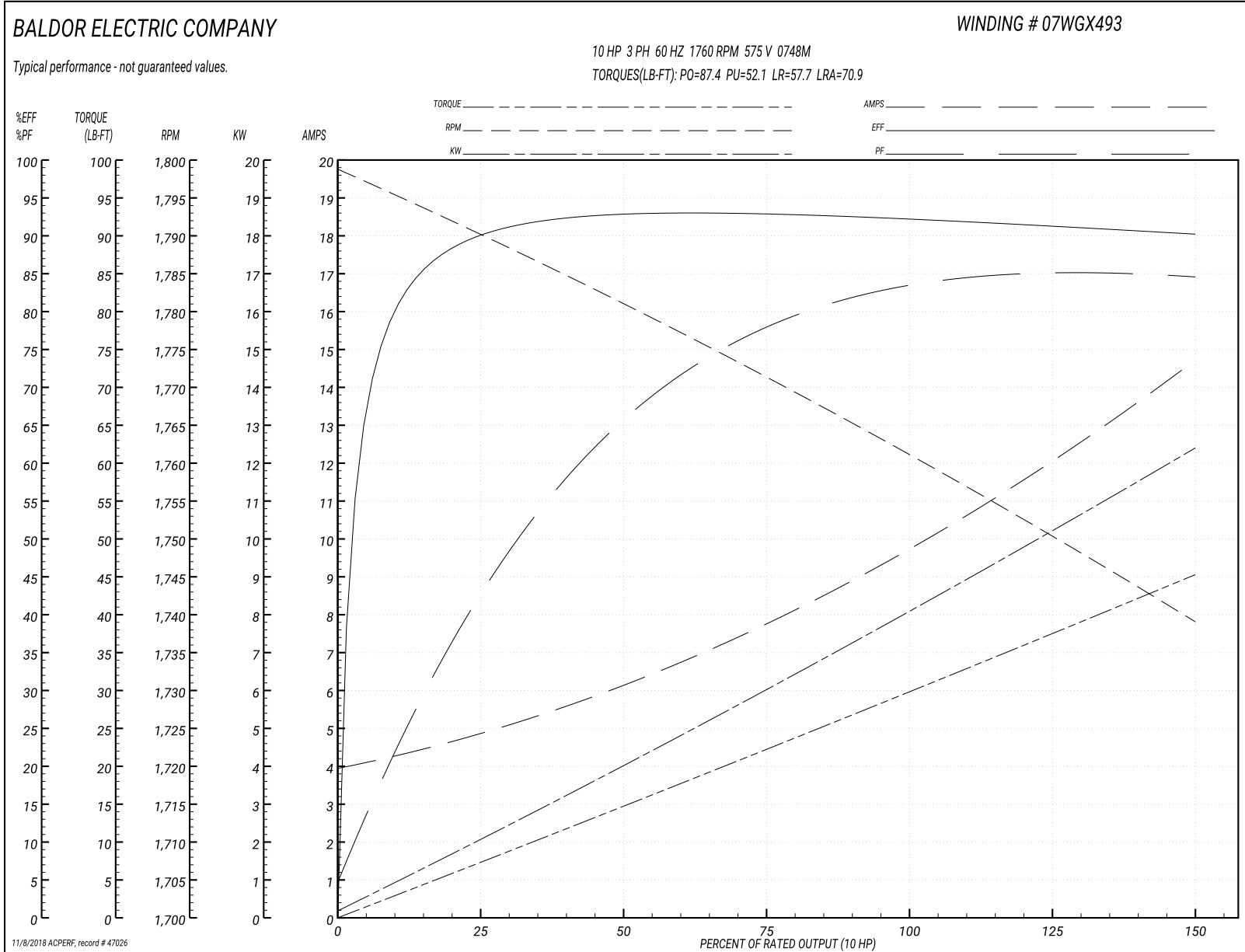
Winding: 07WGX493-R017	Type: 0748M	Enclosure: TEFC
-------------------------------	--------------------	------------------------

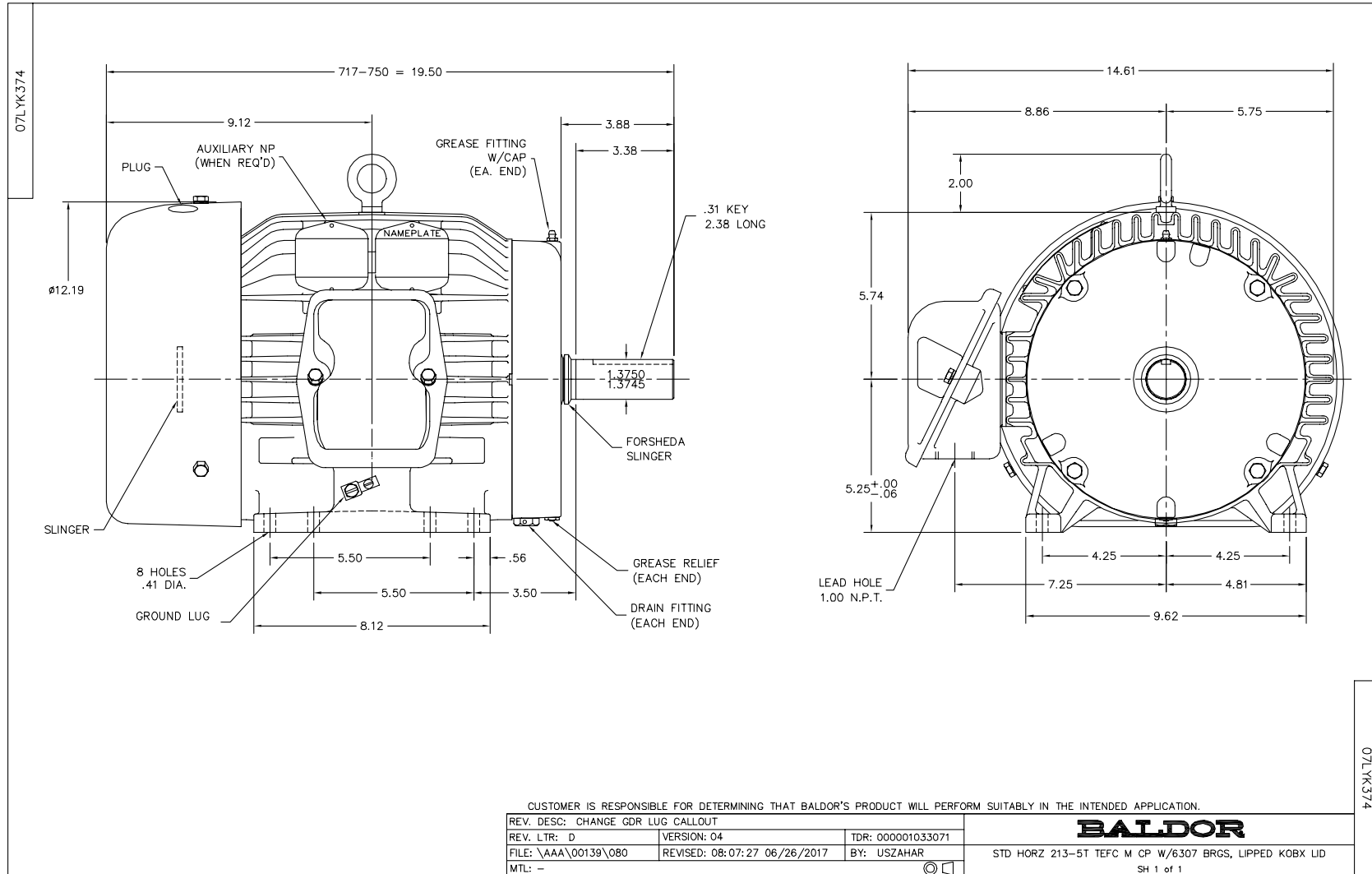
Nameplate Data				575 V, 60 Hz: Single Voltage Motor	
Rated Output (HP)	10			Full Load Torque	29.7 LB-FT
Volts	575			Start Configuration	direct on line
Full Load Amps	10			Breakdown Torque	87.4 LB-FT
R.P.M.	1760			Pull-up Torque	52.1 LB-FT
Hz	60	Phase	3	Locked-rotor Torque	57.7 LB-FT
NEMA Design Code	A	KVA Code	H	Starting Current	70.9 A
Service Factor (S.F.)	1.15			No-load Current	4.1 A
NEMA Nom. Eff.	92.4	Power Factor	81	Line-line Res. @ 25°C	1.44 Ω
Rating - Duty	40C AMB-CONT			Temp. Rise @ Rated Load	59°C
S.F. Amps				Temp. Rise @ S.F. Load	73°C
				Rotor inertia	1.18 LB-FT ²

Load Characteristics 575 V, 60 Hz, 10 HP

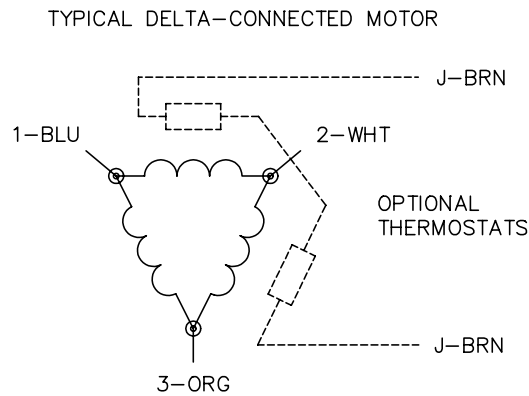
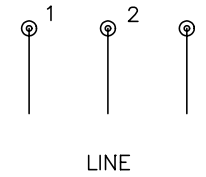
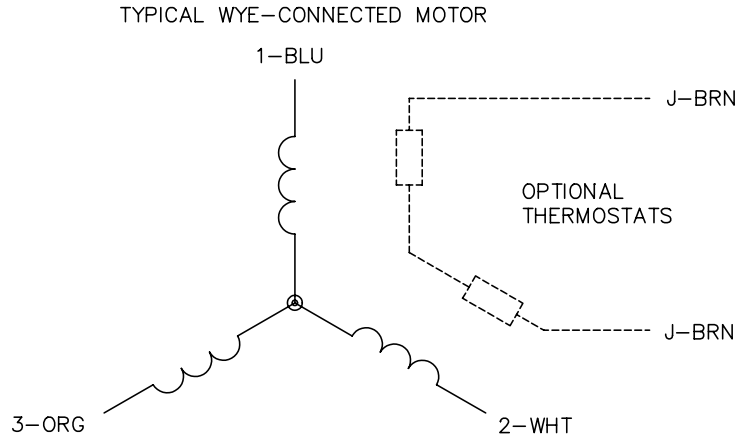
% of Rated Load	25	50	75	100	125	150	S.F.
Power Factor	44	67	78	83	84	85	84
Efficiency	89.7	92.9	92.9	92.1	91.4	90.2	91.7
Speed	1790	1781	1771	1762	1750	1739	1755
Line amperes	4.67	6.02	7.8	9.82	12.2	14.6	11.2

Performance Graph at 575V, 60Hz, 10.0HP Typical performance - Not guaranteed values





CD0006



NOTES:

1. THREE LEAD MOTOR MAY BE EITHER WYE CONNECTED OR DELTA CONNECTED.
2. INTERCHANGE ANY TWO LINE LEADS TO REVERSE ROTATION.
3. OPTIONAL THERMOSTATS ARE PROVIDED WHEN SPECIFIED.
4. ACTUAL NUMBER OF INTERNAL PARALLEL CIRCUITS MAY VARY.
5. LEAD COLORS ARE OPTIONAL. LEADS MUST BE NUMBERED AS SHOWN.

REV. DESC: REVISE TO SHOW OPTIONAL COLORS			
REV. LTR: D	BY: JLP	REVISED: 01/21/99 4:02	TDR: 0171435
9000D		FILE: AAA00005141	MDL: -
		MTL: -	

BALDOR ELECTRIC Co.

3PH, SV, 3 LEADS, WYE OR DELTA CONNECTED

CD0006