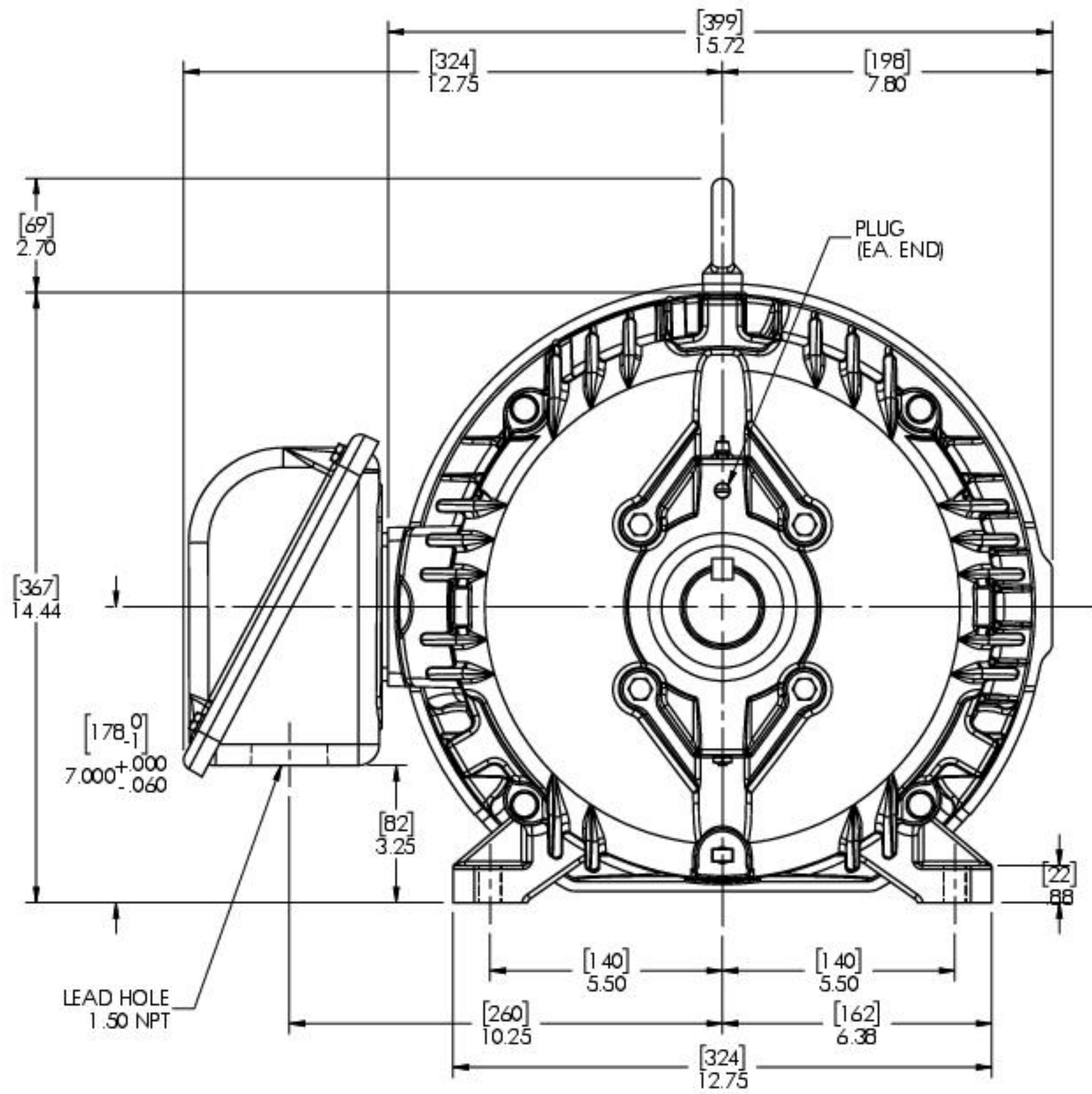
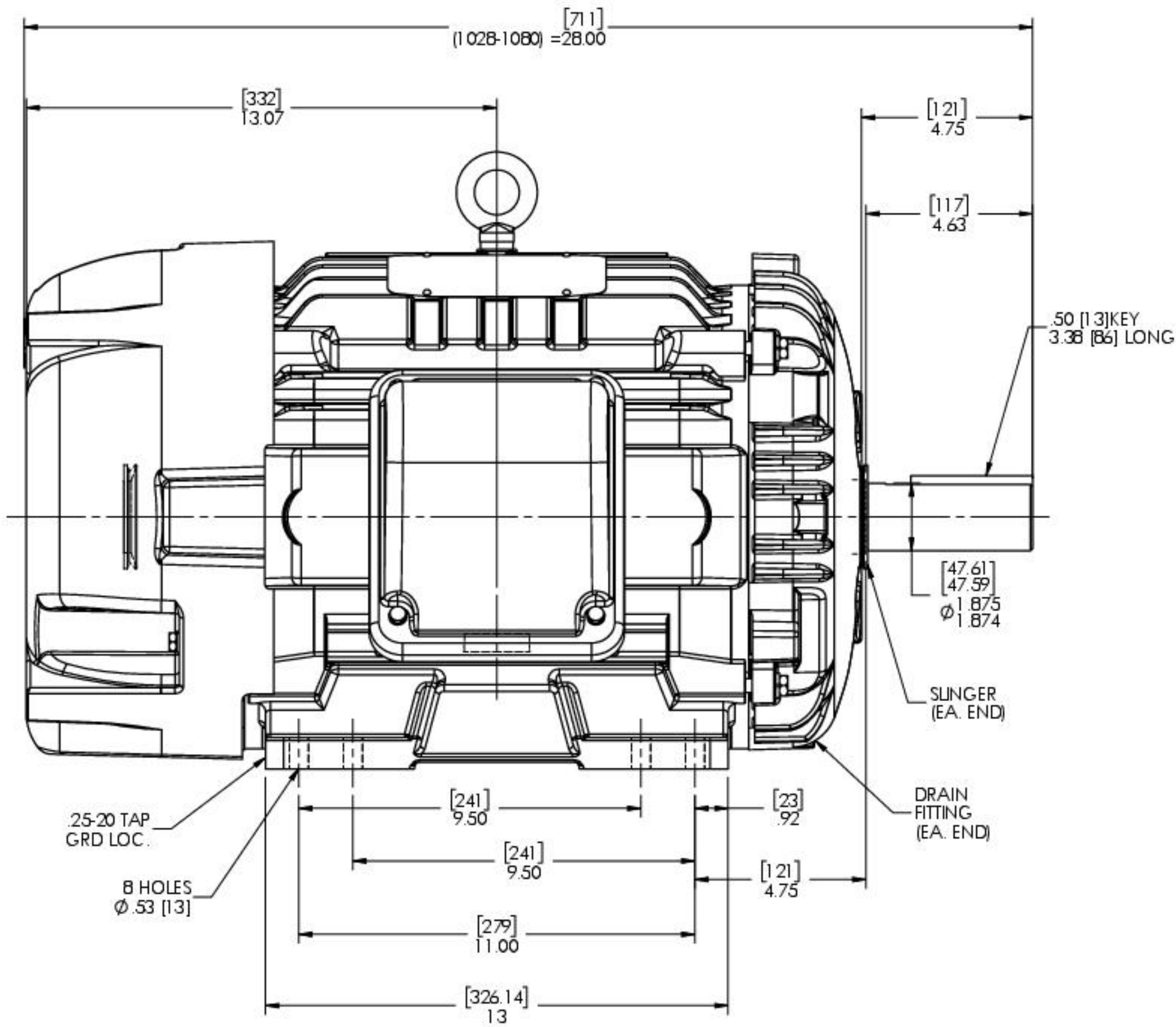


10LYH292

D
C
B
A



D
C
B
A

CUSTOMER IS RESPONSIBLE FOR DETERMINING THAT BALDOR'S PRODUCT WILL PERFORM SUITABLY IN THE INTENDED APPLICATION

REV. DESC: ADD METRIC DIMS			
REV: H	VERSION: 08	REVISED: 01:34:44 05/01/2023	TDR: 000001207975
MODEL NO. 10LYH292			REF: -
BY: ENMINDO			B

BALDOR

HORZ TEFC 384-6T ECP W/311 BRGS & PLS

10LYH292

8 7 6 5 4 3 2 1