

BALDOR® • RELIANCE 

Product Information Packet

ECP44206TR-4

200HP, 1190RPM, 3PH, 60HZ, 449T, A44160M, TEFC

Part Detail							
Revision:	M	Status:	PRD/A	Change #:		Proprietary:	No
Type:	AC	Elec. Spec:	A44WG1497	CD Diagram:	416820-036	Mfg Plant:	
Mech. Spec:		Layout:	617427-003	Poles:	06	Created Date:	08-16-2012
Base:		Eff. Date:	03-15-2018	Leads:	3#1 (02 per group)		

Specs			
Catalog Number:	ECP44206TR-4	Heater Indicator:	No Heater
Enclosure:	TEFC	Insulation Class:	F
Frame:	449T	Inverter Code:	Not Inverter
Frame Material:	Iron	KVA Code:	G
Output @ Frequency:	200.000 HP @ 60 HZ	Lifting Lugs:	No Lifting Lugs
Synchronous Speed @ Frequency:	1200 RPM @ 60 HZ	Motor Lead Quantity/Wire Size:	6 @ 1 AWG
Voltage @ Frequency:	460.0 V @ 60 HZ	Motor Type:	A44160M
XP Class and Group:	None	Mounting Arrangement:	F1
XP Division:	Division II	Power Factor:	87
Agency Approvals:	CSA EEV	Pulley End Bearing Type:	Roller
Auxillary Box:	No Auxillary Box	Pulley Face Code:	Standard
Base Indicator:	Rigid	Shaft Ground Indicator:	No Shaft Grounding
Bearing Grease Type:	Mobil SHC 220 (Athens Only)	Shaft Rotation:	Reversible
Constant Torque Speed Range:	30-60	Shaft Slinger Indicator:	Shaft Slinger
Current @ Voltage:	225.000 A @ 460.0 V	Speed Code:	Single Speed
Design Code:	B	Motor Standards:	Other
Drip Cover:	No Drip Cover	Starting Method:	Direct on line
Duty Rating:	CONT	Thermal Device - Bearing:	NONE (OLD)

Feedback Device:	NO FEEDBACK	Thermal Device - Winding:	None
		XP Temp Code:	T3

Nameplate NP3238									
CAT NO	ECP44206TR-4	SPEC NO.	P44G3949						
HP	200	AMPS	225	VOLTS	460	DESIGN	B		
FRAME	449T	RPM	1190	HZ	60	AMB	40	SF	1.15
D.E. BRG.DATA	NU222	O.D.E. BRG.DATA	6318	PH	3	DUTY	CONT	INSUL.CLASS	F
D.E. BRG.	110RU02M30X	TYPE	P	ENCL	TEFC	CODE	G	NEMA NOM EFFICIENCY	95.8
O.D.E. BRG.	90BC03J30X	POWER FACTOR	87	MAX CORR KVAR	35.0	GUARANTEED EFFICIENCY	95.0		
3/4 LOAD EFF.	96.1	TEMP	= 200						
TEMP CODE	T3	CT HZ	30-60	VT HZ	0-60				
CHP HZ	60-90								
INVERTER-TEMP-CODE	T3								
SER.NO.		MOTOR WEIGHT							

Nameplate NP2496L

MOBIL SHC -220 GREASE

Parts List		
Part Number	Description	Quantity
SA249719	SA P44G3949	1.000 EA
RA236579	RA P44G3949	1.000 EA
NP3238	SS CP XEX SEVERE DUTY MAIN NP	1.000 EA
000692000FF	N/P	1.000 EA
000692000RT	N/P	1.000 EA
000692000VD	LABEL WARNING	1.000 EA
NP2496L	MOTOR LUBE NAMEPLATE	1.000 EA
004824015AP	GREASE MOBILITH SHC 220	1.156 LB
032018008CK	HHCS 3/8-16X1L PLATED	4.000 EA
032018020FK	HHCS 3/4-10X2-1/2 PLTD.	4.000 EA
032018030DK	HHCS 1/2-13X3-3/4 PLTD.	3.000 EA
032620016LA	SOCKET SET SCREW-449	3.000 EA
034017014AB	LCKW 3/8 STD. PLATED	4.000 EA
034180014DA	KEY 1/4X1/4X1-3/4 L	1.000 EA
034530064AB	P/NIP 1/8 X 8" L Pipe Nipple	1.000 EA
034530064BB	P/NIP 1/4X8 PLATED	1.000 EA
034631002AB	BUSH 1/4 TO 1/8 PLTD.	1.000 EA
034690005AB	PPLG 3/4 PLATED	2.000 EA
078550001H	FAN KB 120/60 360	1.000 EA
083199082A	G28 FAN COVER MACHINING SHORT VERSION	1.000 EA
089490099A	G28 BRKT 089490098WCA KB	1.000 EA
415045002A	SLGR	1.000 EA
415072001B	CLAMP	1.000 EA
415096002A	CPLG 1/8 HEX TYPE	1.000 EA

Parts List (continued)		
Part Number	Description	Quantity
418151014G	RETAIN RING	1.000 EA
702623022A	G28 AIR DEFLECTOR DRIVE END -- PLASTIC	1.000 EA
032018004BK	HHCS 5/16-18X1/2 PLATED	3.000 EA
032018006BK	HHCS 5/16-18X3/4 PLATED	3.000 EA
032018020FK	HHCS 3/4-10X2-1/2 PLTD.	4.000 EA
032018030DK	HHCS 1/2-13X3-3/4 PLTD.	3.000 EA
034017013AB	LCKW 5/16 STD. PLATED	3.000 EA
034530064AB	P/NIP 1/8 X 8" L Pipe Nipple	1.000 EA
034530064BB	P/NIP 1/4X8 PLATED	1.000 EA
034631002AB	BUSH 1/4 TO 1/8 PLTD.	1.000 EA
089490101A	G28 BRKT 089490100WCA	1.000 EA
415915007G	GASK, LAC	1.000 FT
415045002D	SLGR - 440	1.000 EA
415096002A	CPLG 1/8 HEX TYPE	1.000 EA
418151014H	RETAIN RING	1.000 EA
702623013A	THERMAL BARRIER -- G28 -- BRACKET MTD	1.000 EA
032018008BK	HHCS 5/16-18X1L PLATED	4.000 EA
032018008DK	HHCS 1/2-13X1 PLATED	4.000 EA
033512004LB	HHTTS 1/4-20X1/2 PLTD.	1.000 EA
035000001A	ALFTG 1/8" 1610-BL	1.000 EA
035000001A	ALFTG 1/8" 1610-BL	1.000 EA
067053014A	GASK 440	1.000 EA
076870000B	+CBCST BLKT - 440	1.000 EA
076871000A	+CBOX CVR BLKT - 449	1.000 EA

Product Information Packet: ECP44206TR-4 - 200HP,1190RPM,3PH,60HZ,449T,A44160M,TEFC

406056007A	GASKET, 440	1.000 EA
406099000A	PLUG - FAN COVER 320-440	1.000 EA
415000103D	T/LUG #4AWG-1/0AWG W/HOLE FOR .250 BOLT	1.000 EA
418150003A	GREASE FITTING CAP	1.000 EA
418150003A	GREASE FITTING CAP	1.000 EA
033775004EA	DRSCR #6-1/4 304 S.S.	2.000 EA
034180054KA	7/8 SQ X 6.75 KEY	1.000 EA
MG1025N19	WILKO 778.50 BLUE GREEN - 55 GAL DRUMS	0.375 GA
004824003CBY	WILKO PAINT 060.02 - ACTIVATOR	0.094 GA
L482401016	SPRAY AC-29-7S	0.013 GA
421948051	LABEL, MYLAR	1.000 EA
000613006PU	N/P (RELEASE QTY 10,000) UL CSA LABEL	1.000 EA
LB1449	DIV-2/NEC WARNING LABEL	1.000 EA
412118006A	DRAIN	2.000 EA
035000001G	GREASE RELIEF FITTING, ALEMITE 317400	1.000 EA
035000001G	GREASE RELIEF FITTING, ALEMITE 317400	1.000 EA

REL. S.O.	FRAME	HP	TYPE	PHASE/HERTZ	RPM	VOLTS
	449T	200	P	3/60	1190	460
AMPS	DUTY	AMB °C/ INSUL.	S.F.	NEMA DESIGN	CODE LETTER	ENCL.
225	CONT	40/F	1.15	B	G	TEFC
E/S	ROTOR	TEST S.O.	TEST DATE	STATOR RES. @25 °C (BETWEEN LINES)		
833245	418143-98-XE	---	---	.0220		

PERFORMANCE


LOAD	HP	AMPERES	RPM	POWER FACTOR %	EFFICIENCY %
NO LOAD	0	55.3	1200	4.16	0
1/4	50.1	86.1	1197	57.6	94.5
2/4	100	126	1194	77.6	96.1
3/4	150	173	1191	84.3	96.2
4/4	200	225	1188	86.7	95.8
5/4	250	282	1185	87.2	95.2

SPEED TORQUE

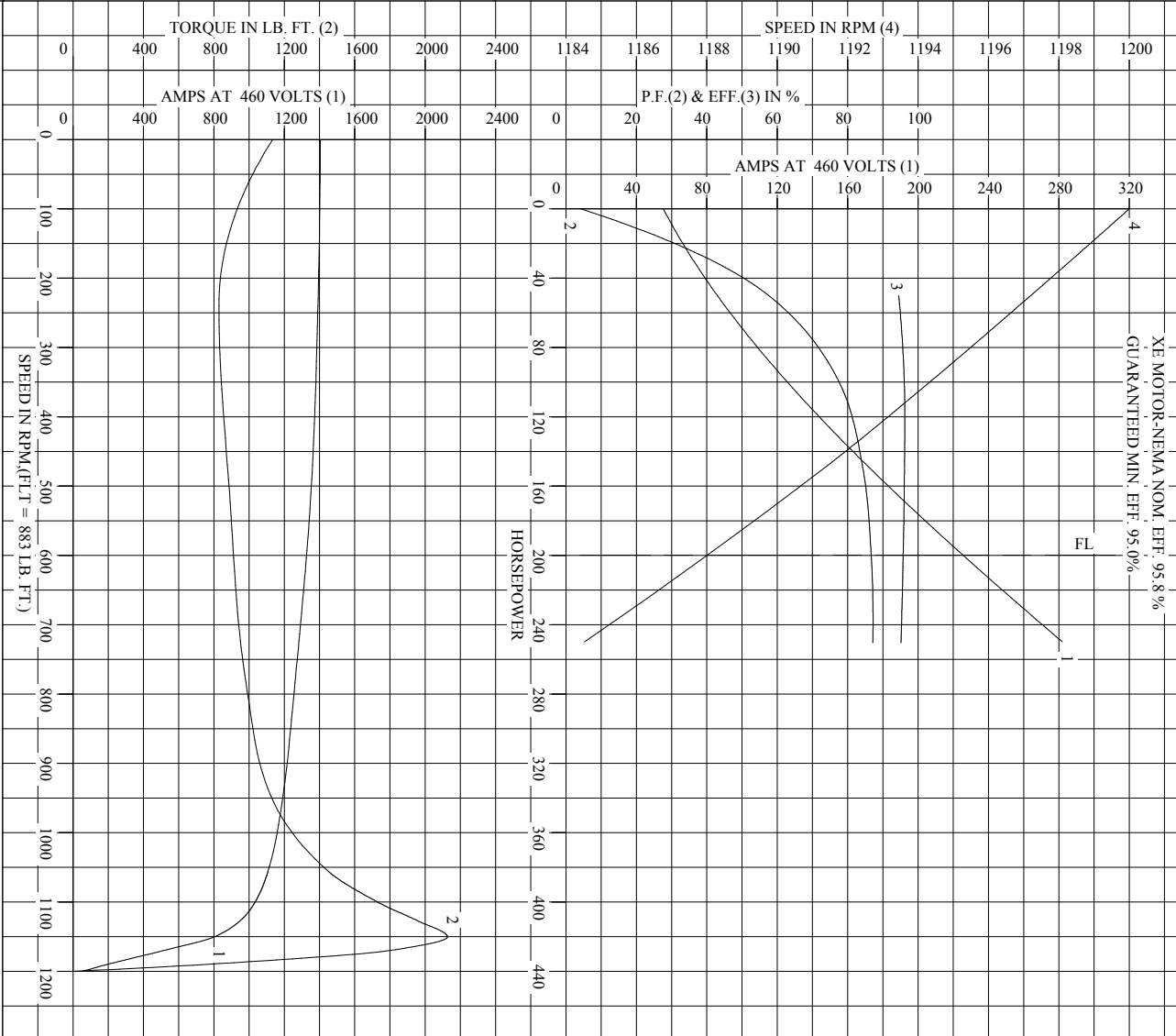
	RPM	TORQUE % FULL LOAD	TORQUE LB.-FT.	AMPERES
LOCKED ROTOR	0	128	1135	1404
PULL UP	240	93.8	828	1391
BREAKDOWN	1150	241	2126	802
FULL LOAD	1188	100	883	225

AMPERES SHOWN FOR 460. VOLT CONNECTION. IF OTHER VOLTAGE CONNECTIONS ARE AVAILABLE, THE AMPERES WILL VARY INVERSELY WITH THE RATED VOLTAGE

REMARKS: TYPICAL DATA
XE MOTOR-NEMA NOM. EFF. 95.8 %
GUARANTEED MIN. EFF. 95.0 %

	DR. BY G. R. WEBB	A-C MOTOR PERFORMANCE DATA A44WG1497-R001 ISSUE DATE 12/18/10
	CK. BY W. L. SMITH APP. BY W. L. SMITH DATE 10/08/10	

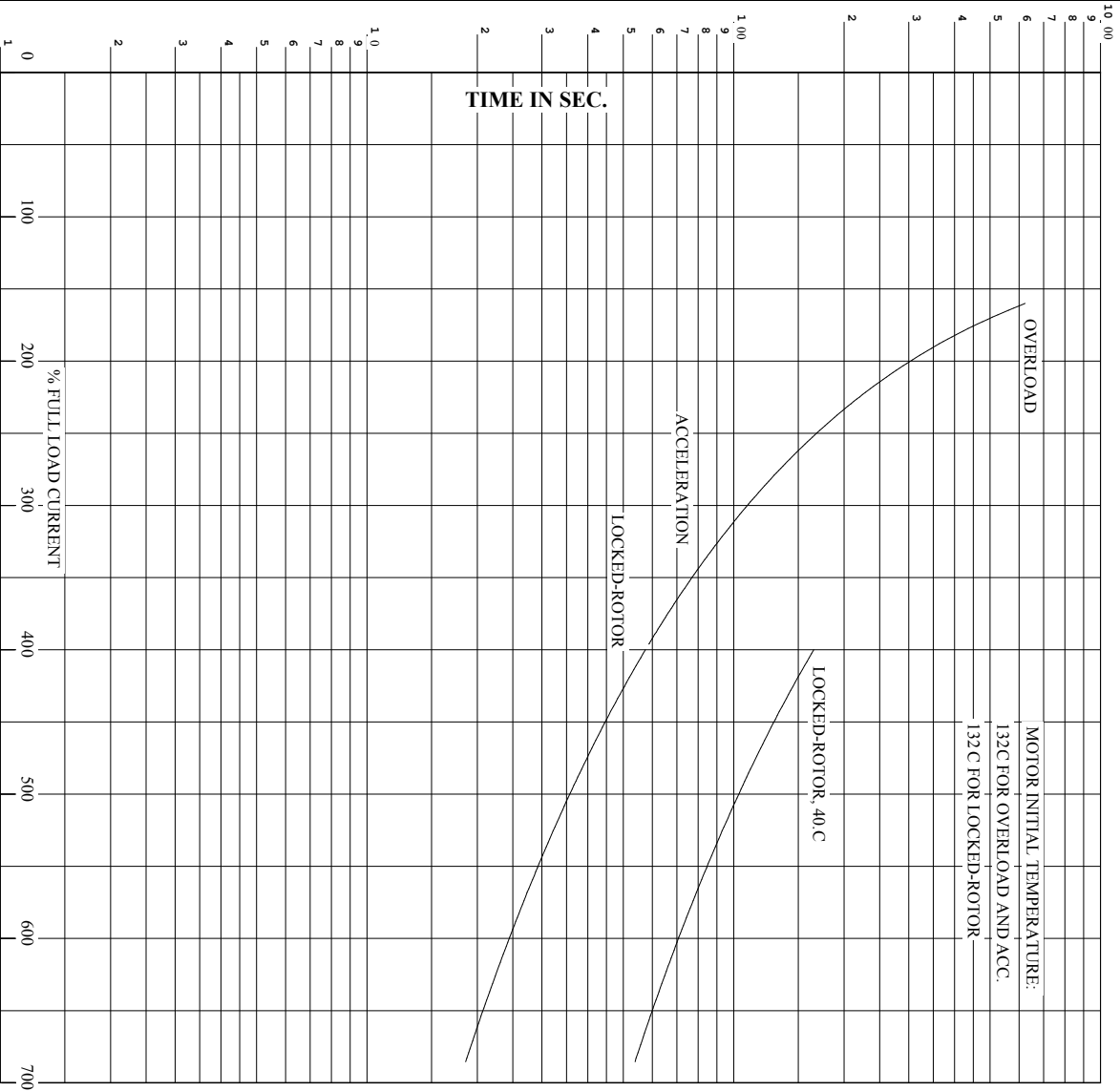
REL. S.O.		RPM 1190	S.F. 1.15	ROTOR 418143-98-XE
FRAME 449T		VOLTS 460	NEMA DESIGN B	TEST S.O. TYPICAL DATA
HP 200		AMPS 225	CODE LETTER G	TEST DATE ---
TYPE P		DUTY CONT	ENCLOSURE TEFC	STATOR RES. @ 25 °C .0220
PHASE/HERTZ 3/60		AMB °C/INSUL 40/F	E/S 833245	OHMS (BETWEEN LINES)



AMPERES SHOWN FOR 460 VOLT CONNECTION, IF OTHER VOLTAGE CONNECTIONS ARE AVAILABLE, THE AMPERES WILL VARY INVERSELY WITH THE RATED VOLTAGE.

BALDOR	DR. BY G. R. WEBB	A-C MOTOR PERFORMANCE CURVES	APP. BY W. L. SMITH	A44WG1497-R001
	DATE 10/08/10		ISSUE DATE 12/18/10	

RET. S.O. RPM 1190 S.F. 1.15 ROTOR 418143-98-XE
 FRAME 449T VOLTS 460 NEMA DESIGN B TEST S.O. TYPICAL DATA
 HP 200 AMPS 225 CODE LETTER G TEST DATE ---
 TYPE P DUTY CONT ENCLOSURE TEFC STATOR RES. @ 25 °C. 0.220
 PHASE/HERTZ 3/60 AMB °C/INSUL 40/F E/S 833245 OHMS (BETWEEN LINES)



REMARKS: THERMAL LIMIT CURVE
 XE MOTOR-NEMA NOM. EFF. 95.8 %
 GUARANTEED MIN. EFF. 95.0%

AMPERES SHOWN FOR 460 VOLT CONNECTION, IF OTHER VOLTAGE CONNECTIONS ARE AVAILABLE, THE AMPERES WILL VARY INVERSELY WITH THE RATED VOLTAGE.



DR. BY G. R. WEBB
 CK. BY W. L. SMITH
 App. BY W. L. SMITH
 DATE 1008/10

A-C MOTOR
PERFORMANCE A44WG1497-R001
CURVES ISSUE DATE 12/18/10

617427-003

DUTY MASTER ALTERNATING CURRENT MOTORS

SQUIRREL-CAGE INDUCTION

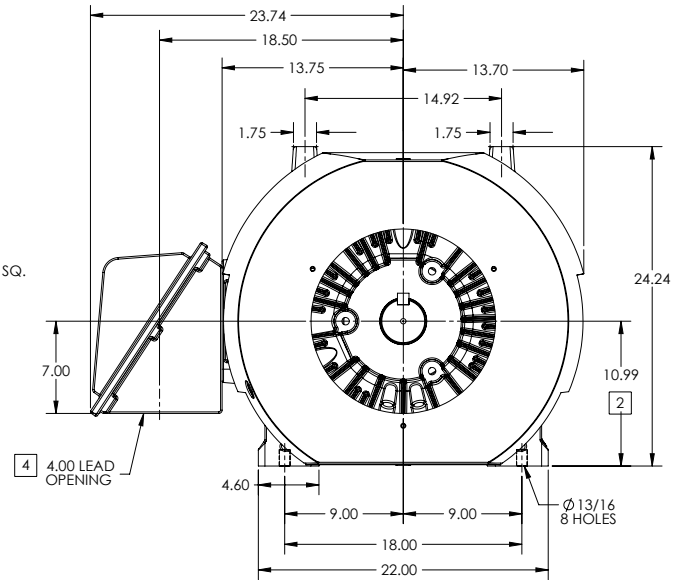
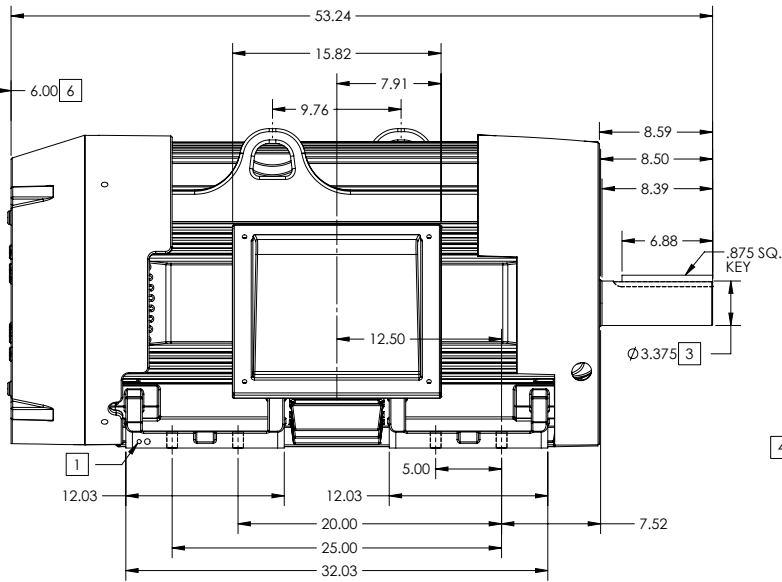
ENCLOSURE: TOTALLY ENCLOSED

FRAME 449T ABOVE NEMA RATINGS (1800 RPM MAX)

COOLING: FAN COOLED

MOUNTING: FOOT

INCLUDES 447T FRAME MOUNTING HOLES



1. GROUND HOLES QTY 1 1/2-13 TAP; QTY 1 3/8-16 TAP
2. VARIES +.00,-.06
3. VARIES +.00,-.001
4. ON STANDARD MOTORS THIS IS CONDUIT SIZE. ON XT AND CORROSION PROOF MOTOR THIS IS PIPE TAP.
5. MOTOR WEIGHTS MAY VARY BY 15% DEPENDING ON RATING.
6. OBSTRUCTION MUST NO ENCROACH ON AIR INLET

CONDUIT BOX LOCATED ON OPPOSITE SIDE WHEN F-2.
IF MOUNTING CLEARANCE DETAILS ARE REQUIRED, CONSULT FACTORY.
MAXIMUM PERMISSIBLE SHAFT RUNOUT WHEN MEASURED AT END OF STANDARD SHAFT EXTENSION IS .003" T.I.R. TO 5 INCH DIA.

[5] WEIGHT (LBS): 3080

DRIVE END AIR DEFLECTOR IS ONLY INCLUDED WHEN NECESSARY.

DIMENSIONS ARE IN INCHES; SEE SHEET 2 FOR DIMENSIONS IN MILLIMETERS

CUSTOMER IS RESPONSIBLE FOR DETERMINING THAT MOTOR PERFORMANCE IS SUITABLE IN THE APPLICATION.

SHEET NUMBER
1 OF 2

E007-L27-119

REV. DESC: NEW DRAWING	VERSION: 02	REVISED: 11/32/36 10/23/2017	TDR: 000001048162
MODEL NO. 617427-003	BY: RAGRA		

BALDOR

G449T-447T STD - FOOTED - SIDE/CENTER CB

617427-003

617427-003

DUTY MASTER ALTERNATING CURRENT MOTORS

SQUIRREL-CAGE INDUCTION

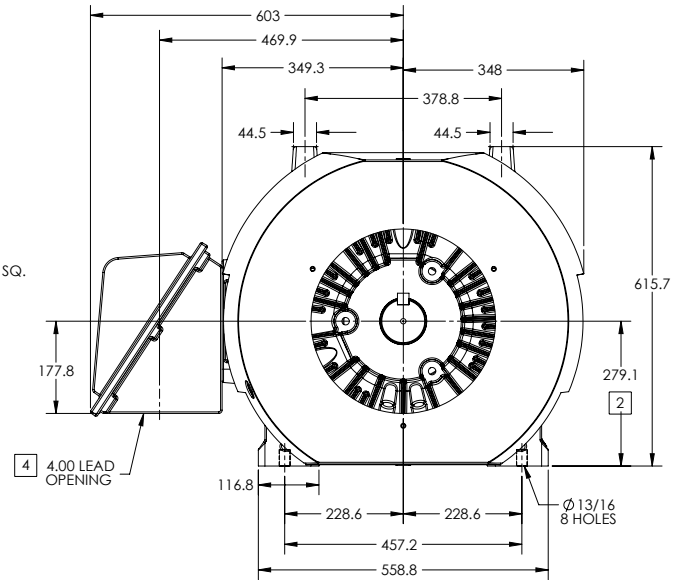
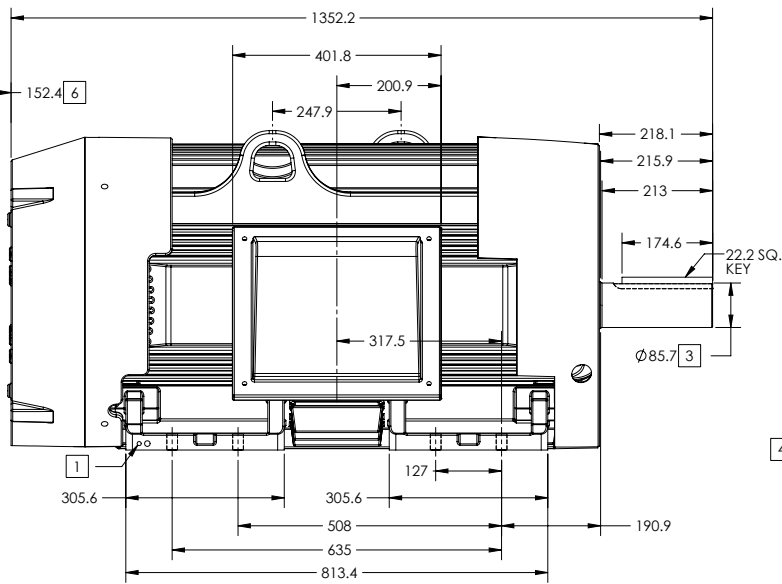
ENCLOSURE: TOTALLY ENCLOSED

FRAME 449T ABOVE NEMA RATINGS (1800 RPM MAX)

COOLING: FAN COOLED

MOUNTING: FOOT

INCLUDES 447T FRAME MOUNTING HOLES



1. GROUND HOLES QTY 1 1/2-13 TAP; QTY 1 3/8-16 TAP
2. VARIES +.00,-.06
3. VARIES +.000,-.001
4. ON STANDARD MOTORS THIS IS CONDUIT SIZE. ON XT AND CORROSION PROOF MOTOR THIS IS PIPE TAP.
5. MOTOR WEIGHTS MAY VARY BY 15% DEPENDING ON RATING.
6. OBSTRUCTION MUST NO ENCROACH ON AIR INLET

CONDUIT BOX LOCATED ON OPPOSITE SIDE WHEN F-2.
IF MOUNTING CLEARANCE DETAILS ARE REQUIRED, CONSULT FACTORY.
MAXIMUM PERMISSIBLE SHAFT RUNOUT WHEN MEASURED AT END OF
STANDARD SHAFT EXTENSION IS .08 MM T.I.R. TO 127 MM DIA.

5 WEIGHT (KGS): 1400

DRIVE END AIR DEFLECTOR IS ONLY INCLUDED WHEN NECESSARY.

DIMENSIONS ARE IN MILLIMETERS; SEE SHEET 1 FOR DIMENSIONS IN INCHES

CUSTOMER IS RESPONSIBLE FOR DETERMINING THAT MOTOR PERFORMANCE IS SUITABLE IN THE APPLICATION.

SHEET NUMBER
2 OF 2

E00-LZF119

REV. DESC: NEW DRAWING	VERSION: 02	REVISED: 11/32/36 10/23/2017	TDR: 000001048162
MODEL NO. 617427-003	BY: RAGRA		

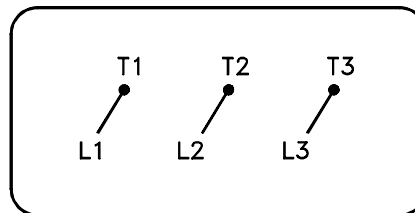
BALDOR

G449T/447T STD - FOOTED - SIDE/CENTER CB

617427-003

416820-036

A-C MOTOR
 CONNECTION DIAGRAM
 STANDARD 3 LEAD CONNECTED



(N.P. 1575-BA)

416820-036

REV. DESC: LOADED TO BUS, C/R 335225		
REV. LTR: -	VERSION: 00	TDR: 000000538207
FILE: \MGA\00000\682	REVISED: 11:54:06 04/30/2010	
MTL: -	BY: RAGRA	

BALDOR

CONN DIAG - STANDARD 3 LEAD

SH 1 of 1

Marketing maintained PDF of MN408:

<http://www.baldor.com/support/Literature/Load.ashx/MN408?ManNumber=MN408>

Marketing maintained PDF of MN416:

<http://www.baldor.com/support/Literature/Load.ashx/MN416?ManNumber=MN416>