

**BALDOR® • RELIANCE** 

**Product Information Packet**

**ECP49258T-4**

**250HP,900RPM,3PH,60HZ,L449T,TEFC,FOOT,**

Part Detail							
Revision:	H	Status:	PRD/A	Change #:		Proprietary:	No
Type:	AC	Elec. Spec:	A44WG2235	CD Diagram:	416820-036	Mfg Plant:	
Mech. Spec:		Layout:	617423-006	Poles:	08	Created Date:	06-11-2014
Base:		Eff. Date:	10-16-2017	Leads:	3#1/0 (02 per group)		

Specs			
Catalog Number:	ECP49258T-4	Heater Indicator:	No Heater
Enclosure:	TEFC	Insulation Class:	F
Frame:	L449T	Inverter Code:	Inverter Ready
Frame Material:	Iron	IP Rating:	NONE
Output @ Frequency:	250.000 HP @ 60 HZ	KVA Code:	G
Synchronous Speed @ Frequency:	900 RPM @ 60 HZ	Lifting Lugs:	Standard Lifting Lugs
Voltage @ Frequency:	460.0 V @ 60 HZ	Motor Lead Quantity/Wire Size:	6 @ 1/0 AWG
XP Class and Group:	None	Motor Type:	A44176M
XP Division:	Not Applicable	Mounting Arrangement:	F1
Agency Approvals:	CSA EEV	Power Factor:	85
Auxillary Box:	No Auxillary Box	Pulley End Bearing Type:	Ball
Base Indicator:	Rigid	Pulley Face Code:	Standard
Bearing Grease Type:	Polyrex EM (-20F +300F)	Shaft Ground Indicator:	No Shaft Grounding
Constant Torque Speed Range:	30-60	Shaft Rotation:	Reversible
Current @ Voltage:	288.000 A @ 460.0 V	Shaft Slinger Indicator:	Shaft Slinger
Design Code:	B	Speed Code:	Single Speed
Drip Cover:	No Drip Cover	Motor Standards:	NEMA
Duty Rating:	CONT	Starting Method:	Direct on line

<b>Enclosure Modification:</b>	Severe Duty Features	<b>Thermal Device - Bearing:</b>	NONE (OLD)
<b>Feedback Device:</b>	NO FEEDBACK	<b>Thermal Device - Winding:</b>	None
<b>Frame Prefix:</b>	L	<b>XP Temp Code:</b>	T2C

Nameplate NP3238									
CAT NO	ECP49258T-4	SPEC NO.	A44-5912-2235						
HP	250	AMPS	288	VOLTS	460	DESIGN	B		
FRAME	L449T	RPM	890	HZ	60	AMB	40	SF	1.15
D.E. BRG.DATA	6222	O.D.E. BRG.DATA	6318	PH	3	DUTY	CONT	INSUL.CLASS	F
D.E. BRG.	110BC02J30X	TYPE	P	ENCL	TEFC	CODE	G	NEMA NOM EFFICIENCY	95
O.D.E. BRG.	90BC03J30X	POWER FACTOR	85	MAX CORR KVAR	59.5	GUARANTEED EFFICIENCY	94.1		
3/4 LOAD EFF.	95.7	TEMP CODE	T2C	TEMP =	230				
CHP HZ	60-90	CT HZ	30-60	VT HZ	6-60				
INVERTER-TEMP-CODE	T2B								
SER.NO.		MOTOR WEIGHT							

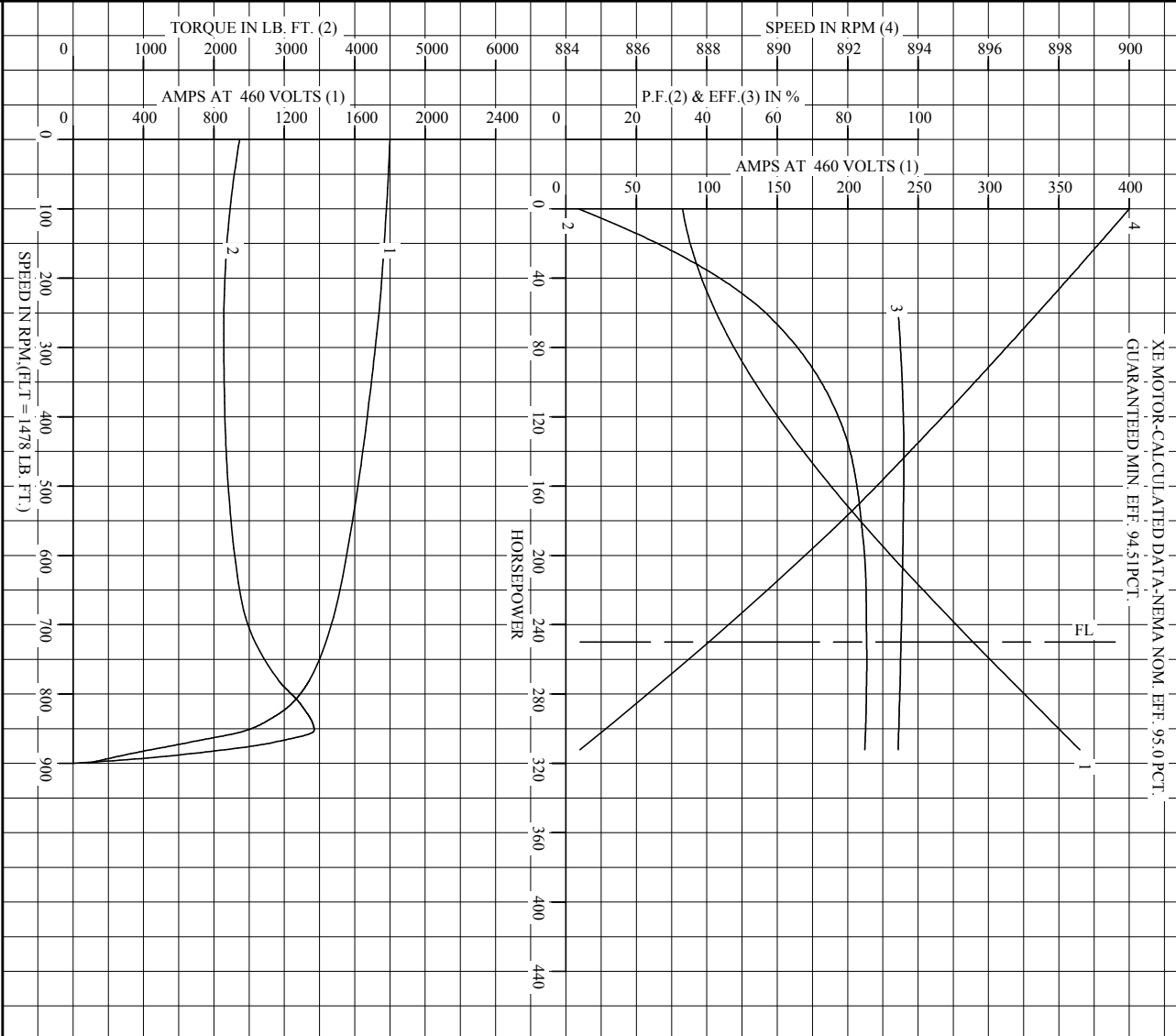
Parts List		
Part Number	Description	Quantity
SA282390	SA A44-5912-2235	1.000 EA
RA268694	RA A44-5912-2235	1.000 EA
000613006PU	N/P (RELEASE QTY 10,000) UL CSA LABEL	1.000 EA
NP3238	SS CP XEX SEVERE DUTY MAIN NP	1.000 EA
000692000FF	N/P	1.000 EA
000692000VD	LABEL WARNING	1.000 EA
004824015A	GREASE POLYREX EM	1.156 LB
032018008CK	HHCS 3/8-16X1L PLATED	4.000 EA
032018020FK	HHCS 3/4-10X2-1/2 PLTD.	4.000 EA
032018030DK	HHCS 1/2-13X3-3/4 PLTD.	3.000 EA
032018030DK	HHCS 1/2-13X3-3/4 PLTD.	3.000 EA
034017014AB	LCKW 3/8 STD. PLATED	4.000 EA
034180014DA	KEY 1/4X1/4X1-3/4 L	1.000 EA
034530064AB	P/NIP 1/8 X 8" L Pipe Nipple	1.000 EA
034530064BB	P/NIP 1/4X8 PLATED	1.000 EA
035000001G	GREASE RELIEF FITTING, ALEMITE 317400	1.000 EA
035000001G	GREASE RELIEF FITTING, ALEMITE 317400	1.000 EA
034631002AB	BUSH 1/4 TO 1/8 PLTD.	1.000 EA
083199082A	G28 FAN COVER MACHINING SHORT VERSION	1.000 EA
089490099A	G28 BRKT 089490098WCA KB	1.000 EA
410700004A	WSHR	1.000 EA
415045002A	SLGR	1.000 EA
415096002A	CPLG 1/8 HEX TYPE	1.000 EA
702618004T	FAN KB 182/70 (112) 440	1.000 EA

Parts List (continued)		
Part Number	Description	Quantity
032018004BK	HHCS 5/16-18X1/2 PLATED	3.000 EA
032018006BK	HHCS 5/16-18X3/4 PLATED	3.000 EA
032018020FK	HHCS 3/4-10X2-1/2 PLTD.	4.000 EA
034017013AB	LCKW 5/16 STD. PLATED	3.000 EA
702623022A	G28 AIR DEFLECTOR DRIVE END -- PLASTIC	1.000 EA
034530056AB	1/8 X 7 PP NIPPLE	1.000 EA
034530056BB	P/NIP 1/4X7 SCHED 40	1.000 EA
034017013AB	LCKW 5/16 STD. PLATED	3.000 EA
089490101A	G28 BRKT 089490100WCA	1.000 EA
415096002A	CPLG 1/8 HEX TYPE	1.000 EA
034631002AB	BUSH 1/4 TO 1/8 PLTD.	1.000 EA
418151014H	RETAIN RING	1.000 EA
702623013A	THERMAL BARRIER -- G28 -- BRACKET MTD	1.000 EA
032018008BK	HHCS 5/16-18X1L PLATED	4.000 EA
415915007G	GASK, LAC	1.000 FT
032018008DK	HHCS 1/2-13X1 PLATED	4.000 EA
033512004LB	HHTTS 1/4-20X1/2 PLTD.	1.000 EA
035000001A	ALFTG 1/8" 1610-BL	1.000 EA
035000001A	ALFTG 1/8" 1610-BL	1.000 EA
067053014A	GASK 440	1.000 EA
076870000B	+CBCST BLKT - 440	1.000 EA
076871000A	+CBOX CVR BLKT - 449	1.000 EA
406056007A	GASKET, 440	1.000 EA
406099000A	PLUG - FAN COVER 320-440	1.000 EA

Product Information Packet: ECP49258T-4 - 250HP,900RPM,3PH,60HZ,L449T,TEFC,FOOT,

415000103D	T/LUG #4AWG-1/0AWG W/HOLE FOR .250 BOLT	1.000 EA
418150003A	GREASE FITTING CAP	1.000 EA
418150003A	GREASE FITTING CAP	1.000 EA
415030115A	G28 C/BOX 415030114WCA	1.000 EA
032130014DB	HSHCS1/2-13X1-3/4 PLATE	4.000 EA
034000016AB	WSHR .531ID 1.062OD .095	4.000 EA
415039027A	GASKET, G28 LEAD THROAT	1.000 EA
033775004EA	DRSCR #6-1/4 304 S.S.	2.000 EA
034180054KA	7/8 SQ X 6.75 KEY	1.000 EA
MG1025N19	WILKO 778.50 BLUE GREEN - 55 GAL DRUMS	0.375 GA
004824003CBY	WILKO PAINT 060.02 - ACTIVATOR	0.094 GA
421948051	LABEL, MYLAR	1.000 EA
PK5005A01	WOOD BASE 449 60 X 41-1/2 BLT 25 X 18	1.000 EA
604799003C	PLASTIC BAG 42X32X46	1.000 EA
LB1449	DIV-2/NEC WARNING LABEL	1.000 EA
412118006A	DRAIN	2.000 EA

REL. S.O. \_\_\_\_\_ RPM 890 S.F. 1.15 ROTOR 418143-87-EE  
 FRAME L449T VOLTS 460 NEMA DESIGN B TEST S.O. ---  
 HP 250 AMPS 288 CODE LETTER G TEST DATE ---  
 TYPE P DUTY CONT ENCLOSURE TEFC STATOR RES. @ 25 °C .0193  
 PHASE/HERTZ 3/60 AMB °C/INSUL 40/F E/S 401727 OHMS (BETWEEN LINES)



AMPERES SHOWN FOR 460 VOLT CONNECTION, IF OTHER VOLTAGE CONNECTIONS ARE AVAILABLE, THE AMPERES WILL VARY INVERSELY WITH THE RATED VOLTAGE.

**BALDOR**  
 A MEMBER OF THE ABB GROUP

DR. BY G.R. WEBB  
 CK. BY W.L. SMITH  
 APP. BY W.L. SMITH  
 DATE 08/12/13

**A-C MOTOR PERFORMANCE CURVES**  
 A44W/G235-R005  
 ISSUE DATE 08/12/13

Printed on 8/12/13 10:47 @ ragsun



REL. S.O.	FRAME	HP	TYPE	PHASE/HERTZ	RPM	VOLTS
	L449T	250	P	3/60	890	460
AMPS	DUTY	AMB °C/ INSUL.	S.F.	NEMA DESIGN	CODE LETTER	ENCL.
288	CONT	40/F	1.15	B	G	TEFC
E/S	ROTOR	TEST S.O.	TEST DATE	STATOR RES. @25 °C (OHMS (BETWEEN LINES))		
401727	418143-87-BE	---	---	.0193		

PERFORMANCE


LOAD	HP	AMPERES	RPM	POWER FACTOR %	EFFICIENCY %
NO LOAD	0	83.1	900	3.51	0
1/4	62.7	107	897	58.1	94.5
2/4	125	156	894	78.4	95.9
3/4	187	218	891	84.3	95.7
4/4	250	288	888	85.4	95.2
5/4	312	365	884	84.8	94.3

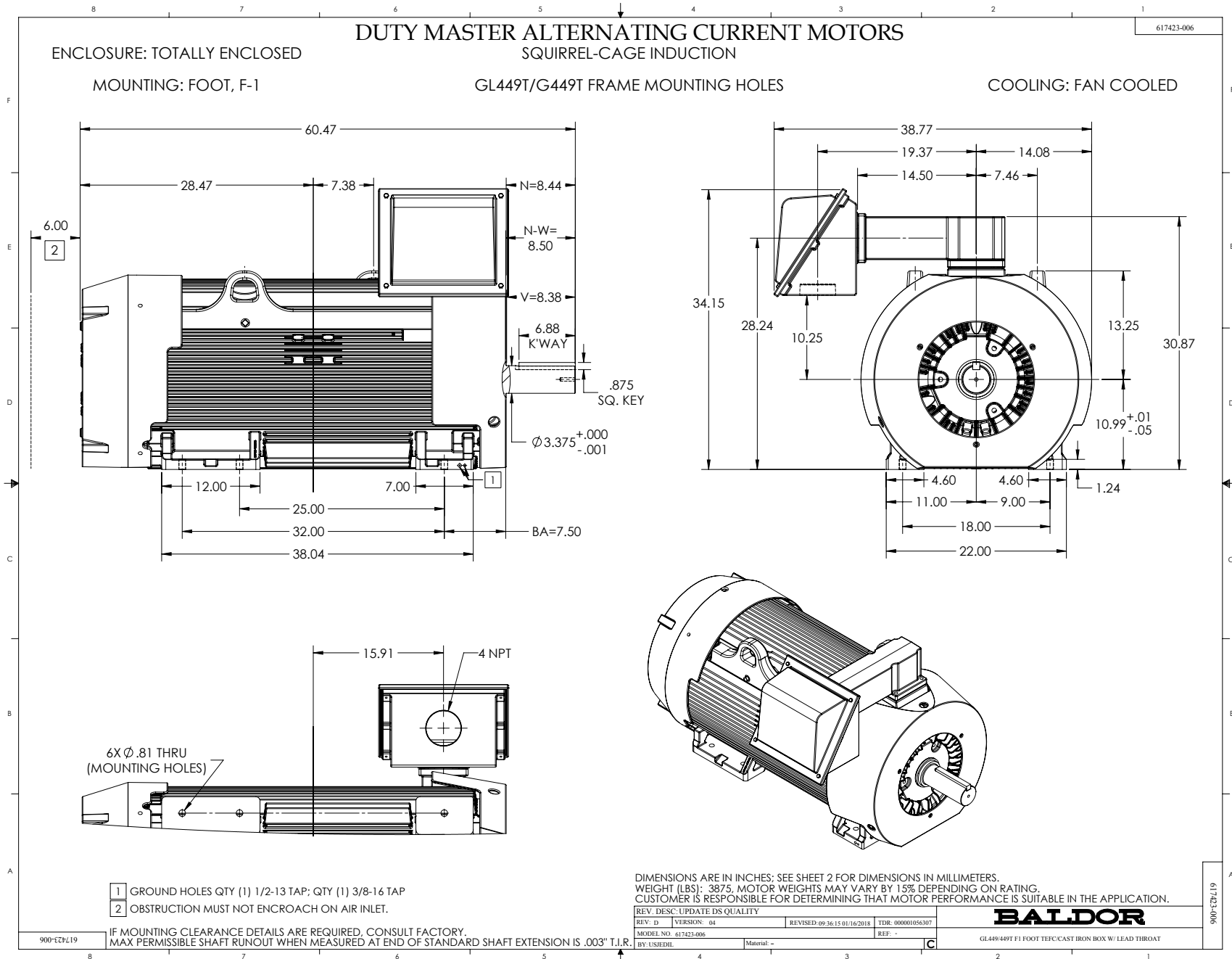
SPEED TORQUE

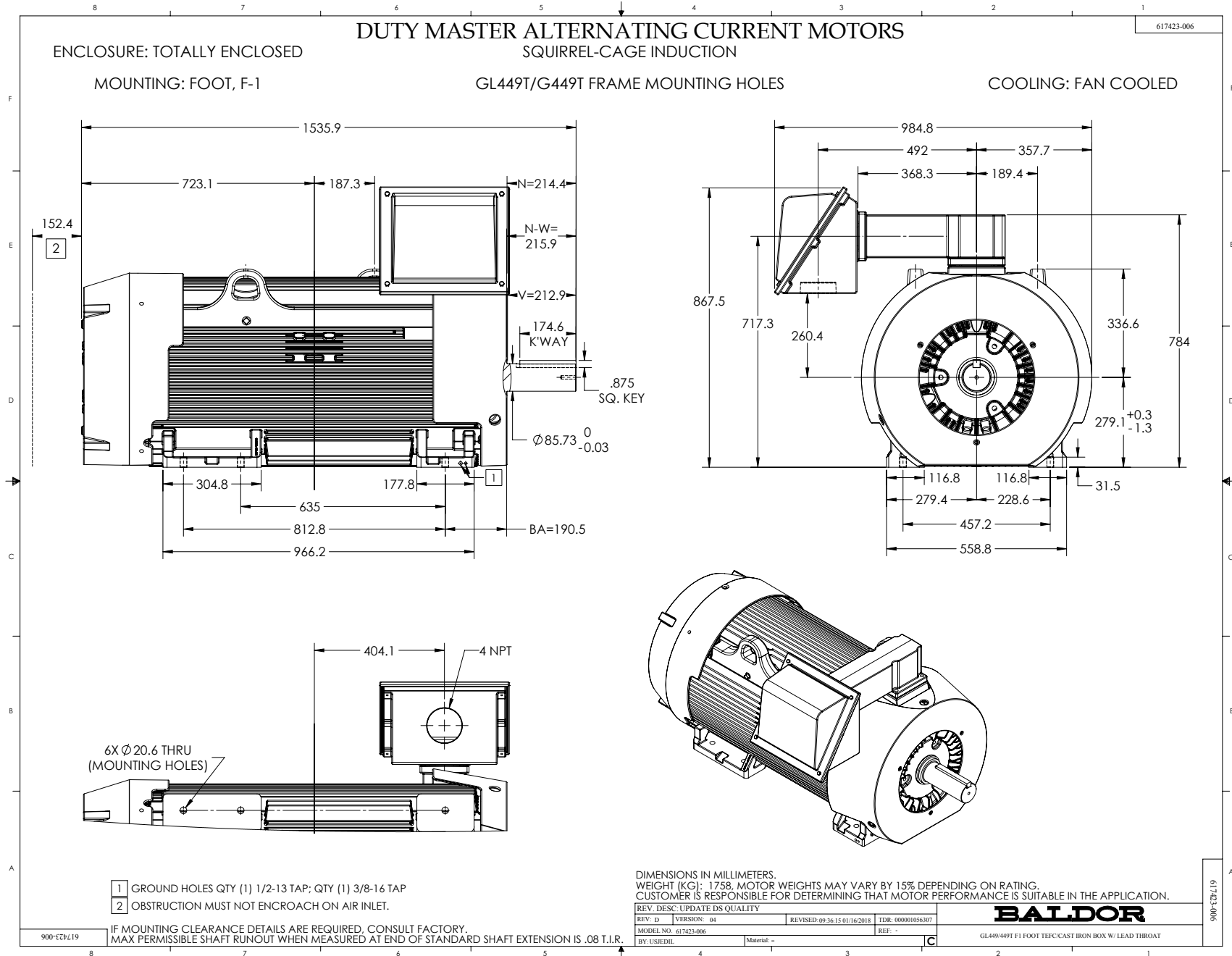
	RPM	TORQUE % FULL LOAD	TORQUE LB.-FT.	AMPERES
LOCKED ROTOR	0	160	2365	1800
PULL UP	270	145	2141	1730
BREAKDOWN	852	232	3425	985
FULL LOAD	888	100	1478	288

AMPERES SHOWN FOR 460. VOLT CONNECTION. IF OTHER VOLTAGE CONNECTIONS ARE AVAILABLE, THE AMPERES WILL VARY INVERSELY WITH THE RATED VOLTAGE

REMARKS: XE MOTOR-CALCULATED DATA-NEMA NOM. EFF. 95.0 PCT.  
GUARANTEED MIN. EFF. 94.51PCT.

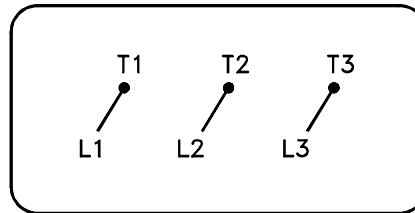
 A MEMBER OF THE ABB GROUP	DR. BY G. R. WEBB CK. BY W. L. SMITH APP. BY W. L. SMITH DATE 08/12/13	A-C MOTOR PERFORMANCE DATA A44WG2235-R005 ISSUE DATE 08/12/13
--	---	--





416820-036

A-C MOTOR  
 CONNECTION DIAGRAM  
 STANDARD 3 LEAD CONNECTED



(N.P. 1575-BA)

416820-036

REV. DESC: LOADED TO BUS, C/R 335225		
REV. LTR: -	VERSION: 00	TDR: 000000538207
FILE: \MGA\00000\682	REVISED: 11:54:06 04/30/2010	
MTL: -	BY: RAGRA	

**BALDOR**

CONN DIAG - STANDARD 3 LEAD

SH 1 of 1

Marketing maintained PDF of MN408:

<http://www.baldor.com/support/Literature/Load.ashx/MN408?ManNumber=MN408>

Marketing maintained PDF of MN416:

<http://www.baldor.com/support/Literature/Load.ashx/MN416?ManNumber=MN416>