

BALDOR® • RELIANCE 

Product Information Packet

ECP84404T-5

75HP, 1185RPM, 3PH, 60HZ, 405T, A4072M, TEFC, F

| Part Detail | | | | | | | |
|-------------|----|-------------|------------|-------------|------------|---------------|------------|
| Revision: | M | Status: | PRD/A | Change #: | | Proprietary: | No |
| Type: | AC | Elec. Spec: | A40WG0771 | CD Diagram: | 416820-036 | Mfg Plant: | |
| Mech. Spec: | | Layout: | 617429-511 | Poles: | 06 | Created Date: | 07-16-2013 |
| Base: | | Eff. Date: | 10-16-2017 | Leads: | 3#4 | | |

| Specs | | | |
|--------------------------------|-------------------------|--------------------------------|-----------------------|
| Catalog Number: | ECP84404T-5 | Feedback Device: | NO FEEDBACK |
| Enclosure: | TEFC | Heater Indicator: | No Heater |
| Frame: | 405T | Insulation Class: | F |
| Frame Material: | Iron | Inverter Code: | Inverter Ready |
| Output @ Frequency: | 75.000 HP @ 60 HZ | KVA Code: | G |
| Synchronous Speed @ Frequency: | 1200 RPM @ 60 HZ | Lifting Lugs: | Standard Lifting Lugs |
| Voltage @ Frequency: | 575.0 V @ 60 HZ | Motor Lead Quantity/Wire Size: | 3 @ 4 AWG |
| XP Class and Group: | CLI GP A,B,C,D | Motor Type: | A40064M |
| XP Division: | Division II | Mounting Arrangement: | F1 |
| Agency Approvals: | UR | Power Factor: | 85 |
| | CSA EEV | Pulley End Bearing Type: | Ball |
| | CCSA US | Pulley Face Code: | Standard |
| Auxillary Box: | No Auxillary Box | Shaft Ground Indicator: | No Shaft Grounding |
| Base Indicator: | Rigid | Shaft Rotation: | Reversible |
| Bearing Grease Type: | Polyrex EM (-20F +300F) | Shaft Slinger Indicator: | No Slinger |
| Constant Torque Speed Range: | 10-60 | Speed Code: | Single Speed |
| Current @ Voltage: | 69.520 A @ 575.0 V | Motor Standards: | None |
| Design Code: | B | Starting Method: | Direct on line |

| | | | |
|---------------------|---------------|----------------------------------|------------|
| Drip Cover: | No Drip Cover | Thermal Device - Bearing: | NONE (OLD) |
| Duty Rating: | CONT | Thermal Device - Winding: | None |
| | | XP Temp Code: | T3 |

| Nameplate NP3237 | | | | | | | | | |
|--------------------|-------------|-----------------------|----------|---------------|-------|------|----|----|------|
| CAT NO | ECP84404T-5 | SPEC NO. | P40G3918 | | | | | | |
| HP | 75 | AMPS | 69.5 | VOLTS | 575 | | | | |
| FRAME SIZE | 405T | RPM | 1185 | HZ | 60 | AMB | 40 | SF | 1.15 |
| D.E. BRG.DATA | 6316 | O.D.E. BRG.DATA | 6316 | | PH | 3 | | | |
| D.E. BRG. | 80BC03J30X | TYPE | P | ENCL | TEFC | CODE | G | | |
| O.D.E. BRG. | 80BC03J30X | POWER FACTOR | 85 | | | | | | |
| 3/4 LOAD EFF. | 94.9 | IP | 56 | MAX CORR KVAR | 15 | | | | |
| TEMP CODE | T3 | TEMP = | 200 | | | | | | |
| CHP HZ | 60-90 | CT HZ | 10-60 | | VT HZ | 0-60 | | | |
| INVERTER-TEMP-CODE | T3 | NEMA-NOM-EFFICIENCY | 95 | | | | | | |
| SER.NO. | | GUARANTEED EFFICIENCY | 94.1 | | | | | | |
| | | INSUL.CLASS | F | | | | | | |
| | | DESIGN | B | | | | | | |
| | | DUTY | CONT | | | | | | |
| | | MOTOR WEIGHT | | | | | | | |

Nameplate 000613007EX

| | | | |
|-----------------|-------------|--------------------------|------------|
| CAT NO | ECP84404T-5 | SPEC NO. | P40G3918 |
| NO. ROTOR BARS | 71 | GREASE TYPE | POLYREX EM |
| NO. SLOTS | 90 | NL AMPS AT RATED VOLTAGE | 21 |
| 5 YEAR WARRANTY | | WINDING RES @25 C | 0.1351 |
| MFG. DATE | | SER.NO | |
| | | | OHMS |
| | | | |
| | | | |

| Parts List | | |
|-------------|--|----------|
| Part Number | Description | Quantity |
| SA267709 | SA P40G3918 | 1.000 EA |
| RA254379 | RA P40G3918 | 1.000 EA |
| NP3237 | SS SUPER E INVERTER DUTY IEEE 841 | 1.000 EA |
| 000613007EX | SS IEEE 841 EMBOSSED AUXILIARY NAMEPLATE | 1.000 EA |
| 000692000FF | N/P | 1.000 EA |
| 000692000JP | N/P | 1.000 EA |
| 000692000VD | LABEL WARNING | 1.000 EA |
| 000692000VH | N/P (RELEASE 1000 PCS) | 1.000 EA |
| 004824015A | GREASE POLYREX EM | 0.884 LB |
| 032018008CK | HHCS 3/8-16X1L PLATED | 4.000 EA |
| 032018020EK | HHCS 5/8-11X2-1/2 PLTD. | 4.000 EA |
| 032018024CK | HHCS 3/8-16X3 PLTD. | 3.000 EA |
| 034000014AB | WSH ID.406 OD.812 TH.065 | 4.000 EA |
| 034180008DA | KEY 1/4X1/4X1 L (shipping) | 1.000 EA |
| 034530052BB | PP NIPP DE GRS F | 1.000 EA |
| 034530052AB | P/NIP 1/8X6-1/2 GALV. | 1.000 EA |
| 034631002AB | BUSH 1/4 TO 1/8 PLTD. | 1.000 EA |
| 035000001G | GREASE RELIEF FITTING, ALEMITE 317400 | 1.000 EA |
| 078550001H | FAN KB 120/60 360 | 1.000 EA |
| 083198101A | G400 STD FAN COVER MACHINING | 1.000 EA |
| 034692005AA | P PLUG 3/4"BLK. | 1.000 EA |
| 089412501C | G400 MACH 6316 FT MT BRKT 089412500WCA | 1.000 EA |
| 410700000DA | WAVY SPRING WASHER | 1.000 EA |
| 415028021G | SEAL | 1.000 EA |

| Parts List (continued) | | |
|------------------------|--|----------|
| Part Number | Description | Quantity |
| 415072001B | CLAMP | 1.000 EA |
| 415096002A | CPLG 1/8 HEX TYPE | 1.000 EA |
| 423709011C | WASHER | 3.000 EA |
| 032018020EK | HHCS 5/8-11X2-1/2 PLTD. | 4.000 EA |
| 032018024CK | HHCS 3/8-16X3 PLTD. | 3.000 EA |
| 034530040AB | P/NIP 1/8X5 GALV. | 1.000 EA |
| 034530040BB | P/NIP 1/4X5 | 1.000 EA |
| 034631002AB | BUSH 1/4 TO 1/8 PLTD. | 1.000 EA |
| 035000001G | GREASE RELIEF FITTING, ALEMITE 317400 | 1.000 EA |
| 089412501C | G400 MACH 6316 FT MT BRKT 089412500WCA | 1.000 EA |
| 415028021G | SEAL | 1.000 EA |
| 415096002A | CPLG 1/8 HEX TYPE | 1.000 EA |
| 423709011C | WASHER | 3.000 EA |
| 032018010CK | HHCS 3/8-16X1-1/4 PLTD. | 4.000 EA |
| 033512008LB | HHTTS 1/4-20X1 PLATED | 4.000 EA |
| 034000014AB | WSH ID.406 OD.812 TH.065 | 4.000 EA |
| 035000001A | ALFTG 1/8" 1610-BL | 1.000 EA |
| 035000001A | ALFTG 1/8" 1610-BL | 1.000 EA |
| 067053000B | GASK 320-400 | 1.000 EA |
| 076708000BB | C/B - 360 | 1.000 EA |
| 076709000A | C/B Cover - 360 | 1.000 EA |
| 406099000A | PLUG - FAN COVER 320-440 | 1.000 EA |
| 415000103H | 415000103H | 1.000 EA |
| 415039016A | TERBD, 360-400 | 1.000 EA |

Product Information Packet: ECP84404T-5 - 75HP,1185RPM,3PH,60HZ,405T,A4072M,TEFC,F

| | | |
|--------------|--|----------|
| 418150003A | GREASE FITTING CAP | 1.000 EA |
| 418150003A | GREASE FITTING CAP | 1.000 EA |
| 033775004EA | DRSCR #6-1/4 304 S.S. | 4.000 EA |
| 034180044JA | KEY 3/4X3/4X5-1/2 L | 1.000 EA |
| MG1025N19 | WILKO 778.50 BLUE GREEN - 55 GAL DRUMS | 0.375 GA |
| 004824003CBY | WILKO PAINT 060.02 - ACTIVATOR | 0.063 GA |
| 482403003BEF | RUST VETO 342 | 0.013 GA |
| MG1500G03-5 | LACQUER PRIMER, GRAY | 0.063 GA |
| 421948051 | LABEL, MYLAR | 1.000 EA |
| PK5004A02 | WOOD BASE 40X32 STACK 2X4 RUNNER | 1.000 EA |
| 000613006PU | N/P (RELEASE QTY 10,000) UL CSA LABEL | 1.000 EA |
| LB1449 | DIV-2/NEC WARNING LABEL | 1.000 EA |
| 032018005DL | 1/2-13 X 5/8 SILICON BRONZE HHCS | 1.000 EA |
| 412118006A | DRAIN | 2.000 EA |


| | | | | | | |
|-----------|--------------|-------------------|-----------|---------------------------------------|-------------|----------|
| REL. S.O. | FRAME | HP | TYPE | PHASE/HERTZ | RPM | VOLTS |
| | 405T | 75 | P | 3/60 | 1185 | 575 |
| AMPS | DUTY | AMB °C/ INSUL. | S.F. | NEMA DESIGN | CODE LETTER | ENCL. |
| 69.5 | CONT | 40/F | 1.15 | B | G | TEFC-841 |
| E/S | ROTOR | TEST S.O. | TEST DATE | STATOR RES. @25 °C (BETWEEN LINES) | | |
| 496235 | 418142-71-BE | --- | --- | .134 | | |

| PERFORMANCE | | | | | | |
|-------------|------|---------|------|----------------|--------------|--|
| LOAD | HP | AMPERES | RPM | POWER FACTOR % | EFFICIENCY % | |
| NO LOAD | 0 | 24.8 | 1200 | 4.11 | 0 | |
| 1/4 | 18.8 | 29.7 | 1197 | 51.1 | 92.5 | |
| 2/4 | 37.5 | 40.6 | 1194 | 73.0 | 95.0 | |
| 3/4 | 56.2 | 54.2 | 1190 | 81.6 | 95.3 | |
| 4/4 | 75.0 | 69.5 | 1187 | 85.1 | 95.0 | |
| 5/4 | 93.8 | 86.3 | 1183 | 86.2 | 94.4 | |

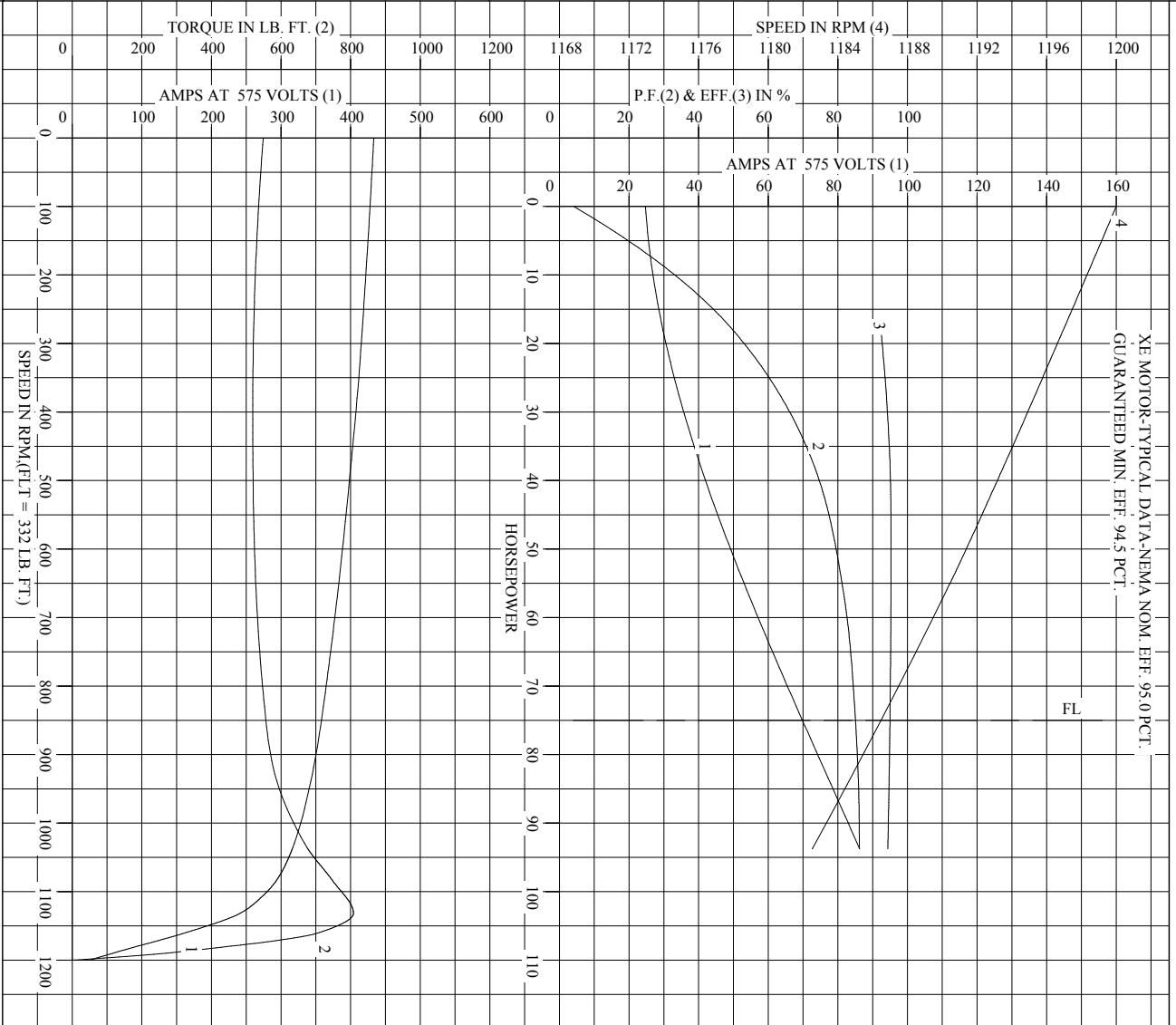
| SPEED TORQUE | | | | | | |
|--------------|------|--------------------|----------------|---------|--|--|
| | RPM | TORQUE % FULL LOAD | TORQUE LB.-FT. | AMPERES | | |
| LOCKED ROTOR | 0 | 165 | 549 | 433 | | |
| PULL UP | 400 | 156 | 519 | 408 | | |
| BREAKDOWN | 1132 | 243 | 808 | 241 | | |
| FULL LOAD | 1187 | 100 | 332 | 69.5 | | |

AMPERES SHOWN FOR 575. VOLT CONNECTION. IF OTHER VOLTAGE CONNECTIONS ARE AVAILABLE, THE AMPERES WILL VARY INVERSELY WITH THE RATED VOLTAGE

REMARKS: TYPICAL DATA
 XE MOTOR-TYPICAL DATA-NEMA NOM. EFF. 95.0 PCT.
 GUARANTEED MIN. EFF. 94.5 PCT.

| | | |
|--|--|--|
|  A MEMBER OF THE ABB GROUP | DR. BY B.R. BENDLEY | A-C MOTOR PERFORMANCE DATA A40WG0771-R001 ISSUE DATE 05/24/13 |
| | CK. BY D.M. BYRD APP. BY D.M. BYRD DATE 04/08/11 | |

REL. S. O. _____ RPM 1185 S. F. 1.15 ROTOR 418142-71-EE
 FRAME 405T VOLTS 575 NEMA DESIGN B TEST S. O. TYPICAL DATA
 HP 75 AMPS 69.5 CODE LETTER G TEST DATE ---
 TYPE P DUTY CONT ENCLOSURE TEFC-841 STATOR RES. @ 25 °C .134
 PHASE/HERTZ 3/60 AMB °C/INSUL 40/F E/S 496235 OHMS (BETWEEN LINES)



AMPS SHOWN FOR 575 VOLT CONNECTION, IF OTHER VOLTAGE CONNECTIONS ARE AVAILABLE, THE AMPS WILL VARY INVERSELY WITH THE RATED VOLTAGE.

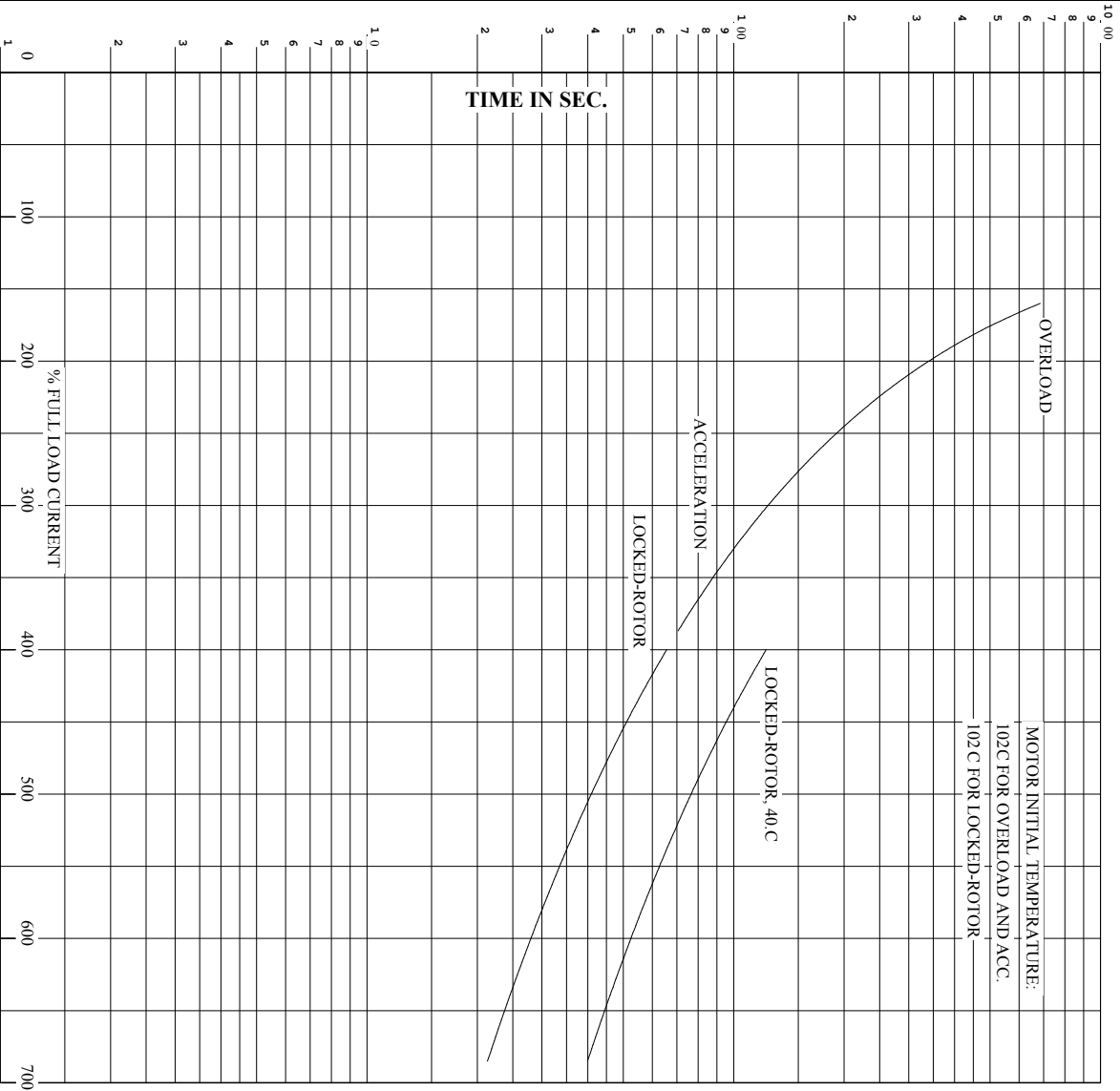
BALDOR
 A MEMBER OF THE ABB GROUP

DR. BY B.R. PENDELLEY
 CK. BY D.M. BYRD
 APP. BY D.M. BYRD
 DATE 04/08/11

A-C MOTOR PERFORMANCE CURVES
 A40W/G0771-R001
 ISSUE DATE 05/24/13

Printed on 5/24/13 14:03 @ pscs-motoreng

RET. S.O. RPM 1185 S.F. 1.15 ROTOR 418142-71-EE
 FRAME 405T VOLTS 575 NEMA DESIGN B TEST S.O. TYPICAL DATA
 HP 75 AMPS 69.5 CODE LETTER G TEST DATE ---
 TYPE P DUTY CONT ENCLOSURE TEFC-841 STATOR RES. @ 25 C. 1.34
 PHASE/HERTZ 3/60 AMB C/INSUL 40/F E/S 496235 OHMS (BETWEEN LINES)



REMARKS: THERMAL LIMIT CURVE
 XE MOTOR-TYPICAL DATA-NEMA NOM. EFF. 95.0 PCT.
 GUARANTEED MIN. EFF. 94.5 PCT.

AMPERES SHOWN FOR 575 VOLT CONNECTION, IF OTHER VOLTAGE CONNECTIONS ARE AVAILABLE, THE AMPERES WILL VARY INVERSELY WITH THE RATED VOLTAGE.



DR. BY B.R. BRINDLEY
 CK. BY D.M. BYRD
 App. BY D.M. BYRD
 DATE 04/08/11

A-C MOTOR PERFORMANCE CURVES
 A40WG0771-R001
 ISSUE DATE 05/24/13

DUTY MASTER ALTERNATING CURRENT MOTORS

SQUIRREL-CAGE INDUCTION

ENCLOSURE: TOTALLY ENCLOSED

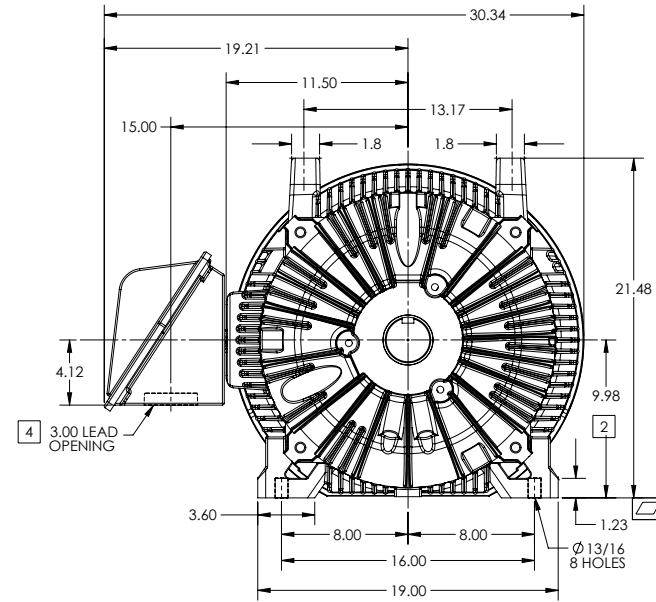
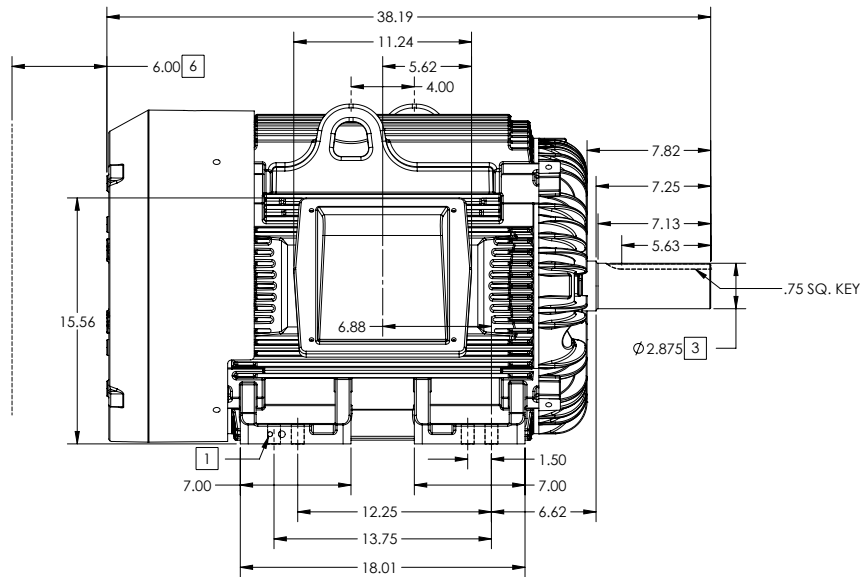
FRAME G405T ABOVE NEMA RATINGS

COOLING: FAN COOLED

MOUNTING: FOOT

INCLUDES 404T FRAME MOUNTING HOLES

841XL ENCLOSURE ENHANCEMENT



1. GROUND HOLES QTY 1 1/2-13 TAP; QTY 1 3/8-16 TAP
2. VARIES +.02,-.04
3. VARIES +.00,-.001
4. ON STANDARD MOTORS THIS IS CONDUIT SIZE. ON XT AND CORROSION PROOF MOTOR THIS IS PIPE TAP.
5. MOTOR WEIGHTS MAY VARY BY 15% DEPENDING ON RATING.
6. OBSTRUCTION MUST NOT ENCROACH ON AIR INLET

[5] WEIGHT (LBS): 1370

CONDUIT BOX LOCATED ON OPPOSITE SIDE WHEN F-2.
IF MOUNTING CLEARANCE DETAILS ARE REQUIRED, CONSULT FACTORY.
MAXIMUM PERMISSIBLE SHAFT RUNOUT WHEN MEASURED AT END OF STANDARD SHAFT EXTENSION IS .0015" T.I.R. TO 5 INCH DIA.

DIMENSIONS ARE IN INCHES; SEE SHEET 2 FOR DIMENSIONS IN MILLIMETERS

CUSTOMER IS RESPONSIBLE FOR DETERMINING THAT MOTOR PERFORMANCE IS SUITABLE IN THE APPLICATION.

SHEET NUMBER
1 OF 2

115-627219

| | |
|----------------------|------------------------------------|
| REV. DESC | UPDATE NOTE #2 TO READ +0.02/-0.04 |
| REV: C | VERSION: 03 |
| MODEL NO. 617429-511 | REVISED: 09-05-55 05/16/2017 |
| BY: RAGRS1 | MATERIAL: |

BALDOR

G405T-404T STD - FOOTED - 841XL/ECP SEVERE DUTY ENCLOSURE

617429-511

DUTY MASTER ALTERNATING CURRENT MOTORS

SQUIRREL-CAGE INDUCTION

ENCLOSURE: TOTALLY ENCLOSED

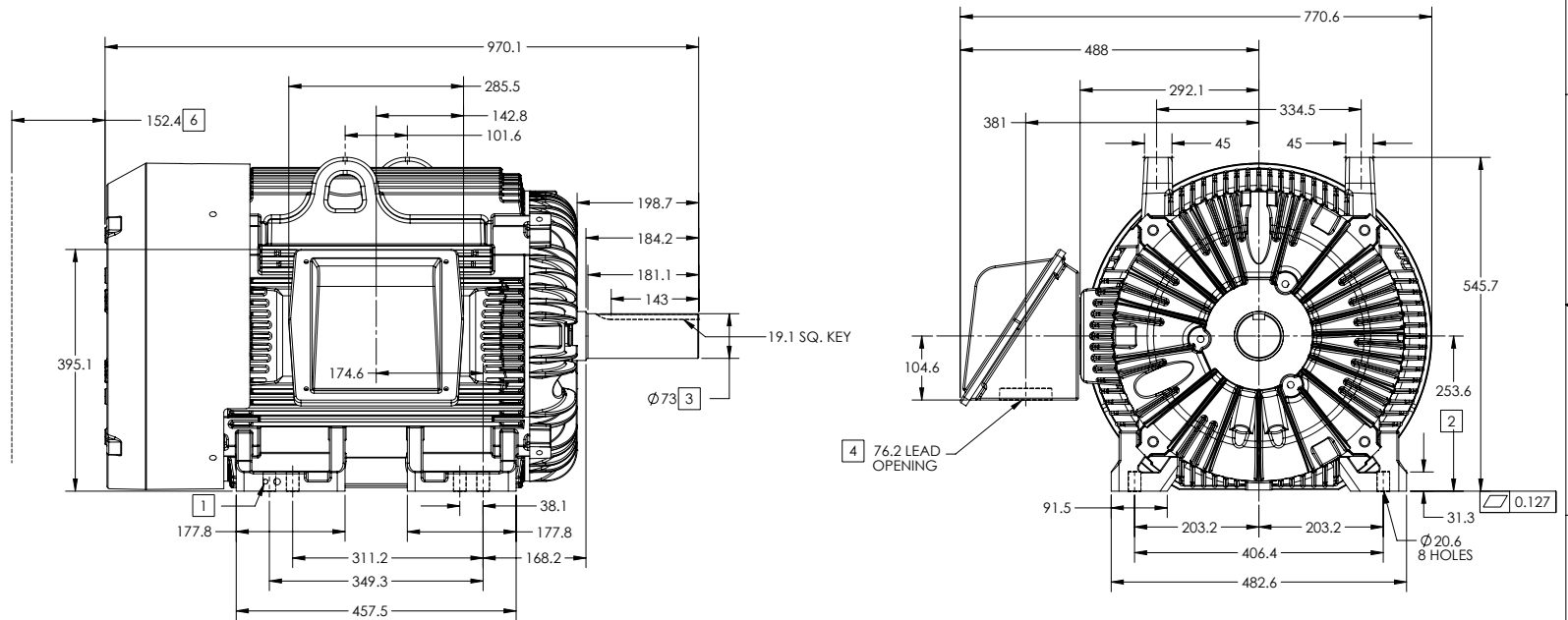
FRAME G405T ABOVE NEMA RATINGS

COOLING: FAN COOLED

MOUNTING: FOOT

INCLUDES 404T FRAME MOUNTING HOLES

841XL ENCLOSURE ENHANCEMENT



1. GROUND HOLES QTY 1 1/2-13 TAP; QTY 1 3/8-16 TAP
2. VARIES +5,-1.0
3. VARIES +.00,-.03
4. ON STANDARD MOTORS THIS IS CONDUIT SIZE. ON XT AND CORROSION PROOF MOTOR THIS IS PIPE TAP.
5. MOTOR WEIGHTS MAY VARY BY 15% DEPENDING ON RATING.
6. OBSTRUCTION MUST NOT ENCROACH ON AIR INLET

[5] WEIGHT (KGS): 630

CONDUIT BOX LOCATED ON OPPOSITE SIDE WHEN F-2.
IF MOUNTING CLEARANCE DETAILS ARE REQUIRED, CONSULT FACTORY.
MAXIMUM PERMISSIBLE SHAFT RUNOUT WHEN MEASURED AT END OF STANDARD SHAFT EXTENSION IS .04 MM T.I.R. TO 127 MM DIA.

DIMENSIONS ARE IN MILLIMETERS; SEE SHEET 1 FOR DIMENSIONS IN INCHES

CUSTOMER IS RESPONSIBLE FOR DETERMINING THAT MOTOR PERFORMANCE IS SUITABLE IN THE APPLICATION.

SHEET NUMBER
2 OF 2

115-627219

| | | | |
|----------------------|------------------------------------|------------------------------|------------------|
| REV. DESC | UPDATE NOTE #2 TO READ +0.02/-0.04 | | |
| REV: C | VERSION: 03 | REVISED: 09-05-55 05/16/2017 | TDR: 00001028498 |
| MODEL NO. 617429-511 | | | REF: |
| BY: RAGSSI | Material: | | |

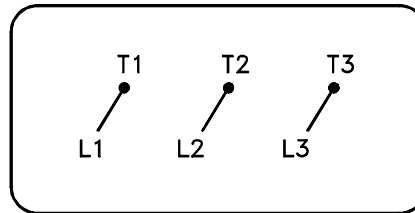
BALDOR

G405T-404T STD - FOOTED - 841XL/ECP SEVERE DUTY ENCLOSURE

617429-511

416820-036

A-C MOTOR
 CONNECTION DIAGRAM
 STANDARD 3 LEAD CONNECTED



(N.P. 1575-BA)

416820-036

| | | |
|--------------------------------------|------------------------------|-------------------|
| REV. DESC: LOADED TO BUS, C/R 335225 | | |
| REV. LTR: - | VERSION: 00 | TDR: 000000538207 |
| FILE: \MGA\00000\682 | REVISED: 11:54:06 04/30/2010 | |
| MTL: - | BY: RAGRA | |

BALDOR

CONN DIAG - STANDARD 3 LEAD

SH 1 of 1

Marketing maintained PDF of MN408:

<http://www.baldor.com/support/Literature/Load.ashx/MN408?ManNumber=MN408>

Marketing maintained PDF of MN416:

<http://www.baldor.com/support/Literature/Load.ashx/MN416?ManNumber=MN416>