

**BALDOR® • RELIANCE** 

**Product Information Packet**

**ECP84407TR-4**

**200HP, 1785RPM, 3PH, 60HZ, 447T, A44120M, TEFC**

Part Detail							
Revision:	Q	Status:	PRD/A	Change #:		Proprietary:	No
Type:	AC	Elec. Spec:	A44WG0690	CD Diagram:	416820-036	Mfg Plant:	
Mech. Spec:		Layout:	617427-062	Poles:	04	Created Date:	08-20-2012
Base:		Eff. Date:	10-30-2017	Leads:	3#1/0 (02 per group)		

Specs			
Catalog Number:	ECP84407TR-4	Feedback Device:	NO FEEDBACK
Enclosure:	TEFC	Heater Indicator:	No Heater
Frame:	447T	Insulation Class:	F
Frame Material:	Iron	Inverter Code:	Inverter Ready
Output @ Frequency:	200.000 HP @ 60 HZ	KVA Code:	G
Synchronous Speed @ Frequency:	1800 RPM @ 60 HZ	Lifting Lugs:	No Lifting Lugs
Voltage @ Frequency:	460.0 V @ 60 HZ	Motor Lead Quantity/Wire Size:	6 @ 1/0 AWG
XP Class and Group:	CLI GP A,B,C,D	Motor Type:	A44120M
XP Division:	Division II	Mounting Arrangement:	F1
Agency Approvals:	UR	Power Factor:	87
	CSA EEV	Pulley End Bearing Type:	Roller
	CCSA US	Pulley Face Code:	C-Face
Auxillary Box:	No Auxillary Box	Shaft Ground Indicator:	No Shaft Grounding
Base Indicator:	Rigid	Shaft Rotation:	Phase Seq-Std Rot (CCWODE)
Bearing Grease Type:	Mobil SHC 220 (Athens Only)	Shaft Slinger Indicator:	No Slinger
Constant Torque Speed Range:	30-60	Speed Code:	Single Speed
Current @ Voltage:	222.000 A @ 460.0 V	Motor Standards:	Other
Design Code:	B	Starting Method:	Direct on line

<b>Drip Cover:</b>	No Drip Cover	<b>Thermal Device - Bearing:</b>	NONE (OLD)
<b>Duty Rating:</b>	CONT	<b>Thermal Device - Winding:</b>	None
		<b>XP Temp Code:</b>	T3

Nameplate NP3237			
CAT NO	ECP84407TR-4	SPEC NO.	P44G3977
HP	200	AMPS	222
FRAME SIZE	447T	RPM	1785
D.E. BRG.DATA	NU222	O.D.E. BRG.DATA	6318
D.E. BRG.	110RU02M30X	TYPE	P
O.D.E. BRG.	90BC03J30X	ENCL	TEFC
3/4 LOAD EFF.	96.5	IP	56
TEMP CODE	T3	TEMP =	200
CHP HZ	60-90	CT HZ	30-60
INVERTER-TEMP-CODE	T3	VT HZ	0-60
SER.NO.		MOTOR WEIGHT	2608
		VOLTS	460
		PH	3
		AMB	40
		SF	1.15
		DESIGN	B
		DUTY	CONT
		INSUL.CLASS	F
		POWER FACTOR	87
		MAX CORR KVAR	32.0
		NEMA-NOM-EFFICIENCY	96.2
		GUARANTEED EFFICIENCY	95.4

<b>Nameplate 000613007EX</b>			
<b>CAT NO</b>	ECP84407TR-4	<b>SPEC NO.</b>	P44G3977
<b>NO. ROTOR BARS</b>	58	<b>GREASE TYPE</b>	MOBIL SHC 220
<b>NO. SLOTS</b>	72	<b>NL AMPS AT RATED VOLTAGE</b>	60.4
<b>5 YEAR WARRANTY</b>		<b>WINDING RES @25 C</b>	.0209
<b>MFG. DATE</b>		<b>SER.NO</b>	
		<b>OHMS</b>	

Nameplate NP2496L

MOBIL SHC -220 GREASE

Parts List		
Part Number	Description	Quantity
SA249744	SA P44G3977	1.000 EA
RA236604	RA P44G3977	1.000 EA
000613006PU	N/P (RELEASE QTY 10,000) UL CSA LABEL	1.000 EA
NP3237	SS SUPER E INVERTER DUTY IEEE 841	1.000 EA
000613007EX	SS IEEE 841 EMBOSSED AUXILIARY NAMEPLATE	1.000 EA
000692000FF	N/P	1.000 EA
000692000JP	N/P	1.000 EA
000692000RT	N/P	1.000 EA
000692000VD	LABEL WARNING	1.000 EA
NP2496L	MOTOR LUBE NAMEPLATE	1.000 EA
004824015AP	GREASE MOBILITH SHC 220	1.156 LB
032018008CK	HHCS 3/8-16X1L PLATED	4.000 EA
032018020FK	HHCS 3/4-10X2-1/2 PLTD.	4.000 EA
032018030DK	HHCS 1/2-13X3-3/4 PLTD.	3.000 EA
032018030DK	HHCS 1/2-13X3-3/4 PLTD.	3.000 EA
032620016LA	SOCKET SET SCREW-449	3.000 EA
034017014AB	LCKW 3/8 STD. PLATED	4.000 EA
034180014DA	KEY 1/4X1/4X1-3/4 L	1.000 EA
034530072AB	P/NIP 1/8X9"L Threaded both ends	1.000 EA
034530072BB	PIPE NIPPLE,DE - 440-BS	1.000 EA
034600001AA	BUSH 1/4TO1/8 BLACK	1.000 EA
034630002AB	CPLG 1/4" PLATED	1.000 EA
034690005AB	PPLG 3/4 PLATED	2.000 EA
035000001G	GREASE RELIEF FITTING, ALEMITE 317400	1.000 EA

Parts List (continued)		
Part Number	Description	Quantity
089490101C	G28 BRKT 089490100WCA	1.000 EA
078548001R	FAN KB 234/150 (84) 400	1.000 EA
083199082RA	G28 SHORT FAN COVER W/BAFFLE ASSEMBLY	1.000 EA
089490099D	G28 BRKT 089490098WCA	1.000 EA
415028021L	SEAL - 449	1.000 EA
415072001B	CLAMP	1.000 EA
415096002A	CPLG 1/8 HEX TYPE	1.000 EA
418151014G	RETAIN RING	1.000 EA
423709011D	WASHER	3.000 EA
032018004BK	HHCS 5/16-18X1/2 PLATED	3.000 EA
032018020FK	HHCS 3/4-10X2-1/2 PLTD.	4.000 EA
034017013AB	LCKW 5/16 STD. PLATED	3.000 EA
415915007G	GASK, LAC	1.000 FT
034530044AB	P/NIP 1/8X5-1/2L GALV.	1.000 EA
034530044BB	P/NIP 1/4X5-1/2L PLT	1.000 EA
034600001AA	BUSH 1/4TO1/8 BLACK	1.000 EA
034630002AB	CPLG 1/4" PLATED	1.000 EA
035000001G	GREASE RELIEF FITTING, ALEMITE 317400	1.000 EA
415028021K	INPRO SEAL,DE - 449	1.000 EA
415096002A	CPLG 1/8 HEX TYPE	1.000 EA
418151014H	RETAIN RING	1.000 EA
423709011D	WASHER	3.000 EA
702623013A	THERMAL BARRIER -- G28 -- BRACKET MTD	1.000 EA
032018008BK	HHCS 5/16-18X1L PLATED	4.000 EA



Product Information Packet: ECP84407TR-4 - 200HP,1785RPM,3PH,60HZ,447T,A44120M,TEFC

032018008DK	HHCS 1/2-13X1 PLATED	4.000 EA
033512004LB	HHTTS 1/4-20X1/2 PLTD.	1.000 EA
035000001A	ALFTG 1/8" 1610-BL	1.000 EA
035000001A	ALFTG 1/8" 1610-BL	1.000 EA
067053014A	GASK 440	1.000 EA
076870000B	+CBCST BLKT - 440	1.000 EA
076871000A	+CBOX CVR BLKT - 449	1.000 EA
406056007A	GASKET, 440	1.000 EA
406099000A	PLUG - FAN COVER 320-440	1.000 EA
415000103D	T/LUG #4AWG-1/0AWG W/HOLE FOR .250 BOLT	1.000 EA
418150003A	GREASE FITTING CAP	1.000 EA
418150003A	GREASE FITTING CAP	1.000 EA
033775004EA	DRSCR #6-1/4 304 S.S.	2.000 EA
034180054KA	7/8 SQ X 6.75 KEY	1.000 EA
MG1025N19	WILKO 778.50 BLUE GREEN - 55 GAL DRUMS	0.375 GA
004824003CBY	WILKO PAINT 060.02 - ACTIVATOR	0.094 GA
604797056	WOOD BASE 447 60 X 41-1/2 BLT 20 X 18	1.000 EA
MG1500G03-5	LACQUER PRIMER, GRAY	0.094 GA
421948051	LABEL, MYLAR	1.000 EA
LB1449	DIV-2/NEC WARNING LABEL	1.000 EA
412118006A	DRAIN	2.000 EA

REL. S.O.	FRAME	HP	TYPE	PHASE/HERTZ	RPM	VOLTS
	447TS	200	P	3/60	1785	460
AMPS	DUTY	AMB °C/ INSUL.	S.F.	NEMA DESIGN	CODE LETTER	ENCL.
222	CONT	40/F	1.15	B	G	TEFC
E/S	ROTOR	TEST S.O.	TEST DATE	STATOR RES. @25 °C OHMS (BETWEEN LINES)		
---	418143052CE	---	---	.0169		

PERFORMANCE

LOAD	HP	AMPERES	RPM	POWER FACTOR %	EFFICIENCY %
NO LOAD	0	62.0	1800	4.07	0
1/4	50.0	88.3	1796	56.3	94.3
2/4	100	126	1793	77.4	96.2
3/4	150	172	1789	84.8	96.4
4/4	200	222	1785	87.6	96.2
5/4	250	276	1781	88.4	95.8

SPEED TORQUE

	RPM	TORQUE % FULL LOAD	TORQUE LB.-FT.	AMPERES
LOCKED ROTOR	0	147	865	1428
PULL UP	540	123	726	1332
BREAKDOWN	1730	268	1579	770
FULL LOAD	1785	100	588	222

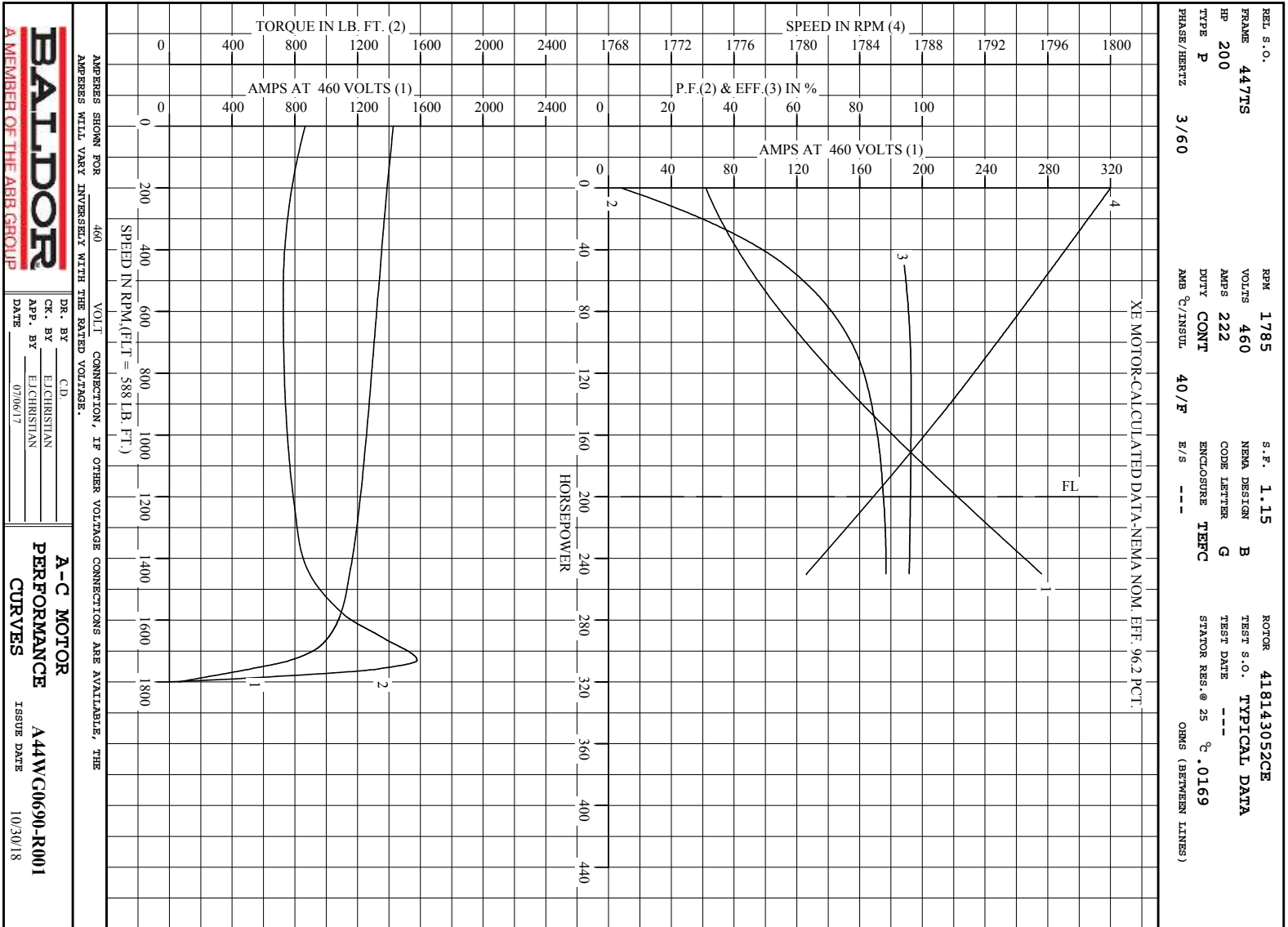
AMPERES SHOWN FOR 460. VOLT CONNECTION. IF OTHER VOLTAGE CONNECTIONS ARE AVAILABLE, THE AMPERES WILL VARY INVERSELY WITH THE RATED VOLTAGE

REMARKS : TYPICAL DATA  
 XE MOTOR-CALCULATED DATA-NEMA NOM. EFF. 96.2 PCT.



DR. BY C.D.  
 CK. BY E.J. CHRISTIAN  
 APP. BY E.J. CHRISTIAN  
 DATE 07/06/17

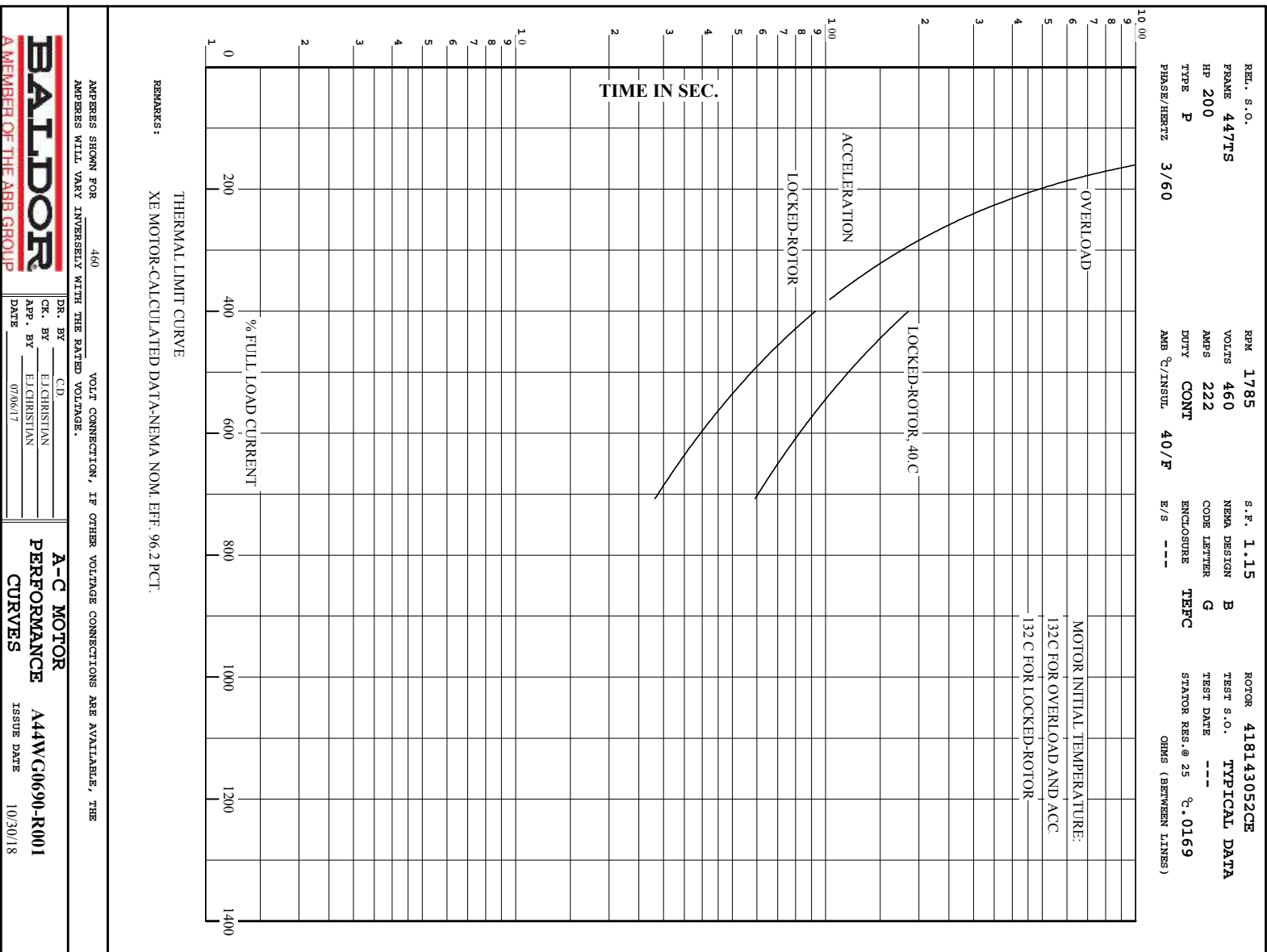
A-C MOTOR  
 PERFORMANCE DATA  
 A44WG0690-R001  
 ISSUE DATE 10/30/18



**BALDOR**  
A MEMBER OF THE ABB GROUP

DR. BY C.D.  
CK. BY E.J. CHRISTIAN  
APP. BY E.J. CHRISTIAN  
DATE 07/06/17

**A-C MOTOR**  
**PERFORMANCE** A44WC0690-R001  
**CURVES** ISSUE DATE 10/30/18



**BALDOR**  
 A MEMBER OF THE ABB GROUP

DR. BY C.D.  
 CK. BY E. CHRISTIAN  
 APP. BY E. CHRISTIAN  
 DATE 07/06/17

**A-C MOTOR PERFORMANCE CURVES**  
 A44W/C0690-R001  
 ISSUE DATE 10/30/18

### DUTY MASTER ALTERNATING CURRENT MOTORS

#### SQUIRREL-CAGE INDUCTION

ENCLOSURE: TOTALLY ENCLOSED

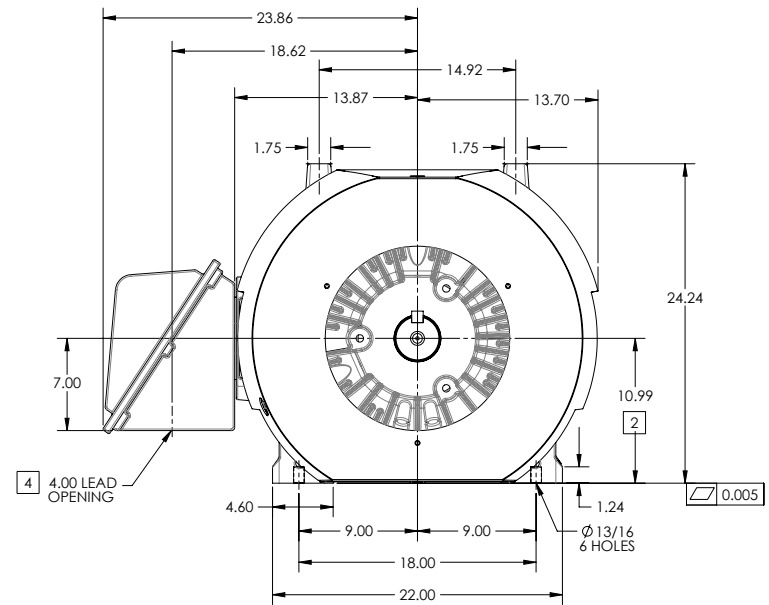
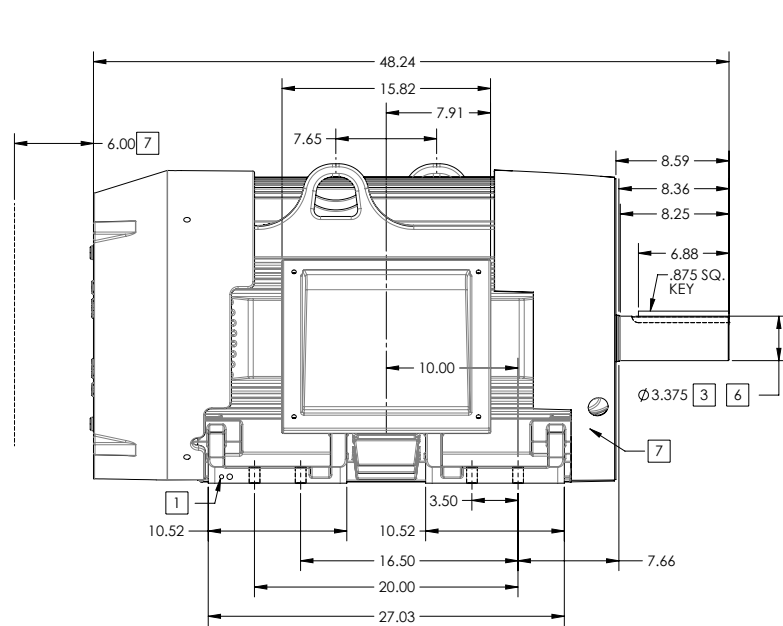
FRAME G447T ABOVE NEMA RATINGS

COOLING: FAN COOLED

MOUNTING: FOOT

INCLUDES 445T FRAME MOUNTING HOLES

841XL ENCLOSURE ENHANCEMENT



- 1. GROUND HOLES QTY 1 1/2-13 TAP; QTY 1 3/8-16 TAP
- 2. VARIES +.00,-.06
- 3. VARIES +.000,-.001
- 4. ON STANDARD MOTORS THIS IS CONDUIT SIZE. ON XT AND CORROSION PROOF MOTOR THIS IS PIPE TAP.
- 5. MOTOR WEIGHTS MAY VARY BY 15% DEPENDING ON RATING.
- 6. SHAFT TIR = 0.0015 IN FOR BALL BEARING MOTORS AND 0.002 IN FOR ROLLER BEARING CONSTRUCTION
- 7. OBSTRUCTION MUST NOT ENCR OACH ON AIR INLET.
- 8. AIR DEFLECTOR INSTALLED WHEN REQUIRED.

**5 WEIGHT (LBS): 2515**

DRIVE END AIR DEFLECTOR IS ONLY INCLUDED WHEN NECESSARY.

DIMENSIONS ARE IN INCHES; SEE SHEET 2 FOR DIMENSIONS IN MILLIMETERS

CUSTOMER IS RESPONSIBLE FOR DETERMINING THAT MOTOR PERFORMANCE IS SUITABLE IN THE APPLICATION.

CONDUIT BOX LOCATED ON OPPOSITE SIDE WHEN F-2. IF MOUNTING CLEARANCE DETAILS ARE REQUIRED, CONSULT FACTORY. MAXIMUM PERMISSIBLE SHAFT RUNOUT WHEN MEASURED AT END OF STANDARD SHAFT EXTENSION IS .0015" T.I.R. TO 5 INCH DIA.

SHEET NUMBER  
**1 OF 2**

617427-062

REV. DESC: CHANGE SHAFT RUNOUT TO .0015"			
REV: B	VERSION: 02	REVISED: 02-29-34 08/17/2016	TDR: 00000993142
MODEL NO. 617427-062		REF:	
BY: RAGSS1	Material:	C	

**BALDOR**

G447T/445T STD - FOOTED - SIDE-CENTER CB - 841XL

617427-062

617427-062

### DUTY MASTER ALTERNATING CURRENT MOTORS

SQUIRREL-CAGE INDUCTION

ENCLOSURE: TOTALLY ENCLOSED

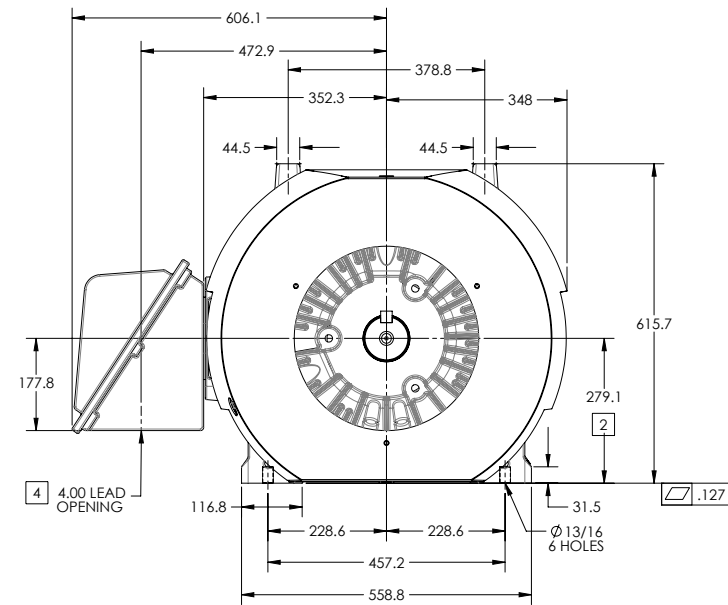
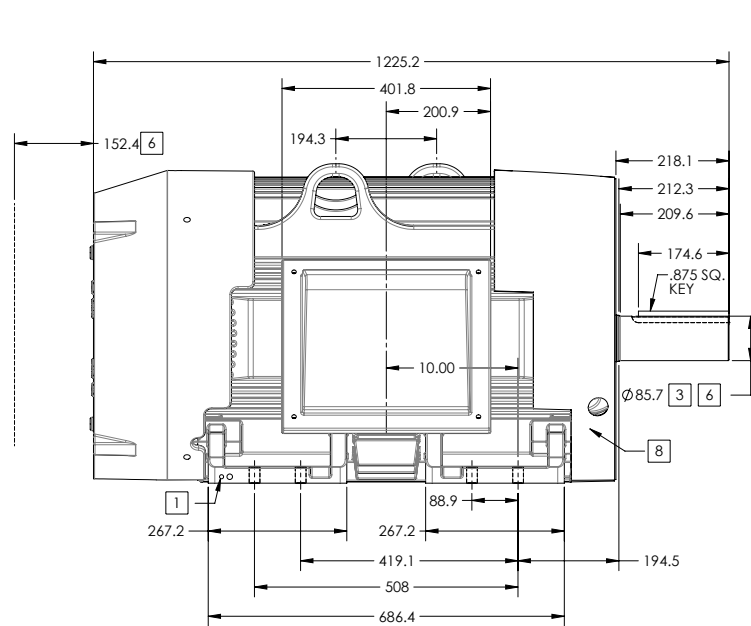
FRAME G447T ABOVE NEMA RATINGS

COOLING: FAN COOLED

MOUNTING: FOOT

INCLUDES 445T FRAME MOUNTING HOLES

841XL ENCLOSURE ENHANCEMENT



- 1. GROUND HOLES QTY 1 1/2-13 TAP; QTY 1 3/8-16 TAP
- 2. VARIES +.00,-.06
- 3. VARIES +.000,-.001
- 4. ON STANDARD MOTORS THIS IS CONDUIT SIZE. ON XT AND CORROSION PROOF MOTOR THIS IS PIPE TAP.
- 5. MOTOR WEIGHTS MAY VARY BY 15% DEPENDING ON RATING.
- 6. SHAFT TIR = 0.038MM FOR BALL BEARING MOTORS AND 0.051 MM FOR ROLLER BEARING CONSTRUCTION
- 7. OBSTRUCTION MUST NOT ENCR OACH ON AIR INLET.
- 8. AIR DEFLECTOR INSTALLED WHEN REQUIRED.

CONDUIT BOX LOCATED ON OPPOSITE SIDE WHEN F-2. IF MOUNTING CLEARANCE DETAILS ARE REQUIRED, CONSULT FACTORY. MAXIMUM PERMISSIBLE SHAFT RUNOUT WHEN MEASURED AT END OF STANDARD SHAFT EXTENSION IS .03 MM T.I.R. TO 127 MM DIA.

**5** WEIGHT (KGS): 1140

DRIVE END AIR DEFLECTOR IS ONLY INCLUDED WHEN NECESSARY.

DIMENSIONS ARE IN MILLIMETERS; SEE SHEET 1 FOR DIMENSIONS IN INCHES

CUSTOMER IS RESPONSIBLE FOR DETERMINING THAT MOTOR PERFORMANCE IS SUITABLE IN THE APPLICATION.

REV. DESC: CHANGE SHAFT RUNOUT TO .0015"			
REV: B	VERSION: 02	REVISED: 02-29-34 08/17/2016	TDR: 00000993142
MODEL NO. 617427-062			REF:
BY: RAGSS1	Material:		

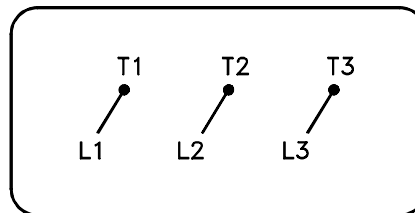
**BALDOR**

G447T/445T STD - FOOTED - SIDE-CENTER CB - 841XL

617427-062

416820-036

A-C MOTOR  
 CONNECTION DIAGRAM  
 STANDARD 3 LEAD CONNECTED



(N.P. 1575-BA)

416820-036

REV. DESC: LOADED TO BUS, C/R 335225		
REV. LTR: -	VERSION: 00	TDR: 000000538207
FILE: \MGA\00000\682	REVISED: 11:54:06 04/30/2010	
MTL: -	BY: RAGRA	

**BALDOR**

CONN DIAG - STANDARD 3 LEAD  
 SH 1 of 1

Marketing maintained PDF of MN408:

<http://www.baldor.com/support/Literature/Load.ashx/MN408?ManNumber=MN408>



Marketing maintained PDF of MN416:

<http://www.baldor.com/support/Literature/Load.ashx/MN416?ManNumber=MN416>