

BALDOR® • RELIANCE 

Product Information Packet

ECP84409T-4

100HP, 1190RPM, 3PH, 60HZ, 444T, A44064M, TEFC

| Part Detail | | | | | | | |
|-------------|----|-------------|------------|-------------|------------|---------------|------------|
| Revision: | R | Status: | PRD/A | Change #: | | Proprietary: | No |
| Type: | AC | Elec. Spec: | A44WG3905 | CD Diagram: | 416820-036 | Mfg Plant: | |
| Mech. Spec: | | Layout: | 617427-061 | Poles: | 06 | Created Date: | 08-17-2012 |
| Base: | | Eff. Date: | 10-16-2017 | Leads: | 3#2 | | |

| Specs | | | |
|--------------------------------|-------------------------|--------------------------------|-----------------------|
| Catalog Number: | ECP84409T-4 | Feedback Device: | NO FEEDBACK |
| Enclosure: | TEFC | Heater Indicator: | No Heater |
| Frame: | 444T | Insulation Class: | F |
| Frame Material: | Iron | Inverter Code: | Inverter Ready |
| Output @ Frequency: | 100.000 HP @ 60 HZ | KVA Code: | G |
| Synchronous Speed @ Frequency: | 1200 RPM @ 60 HZ | Lifting Lugs: | Standard Lifting Lugs |
| Voltage @ Frequency: | 460.0 V @ 60 HZ | Motor Lead Quantity/Wire Size: | 3 @ 2 AWG |
| XP Class and Group: | CLI GP A,B,C,D | Motor Type: | A44064M |
| XP Division: | Division II | Mounting Arrangement: | F1 |
| Agency Approvals: | UR | Power Factor: | 82 |
| | CSA EEV | Pulley End Bearing Type: | Ball |
| | CCSA US | Pulley Face Code: | Standard |
| Auxillary Box: | No Auxillary Box | Shaft Ground Indicator: | No Shaft Grounding |
| Base Indicator: | Rigid | Shaft Rotation: | Reversible |
| Bearing Grease Type: | Polyrex EM (-20F +300F) | Shaft Slinger Indicator: | No Slinger |
| Constant Torque Speed Range: | 15-60 | Speed Code: | Single Speed |
| Current @ Voltage: | 119.000 A @ 460.0 V | Motor Standards: | None |
| Design Code: | B | Starting Method: | Direct on line |

| | | | |
|---------------------|---------------|----------------------------------|------------|
| Drip Cover: | No Drip Cover | Thermal Device - Bearing: | NONE (OLD) |
| Duty Rating: | CONT | Thermal Device - Winding: | None |
| | | XP Temp Code: | T3 |

| Nameplate NP3237 | | | | | | | | | | | | |
|--------------------|-------------|-----------------|----------|---------------|-----------------------|------|----|------|------|--------|-------------|---|
| CAT NO | ECP84409T-4 | SPEC NO. | P44G3958 | | | | | | | | | |
| HP | 100 | AMPS | 119 | VOLTS | 460 | | | | | | | |
| FRAME SIZE | 444T | RPM | 1190 | HZ | 60 | AMB | 40 | SF | 1.15 | DESIGN | B | |
| D.E. BRG.DATA | 6318 | O.D.E. BRG.DATA | 6318 | | PH | 3 | | DUTY | CONT | | INSUL.CLASS | F |
| D.E. BRG. | 90BC03J30X | TYPE | P | ENCL | TEFC | CODE | G | | | | | |
| O.D.E. BRG. | 90BC03J30X | POWER FACTOR | 82 | | NEMA-NOM-EFFICIENCY | 95 | | | | | | |
| 3/4 LOAD EFF. | 95.3 | IP | 56 | MAX CORR KVAR | 27.0 | | | | | | | |
| TEMP CODE | T3 | TEMP = | 200 | | GUARANTEED EFFICIENCY | 94.1 | | | | | | |
| CHP HZ | 60-90 | CT HZ | 15-60 | | VT HZ | 0-60 | | | | | | |
| INVERTER-TEMP-CODE | T3 | SER.NO. | | | MOTOR WEIGHT | | | | | | | |

Nameplate 000613007EX

| | | | |
|-----------------|-------------|--------------------------|------------|
| CAT NO | ECP84409T-4 | SPEC NO. | P44G3958 |
| NO. ROTOR BARS | 71 | GREASE TYPE | POLYREX EM |
| NO. SLOTS | 90 | NL AMPS AT RATED VOLTAGE | 39.4 |
| 5 YEAR WARRANTY | | WINDING RES @25 C | .05474 |
| MFG. DATE | | SER.NO | |
| | | | OHMS |
| | | | |
| | | | |

| Parts List | | |
|-------------|--|----------|
| Part Number | Description | Quantity |
| SA249728 | SA P44G3958 | 1.000 EA |
| RA236588 | RA P44G3958 | 1.000 EA |
| 000613006PU | N/P (RELEASE QTY 10,000) UL CSA LABEL | 1.000 EA |
| NP3237 | SS SUPER E INVERTER DUTY IEEE 841 | 1.000 EA |
| 000613007EX | SS IEEE 841 EMBOSSED AUXILIARY NAMEPLATE | 1.000 EA |
| 000692000FF | N/P | 1.000 EA |
| 000692000JP | N/P | 1.000 EA |
| 000692000VD | LABEL WARNING | 1.000 EA |
| 000692000VH | N/P (RELEASE 1000 PCS) | 1.000 EA |
| 421948051 | LABEL, MYLAR | 1.000 EA |
| 004824015A | GREASE POLYREX EM | 1.160 LB |
| 032018008CK | HHCS 3/8-16X1L PLATED | 4.000 EA |
| 032018020FK | HHCS 3/4-10X2-1/2 PLTD. | 4.000 EA |
| 032018030DK | HHCS 1/2-13X3-3/4 PLTD. | 3.000 EA |
| 032620016LA | SOCKET SET SCREW-449 | 3.000 EA |
| 034017014AB | LCKW 3/8 STD. PLATED | 4.000 EA |
| 034180014DA | KEY 1/4X1/4X1-3/4 L | 1.000 EA |
| 034530072AB | P/NIP 1/8X9"L Threaded both ends | 1.000 EA |
| 034530072BB | PIPE NIPPLE,DE - 440-BS | 1.000 EA |
| 034600001AA | BUSH 1/4TO1/8 BLACK | 1.000 EA |
| 034630002AB | CPLG 1/4" PLATED | 1.000 EA |
| 034690005AB | PPLG 3/4 PLATED | 2.000 EA |
| 035000001G | GREASE RELIEF FITTING, ALEMITE 317400 | 1.000 EA |
| 089490099D | G28 BRKT 089490098WCA | 1.000 EA |

| Parts List (continued) | | |
|------------------------|---------------------------------------|----------|
| Part Number | Description | Quantity |
| 078549001DA | FAN 400 078549001F | 1.000 EA |
| 083199082RA | G28 SHORT FAN COVER W/BAFFLE ASSEMBLY | 1.000 EA |
| 089490099D | G28 BRKT 089490098WCA | 1.000 EA |
| 410700004A | WSHR | 1.000 EA |
| 415028021L | SEAL - 449 | 1.000 EA |
| 415072001B | CLAMP | 1.000 EA |
| 415096002A | CPLG 1/8 HEX TYPE | 1.000 EA |
| 423709011D | WASHER | 3.000 EA |
| 032018004BK | HHCS 5/16-18X1/2 PLATED | 3.000 EA |
| 032018020FK | HHCS 3/4-10X2-1/2 PLTD. | 4.000 EA |
| 032018030DK | HHCS 1/2-13X3-3/4 PLTD. | 3.000 EA |
| 034017013AB | LCKW 5/16 STD. PLATED | 3.000 EA |
| 415915007G | GASK, LAC | 1.000 FT |
| 034530044AB | P/NIP 1/8X5-1/2L GALV. | 1.000 EA |
| 034530044BB | P/NIP 1/4X5-1/2L PLT | 1.000 EA |
| 034600001AA | BUSH 1/4TO1/8 BLACK | 1.000 EA |
| 034630002AB | CPLG 1/4" PLATED | 1.000 EA |
| 035000001G | GREASE RELIEF FITTING, ALEMITE 317400 | 1.000 EA |
| 415028021L | SEAL - 449 | 1.000 EA |
| 415096002A | CPLG 1/8 HEX TYPE | 1.000 EA |
| 418151014G | RETAIN RING | 1.000 EA |
| 423709011D | WASHER | 3.000 EA |
| 702623013A | THERMAL BARRIER -- G28 -- BRACKET MTD | 1.000 EA |
| 032018008BK | HHCS 5/16-18X1L PLATED | 4.000 EA |

Product Information Packet: ECP84409T-4 - 100HP,1190RPM,3PH,60HZ,444T,A44064M,TEFC

| | | |
|-------------|--|----------|
| 032018008DK | HHCS 1/2-13X1 PLATED | 4.000 EA |
| 033512006LB | HHTTS 1/4-20X3/4 PLTD. | 1.000 EA |
| 035000001A | ALFTG 1/8" 1610-BL | 1.000 EA |
| 035000001A | ALFTG 1/8" 1610-BL | 1.000 EA |
| 067053001C | GASK 440 | 1.000 EA |
| 076863000C | +CBCST BLKT - 440 | 1.000 EA |
| 076864000A | CBCST BLKT - 440 | 1.000 EA |
| 406056007A | GASKET, 440 | 1.000 EA |
| 406099000A | PLUG - FAN COVER 320-440 | 1.000 EA |
| 415000103D | T/LUG #4AWG-1/0AWG W/HOLE FOR .250 BOLT | 1.000 EA |
| 418150003A | GREASE FITTING CAP | 1.000 EA |
| 418150003A | GREASE FITTING CAP | 1.000 EA |
| MG1025N19 | WILKO 778.50 BLUE GREEN - 55 GAL DRUMS | 0.250 GA |
| 033775004EA | DRSCR #6-1/4 304 S.S. | 2.000 EA |
| 034180054KA | 7/8 SQ X 6.75 KEY | 1.000 EA |
| MN416 | TAG-INSTAL-MAINT w/wire. (1200/bx) 10/14 | 1.000 EA |
| 604797045 | STD. 400 FRAME SKID | 1.000 EA |
| LB1449 | DIV-2/NEC WARNING LABEL | 1.000 EA |
| 412118006A | DRAIN | 2.000 EA |

| | | | | | | |
|-----------|-------------|---------------|-----------|---|-------------|-------|
| REL. S.O. | FRAME | HP | TYPE | PHASE/HERTZ | RPM | VOLTS |
| | 444T | 100 | P | 3/60 | 1190 | 460 |
| AMPS | DUTY | AMB °C/INSUL. | S.F. | NEMA DESIGN | CODE LETTER | ENCL. |
| 119 | CONT | 40/F | 1.15 | B | G | TEFC |
| E/S | ROTOR | TEST S.O. | TEST DATE | STATOR RES. @25 °C OHMS (BETWEEN LINES) | | |
| 497780 | 418143098VE | --- | --- | .0547 | | |

PERFORMANCE

| LOAD | HP | AMPERES | RPM | POWER FACTOR % | EFFICIENCY % |
|---------|------|---------|------|----------------|--------------|
| NO LOAD | 0 | 39.4 | 1200 | 4.00 | 0 |
| 1/4 | 25.0 | 55.3 | 1197 | 45.8 | 92.6 |
| 2/4 | 50.0 | 72.2 | 1194 | 68.3 | 95.0 |
| 3/4 | 75.0 | 94.2 | 1191 | 78.2 | 95.3 |
| 4/4 | 100 | 119 | 1188 | 82.5 | 95.0 |
| 5/4 | 125 | 147 | 1184 | 84.3 | 94.4 |

SPEED TORQUE

| | RPM | TORQUE % FULL LOAD | TORQUE LB.-FT. | AMPERES |
|--------------|------|--------------------|----------------|---------|
| LOCKED ROTOR | 0 | 139 | 614 | 723 |
| PULL UP | 168 | 124 | 548 | 710 |
| BREAKDOWN | 1146 | 263 | 1165 | 433 |
| FULL LOAD | 1188 | 100 | 442 | 119 |

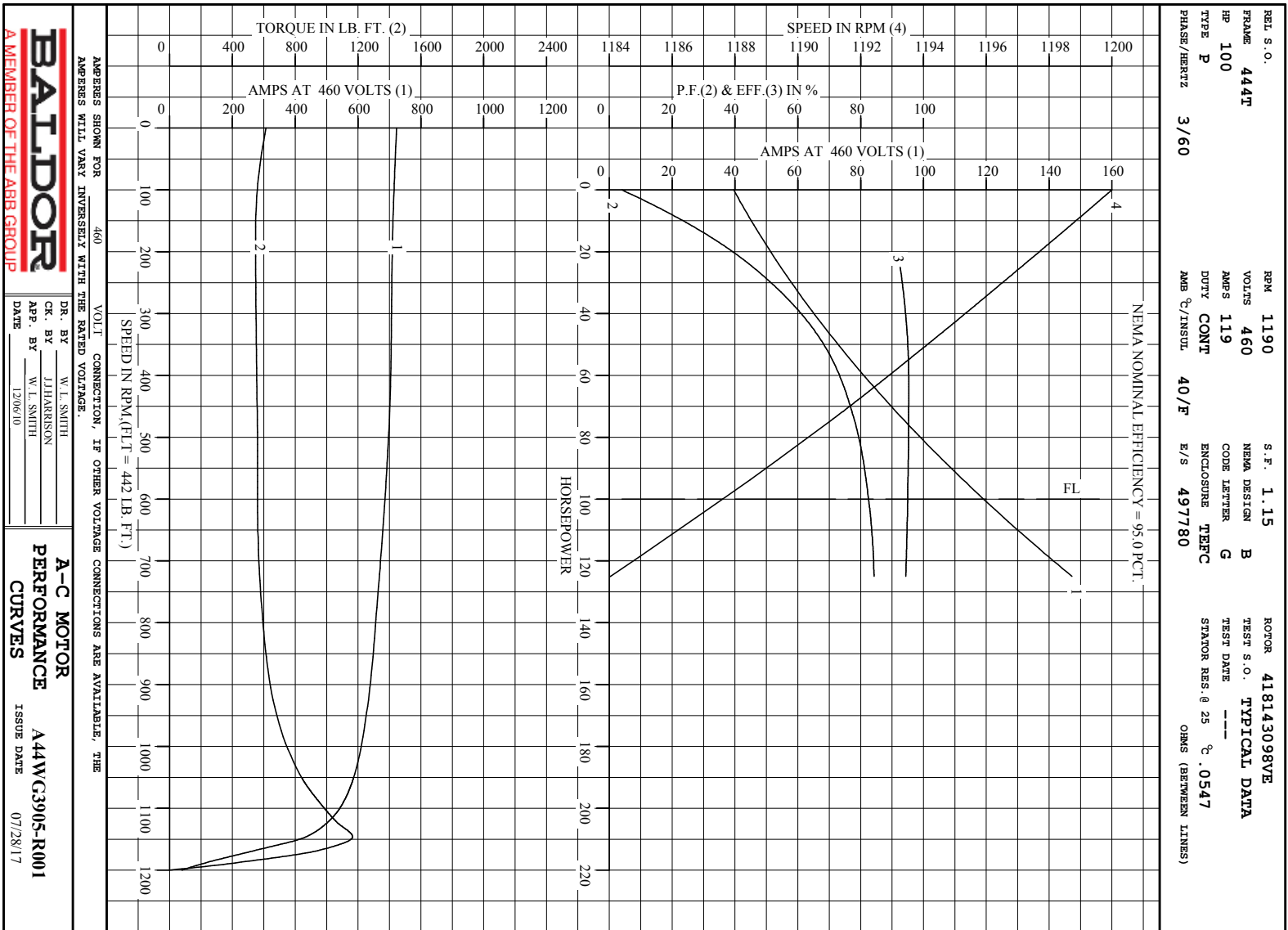
AMPERES SHOWN FOR 460. VOLT CONNECTION. IF OTHER VOLTAGE CONNECTIONS ARE AVAILABLE, THE AMPERES WILL VARY INVERSELY WITH THE RATED VOLTAGE

REMARKS: TYPICAL DATA
NEMA NOMINAL EFFICIENCY = 95.0 PCT.



DR. BY W. L. SMITH
CR. BY J. J. HARRISON
APP. BY W. L. SMITH
DATE 12/06/10

A-C MOTOR PERFORMANCE DATA
A44WG3905-R001
ISSUE DATE 07/28/17



BALDOR
A MEMBER OF THE ABB GROUP

APPROVED SHOWN FOR 460 VOLTS
AMPS WILL VARY INVERSELY WITH THE RATED VOLTAGE.

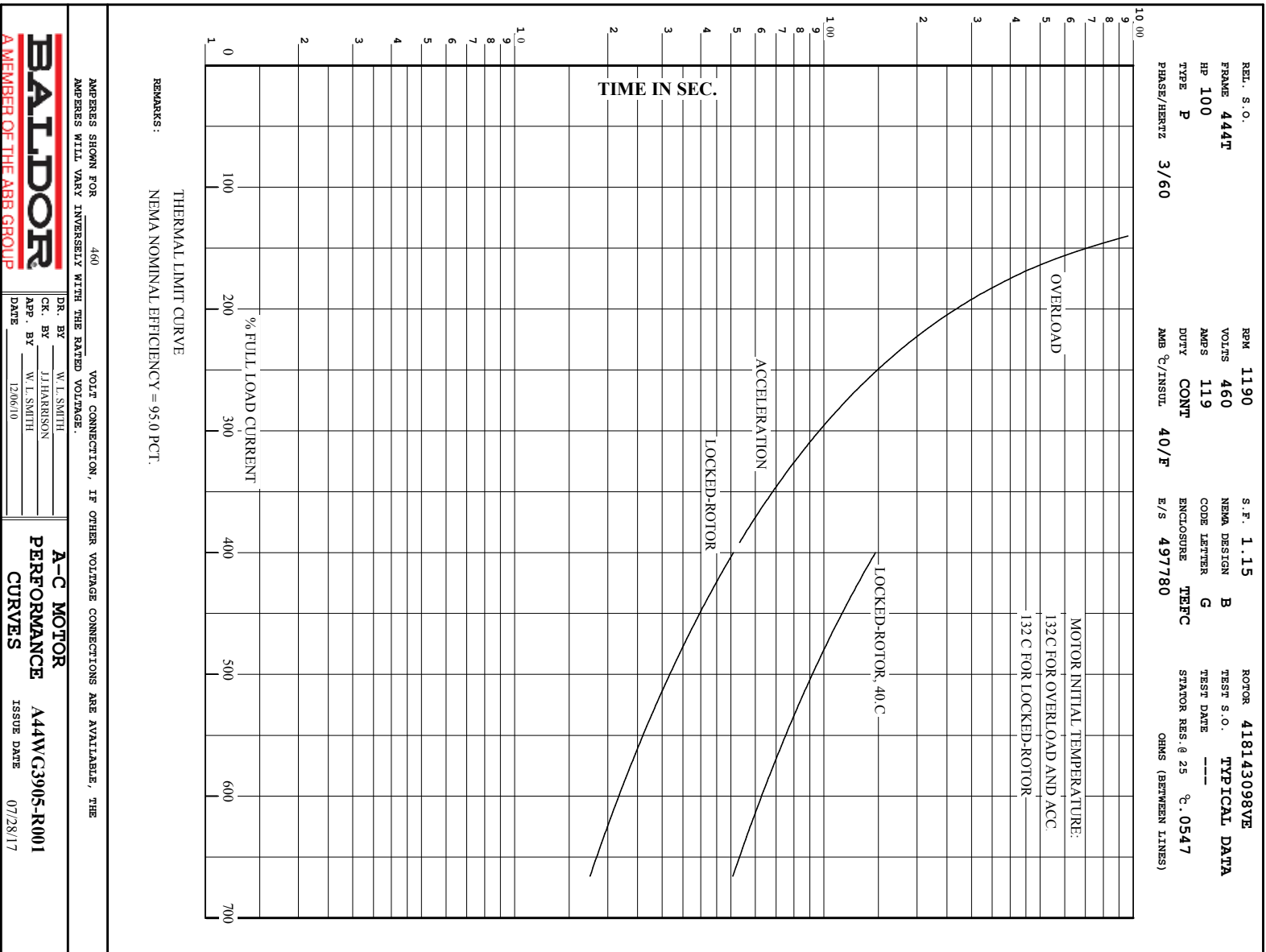
DR. BY W. L. SMITH
CHK. BY J. HARRISON
APP. BY W. L. SMITH
DATE 12/06/10

VOLT CONNECTION, IF OTHER VOLTAGE CONNECTIONS ARE AVAILABLE, THE

A-C MOTOR
PERFORMANCE
CURVES

A44WC3905-R001
ISSUE DATE 07/28/17

Printed on 7/28/17 10:45 @ bengap01.baldor.com



617427-061

DUTY MASTER ALTERNATING CURRENT MOTORS

SQUIRREL-CAGE INDUCTION

ENCLOSURE: TOTALLY ENCLOSED

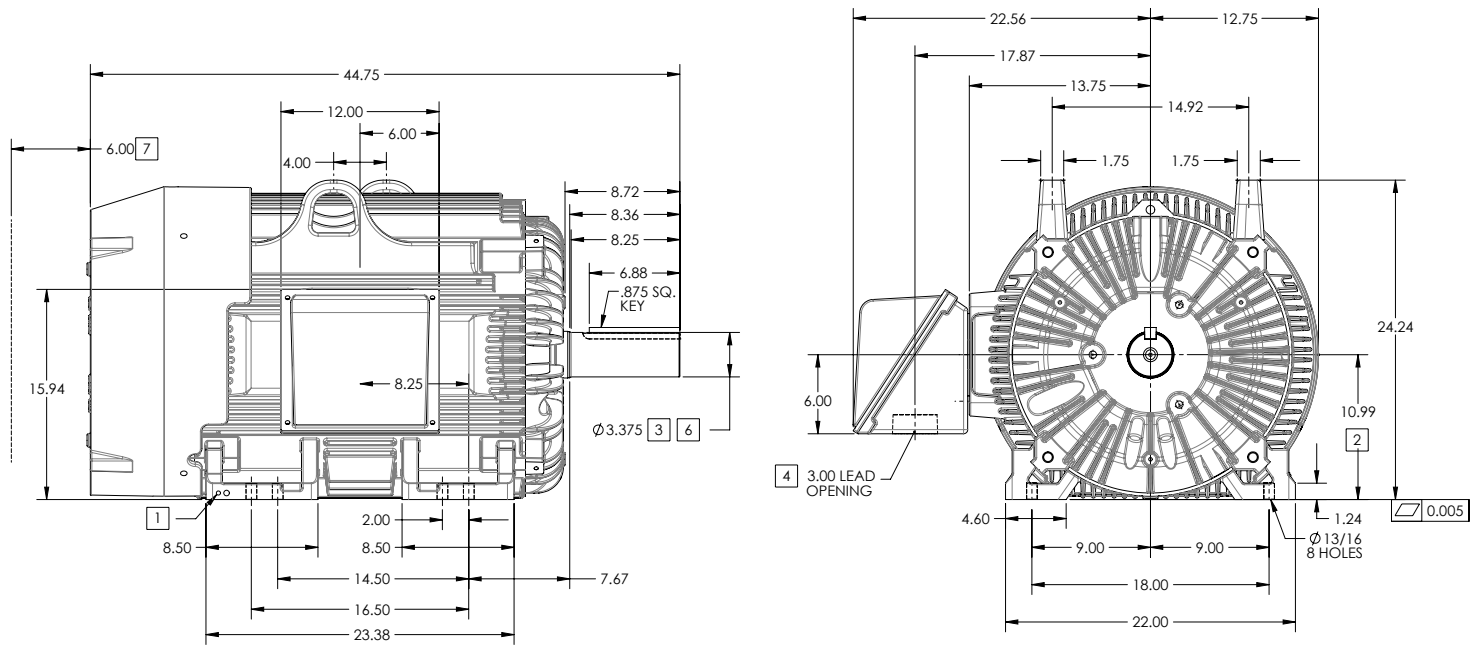
FRAME G445T ABOVE NEMA RATINGS

COOLING: FAN COOLED

MOUNTING: FOOT

INCLUDES 444T FRAME MOUNTING HOLES

841XL ENCLOSURE ENHANCEMENT



1. GROUND HOLES QTY 1 1/2-13 TAP; QTY 1 3/8-16 TAP
2. VARIES +.00,-.06
3. VARIES +.00,-.001
4. ON STANDARD MOTORS THIS IS CONDUIT SIZE. ON XT AND CORROSION PROOF MOTOR THIS IS PIPE TAP.
5. MOTOR WEIGHTS MAY VARY BY 15% DEPENDING ON RATING.
6. SHAFT TIR = 0.0015 IN FOR BALL BEARING MOTORS AND 0.002 IN FOR ROLLER BEARING CONSTRUCTION
7. OBSTRUCTION MUST NO ENCROACH ON AIR INLET

[5] WEIGHT (LBS): 2130

DRIVE END AIR DEFLECTOR IS ONLY INCLUDED WHEN NECESSARY.

DIMENSIONS ARE IN INCHES; SEE SHEET 2 FOR DIMENSIONS IN MILLIMETERS

CUSTOMER IS RESPONSIBLE FOR DETERMINING THAT MOTOR PERFORMANCE IS SUITABLE IN THE APPLICATION.

SHEET NUMBER
1 OF 2

CONDUIT BOX LOCATED ON OPPOSITE SIDE WHEN F-2.
IF MOUNTING CLEARANCE DETAILS ARE REQUIRED, CONSULT FACTORY.
MAXIMUM PERMISSIBLE SHAFT RUNOUT WHEN MEASURED AT END OF
STANDARD SHAFT EXTENSION IS .003" T.I.R. TO 5 INCH DIA.

| | | | |
|--|-------------|------------------------------|------------------|
| REV. DESC: CHANGE C/BOX TO 076863-000C | | | |
| REV: D | VERSION: 04 | REVISED: 10-17-59 09/25/2015 | TDR: 00000945832 |
| MODEL NO. 617427-061 | | REF: | |
| BY: RAGSSI | Material: | C | |

BALDOR

G445T-444T STD - FOOTED - SIDE-CENTER CB - 841XL

617427-061

617427-061

DUTY MASTER ALTERNATING CURRENT MOTORS

SQUIRREL-CAGE INDUCTION

ENCLOSURE: TOTALLY ENCLOSED

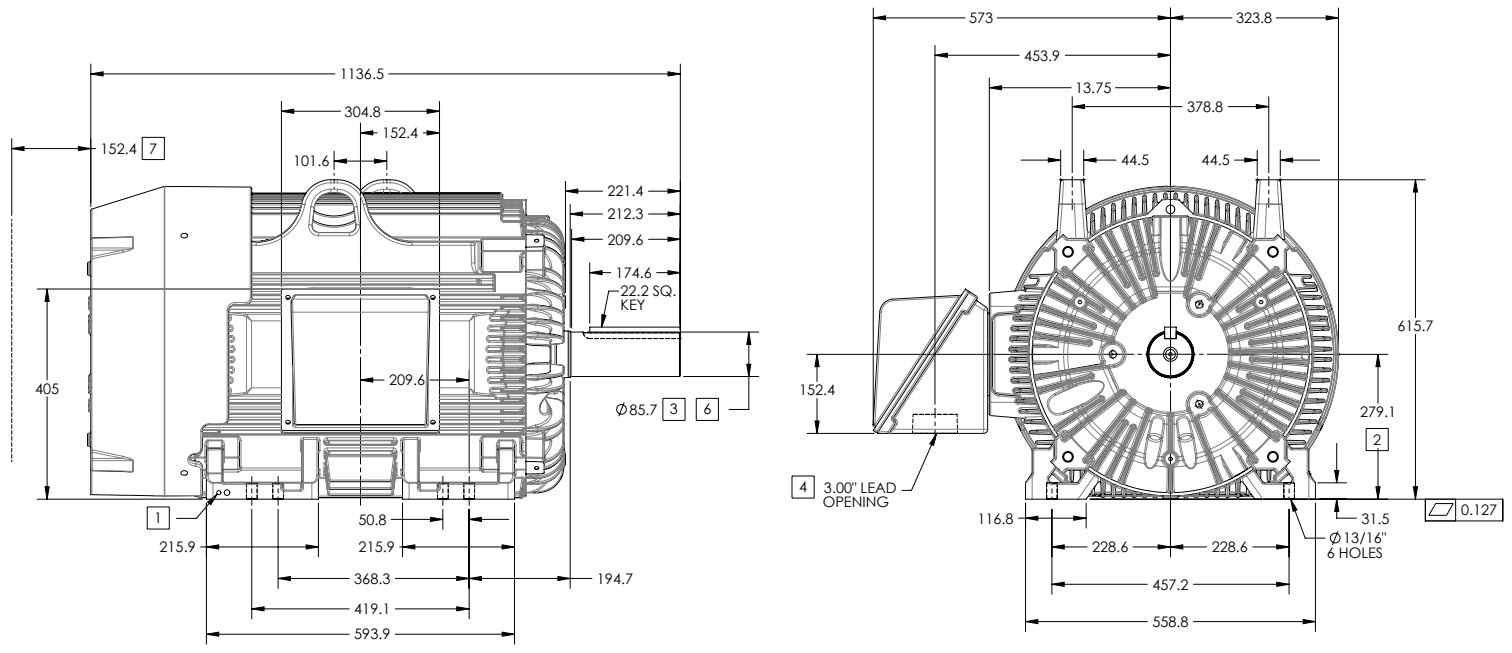
FRAME G445T ABOVE NEMA RATINGS

COOLING: FAN COOLED

MOUNTING: FOOT

INCLUDES 444T FRAME MOUNTING HOLES

841XL ENCLOSURE ENHANCEMENT



1. GROUND HOLES QTY 1 1/2-13 TAP; QTY 1 3/8-16 TAP
2. VARIES +.00,-.152MM
3. VARIES +.000,-.025MM
4. ON STANDARD MOTORS THIS IS CONDUIT SIZE. ON XT AND CORROSION PROOF MOTOR THIS IS PIPE TAP.
5. MOTOR WEIGHTS MAY VARY BY 15% DEPENDING ON RATING.
6. SHAFT TIR = 0.038MM FOR BALL BEARING MOTORS AND 0.051MM FOR ROLLER BEARING CONSTRUCTION
7. OBSTRUCTION MUST NO ENCROACH ON AIR INLET

[5] WEIGHT (KGS): 970

DRIVE END AIR DEFLECTOR IS ONLY INCLUDED WHEN NECESSARY.

DIMENSIONS ARE IN MILLIMETERS; SEE SHEET 1 FOR DIMENSIONS IN INCHES

CUSTOMER IS RESPONSIBLE FOR DETERMINING THAT MOTOR PERFORMANCE IS SUITABLE IN THE APPLICATION.

SHEET NUMBER
2 OF 2

CONDUIT BOX LOCATED ON OPPOSITE SIDE WHEN F-2.
IF MOUNTING CLEARANCE DETAILS ARE REQUIRED, CONSULT FACTORY.
MAXIMUM PERMISSIBLE SHAFT RUNOUT WHEN MEASURED AT END OF
STANDARD SHAFT EXTENSION IS .08 MM T.I.R. TO 127 MM DIA.

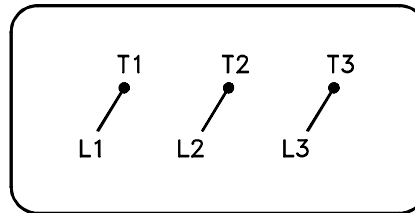
| | | | |
|--|-------------|------------------------------|------------------|
| REV. DESC: CHANGE C/BOX TO 076863-000C | | | |
| REV: D | VERSION: 04 | REVISED: 10-17-59 09/25/2015 | TDR: 00000945832 |
| MODEL NO. 617427-061 | | | REF: |
| BY: RAGSSI | Material: | | |

BALDOR
G445T-444T STD - FOOTED - SIDE-CENTER CB - 841XL

617427-061

416820-036

A-C MOTOR
 CONNECTION DIAGRAM
 STANDARD 3 LEAD CONNECTED



(N.P. 1575-BA)

416820-036

| | | |
|--------------------------------------|------------------------------|-------------------|
| REV. DESC: LOADED TO BUS, C/R 335225 | | |
| REV. LTR: - | VERSION: 00 | TDR: 000000538207 |
| FILE: \MGA\00000\682 | REVISED: 11:54:06 04/30/2010 | |
| MTL: - | BY: RAGRA | |

BALDOR

CONN DIAG - STANDARD 3 LEAD

SH 1 of 1

Marketing maintained PDF of MN408:

<http://www.baldor.com/support/Literature/Load.ashx/MN408?ManNumber=MN408>

Marketing maintained PDF of MN416:

<http://www.baldor.com/support/Literature/Load.ashx/MN416?ManNumber=MN416>