

BALDOR® • RELIANCE 

Product Information Packet

ECP84409T-5

100HP, 1188RPM, 3PH, 60HZ, 444T, A44062M, TEFC

| Part Detail | | | | | | | |
|-------------|----|-------------|------------|-------------|------------|---------------|------------|
| Revision: | N | Status: | PRD/A | Change #: | | Proprietary: | No |
| Type: | AC | Elec. Spec: | A44WG0585 | CD Diagram: | 416820-036 | Mfg Plant: | |
| Mech. Spec: | | Layout: | 617427-061 | Poles: | 06 | Created Date: | 08-17-2012 |
| Base: | | Eff. Date: | 05-31-2018 | Leads: | 3#2 | | |

| Specs | | | |
|--------------------------------|-------------------------|--------------------------------|-----------------------|
| Catalog Number: | ECP84409T-5 | Feedback Device: | NO FEEDBACK |
| Enclosure: | TEFC | Heater Indicator: | No Heater |
| Frame: | 444T | Insulation Class: | F |
| Frame Material: | Iron | Inverter Code: | Inverter Ready |
| Output @ Frequency: | 100.000 HP @ 60 HZ | KVA Code: | G |
| Synchronous Speed @ Frequency: | 1200 RPM @ 60 HZ | Lifting Lugs: | Standard Lifting Lugs |
| Voltage @ Frequency: | 575.0 V @ 60 HZ | Motor Lead Quantity/Wire Size: | 3 @ 2 AWG |
| XP Class and Group: | CLI GP A,B,C,D | Motor Type: | A44062M |
| XP Division: | Division II | Mounting Arrangement: | F1 |
| Agency Approvals: | UR | Power Factor: | 86 |
| | CSA EEV | Pulley End Bearing Type: | Ball |
| | CCSA US | Pulley Face Code: | Standard |
| Auxillary Box: | No Auxillary Box | Shaft Ground Indicator: | No Shaft Grounding |
| Base Indicator: | Rigid | Shaft Rotation: | Reversible |
| Bearing Grease Type: | Polyrex EM (-20F +300F) | Shaft Slinger Indicator: | No Slinger |
| Constant Torque Speed Range: | 15-60 | Speed Code: | Single Speed |
| Current @ Voltage: | 92.000 A @ 575.0 V | Motor Standards: | None |
| Design Code: | B | Starting Method: | Direct on line |

| | | | |
|---------------------|---------------|----------------------------------|------------|
| Drip Cover: | No Drip Cover | Thermal Device - Bearing: | NONE (OLD) |
| Duty Rating: | CONT | Thermal Device - Winding: | None |
| | | XP Temp Code: | T3 |

| Nameplate NP3237 | | | | | | | | | |
|--------------------|-------------|-----------------|----------|-----------------------|------|--------|------|------|------|
| CAT NO | ECP84409T-5 | | SPEC NO. | P44G3959 | | DESIGN | B | | |
| HP | 100 | AMPS | 92 | VOLTS | 575 | SF | 1.15 | DUTY | CONT |
| FRAME SIZE | 444T | RPM | 1188 | HZ | 60 | AMB | 40 | PH | 3 |
| D.E. BRG.DATA | 6318 | O.D.E. BRG.DATA | 6318 | TYPE | P | ENCL | TEFC | CODE | G |
| D.E. BRG. | 90BC03J30X | POWER FACTOR | 86 | INSUL.CLASS | F | | | | |
| O.D.E. BRG. | 90BC03J30X | MAX CORR KVAR | 21 | NEMA-NOM-EFFICIENCY | 95 | | | | |
| 3/4 LOAD EFF. | 95.2 | IP | 56 | GUARANTEED EFFICIENCY | 94.1 | | | | |
| TEMP CODE | T3 | TEMP = | 200 | VT HZ | 0-60 | | | | |
| CHP HZ | 60-90 | CT HZ | 15-60 | MOTOR WEIGHT | | | | | |
| INVERTER-TEMP-CODE | T3 | | | | | | | | |
| SER.NO. | | | | | | | | | |

Nameplate 000613007EX

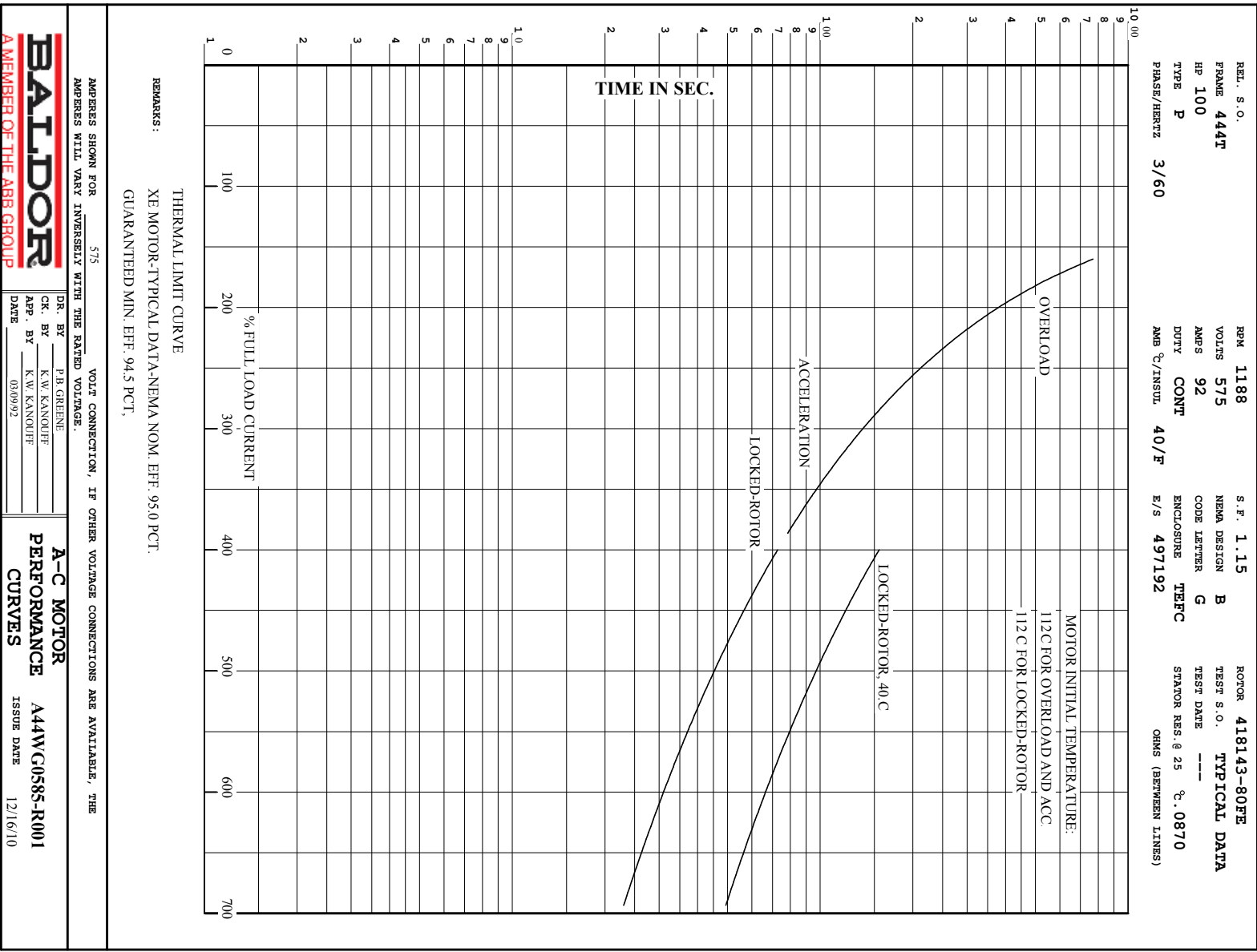
| | | | |
|-----------------|-------------|--------------------------|------------|
| CAT NO | ECP84409T-5 | SPEC NO. | P44G3959 |
| NO. ROTOR BARS | 71 | GREASE TYPE | POLYREX EM |
| NO. SLOTS | 90 | NL AMPS AT RATED VOLTAGE | 27.9 |
| 5 YEAR WARRANTY | | WINDING RES @25 C | 0.0870 |
| MFG. DATE | | SER.NO | |
| | | | OHMS |
| | | | |
| | | | |

| Parts List | | |
|-------------|--|----------|
| Part Number | Description | Quantity |
| SA249729 | SA P44G3959 | 1.000 EA |
| RA236589 | RA P44G3959 | 1.000 EA |
| 000613006PU | N/P (RELEASE QTY 10,000) UL CSA LABEL | 1.000 EA |
| NP3237 | SS SUPER E INVERTER DUTY IEEE 841 | 1.000 EA |
| 000613007EX | SS IEEE 841 EMBOSSED AUXILIARY NAMEPLATE | 1.000 EA |
| 000692000FF | N/P | 1.000 EA |
| 000692000JP | N/P | 1.000 EA |
| 000692000VD | LABEL WARNING | 1.000 EA |
| 000692000VH | N/P (RELEASE 1000 PCS) | 1.000 EA |
| 421948051 | LABEL, MYLAR | 1.000 EA |
| 004824015A | GREASE POLYREX EM | 1.160 LB |
| 032018008CK | HHCS 3/8-16X1L PLATED | 4.000 EA |
| 032018020FK | HHCS 3/4-10X2-1/2 PLTD. | 4.000 EA |
| 032018030DK | HHCS 1/2-13X3-3/4 PLTD. | 3.000 EA |
| 032620016LA | SOCKET SET SCREW-449 | 3.000 EA |
| 034017014AB | LCKW 3/8 STD. PLATED | 4.000 EA |
| 034180014DA | KEY 1/4X1/4X1-3/4 L | 1.000 EA |
| 034530072AB | P/NIP 1/8X9"L Threaded both ends | 1.000 EA |
| 034530072BB | PIPE NIPPLE,DE - 440-BS | 1.000 EA |
| 034600001AA | BUSH 1/4TO1/8 BLACK | 1.000 EA |
| 034630002AB | CPLG 1/4" PLATED | 1.000 EA |
| 034690005AB | PPLG 3/4 PLATED | 2.000 EA |
| 035000001G | GREASE RELIEF FITTING, ALEMITE 317400 | 1.000 EA |
| 089490099D | G28 BRKT 089490098WCA | 1.000 EA |

| Parts List (continued) | | |
|------------------------|---------------------------------------|----------|
| Part Number | Description | Quantity |
| 078549001DA | FAN 400 078549001F | 1.000 EA |
| 083199082RA | G28 SHORT FAN COVER W/BAFFLE ASSEMBLY | 1.000 EA |
| 089490099D | G28 BRKT 089490098WCA | 1.000 EA |
| 410700004A | WSHR | 1.000 EA |
| 415028021L | SEAL - 449 | 1.000 EA |
| 415072001B | CLAMP | 1.000 EA |
| 415096002A | CPLG 1/8 HEX TYPE | 1.000 EA |
| 423709011D | WASHER | 3.000 EA |
| 032018004BK | HHCS 5/16-18X1/2 PLATED | 3.000 EA |
| 032018020FK | HHCS 3/4-10X2-1/2 PLTD. | 4.000 EA |
| 032018036DK | HHCS 1/2-13X4-1/2 PLTD. | 3.000 EA |
| 034017013AB | LCKW 5/16 STD. PLATED | 3.000 EA |
| 415915007G | GASK, LAC | 1.000 FT |
| 034530044AB | P/NIP 1/8X5-1/2L GALV. | 1.000 EA |
| 034530044BB | P/NIP 1/4X5-1/2L PLT | 1.000 EA |
| 034600001AA | BUSH 1/4TO1/8 BLACK | 1.000 EA |
| 034630002AB | CPLG 1/4" PLATED | 1.000 EA |
| 035000001G | GREASE RELIEF FITTING, ALEMITE 317400 | 1.000 EA |
| 415028021L | SEAL - 449 | 1.000 EA |
| 415096002A | CPLG 1/8 HEX TYPE | 1.000 EA |
| 418151014G | RETAIN RING | 1.000 EA |
| 423709011D | WASHER | 3.000 EA |
| 702623013A | THERMAL BARRIER -- G28 -- BRACKET MTD | 1.000 EA |
| 032018008BK | HHCS 5/16-18X1L PLATED | 4.000 EA |

Product Information Packet: ECP84409T-5 - 100HP,1188RPM,3PH,60HZ,444T,A44062M,TEFC

| | | |
|-------------|--|----------|
| 032018008DK | HHCS 1/2-13X1 PLATED | 4.000 EA |
| 033512006LB | HHTTS 1/4-20X3/4 PLTD. | 1.000 EA |
| 035000001A | ALFTG 1/8" 1610-BL | 1.000 EA |
| 035000001A | ALFTG 1/8" 1610-BL | 1.000 EA |
| 067053001C | GASK 440 | 1.000 EA |
| 076863000C | +CBCST BLKT - 440 | 1.000 EA |
| 076864000A | CBCST BLKT - 440 | 1.000 EA |
| 406056007A | GASKET, 440 | 1.000 EA |
| 406099000A | PLUG - FAN COVER 320-440 | 1.000 EA |
| 415000103D | T/LUG #4AWG-1/0AWG W/HOLE FOR .250 BOLT | 1.000 EA |
| 418150003A | GREASE FITTING CAP | 1.000 EA |
| 418150003A | GREASE FITTING CAP | 1.000 EA |
| MG1025N19 | WILKO 778.50 BLUE GREEN - 55 GAL DRUMS | 0.250 GA |
| 033775004EA | DRSCR #6-1/4 304 S.S. | 2.000 EA |
| 034180054KA | 7/8 SQ X 6.75 KEY | 1.000 EA |
| MN416 | TAG-INSTAL-MAINT w/wire. (1200/bx) 10/14 | 1.000 EA |
| PK5004A09 | BASE 48 X 39-1/4 STACK 2 X 4 RUUNER | 1.000 EA |
| LB1449 | DIV-2/NEC WARNING LABEL | 1.000 EA |
| 412118006A | DRAIN | 2.000 EA |



| | | | | | | |
|-----------|-------------|-------------------|-----------|--|-------------|-------|
| REL. S.O. | FRAME | HP | TYPE | PHASE/HERTZ | RPM | VOLTS |
| | 444T | 100 | P | 3/60 | 1188 | 575 |
| AMPS | DUTY | AMB °C/ INSUL. | S.F. | NEMA DESIGN | CODE LETTER | ENCL. |
| 92 | CONT | 40/F | 1.15 | B | G | TEFC |
| E/S | ROTOR | TEST S.O. | TEST DATE | STATOR RES. @25 °C (OHMS BETWEEN LINES) | | |
| 497192 | 418143-80FE | --- | --- | .0870 | | |

PERFORMANCE

| LOAD | HP | AMPERES | RPM | POWER FACTOR % | EFFICIENCY % |
|---------|------|---------|------|----------------|--------------|
| NO LOAD | 0 | 27.9 | 1200 | 5.43 | 0 |
| 1/4 | 25.0 | 35.8 | 1197 | 57.1 | 91.9 |
| 2/4 | 49.9 | 51.1 | 1194 | 77.3 | 94.7 |
| 3/4 | 74.9 | 70.4 | 1191 | 83.7 | 95.2 |
| 4/4 | 100 | 92.0 | 1188 | 85.6 | 95.1 |
| 5/4 | 125 | 115 | 1185 | 86.2 | 94.6 |

SPEED TORQUE

| | RPM | TORQUE % FULL LOAD | TORQUE LB.-FT. | AMPERES |
|--------------|------|--------------------|----------------|---------|
| LOCKED ROTOR | 0 | 160 | 705 | 580 |
| PULL UP | 240 | 140 | 620 | 560 |
| BREAKDOWN | 1139 | 249 | 1100 | 330 |
| FULL LOAD | 1188 | 100 | 442 | 92.0 |

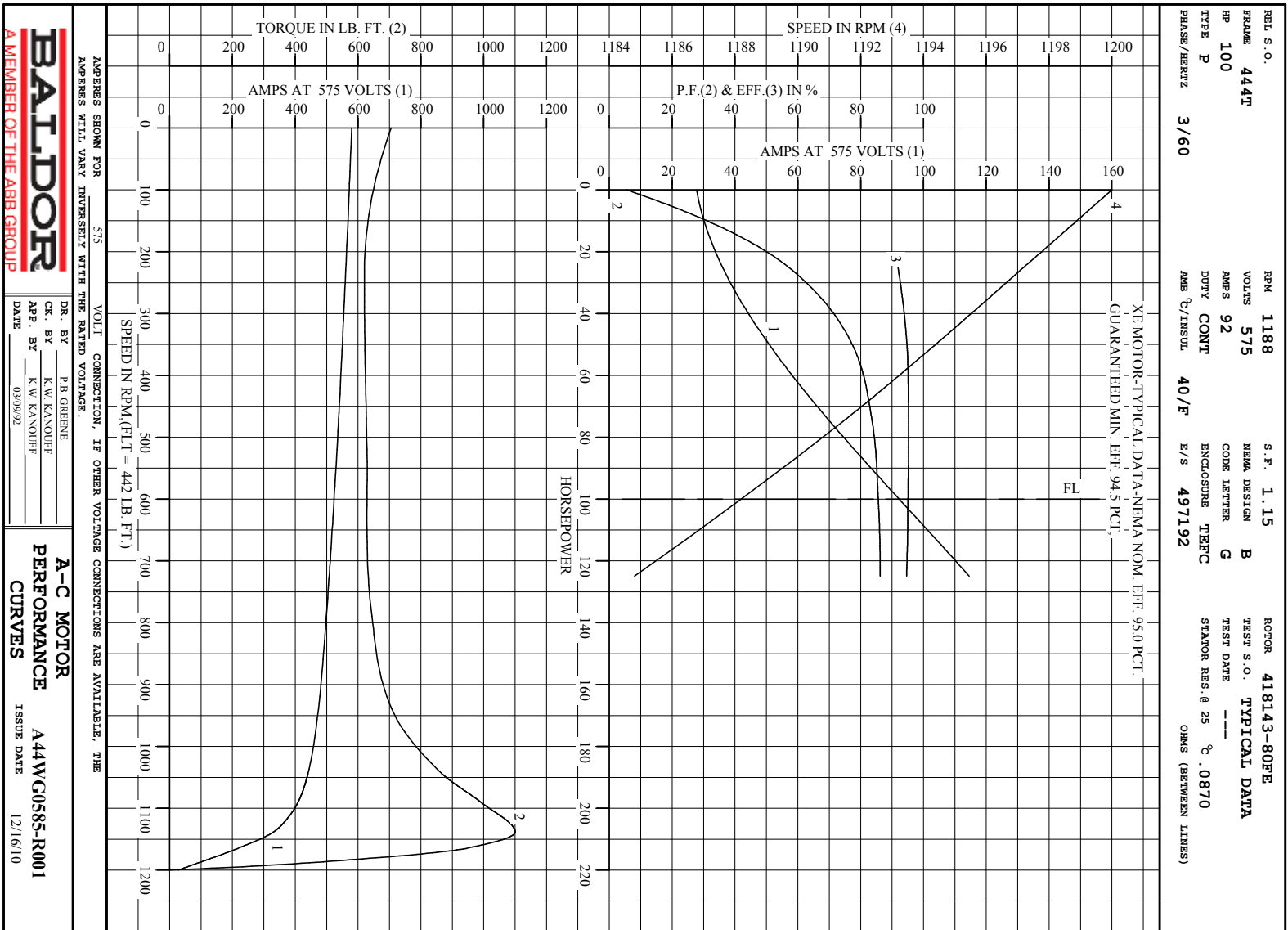
AMPERES SHOWN FOR 575. VOLT CONNECTION. IF OTHER VOLTAGE CONNECTIONS ARE AVAILABLE, THE AMPERES WILL VARY INVERSELY WITH THE RATED VOLTAGE

REMARKS: TYPICAL DATA
 XE MOTOR-TYPICAL DATA-NEMA NOM. EFF. 95.0 PCT.
 GUARANTEED MIN. EFF. 94.5 PCT,



DR. BY P.B. GREENE
 CK. BY K.W. KANDUFE
 APP. BY K.W. KANDUFE
 DATE 03/09/92

A-C MOTOR PERFORMANCE DATA
 A44WG0585-R001
 ISSUE DATE 12/16/10



Printed on 11/11/15 14:09 @ bengap01.baldor.com

DUTY MASTER ALTERNATING CURRENT MOTORS

SQUIRREL-CAGE INDUCTION

ENCLOSURE: TOTALLY ENCLOSED

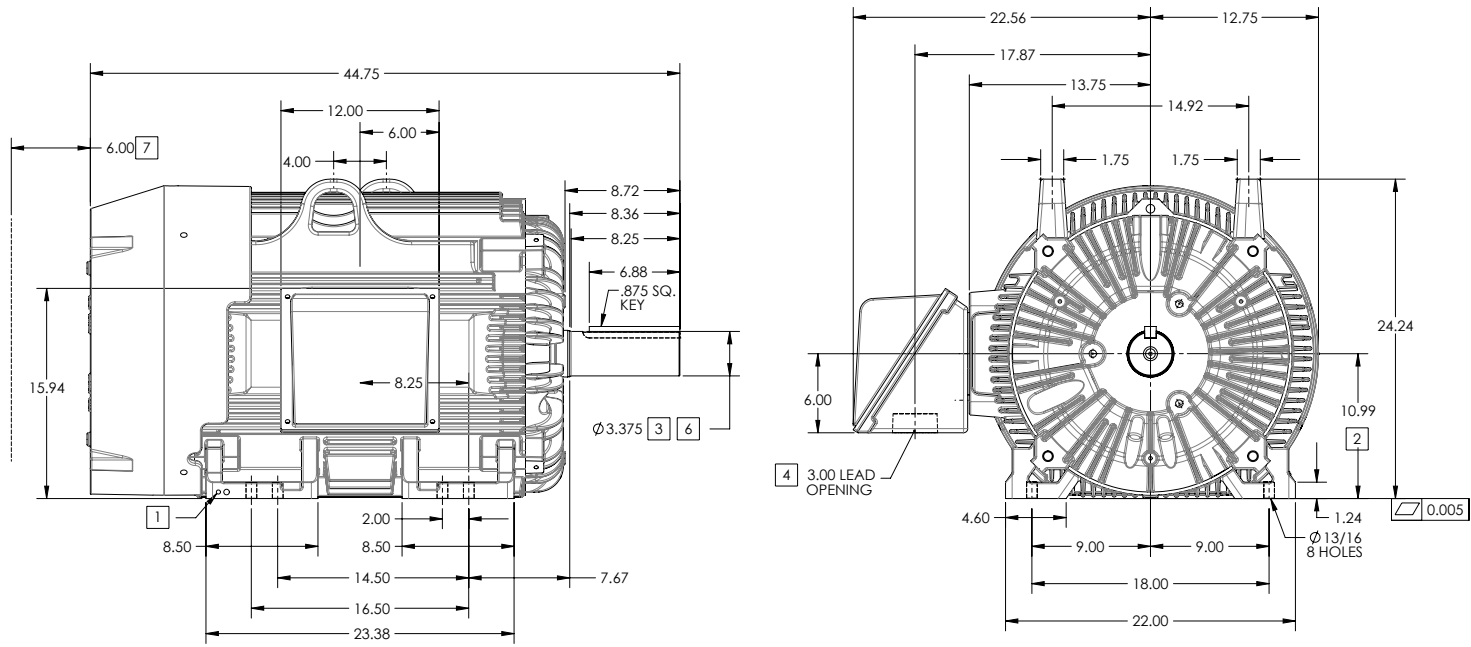
FRAME G445T ABOVE NEMA RATINGS

COOLING: FAN COOLED

MOUNTING: FOOT

INCLUDES 444T FRAME MOUNTING HOLES

841XL ENCLOSURE ENHANCEMENT



1. GROUND HOLES QTY 1 1/2-13 TAP; QTY 1 3/8-16 TAP
2. VARIES +.00,-.06
3. VARIES +.00,-.001
4. ON STANDARD MOTORS THIS IS CONDUIT SIZE. ON XT AND CORROSION PROOF MOTOR THIS IS PIPE TAP.
5. MOTOR WEIGHTS MAY VARY BY 15% DEPENDING ON RATING.
6. SHAFT TIR = 0.0015 IN FOR BALL BEARING MOTORS AND 0.002 IN FOR ROLLER BEARING CONSTRUCTION
7. OBSTRUCTION MUST NO ENCROACH ON AIR INLET

[5] WEIGHT (LBS): 2130

DRIVE END AIR DEFLECTOR IS ONLY INCLUDED WHEN NECESSARY.

DIMENSIONS ARE IN INCHES; SEE SHEET 2 FOR DIMENSIONS IN MILLIMETERS

CUSTOMER IS RESPONSIBLE FOR DETERMINING THAT MOTOR PERFORMANCE IS SUITABLE IN THE APPLICATION.

SHEET NUMBER
1 OF 2

CONDUIT BOX LOCATED ON OPPOSITE SIDE WHEN F-2.
IF MOUNTING CLEARANCE DETAILS ARE REQUIRED, CONSULT FACTORY.
MAXIMUM PERMISSIBLE SHAFT RUNOUT WHEN MEASURED AT END OF STANDARD SHAFT EXTENSION IS .003" T.I.R. TO 5 INCH DIA.

| | | | |
|--|-------------|------------------------------|------------------|
| REV. DESC: CHANGE C/BOX TO 076863-000C | | | |
| REV: D | VERSION: 04 | REVISED: 10-17-59 09/25/2015 | TDR: 00000945832 |
| MODEL NO. 617427-061 | | | REF: |
| BY: RAGSSI | Material: | | |

BALDOR

G445T-444T STD - FOOTED - SIDE-CENTER CB - 841XL

DUTY MASTER ALTERNATING CURRENT MOTORS

SQUIRREL-CAGE INDUCTION

ENCLOSURE: TOTALLY ENCLOSED

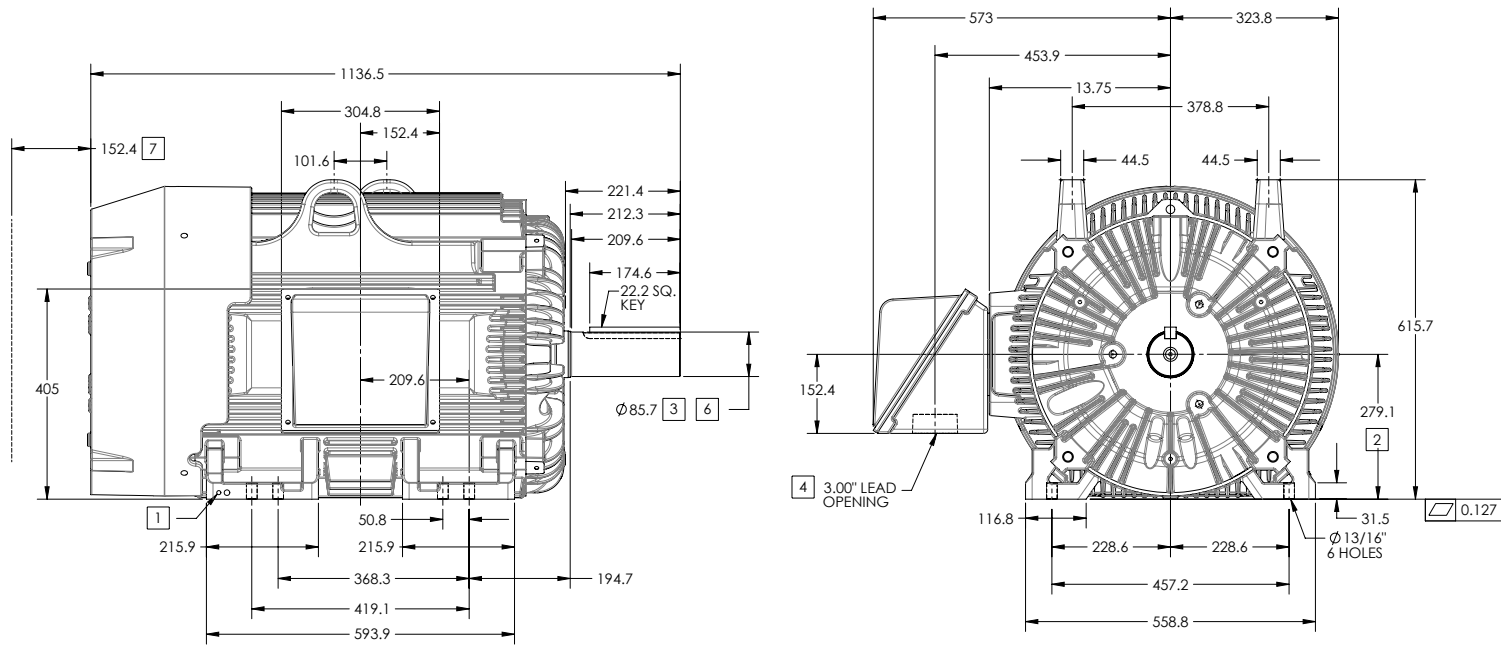
FRAME G445T ABOVE NEMA RATINGS

COOLING: FAN COOLED

MOUNTING: FOOT

INCLUDES 444T FRAME MOUNTING HOLES

841XL ENCLOSURE ENHANCEMENT



1. GROUND HOLES QTY 1 1/2-13 TAP; QTY 1 3/8-16 TAP
2. VARIES +.00,-.152MM
3. VARIES +.000,-.025MM
4. ON STANDARD MOTORS THIS IS CONDUIT SIZE. ON XT AND CORROSION PROOF MOTOR THIS IS PIPE TAP.
5. MOTOR WEIGHTS MAY VARY BY 15% DEPENDING ON RATING.
6. SHAFT TIR = 0.038MM FOR BALL BEARING MOTORS AND 0.051MM FOR ROLLER BEARING CONSTRUCTION
7. OBSTRUCTION MUST NO ENCROACH ON AIR INLET

[5] WEIGHT (KGS): 970

DRIVE END AIR DEFLECTOR IS ONLY INCLUDED WHEN NECESSARY.

DIMENSIONS ARE IN MILLIMETERS; SEE SHEET 1 FOR DIMENSIONS IN INCHES

CUSTOMER IS RESPONSIBLE FOR DETERMINING THAT MOTOR PERFORMANCE IS SUITABLE IN THE APPLICATION.

CONDUIT BOX LOCATED ON OPPOSITE SIDE WHEN F-2.
IF MOUNTING CLEARANCE DETAILS ARE REQUIRED, CONSULT FACTORY.
MAXIMUM PERMISSIBLE SHAFT RUNOUT WHEN MEASURED AT END OF
STANDARD SHAFT EXTENSION IS .08 MM T.I.R. TO 127 MM DIA.

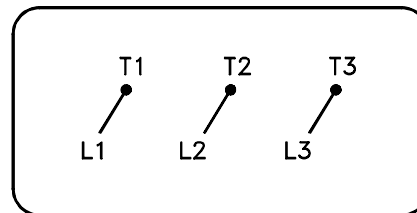
SHEET NUMBER
2 OF 2
190727-061

| | | | |
|--|-------------|------------------------------|------------------|
| REV. DESC: CHANGE C/BOX TO 076863-000C | | | |
| REV: D | VERSION: 04 | REVISED: 10-17-59 09/25/2015 | TDR: 00000945832 |
| MODEL NO. 617427-061 | | | REF: |
| BY: RAGSSI | Material: | | |

BALDOR
G445T-444T STD - FOOTED - SIDE/CENTER CB - 841XL

416820-036

A-C MOTOR
 CONNECTION DIAGRAM
 STANDARD 3 LEAD CONNECTED



(N.P. 1575-BA)

416820-036

| | | |
|--------------------------------------|------------------------------|-------------------|
| REV. DESC: LOADED TO BUS, C/R 335225 | | |
| REV. LTR: - | VERSION: 00 | TDR: 000000538207 |
| FILE: \MGA\00000\682 | REVISED: 11:54:06 04/30/2010 | |
| MTL: - | BY: RAGRA | |

BALDOR

CONN DIAG - STANDARD 3 LEAD

SH 1 of 1

Marketing maintained PDF of MN408:

<http://www.baldor.com/support/Literature/Load.ashx/MN408?ManNumber=MN408>

Marketing maintained PDF of MN416:

<http://www.baldor.com/support/Literature/Load.ashx/MN416?ManNumber=MN416>