

BALDOR® • RELIANCE 

Product Information Packet

ECP84412T-4

125HP,3570RPM,3PH,60HZ,444TS,A4468M,TEFC

Part Detail							
Revision:	S	Status:	PRD/A	Change #:		Proprietary:	No
Type:	AC	Elec. Spec:	A44WG3534	CD Diagram:	416820-036	Mfg Plant:	
Mech. Spec:		Layout:	617427-213	Poles:	02	Created Date:	08-17-2012
Base:		Eff. Date:	01-30-2018	Leads:	3#2 (02 per group)		

Specs			
Catalog Number:	ECP84412T-4	Feedback Device:	NO FEEDBACK
Enclosure:	TEFC	Heater Indicator:	No Heater
Frame:	444TS	Insulation Class:	F
Frame Material:	Iron	Inverter Code:	Inverter Ready
Output @ Frequency:	125.000 HP @ 60 HZ	KVA Code:	F
Synchronous Speed @ Frequency:	3600 RPM @ 60 HZ	Lifting Lugs:	Standard Lifting Lugs
Voltage @ Frequency:	460.0 V @ 60 HZ	Motor Lead Quantity/Wire Size:	6 @ 2 AWG
XP Class and Group:	CLI GP A,B,C,D	Motor Type:	A4468M
XP Division:	Division II	Mounting Arrangement:	F1
Agency Approvals:	UR	Power Factor:	89
	CSA EEV	Pulley End Bearing Type:	Ball
	CCSA US	Pulley Face Code:	Standard
Auxillary Box:	No Auxillary Box	Shaft Ground Indicator:	No Shaft Grounding
Base Indicator:	Rigid	Shaft Rotation:	Phase Seq-Std Rot (CCWODE)
Bearing Grease Type:	Polyrex EM (-20F +300F)	Shaft Slinger Indicator:	Shaft Slinger
Constant Torque Speed Range:	15-60	Speed Code:	Single Speed
Current @ Voltage:	137.000 A @ 460.0 V	Motor Standards:	None
Design Code:	B	Starting Method:	Direct on line

Drip Cover:	No Drip Cover	Thermal Device - Bearing:	NONE (OLD)
Duty Rating:	CONT	Thermal Device - Winding:	None
		XP Temp Code:	T3

Nameplate NP3237												
CAT NO	ECP84412T-4	SPEC NO.	P44G3960									
HP	125	AMPS	137	VOLTS	460							
FRAME SIZE	444TS	RPM	3570	HZ	60	AMB	40	SF	1.15	DESIGN	B	
D.E. BRG.DATA	6313	O.D.E. BRG.DATA	6313		PH	3		DUTY	CONT		INSUL.CLASS	F
D.E. BRG.	65BC03J30X		TYPE	P	ENCL	TEFC		CODE	F			
O.D.E. BRG.	65BC03J30X		POWER FACTOR	89		NEMA-NOM-EFFICIENCY	95					
3/4 LOAD EFF.	94.9	IP	56	MAX CORR KVAR	18.0							
TEMP CODE	T3	TEMP =	200		GUARANTEED EFFICIENCY	94.1						
CHP HZ	60-75	CT HZ	15-60		VT HZ	0-60						
INVERTER-TEMP-CODE	T3											
SER.NO.			MOTOR WEIGHT									

Nameplate 000613007EX

CAT NO	ECP84412T-4	SPEC NO.	P44G3960
NO. ROTOR BARS	40	GREASE TYPE	POLYREX EM
NO. SLOTS	48	NL AMPS AT RATED VOLTAGE	30.4
5 YEAR WARRANTY		WINDING RES @25 C	.03432
MFG. DATE		SER.NO	
			OHMS

Parts List		
Part Number	Description	Quantity
SA249730	SA P44G3960	1.000 EA
RA236590	RA P44G3960	1.000 EA
000613006PU	N/P (RELEASE QTY 10,000) UL CSA LABEL	1.000 EA
NP3237	SS SUPER E INVERTER DUTY IEEE 841	1.000 EA
000613007EX	SS IEEE 841 EMBOSSED AUXILIARY NAMEPLATE	1.000 EA
000692000FF	N/P	1.000 EA
000692000JP	N/P	1.000 EA
000692000VD	LABEL WARNING	1.000 EA
000692000VH	N/P (RELEASE 1000 PCS)	1.000 EA
421948051	LABEL, MYLAR	1.000 EA
004824015A	GREASE POLYREX EM	0.540 LB
032018008CK	HHCS 3/8-16X1L PLATED	4.000 EA
032018020FK	HHCS 3/4-10X2-1/2 PLTD.	4.000 EA
032018028CK	HHCS 3/8-16X3-1/2 PLTD.	3.000 EA
032620016LA	SOCKET SET SCREW-449	3.000 EA
034017014AB	LCKW 3/8 STD. PLATED	4.000 EA
034180014DA	KEY 1/4X1/4X1-3/4 L	1.000 EA
034530072AB	P/NIP 1/8X9"L Threaded both ends	1.000 EA
034530072BB	PIPE NIPPLE,DE - 440-BS	1.000 EA
034600001AA	BUSH 1/4TO1/8 BLACK	1.000 EA
034630002AB	CPLG 1/4" PLATED	1.000 EA
034690005AB	PPLG 3/4 PLATED	2.000 EA
035000001G	GREASE RELIEF FITTING, ALEMITE 317400	1.000 EA
089490097C	BRKT,DE	1.000 EA

Parts List (continued)		
Part Number	Description	Quantity
083199082RA	G28 SHORT FAN COVER W/BAFFLE ASSEMBLY	1.000 EA
089490097C	BRKT,DE	1.000 EA
410700004F	WSHR	1.000 EA
415028021E	SEAL	1.000 EA
415072001B	CLAMP	1.000 EA
415096002A	CPLG 1/8 HEX TYPE	1.000 EA
423709011C	WASHER	3.000 EA
078546004C	FAN 440 702675001D	1.000 EA
032018004BK	HHCS 5/16-18X1/2 PLATED	3.000 EA
032018006BK	HHCS 5/16-18X3/4 PLATED	3.000 EA
032018020FK	HHCS 3/4-10X2-1/2 PLTD.	4.000 EA
032018028CK	HHCS 3/8-16X3-1/2 PLTD.	3.000 EA
415915007K	GASK, 26" LAC	1.000 EA
034017013AB	LCKW 5/16 STD. PLATED	3.000 EA
034530056AB	1/8 X 7 PP NIPPLE	1.000 EA
034530056BB	P/NIP 1/4X7 SCHED 40	1.000 EA
034600001AA	BUSH 1/4TO1/8 BLACK	1.000 EA
034630002AB	CPLG 1/4" PLATED	1.000 EA
035000001G	GREASE RELIEF FITTING, ALEMITE 317400	1.000 EA
415028021E	SEAL	1.000 EA
415096002A	CPLG 1/8 HEX TYPE	1.000 EA
423709011C	WASHER	3.000 EA
702623012A	THERMAL BARRIER, G28	1.000 EA
032018008BK	HHCS 5/16-18X1L PLATED	4.000 EA

Product Information Packet: ECP84412T-4 - 125HP,3570RPM,3PH,60HZ,444TS,A4468M,TEFC

032018008DK	HHCS 1/2-13X1 PLATED	4.000 EA
033512006LB	HHTTS 1/4-20X3/4 PLTD.	1.000 EA
035000001A	ALFTG 1/8" 1610-BL	1.000 EA
035000001A	ALFTG 1/8" 1610-BL	1.000 EA
067053001C	GASK 440	1.000 EA
076863000D	C/BA 440 076863000C	1.000 EA
076864000A	CBCST BLKT - 440	1.000 EA
406056007A	GASKET, 440	1.000 EA
406099000A	PLUG - FAN COVER 320-440	1.000 EA
415000103D	T/LUG #4AWG-1/0AWG W/HOLE FOR .250 BOLT	1.000 EA
418150003A	GREASE FITTING CAP	1.000 EA
418150003A	GREASE FITTING CAP	1.000 EA
MG1025N19	WILKO 778.50 BLUE GREEN - 55 GAL DRUMS	0.250 GA
033775004EA	DRSCR #6-1/4 304 S.S.	2.000 EA
034180024HA	KEY 5/8X5/8X3 L	1.000 EA
MN416	TAG-INSTAL-MAINT w/wire. (1200/bx) 10/14	1.000 EA
PK5004A09	BASE 48 X 39-1/4 STACK 2 X 4 RUUNER	1.000 EA
LB1449	DIV-2/NEC WARNING LABEL	1.000 EA
412118006A	DRAIN	2.000 EA

REL. S.O.	FRAME	HP	TYPE	PHASE/HERTZ	RPM	VOLTS
	444TS	125	P	3/60	3570	460
AMPS	DUTY	AMB °C/ INSUL.	S.F.	NEMA DESIGN	CODE LETTER	ENCL.
137	CONT	40/F	1.15	B	F	TEFC
E/S	ROTOR	TEST S.O.	TEST DATE	STATOR RES. @25 °C (OHMS BETWEEN LINES)		
-	418143-8-RE	---	---	.0343		

PERFORMANCE

LOAD	HP	AMPERES	RPM	POWER FACTOR	% EFFICIENCY
NO LOAD	0	30.4	3600	7.45	0
1/4	31.3	51.0	3593	62.3	92.1
2/4	62.5	76.5	3585	80.7	94.9
3/4	93.8	106	3578	87.1	95.5
4/4	125	137	3570	89.3	95.4
5/4	156	171	3562	89.9	95.0

SPEED TORQUE

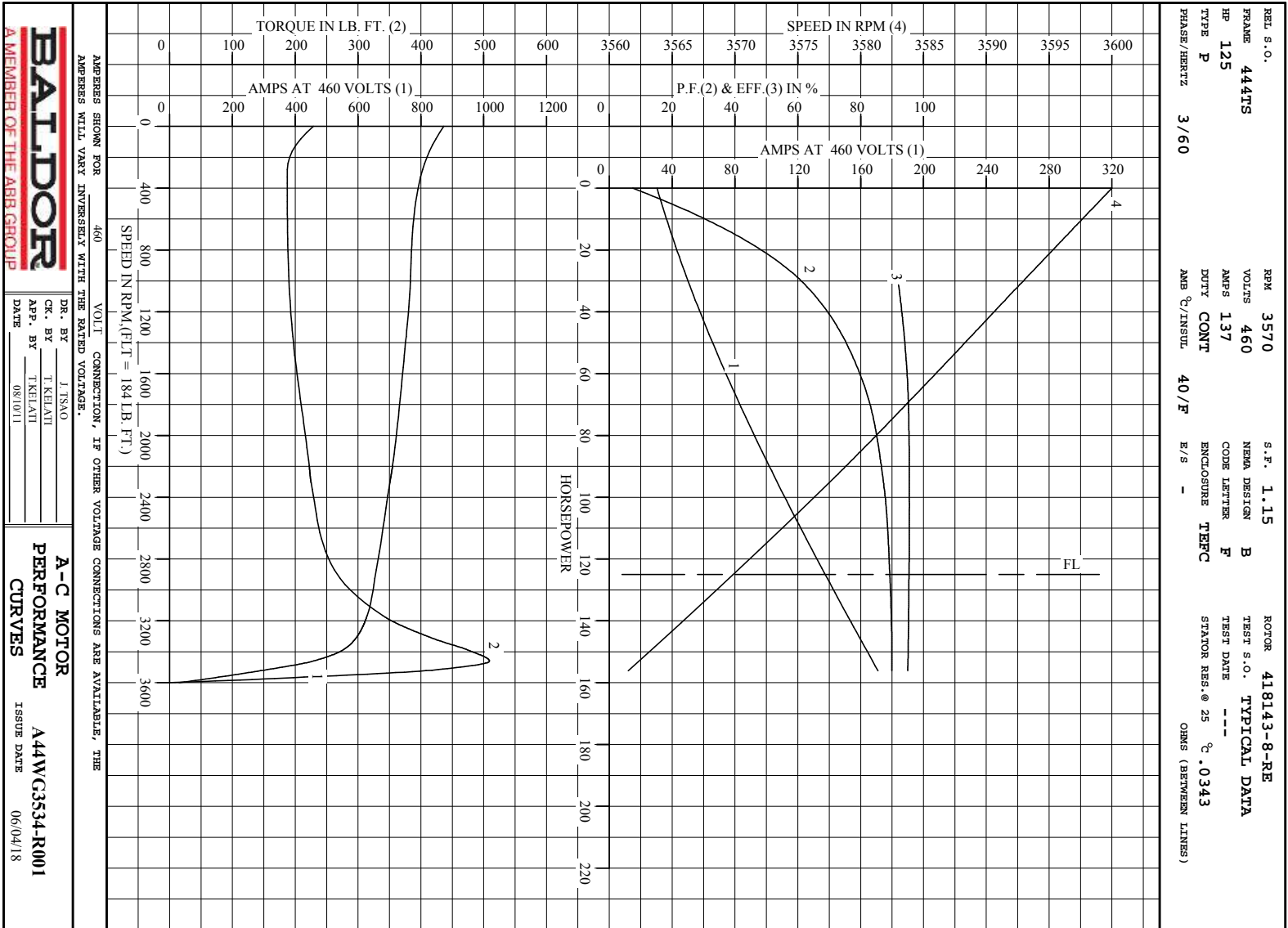
	RPM	TORQUE % FULL LOAD	TORQUE LB.-FT.	AMPERES
LOCKED ROTOR	0	125	229	873
PULL UP	288	102	187	804
BREAKDOWN	3461	277	509	456
FULL LOAD	3570	100	184	137

AMPERES SHOWN FOR 460. VOLT CONNECTION. IF OTHER VOLTAGE CONNECTIONS ARE AVAILABLE, THE AMPERES WILL VARY INVERSELY WITH THE RATED VOLTAGE
 REMARKS : TYPICAL DATA



DR. BY J. TSAO
 CK. BY T. KEARAT
 APP. BY T. KEARAT
 DATE 08/10/11

A-C MOTOR
PERFORMANCE DATA
A44WG3534-R001
 ISSUE DATE 06/04/18

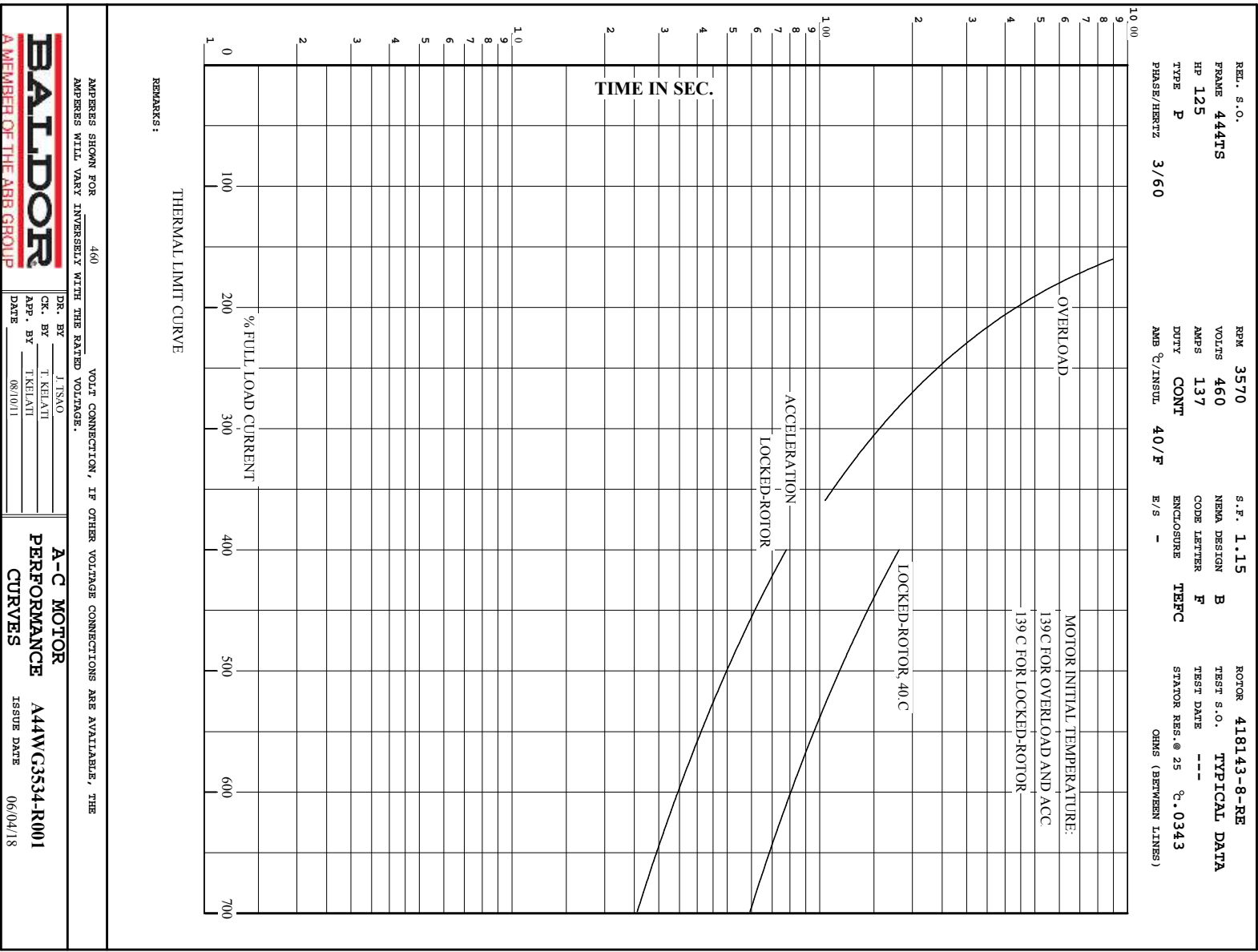


BALDOR
A MEMBER OF THE ABB GROUP

DR. BY J. TSOO
CK. BY T. KEHATI
APP. BY T. KEHATI
DATE 08/10/11

A-C MOTOR
PERFORMANCE A44WC3534-R001
CURVES ISSUE DATE 06/04/18

Printed on 6/4/18 6:19 @ bengap01.baldor.com



DUTY MASTER ALTERNATING CURRENT MOTORS
SQUIRREL-CAGE INDUCTION

617427-213

ENCLOSURE: TOTALLY ENCLOSED

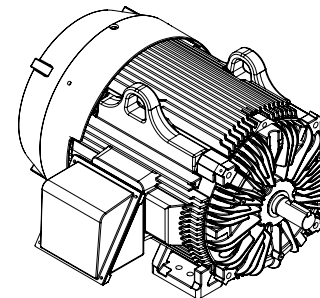
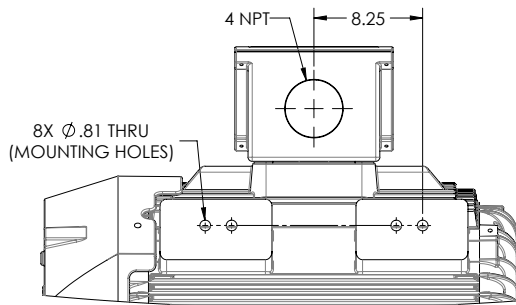
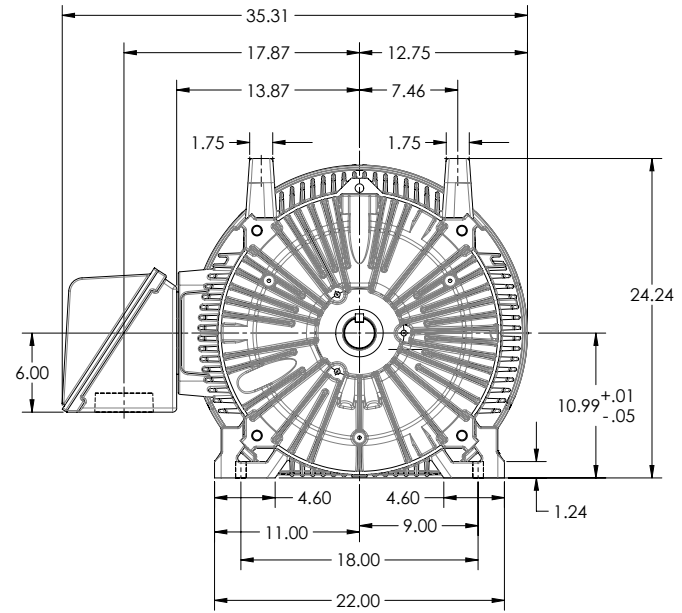
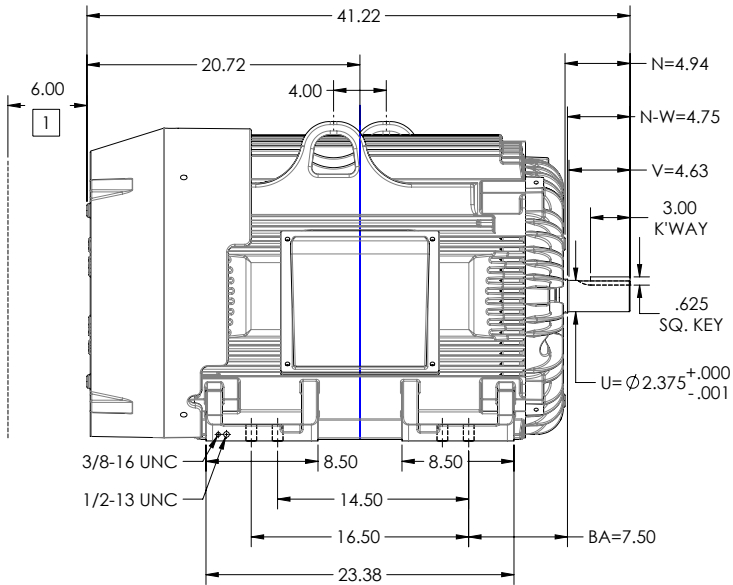
COOLING: FAN COOLED

MOUNTING: FOOT, F1

G445TS/G444TS FRAME MOUNTING HOLES

ENCLOSURE ENHANCEMENT: 841-XL

CONDUIT BOX WITH 4" NPT



1. OBSTRUCTION MUST NOT ENCR OACH ON AIR INLET

IF MOUNTING CLEARANCE DETAILS ARE REQUIRED, CONSULT FACTORY.
MAXIMUM PERMISSIBLE SHAFT RUNOUT WHEN MEASURED AT END OF
STANDARD SHAFT EXTENSION IS .0015" T.I.R. TO 5 INCH DIA.

DIMENSIONS ARE IN INCHES.
WEIGHT (LBS): 2100, MOTOR WEIGHTS MAY VARY BY 15% DEPENDING ON RATING.
CUSTOMER IS RESPONSIBLE FOR DETERMINING THAT MOTOR PERFORMANCE IS SUITABLE IN THE APPLICATION.

REV. A	VERSION: 01	REVISED: 01-31-26 06/22/2016	TDR: 00000985685
MODEL NO. 617427-213		REF:	
BY: USJEDIL		Material:	

BALDOR

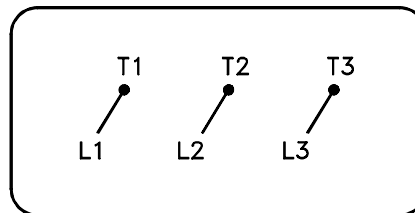
G445TS/444TS STD - FOOTED - SIDE-CENTER C.B. - 841XL

SHEET NUMBER
1 OF 1
E17427-213

617427-213

416820-036

A-C MOTOR
 CONNECTION DIAGRAM
 STANDARD 3 LEAD CONNECTED



(N.P. 1575-BA)

416820-036

REV. DESC: LOADED TO BUS, C/R 335225		
REV. LTR: -	VERSION: 00	TDR: 000000538207
FILE: \MGA\00000\682	REVISED: 11:54:06 04/30/2010	
MTL: -	BY: RAGRA	

BALDOR

CONN DIAG - STANDARD 3 LEAD

SH 1 of 1

Marketing maintained PDF of MN408:

<http://www.baldor.com/support/Literature/Load.ashx/MN408?ManNumber=MN408>

Marketing maintained PDF of MN416:

<http://www.baldor.com/support/Literature/Load.ashx/MN416?ManNumber=MN416>