

BALDOR® • RELIANCE 

Product Information Packet

ECP844156T-4

150HP, 1190RPM, 3PH, 60HZ, 447T, A44120M, TEFC

Part Detail							
Revision:	M	Status:	PRD/A	Change #:		Proprietary:	No
Type:	AC	Elec. Spec:	A44WG1496	CD Diagram:	416820-036	Mfg Plant:	
Mech. Spec:		Layout:	617427-062	Poles:	06	Created Date:	08-20-2012
Base:		Eff. Date:	10-16-2017	Leads:	3#1/0		

Specs			
Catalog Number:	ECP844156T-4	Feedback Device:	NO FEEDBACK
Enclosure:	TEFC	Heater Indicator:	No Heater
Frame:	447T	Insulation Class:	F
Frame Material:	Iron	Inverter Code:	Inverter Ready
Output @ Frequency:	150.000 HP @ 60 HZ	KVA Code:	F
Synchronous Speed @ Frequency:	1200 RPM @ 60 HZ	Lifting Lugs:	No Lifting Lugs
Voltage @ Frequency:	460.0 V @ 60 HZ	Motor Lead Quantity/Wire Size:	3 @ 1/0 AWG
XP Class and Group:	CLI GP A,B,C,D	Motor Type:	A44120M
XP Division:	Division II	Mounting Arrangement:	F1
Agency Approvals:	UR	Power Factor:	86
	CSA EEV	Pulley End Bearing Type:	Ball
	CCSA US	Pulley Face Code:	Standard
Auxillary Box:	No Auxillary Box	Shaft Ground Indicator:	No Shaft Grounding
Base Indicator:	Rigid	Shaft Rotation:	Phase Seq-Std Rot (CCWODE)
Bearing Grease Type:	Polyrex EM (-20F +300F)	Shaft Slinger Indicator:	No Slinger
Constant Torque Speed Range:	15-60	Speed Code:	Single Speed
Current @ Voltage:	170.000 A @ 460.0 V	Motor Standards:	None
Design Code:	B	Starting Method:	Direct on line

Drip Cover:	No Drip Cover	Thermal Device - Bearing:	NONE (OLD)
Duty Rating:	CONT	Thermal Device - Winding:	None
		XP Temp Code:	T3

Nameplate NP3237											
CAT NO	ECP844156T-4	SPEC NO.	P44G3970								
HP	150	AMPS	170	VOLTS	460						
FRAME SIZE	447T	RPM	1190	HZ	60	AMB	40	SF	1.15	DESIGN	B
D.E. BRG.DATA	6318	O.D.E. BRG.DATA	6318		PH	3					
D.E. BRG.	90BC03J30X	TYPE	P	ENCL	TEFC	CODE	F				
O.D.E. BRG.	90BC03J30X	POWER FACTOR	86								
3/4 LOAD EFF.	96.2	IP	56	MAX CORR KVAR	25.0						
TEMP CODE	T3	TEMP =	200								
CHP HZ	60-90	CT HZ	15-60		VT HZ	0-60					
INVERTER-TEMP-CODE	T3	NEMA-NOM-EFFICIENCY	95.8								
SER.NO.		GUARANTEED EFFICIENCY	95.0								
		INSUL.CLASS	F								
		DUTY	CONT								
		MOTOR WEIGHT									

Nameplate 000613007EX

CAT NO	ECP844156T-4	SPEC NO.	P44G3970
NO. ROTOR BARS	71	GREASE TYPE	POLYREX EM
NO. SLOTS	90	NL AMPS AT RATED VOLTAGE	42.5
5 YEAR WARRANTY		WINDING RES @25 C	.03239
MFG. DATE		SER.NO	
			OHMS

Parts List		
Part Number	Description	Quantity
SA249738	SA P44G3970	1.000 EA
RA236598	RA P44G3970	1.000 EA
000613006PU	N/P (RELEASE QTY 10,000) UL CSA LABEL	1.000 EA
NP3237	SS SUPER E INVERTER DUTY IEEE 841	1.000 EA
000613007EX	SS IEEE 841 EMBOSSED AUXILIARY NAMEPLATE	1.000 EA
000692000FF	N/P	1.000 EA
000692000JP	N/P	1.000 EA
000692000VD	LABEL WARNING	1.000 EA
004824015A	GREASE POLYREX EM	1.156 LB
032018008CK	HHCS 3/8-16X1L PLATED	4.000 EA
032018020FK	HHCS 3/4-10X2-1/2 PLTD.	4.000 EA
032018030DK	HHCS 1/2-13X3-3/4 PLTD.	3.000 EA
032620016LA	SOCKET SET SCREW-449	3.000 EA
034017014AB	LCKW 3/8 STD. PLATED	4.000 EA
034180014DA	KEY 1/4X1/4X1-3/4 L	1.000 EA
034530072AB	P/NIP 1/8X9"L Threaded both ends	1.000 EA
034530072BB	PIPE NIPPLE,DE - 440-BS	1.000 EA
034600001AA	BUSH 1/4TO1/8 BLACK	1.000 EA
034630002AB	CPLG 1/4" PLATED	1.000 EA
034690005AB	PPLG 3/4 PLATED	2.000 EA
035000001G	GREASE RELIEF FITTING, ALEMITE 317400	1.000 EA
089490099D	G28 BRKT 089490098WCA	1.000 EA
078549001DA	FAN 400 078549001F	1.000 EA
083199082RA	G28 SHORT FAN COVER W/BAFFLE ASSEMBLY	1.000 EA

Parts List (continued)		
Part Number	Description	Quantity
089490099D	G28 BRKT 089490098WCA	1.000 EA
410700004A	WSHR	1.000 EA
415028021L	SEAL - 449	1.000 EA
415072001B	CLAMP	1.000 EA
415096002A	CPLG 1/8 HEX TYPE	1.000 EA
423709011D	WASHER	3.000 EA
032018004BK	HHCS 5/16-18X1/2 PLATED	3.000 EA
032018020FK	HHCS 3/4-10X2-1/2 PLTD.	4.000 EA
032018030DK	HHCS 1/2-13X3-3/4 PLTD.	3.000 EA
034017013AB	LCKW 5/16 STD. PLATED	3.000 EA
034530044AB	P/NIP 1/8X5-1/2L GALV.	1.000 EA
034530044BB	P/NIP 1/4X5-1/2L PLT	1.000 EA
415915007G	GASK, LAC	1.000 FT
034600001AA	BUSH 1/4TO1/8 BLACK	1.000 EA
034630002AB	CPLG 1/4" PLATED	1.000 EA
035000001G	GREASE RELIEF FITTING, ALEMITE 317400	1.000 EA
415028021L	SEAL - 449	1.000 EA
415096002A	CPLG 1/8 HEX TYPE	1.000 EA
418151014G	RETAIN RING	1.000 EA
423709011D	WASHER	3.000 EA
702623013A	THERMAL BARRIER -- G28 -- BRACKET MTD	1.000 EA
032018008BK	HHCS 5/16-18X1L PLATED	4.000 EA
032018008DK	HHCS 1/2-13X1 PLATED	4.000 EA
033512004LB	HHTTS 1/4-20X1/2 PLTD.	1.000 EA

Product Information Packet: ECP844156T-4 - 150HP,1190RPM,3PH,60HZ,447T,A44120M,TEFC

035000001A	ALFTG 1/8" 1610-BL	1.000 EA
035000001A	ALFTG 1/8" 1610-BL	1.000 EA
067053014A	GASK 440	1.000 EA
076870000B	+CBCST BLKT - 440	1.000 EA
076871000A	+CBOX CVR BLKT - 449	1.000 EA
406056007A	GASKET, 440	1.000 EA
406099000A	PLUG - FAN COVER 320-440	1.000 EA
415000103D	T/LUG #4AWG-1/0AWG W/HOLE FOR .250 BOLT	1.000 EA
418150003A	GREASE FITTING CAP	1.000 EA
418150003A	GREASE FITTING CAP	1.000 EA
033775004EA	DRSCR #6-1/4 304 S.S.	2.000 EA
034180054KA	7/8 SQ X 6.75 KEY	1.000 EA
MG1025N19	WILKO 778.50 BLUE GREEN - 55 GAL DRUMS	0.375 GA
004824003CBY	WILKO PAINT 060.02 - ACTIVATOR	0.094 GA
MG1500G03-5	LACQUER PRIMER, GRAY	0.094 GA
421948051	LABEL, MYLAR	1.000 EA
604797056	WOOD BASE 447 60 X 41-1/2 BLT 20 X 18	1.000 EA
LB1449	DIV-2/NEC WARNING LABEL	1.000 EA
412118006A	DRAIN	2.000 EA

REL. S.O.	FRAME	HP	TYPE	PHASE/HERTZ	RPM	VOLTS
	447T	150	P	3/60	1190	460
AMPS	DUTY	AMB °C/ INSUL.	S.F.	NEMA DESIGN	CODE LETTER	ENCL.
170	CONT	40/F	1.15	B	F	TEFC
E/S	ROTOR	TEST S.O.	TEST DATE	STATOR RES. @25 °C (BETWEEN LINES)		
833241	418143080ME	---	---	.0324		

PERFORMANCE						
LOAD	HP	AMPERES	RPM	POWER FACTOR %	EFFICIENCY %	
NO LOAD	0	42.5	1200	3.70	0	
1/4	37.6	65.5	1197	56.6	94.9	
2/4	75.1	94.9	1194	76.9	96.3	
3/4	112	130	1191	83.9	96.2	
4/4	150	170	1188	86.3	95.8	
5/4	188	213	1184	86.8	95.1	

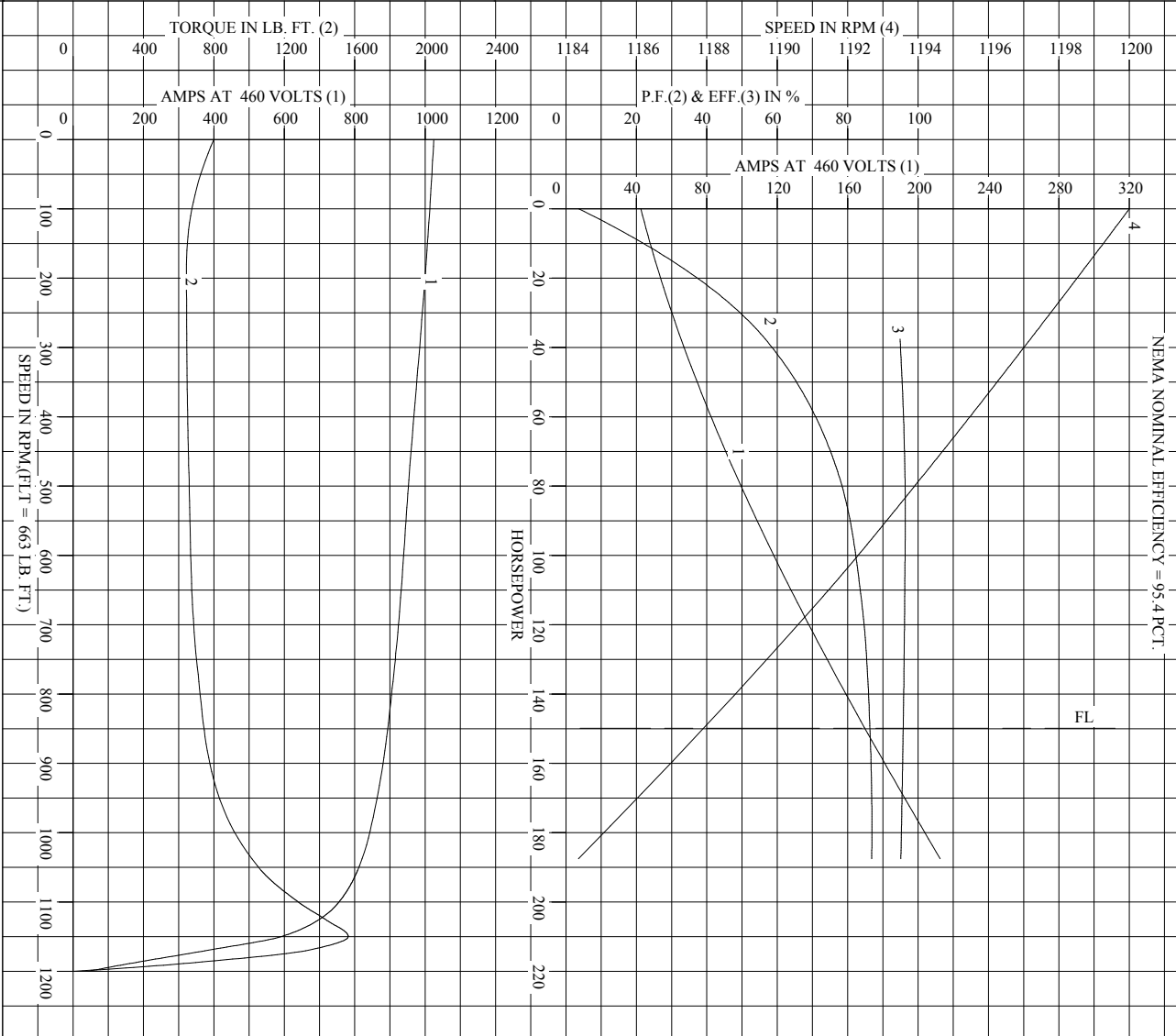
SPEED TORQUE						
	RPM	TORQUE % FULL LOAD	TORQUE LB.-FT.	AMPERES		
LOCKED ROTOR	0	121	799	1025		
PULL UP	180	97.2	644	1002		
BREAKDOWN	1150	236	1563	592		
FULL LOAD	1188	100	663	170		

AMPERES SHOWN FOR 460. VOLT CONNECTION. IF OTHER VOLTAGE CONNECTIONS ARE AVAILABLE, THE AMPERES WILL VARY INVERSELY WITH THE RATED VOLTAGE

REMARKS: TYPICAL DATA
NEMA NOMINAL EFFICIENCY = 95.4 PCT.

BALDOR	DR. BY	W. L. SMITH	A-C MOTOR	
	CK. BY	J. J. HARRISON		PERFORMANCE DATA
	APP. BY	W. L. SMITH		
	DATE	04/27/10		
		ISSUE DATE	12/18/10	

REL. S. O. _____ RPM 1190 S. F. 1.15 ROTOR 418143080ME
 FRAME 447T VOLTS 460 NEMA DESIGN B TEST S. O. TYPICAL DATA
 HP 150 AMPS 170 CODE LETTER F TEST DATE ---
 TYPE P DUTY CONT ENCLOSURE TEFC STATOR RES. @ 25 °C .0324
 PHASE/HERTZ 3/60 AMB °C/INSUL 40/F E/S 833241 OHMS (BETWEEN LINES)



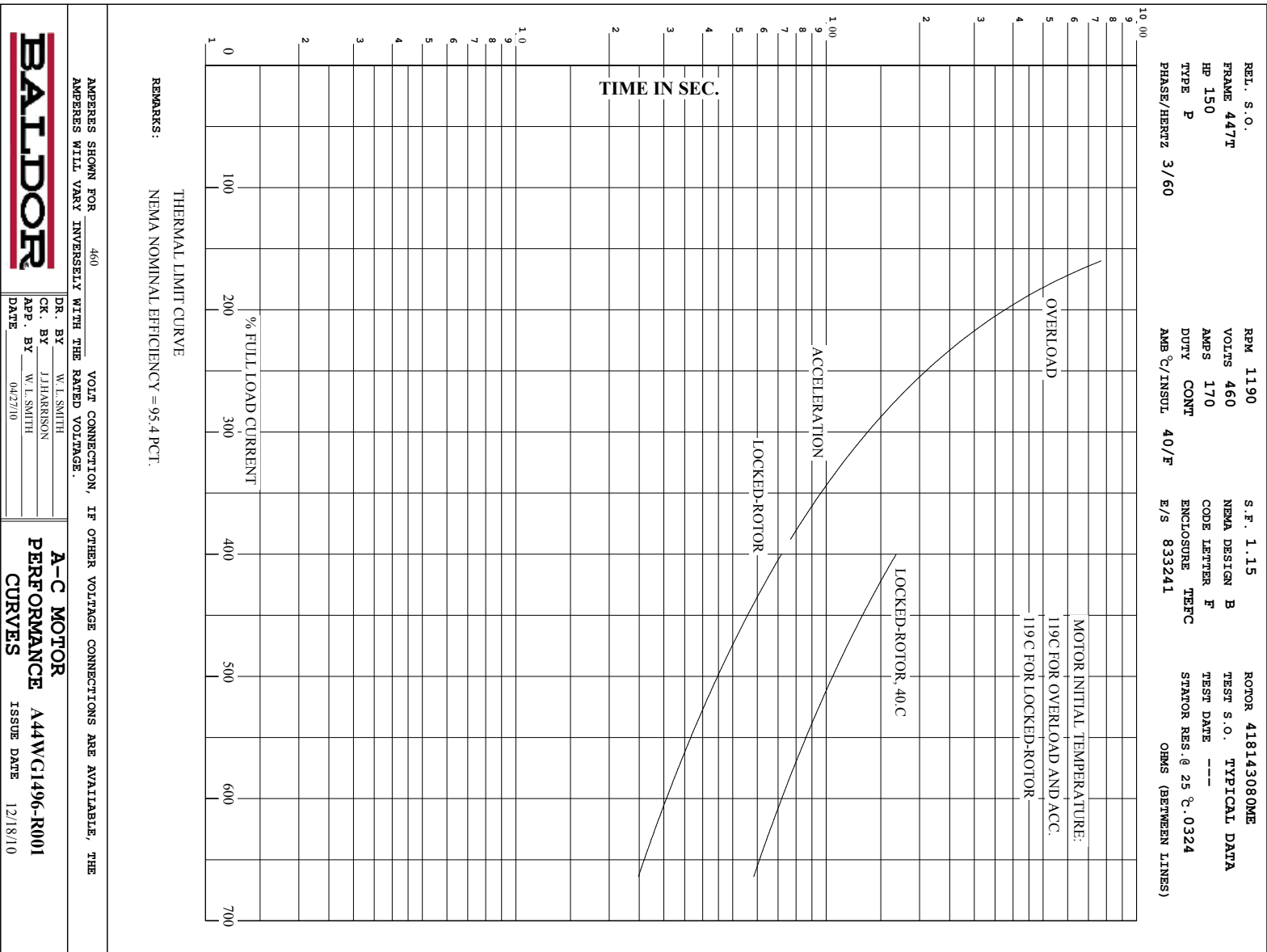
AMPERES SHOWN FOR 460 VOLT CONNECTION, IF OTHER VOLTAGE CONNECTIONS ARE AVAILABLE, THE AMPERES WILL VARY INVERSELY WITH THE RATED VOLTAGE.

BALDOR

DR. BY W. L. SMITH
 CK. BY J. HARRISON
 APP. BY W. L. SMITH
 DATE 04/27/10

A-C MOTOR PERFORMANCE CURVES A44WG196-R001
 ISSUE DATE 12/18/10

Printed on 12/18/10 6:09 @ pscs-motoreng



617427-062

DUTY MASTER ALTERNATING CURRENT MOTORS

SQUIRREL-CAGE INDUCTION

ENCLOSURE: TOTALLY ENCLOSED

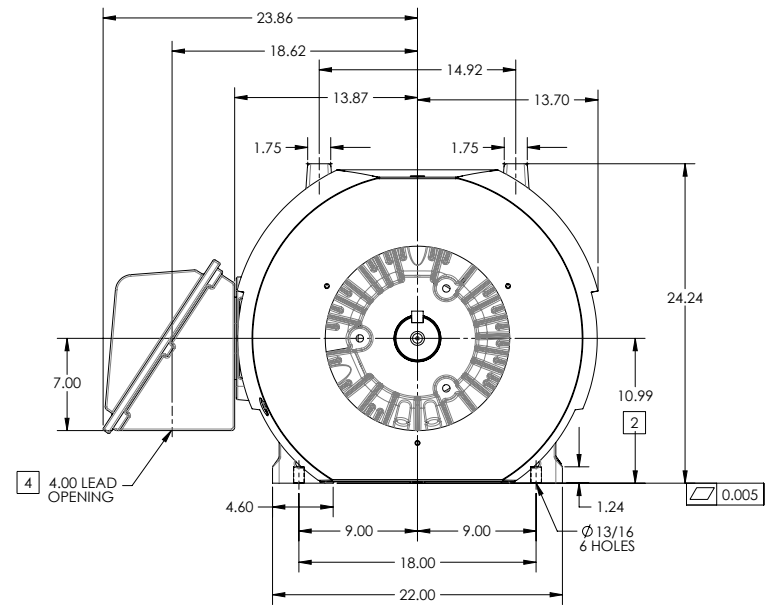
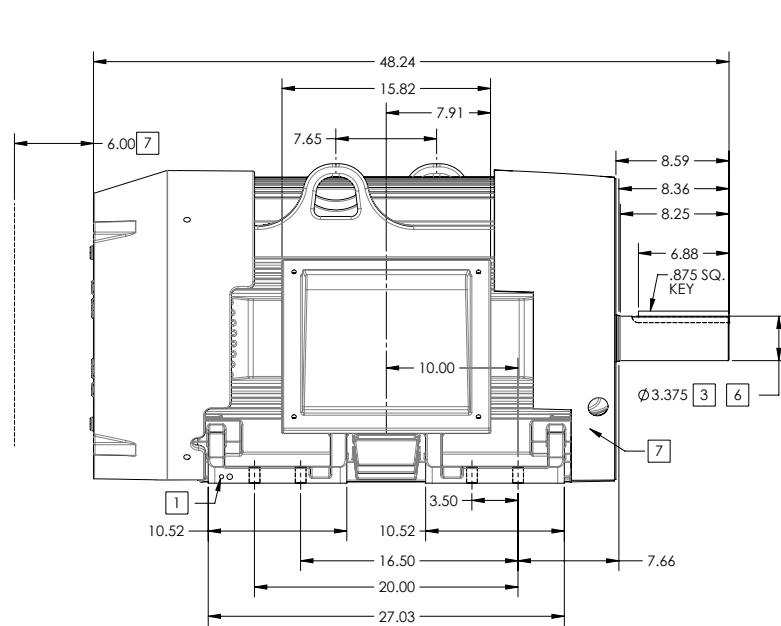
FRAME G447T ABOVE NEMA RATINGS

COOLING: FAN COOLED

MOUNTING: FOOT

INCLUDES 445T FRAME MOUNTING HOLES

841XL ENCLOSURE ENHANCEMENT



1. GROUND HOLES QTY 1 1/2-13 TAP; QTY 1 3/8-16 TAP
2. VARIES +.00,-.06
3. VARIES +.000,-.001
4. ON STANDARD MOTORS THIS IS CONDUIT SIZE. ON XT AND CORROSION PROOF MOTOR THIS IS PIPE TAP.
5. MOTOR WEIGHTS MAY VARY BY 15% DEPENDING ON RATING.
6. SHAFT TIR = 0.0015 IN FOR BALL BEARING MOTORS AND 0.002 IN FOR ROLLER BEARING CONSTRUCTION
7. OBSTRUCTION MUST NOT ENCR OACH ON AIR INLET.
8. AIR DEFLECTOR INSTALLED WHEN REQUIRED.

[5] WEIGHT (LBS): 2515

DRIVE END AIR DEFLECTOR IS ONLY INCLUDED WHEN NECESSARY.

DIMENSIONS ARE IN INCHES; SEE SHEET 2 FOR DIMENSIONS IN MILLIMETERS

CUSTOMER IS RESPONSIBLE FOR DETERMINING THAT MOTOR PERFORMANCE IS SUITABLE IN THE APPLICATION.

CONDUIT BOX LOCATED ON OPPOSITE SIDE WHEN F-2.
IF MOUNTING CLEARANCE DETAILS ARE REQUIRED, CONSULT FACTORY.
MAXIMUM PERMISSIBLE SHAFT RUNOUT WHEN MEASURED AT END OF
STANDARD SHAFT EXTENSION IS .0015" T.I.R. TO 5 INCH DIA.

SHEET NUMBER
1 OF 2

617427-062

REV. B	VERSION: 02	REVISED: 02-29-34 08/17/2016	TDR: 00000993142
MODEL NO. 617427-062			REF:
BY: RAGSS1	Material:		

BALDOR

G447T-445T STD - FOOTED - SIDE-CENTER CB - 841XL

617427-062

617427-062

DUTY MASTER ALTERNATING CURRENT MOTORS

SQUIRREL-CAGE INDUCTION

ENCLOSURE: TOTALLY ENCLOSED

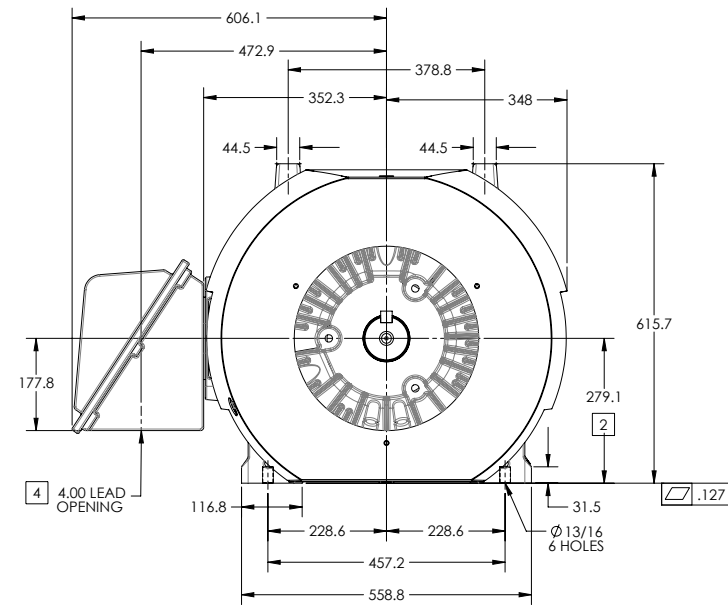
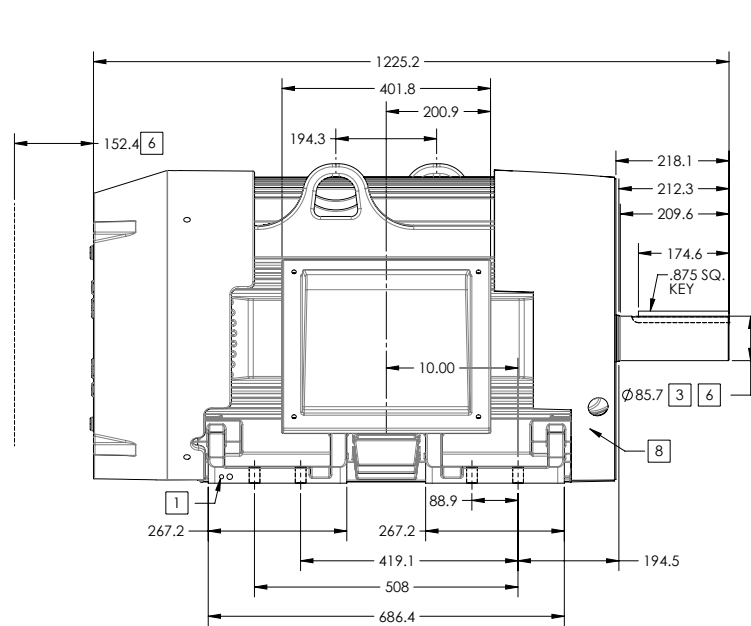
FRAME G447T ABOVE NEMA RATINGS

COOLING: FAN COOLED

MOUNTING: FOOT

INCLUDES 445T FRAME MOUNTING HOLES

841XL ENCLOSURE ENHANCEMENT



1. GROUND HOLES QTY 1 1/2-13 TAP; QTY 1 3/8-16 TAP
2. VARIES +.00,-.06
3. VARIES +.000,-.001
4. ON STANDARD MOTORS THIS IS CONDUIT SIZE. ON XT AND CORROSION PROOF MOTOR THIS IS PIPE TAP.
5. MOTOR WEIGHTS MAY VARY BY 15% DEPENDING ON RATING.
6. SHAFT TIR = 0.038MM FOR BALL BEARING MOTORS AND 0.051 MM FOR ROLLER BEARING CONSTRUCTION
7. OBSTRUCTION MUST NOT ENCRACH ON AIR INLET.
8. AIR DEFLECTOR INSTALLED WHEN REQUIRED.

CONDUIT BOX LOCATED ON OPPOSITE SIDE WHEN F-2.
IF MOUNTING CLEARANCE DETAILS ARE REQUIRED, CONSULT FACTORY.
MAXIMUM PERMISSIBLE SHAFT RUNOUT WHEN MEASURED AT END OF STANDARD SHAFT EXTENSION IS .03 MM T.I.R. TO 127 MM DIA.

[5] WEIGHT (KGS): 1140

DRIVE END AIR DEFLECTOR IS ONLY INCLUDED WHEN NECESSARY.

DIMENSIONS ARE IN MILLIMETERS; SEE SHEET 1 FOR DIMENSIONS IN INCHES

CUSTOMER IS RESPONSIBLE FOR DETERMINING THAT MOTOR PERFORMANCE IS SUITABLE IN THE APPLICATION.

REV. DESC: CHANGE SHAFT RUNOUT TO .0015"			
REV: B	VERSION: 02	REVISED: 02-29-34 08/17/2016	TDR: 00000993142
MODEL NO. 617427-062		REF:	
BY: RAGSSI	Material:	C	

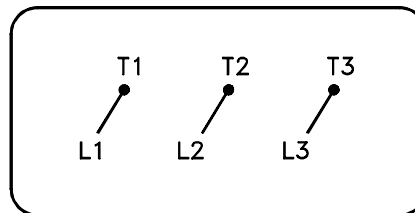
BALDOR

G447T/445T STD - FOOTED - SIDE-CENTER CB - 841XL

617427-062

416820-036

A-C MOTOR
CONNECTION DIAGRAM
STANDARD 3 LEAD CONNECTED



(N.P. 1575-BA)

416820-036

REV. DESC: LOADED TO BUS, C/R 335225		
REV. LTR: -	VERSION: 00	TDR: 000000538207
FILE: \MGA\00000\682	REVISED: 11:54:06 04/30/2010	
MTL: -	BY: RAGRA	

BALDOR

CONN DIAG - STANDARD 3 LEAD

SH 1 of 1

Marketing maintained PDF of MN408:

<http://www.baldor.com/support/Literature/Load.ashx/MN408?ManNumber=MN408>

Marketing maintained PDF of MN416:

<http://www.baldor.com/support/Literature/Load.ashx/MN416?ManNumber=MN416>