

**BALDOR® • RELIANCE** 

**Product Information Packet**

**ECR91006TR-4**

**100HP, 1190RPM, 3PH, 60HZ, 444T, A44084M, TEFC**

Part Detail							
Revision:	F	Status:	PRD/A	Change #:		Proprietary:	No
Type:	AC	Elec. Spec:	A44WG1491	CD Diagram:	416820-036	Mfg Plant:	
Mech. Spec:		Layout:	617427-315	Poles:	06	Created Date:	01-30-2015
Base:		Eff. Date:	10-16-2017	Leads:	3#1		

Specs			
Catalog Number:	ECR91006TR-4	Heater Indicator:	No Heater
Enclosure:	TEFC	Insulation Class:	F
Frame:	444T	Inverter Code:	Inverter Ready
Frame Material:	Iron	KVA Code:	H
Output @ Frequency:	100.000 HP @ 60 HZ	Lifting Lugs:	No Lifting Lugs
Synchronous Speed @ Frequency:	1200 RPM @ 60 HZ	Motor Lead Quantity/Wire Size:	3 @ 1 AWG
Voltage @ Frequency:	460.0 V @ 60 HZ	Motor Type:	A44084M
XP Class and Group:	None	Mounting Arrangement:	F1
XP Division:	Not Applicable	Power Factor:	83
Agency Approvals:	CSA EEV	Product Family:	Crusher / Chipper
Auxillary Box:	No Auxillary Box	Pulley End Bearing Type:	Roller
Base Indicator:	Rigid	Pulley Face Code:	Standard
Bearing Grease Type:	Mobil SHC 220 (Athens Only)	Shaft Ground Indicator:	No Shaft Grounding
Constant Torque Speed Range:	6-60	Shaft Rotation:	Reversible
Current @ Voltage:	119.000 A @ 460.0 V	Shaft Slinger Indicator:	Shaft Slinger
Design Code:	A	Speed Code:	Single Speed
Drip Cover:	No Drip Cover	Motor Standards:	NEMA
Duty Rating:	CONT	Starting Method:	Direct on line

<b>Feedback Device:</b>	NO FEEDBACK	<b>Thermal Device - Bearing:</b>	None
		<b>Thermal Device - Winding:</b>	None

<b>Nameplate 000613007PV</b>										
<b>CAT NO</b>	ECR91006TR-4			<b>SPEC NO.</b>	P44G1805					
<b>HP</b>	100	<b>AMPS</b>	119	<b>VOLTS</b>	460		<b>DESIGN</b>	A		
<b>RPM</b>	1190	<b>RPM MAX</b>	3000	<b>HZ</b>	60	<b>AMB</b>	40	<b>SF</b>	1.25	
<b>D.E. BRG.DATA</b>	NU222			<b>O.D.E. BRG.DATA</b>	6318		<b>PH</b>	3	<b>DUTY</b>	CONT
<b>FRAME</b>	444T	<b>I.P.</b>	55	<b>TYPE</b>	P	<b>ENCL</b>	TEFC	<b>CODE</b>	H	
<b>POWER FACTOR</b>	83	<b>3/4 LOAD EFF.</b>			95.0		<b>NEMA NOM EFFICIENCY</b>			95
<b>CHP HZ</b>	60-90	<b>CT HZ</b>	6-60	<b>VT HZ</b>	6-60					
<b>SER.NO.</b>				<b>MOTOR WEIGHT</b>						
1.25SF AMPS= 146										

Nameplate NP2496L

MOBIL SHC -220 GREASE

Parts List		
Part Number	Description	Quantity
SA293582	SA P44G1805	1.000 EA
RA279675	RA P44G1805	1.000 EA
000613007PV	SS NP, CRUSHER DUTY, EMBOSSED,MAIN MOTOR	1.000 EA
000692000FF	N/P	1.000 EA
000692000RT	N/P	1.000 EA
000692000VD	LABEL WARNING	1.000 EA
NP2496L	MOTOR LUBE NAMEPLATE	1.000 EA
032018008CK	HHCS 3/8-16X1L PLATED	4.000 EA
032018020FK	HHCS 3/4-10X2-1/2 PLTD.	4.000 EA
032018030DK	HHCS 1/2-13X3-3/4 PLTD.	3.000 EA
032620016LA	SOCKET SET SCREW-449	3.000 EA
034017014AB	LCKW 3/8 STD. PLATED	4.000 EA
034180014DA	KEY 1/4X1/4X1-3/4 L	1.000 EA
034530064AB	P/NIP 1/8 X 8" L Pipe Nipple	1.000 EA
034530064BB	P/NIP 1/4X8 PLATED	1.000 EA
034631002AB	BUSH 1/4 TO 1/8 PLTD.	1.000 EA
035000001G	GREASE RELIEF FITTING, ALEMITE 317400	1.000 EA
034690005AB	PPLG 3/4 PLATED	2.000 EA
078550001H	FAN KB 120/60 360	1.000 EA
083199082A	G28 FAN COVER MACHINING SHORT VERSION	1.000 EA
089490099A	G28 BRKT 089490098WCA KB	1.000 EA
415045002A	SLGR	1.000 EA
415072001B	CLAMP	1.000 EA
415096002A	CPLG 1/8 HEX TYPE	1.000 EA

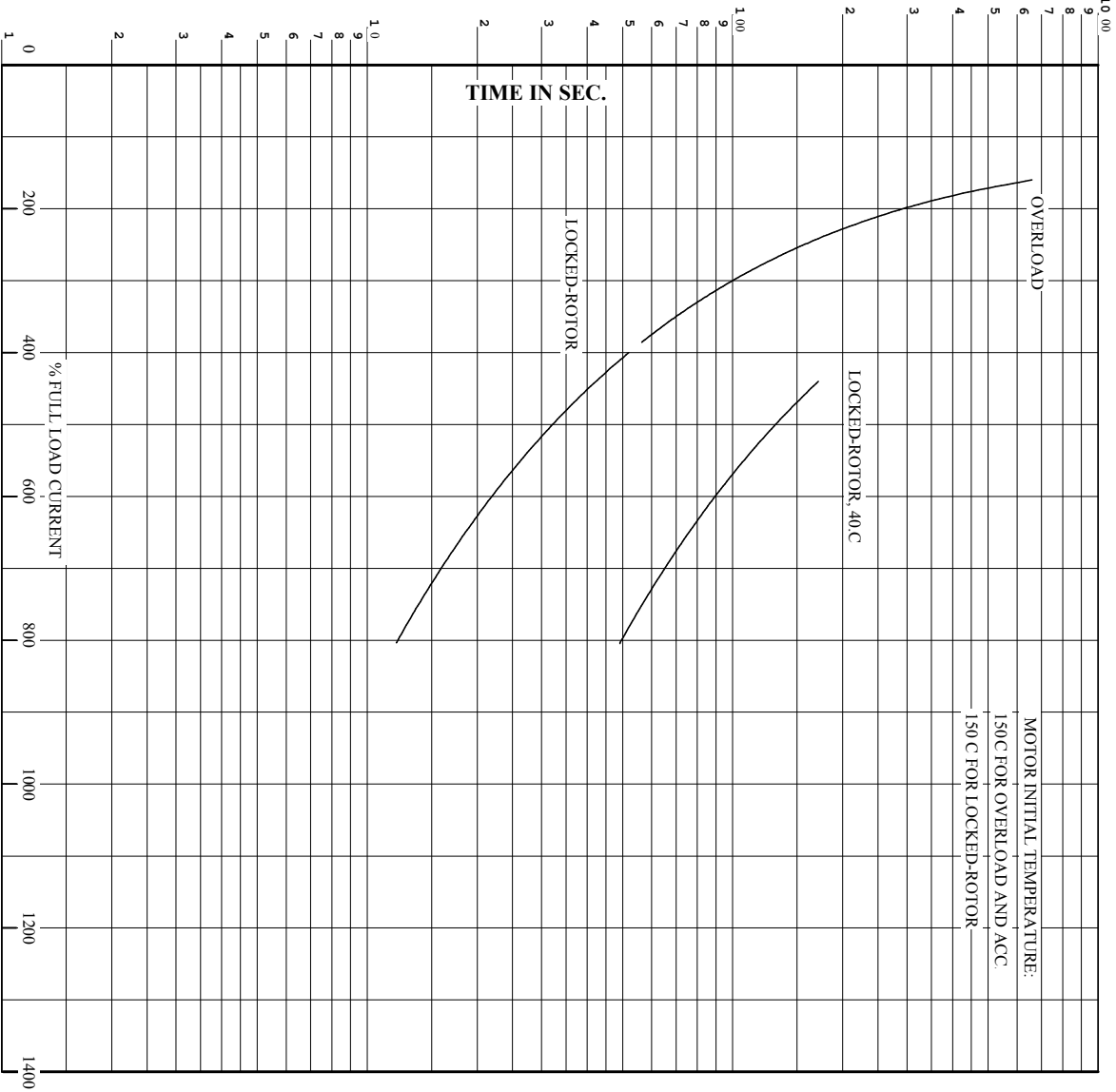
Parts List (continued)		
Part Number	Description	Quantity
418151014G	RETAIN RING	1.000 EA
032018004BK	HHCS 5/16-18X1/2 PLATED	3.000 EA
032018020FK	HHCS 3/4-10X2-1/2 PLTD.	4.000 EA
032018030DK	HHCS 1/2-13X3-3/4 PLTD.	3.000 EA
034017013AB	LCKW 5/16 STD. PLATED	3.000 EA
034530036AB	P/NIP 1/8 X4-1/2 Yellow Zinc46114-BM	1.000 EA
034530036BB	P/NIP 1/4X4-1/2 GALV.	1.000 EA
034631002AB	BUSH 1/4 TO 1/8 PLTD.	1.000 EA
035000001G	GREASE RELIEF FITTING, ALEMITE 317400	1.000 EA
089490101A	G28 BRKT 089490100WCA	1.000 EA
415045002D	SLGR - 440	1.000 EA
415096002A	CPLG 1/8 HEX TYPE	1.000 EA
415915007G	GASK, LAC	1.000 FT
418151014H	RETAIN RING	1.000 EA
702623013A	THERMAL BARRIER -- G28 -- BRACKET MTD	1.000 EA
032018008BK	HHCS 5/16-18X1L PLATED	4.000 EA
032018008DK	HHCS 1/2-13X1 PLATED	4.000 EA
033512006LB	HHTTS 1/4-20X3/4 PLTD.	1.000 EA
035000001A	ALFTG 1/8" 1610-BL	1.000 EA
035000001A	ALFTG 1/8" 1610-BL	1.000 EA
067053001C	GASK 440	1.000 EA
076863000C	+CBCST BLKT - 440	1.000 EA
076864000A	CBCST BLKT - 440	1.000 EA
406056007A	GASKET, 440	1.000 EA

Product Information Packet: ECR91006TR-4 - 100HP,1190RPM,3PH,60HZ,444T,A44084M,TEFC

406099000A	PLUG - FAN COVER 320-440	1.000 EA
415000103D	T/LUG #4AWG-1/0AWG W/HOLE FOR .250 BOLT	1.000 EA
418150003A	GREASE FITTING CAP	1.000 EA
418150003A	GREASE FITTING CAP	1.000 EA
033775004EA	DRSCR #6-1/4 304 S.S.	2.000 EA
034180054KA	7/8 SQ X 6.75 KEY	1.000 EA
MG1025G96	WILKOFASST SG, 779.7048, MOUSE GRAY #7048	0.440 GA
421948051	LABEL, MYLAR	1.000 EA
004824015AP	GREASE MOBILITH SHC 220	1.160 LB
000613006PU	N/P (RELEASE QTY 10,000) UL CSA LABEL	1.000 EA
034001016AB	WSHR .562ID 1.375OD .109	1.000 EA
034001014AB	FLAT WASHER 3/8"PLATED	1.000 EA
032018028CK	HHCS 3/8-16X3-1/2 PLTD.	1.000 EA
604797001R	440 FR. ROLLER BEARING MOTOR SHAFT	1.000 EA
604799003C	PLASTIC BAG 42X32X46	1.000 EA
033300014AC	HEX NUT, SHIPPING - 400	2.000 EA
034001016AB	WSHR .562ID 1.375OD .109	2.000 EA
034001014AB	FLAT WASHER 3/8"PLATED	2.000 EA
032510024D	CARRIAGE BOLT - 444	2.000 EA
604797045	STD. 400 FRAME SKID	1.000 EA
412118006A	DRAIN	2.000 EA



REL. S.O. **444T** RPM **1190** S.F. **1.25** ROTOR **418143098RE**  
 FRAME **100** VOLTS **460** NEMA DESIGN **A** TEST S.O. **TYPICAL DATA**  
 HP **100** AMPS **119** CODE LETTER **H** TEST DATE **---**  
 TYPE **P** DUTY **CONT** ENCLOSURE **TEFC** SPATOR RES. @ 25 °C. **0.434**  
 PHASE/HERTZ **3/60** AMB °C/INSUL **40/F** E/S **497773** OHMS (BETWEEN LINES)



AMPERES SHOWN FOR 460 VOLT CONNECTION, IF OTHER VOLTAGE CONNECTIONS ARE AVAILABLE, THE AMPERES WILL VARY INVERSELY WITH THE RATED VOLTAGE.

**BALDOR**  
 A MEMBER OF THE ABB GROUP

DR. BY W. L. SMITH  
 CK. BY J. HARRISON  
 APP. BY W. L. SMITH  
 DATE 06/29/10

**A-C MOTOR**  
**PERFORMANCE** **A44W/G1491-R002**  
**CURVES** **ISSUE DATE 12/8/10**

REL. S.O.	FRAME	HP	TYPE	PHASE/HERTZ	RPM	VOLTS
	444T	100	P	3/60	1190	460
AMPS	DUTY	AMB °C/ INSUL.	S.F.	NEMA DESIGN	CODE LETTER	ENCL.
119	CONT	40/F	1.25	A	H	TEFC
E/S	ROTOR	TEST S.O.	TEST DATE	STATOR RES. @25 °C OHMS (BETWEEN LINES)		
497773	418143098RE	---	---	.0434		

PERFORMANCE

LOAD	HP	AMPERES	RPM	POWER FACTOR %	EFFICIENCY %
NO LOAD	0	34.5	1200	5.37	0
1/4	25.0	54.7	1197	46.7	91.7
2/4	50.0	71.9	1194	68.8	94.6
3/4	75.0	93.8	1191	78.6	95.2
4/4	100	119	1188	82.9	95.1
5/4	125	146	1185	84.8	94.6

SPEED TORQUE

	RPM	TORQUE % FULL LOAD	TORQUE LB.-FT.	AMPERES
LOCKED ROTOR	0	226	998	868
PULL UP	840	223	988	625
BREAKDOWN	1143	273	1207	458
FULL LOAD	1188	100	442	119

AMPERES SHOWN FOR 460. VOLT CONNECTION. IF OTHER VOLTAGE CONNECTIONS ARE AVAILABLE, THE AMPERES WILL VARY INVERSELY WITH THE RATED VOLTAGE

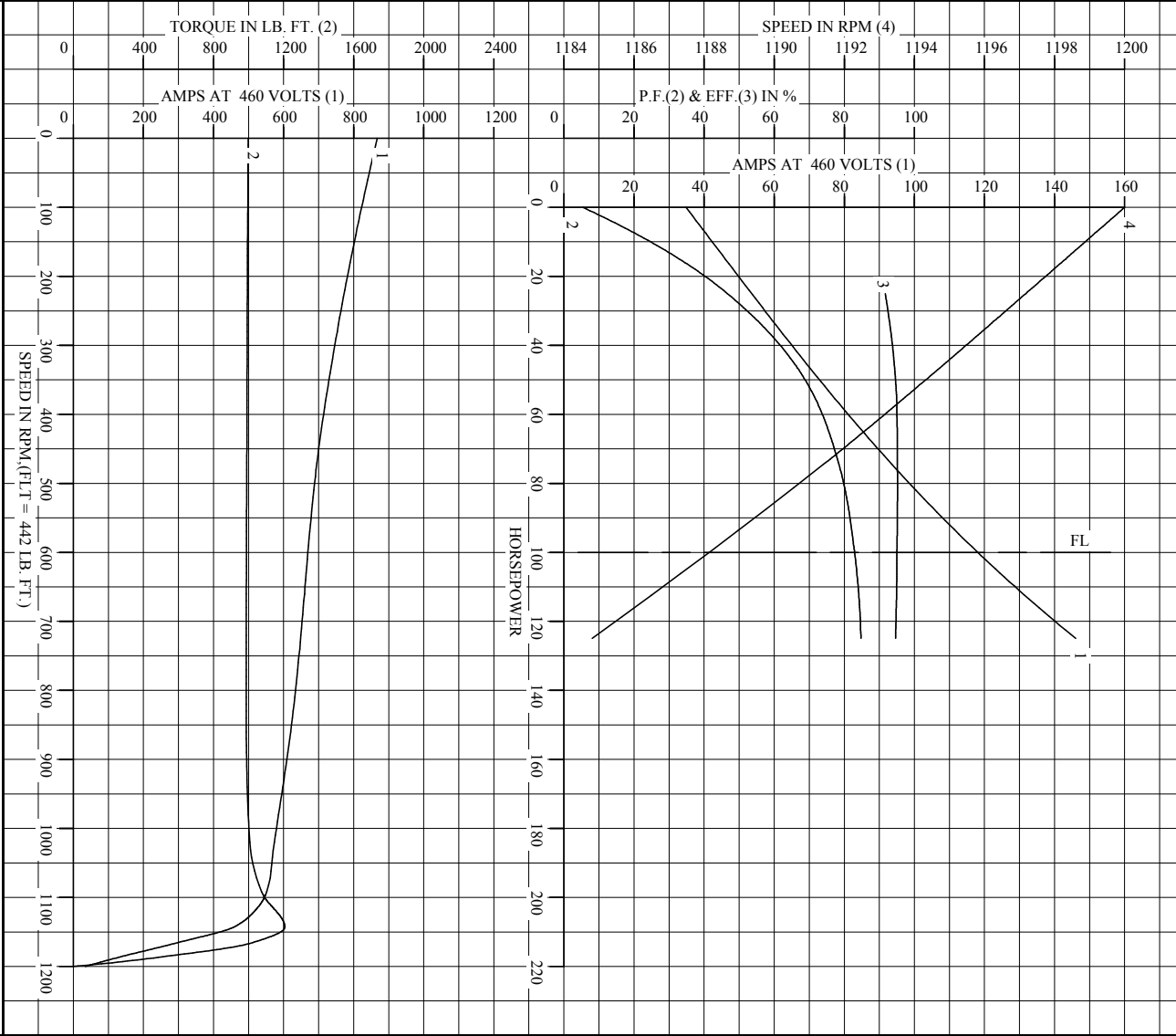
REMARKS: TYPICAL DATA



DR. BY W. L. SMITH  
 CK. BY J. J. HARRISON  
 APP. BY W. L. SMITH  
 DATE 06/29/10

A-C MOTOR  
 PERFORMANCE DATA  
 A44WG1491-R002  
 ISSUE DATE 12/18/10

REL S.O.	444T	RPM	1190	S.F.	1.25	ROTOR	418143098RE
FRAME	444T	VOLTS	460	NEMA DESIGN	A	TEST S.O.	TYPICAL DATA
HP	100	AMPS	119	CODE LETTER	H	TEST DATE	---
TYPE	P	DUTY	CONT	ENCLOSURE	TEFC	STATOR RES. @ 25 °C	.0434
PHASE/HERTZ	3/60	AMB °C/INSUL	40/F	E/S	497773	OMEG (BETWEEN LINES)	



AMPS SHOWN FOR 460 VOLTS. AMPS WILL VARY INVERSELY WITH THE RATED VOLTAGE.

VOLT CONNECTION, IF OTHER VOLTAGE CONNECTIONS ARE AVAILABLE, THE

**BALDOR**  
A MEMBER OF THE ABB GROUP

DR. BY	W. L. SMITH	A-C MOTOR
CHK. BY	J. HARRISON	PERFORMANCE
APP. BY	W. L. SMITH	A44WC1491-R002
DATE	06/29/10	ISSUE DATE
		12/18/10

**DUTY MASTER ALTERNATING CURRENT MOTORS**  
SQUIRREL-CAGE INDUCTION

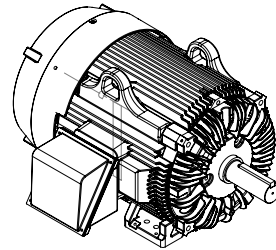
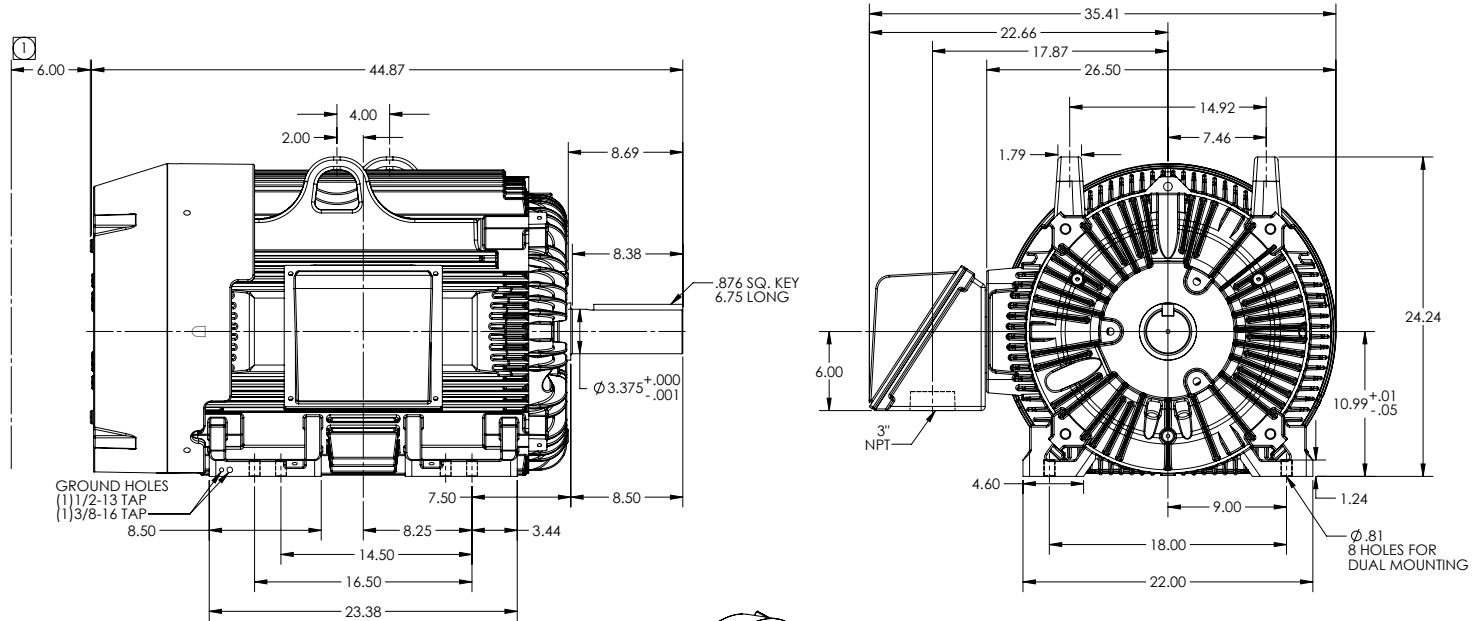
617427-315

ENCLOSURE: TOTALLY ENCLOSED

MOUNTING: FOOT

FRAMES G445T/444T

COOLING: FAN COOLED



- ① OBSTRUCTION MUST NOT ENCR OACH ON AIR INLET.
- IF MOUNTING CLEARANCE DETAILS ARE REQUIRED, CONSULT FACTORY.
- MAXIMUM PERMISSIBLE SHAFT RUNOUT WHEN MEASURED AT END OF STANDARD SHAFT EXTENSION IS .003" T.I.R.
- CONDUIT BOX LOCATED ON OPPOSITE SIDE WHEN F-2, W-1, W-4, W-5, W-7, OR C-1 MOUNTING IS SPECIFIED

DIMENSIONS ARE IN INCHES FOR MILLIMETERS SEE SHEET (2)  
CUSTOMER IS RESPONSIBLE FOR DETERMINING THAT MOTOR PERFORMANCE IS SUITABLE IN THE APPLICATION.

SHEET NUMBER  
**1 OF 2**  
617427-315

REV. DESC: NEW	VERSION: 00	REVISED: 09/06/36 12/05/2014	TDR: 00000881952
MODEL NO. 617427-315			
BY: RAGAJH			

**BALDOR**

G445T/444T STD - FOOTED - SIDE/CENTER C.1 C/B ROLLER BRG

617427-315

**DUTY MASTER ALTERNATING CURRENT MOTORS**  
SQUIRREL-CAGE INDUCTION

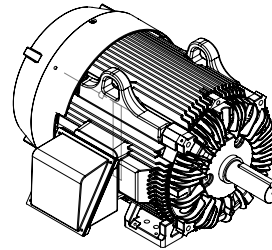
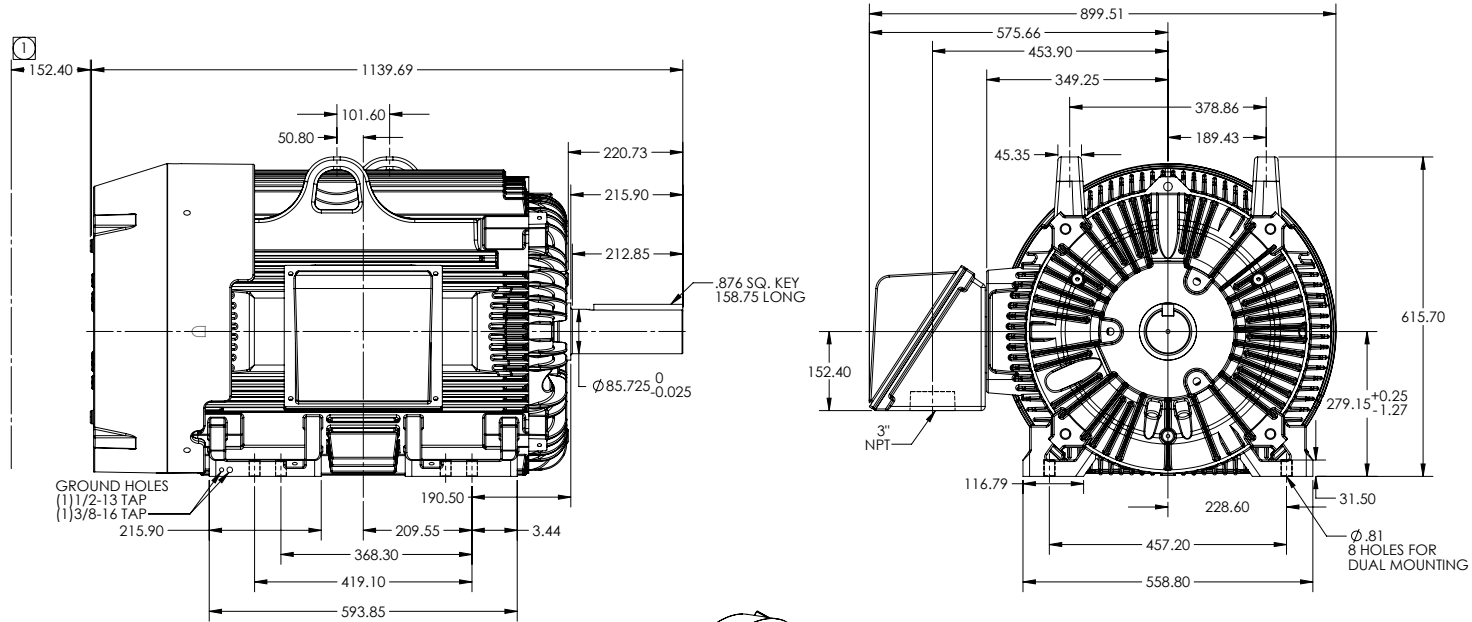
617427-315

ENCLOSURE: TOTALLY ENCLOSED

MOUNTING: FOOT

FRAMES G445T/444T

COOLING: FAN COOLED



① OBSTRUCTION MUST NOT ENCR OACH ON AIR INLET.  
IF MOUNTING CLEARANCE DETAILS ARE REQUIRED, CONSULT FACTORY.  
MAXIMUM PERMISSIBLE SHAFT RUNOUT WHEN MEASURED AT END OF STANDARD SHAFT EXTENSION IS .08 T.I.R.  
CONDUIT BOX LOCATED ON OPPOSITE SIDE WHEN F-2, W-1, W-4, W-5, W-7, OR C-1 MOUNTING IS SPECIFIED

DIMENSIONS ARE IN MILLIMETERS FOR INCHES SEE SHEET 1  
CUSTOMER IS RESPONSIBLE FOR DETERMINING THAT MOTOR PERFORMANCE IS SUITABLE IN THE APPLICATION.

SHEET NUMBER  
**2 OF 2**  
51E-2727-119

REV. DESC: NEW	VERSION: 00	REVISED: 09/06/36 12/05/2014	TDR: 000000881952
MODEL NO. 617427-315	BY: RAGAJH		

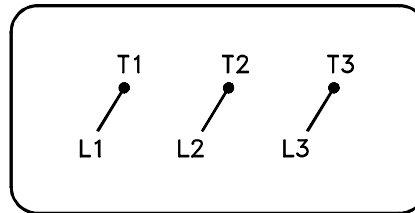
**BALDOR**

G445T/444T STD - FOOTED - SIDE/CENTER C.1 C/B ROLLER BRG

617427-315

416820-036

A-C MOTOR  
 CONNECTION DIAGRAM  
 STANDARD 3 LEAD CONNECTED



(N.P. 1575-BA)

416820-036

REV. DESC: LOADED TO BUS, C/R 335225		
REV. LTR: -	VERSION: 00	TDR: 000000538207
FILE: \MGA\00000\682	REVISED: 11:54:06 04/30/2010	
MTL: -	BY: RAGRA	

**BALDOR**

CONN DIAG - STANDARD 3 LEAD

SH 1 of 1

Marketing maintained PDF of MN408:

<http://www.baldor.com/support/Literature/Load.ashx/MN408?ManNumber=MN408>

Marketing maintained PDF of MN416:

<http://www.baldor.com/support/Literature/Load.ashx/MN416?ManNumber=MN416>