

**BALDOR® • RELIANCE** 

**Product Information Packet**

**ECR92504T-4**

**250HP, 1785RPM, 3PH, 60HZ, 449T, A44128M, TEFC**

Part Detail							
Revision:	F	Status:	PRD/A	Change #:		Proprietary:	No
Type:	AC	Elec. Spec:	A44WG5111	CD Diagram:	416820-036	Mfg Plant:	
Mech. Spec:		Layout:	617427-091	Poles:	04	Created Date:	02-05-2015
Base:		Eff. Date:	10-16-2017	Leads:	3#2 (04 per group)		

Specs			
Catalog Number:	ECR92504T-4	Heater Indicator:	No Heater
Enclosure:	TEFC	Insulation Class:	F
Frame:	449T	Inverter Code:	Inverter Ready
Frame Material:	Iron	KVA Code:	H
Output @ Frequency:	250.000 HP @ 60 HZ	Lifting Lugs:	No Lifting Lugs
Synchronous Speed @ Frequency:	1800 RPM @ 60 HZ	Motor Lead Quantity/Wire Size:	12 @ 2 AWG
Voltage @ Frequency:	460.0 V @ 60 HZ	Motor Type:	A44128M
XP Class and Group:	None	Mounting Arrangement:	F1
XP Division:	Not Applicable	Power Factor:	88
Agency Approvals:	CSA EEV	Product Family:	Crusher / Chipper
Auxillary Box:	No Auxillary Box	Pulley End Bearing Type:	Ball
Base Indicator:	Rigid	Pulley Face Code:	Standard
Bearing Grease Type:	Polyrex EM (-20F +300F)	Shaft Ground Indicator:	No Shaft Grounding
Constant Torque Speed Range:	15-60	Shaft Rotation:	Reversible
Current @ Voltage:	278.000 A @ 460.0 V	Shaft Slinger Indicator:	Shaft Slinger
Design Code:	A	Speed Code:	Single Speed
Drip Cover:	No Drip Cover	Motor Standards:	NEMA
Duty Rating:	CONT	Starting Method:	Direct on line

<b>Feedback Device:</b>	NO FEEDBACK	<b>Thermal Device - Bearing:</b>	None
		<b>Thermal Device - Winding:</b>	None

<b>Nameplate 000613007PV</b>									
<b>CAT NO</b>	ECR92504T-4		<b>SPEC NO.</b>	P44G1815		<b>DESIGN</b>	A		
<b>HP</b>	250	<b>AMPS</b>	278	<b>VOLTS</b>	460	<b>SF</b>	1.15		
<b>RPM</b>	1785	<b>RPM MAX</b>	3600	<b>HZ</b>	60	<b>AMB</b>	40	<b>DUTY</b>	CONT
<b>D.E. BRG.DATA</b>	6318		<b>O.D.E. BRG.DATA</b>	6318		<b>PH</b>	3	<b>INSUL.CLASS</b>	F
<b>FRAME</b>	449T	<b>I.P.</b>	55	<b>TYPE</b>	P	<b>ENCL</b>	TEFC	<b>CODE</b>	H
<b>POWER FACTOR</b>	88	<b>3/4 LOAD EFF.</b>	96.1		<b>NEMA NOM EFFICIENCY</b>	96.2			
<b>CHP HZ</b>	60-90	<b>CT HZ</b>	15-60		<b>VT HZ</b>	6-60			
<b>SER.NO.</b>				<b>MOTOR WEIGHT</b>					

Nameplate NP2496L	
MOBIL POLYREX EM	

Parts List		
Part Number	Description	Quantity
SA293596	SA P44G1815	1.000 EA
RA279689	RA P44G1815	1.000 EA
000613007PV	SS NP, CRUSHER DUTY, EMBOSSED,MAIN MOTOR	1.000 EA
000692000FF	N/P	1.000 EA
000692000VD	LABEL WARNING	1.000 EA
004824015A	GREASE POLYREX EM	1.156 LB
032018008CK	HHCS 3/8-16X1L PLATED	4.000 EA
032018020FK	HHCS 3/4-10X2-1/2 PLTD.	4.000 EA
032018030DK	HHCS 1/2-13X3-3/4 PLTD.	3.000 EA
032620016LA	SOCKET SET SCREW-449	3.000 EA
034017014AB	LCKW 3/8 STD. PLATED	4.000 EA
034180014DA	KEY 1/4X1/4X1-3/4 L	1.000 EA
034530064AB	P/NIP 1/8 X 8" L Pipe Nipple	1.000 EA
034530064BB	P/NIP 1/4X8 PLATED	1.000 EA
034631002AB	BUSH 1/4 TO 1/8 PLTD.	1.000 EA
035000001G	GREASE RELIEF FITTING, ALEMITE 317400	1.000 EA
034690005AB	PPLG 3/4 PLATED	2.000 EA
078550001H	FAN KB 120/60 360	1.000 EA
083199082A	G28 FAN COVER MACHINING SHORT VERSION	1.000 EA
089490099A	G28 BRKT 089490098WCA KB	1.000 EA
410700004A	WSHR	1.000 EA
415045002A	SLGR	1.000 EA
415072001B	CLAMP	1.000 EA
415096002A	CPLG 1/8 HEX TYPE	1.000 EA

Parts List (continued)		
Part Number	Description	Quantity
032018004BK	HHCS 5/16-18X1/2 PLATED	3.000 EA
032018006BK	HHCS 5/16-18X3/4 PLATED	3.000 EA
032018020FK	HHCS 3/4-10X2-1/2 PLTD.	4.000 EA
032018030DK	HHCS 1/2-13X3-3/4 PLTD.	3.000 EA
034017013AB	LCKW 5/16 STD. PLATED	3.000 EA
034530064AB	P/NIP 1/8 X 8" L Pipe Nipple	1.000 EA
034530064BB	P/NIP 1/4X8 PLATED	1.000 EA
034631002AB	BUSH 1/4 TO 1/8 PLTD.	1.000 EA
035000001G	GREASE RELIEF FITTING, ALEMITE 317400	1.000 EA
034017013AB	LCKW 5/16 STD. PLATED	3.000 EA
089490099A	G28 BRKT 089490098WCA KB	1.000 EA
415915007G	GASK, LAC	1.000 FT
415045002A	SLGR	1.000 EA
415096002A	CPLG 1/8 HEX TYPE	1.000 EA
418151014G	RETAIN RING	1.000 EA
702623022A	G28 AIR DEFLECTOR DRIVE END -- PLASTIC	1.000 EA
702623013A	THERMAL BARRIER -- G28 -- BRACKET MTD	1.000 EA
032018008BK	HHCS 5/16-18X1L PLATED	4.000 EA
032018008DK	HHCS 1/2-13X1 PLATED	4.000 EA
033512004LB	HHTTS 1/4-20X1/2 PLTD.	1.000 EA
035000001A	ALFTG 1/8" 1610-BL	1.000 EA
035000001A	ALFTG 1/8" 1610-BL	1.000 EA
067053014A	GASK 440	1.000 EA
076870000B	+CBCST BLKT - 440	1.000 EA

Product Information Packet: ECR92504T-4 - 250HP,1785RPM,3PH,60HZ,449T,A44128M,TEFC

076871000A	+CBOX CVR BLKT - 449	1.000 EA
406056007A	GASKET, 440	1.000 EA
406099000A	PLUG - FAN COVER 320-440	1.000 EA
415000103D	T/LUG #4AWG-1/0AWG W/HOLE FOR .250 BOLT	1.000 EA
418150003A	GREASE FITTING CAP	1.000 EA
418150003A	GREASE FITTING CAP	1.000 EA
033775004EA	DRSCR #6-1/4 304 S.S.	2.000 EA
034180054KA	7/8 SQ X 6.75 KEY	1.000 EA
MG1025G96	WILKOFASST SG, 779.7048, MOUSE GRAY #7048	0.500 GA
421948051	LABEL, MYLAR	1.000 EA
PK5005A01	WOOD BASE 449 60 X 41-1/2 BLT 25 X 18	1.000 EA
000613006PU	N/P (RELEASE QTY 10,000) UL CSA LABEL	1.000 EA
NP2496L	MOTOR LUBE NAMEPLATE	1.000 EA
412118006A	DRAIN	2.000 EA



S/O	FRAME	HP	TYPE	PHASE/ HERTZ	RPM	VOLTS
	449T	250	P	3/60	1785	460
AMPS	DUTY	AMB °C/ INSUL	S.F.	NEMA DESIGN	CODE LETTER	ENCLOSURE
278	CONT	40/F	1.15	A	H	TEFC
E/S	ROTOR	TEST S.O.	TEST DATE	STATOR RES. @25 °C OHMS (BETWEEN LINES)		
-	418143031HE	---	---	.0121		

**PERFORMANCE**

LOAD	HP	AMPERES	RPM	% POWER FACTOR	% EFFICIENCY
NO LOAD	0	70.0	1800	5.27	0
1/4	62.5	96.7	1796	64.7	93.6
2/4	125	148	1793	82.5	95.9
3/4	187	210	1789	86.6	96.3
4/4	250	278	1785	87.5	96.2
5/4	312	348	1781	87.7	95.9

**SPEED TORQUE**

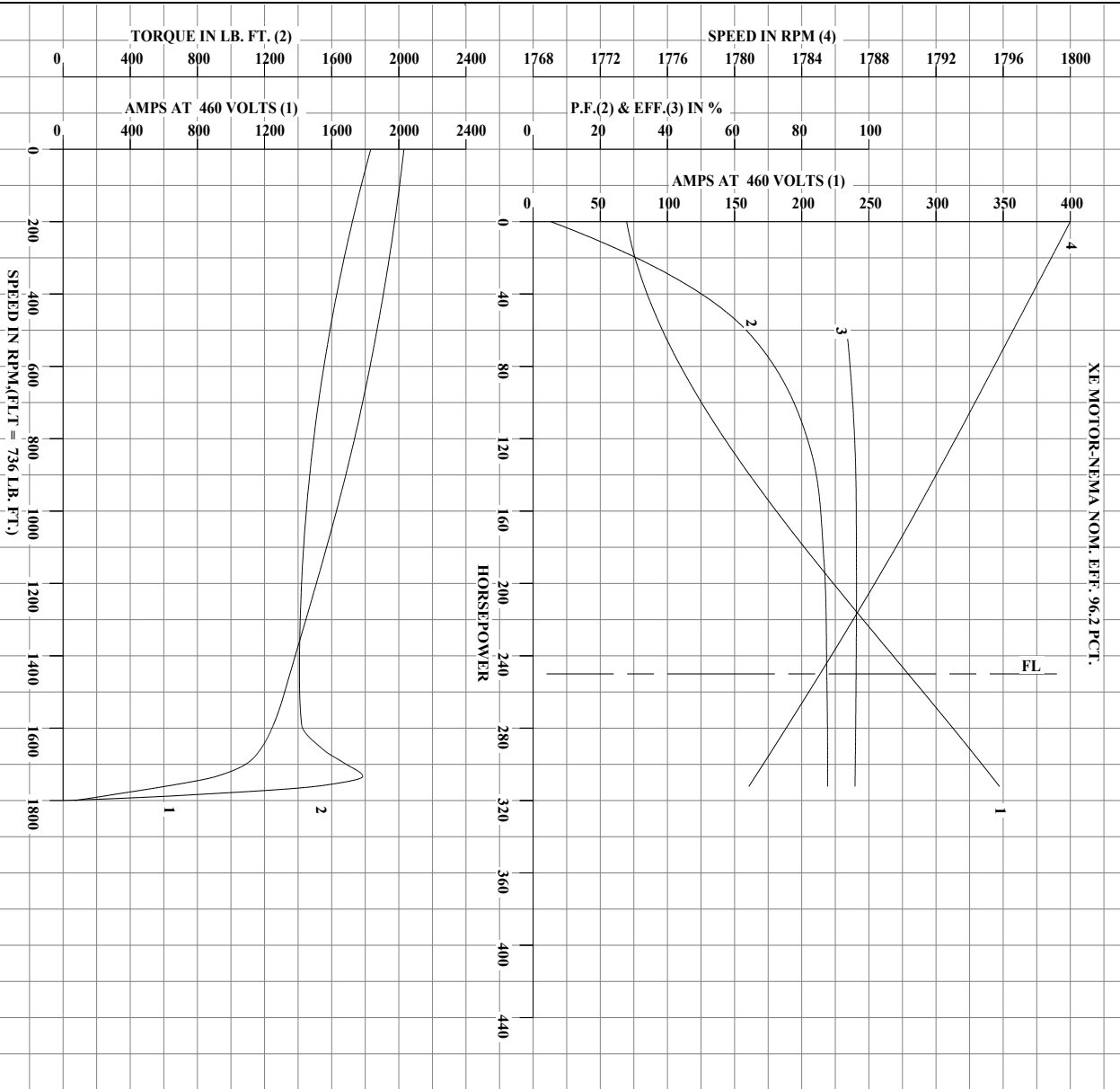
	RPM	TORQUE % FULL LOAD	TORQUE LB.-FT.	AMPERES
LOCKED ROTOR	0	249	1833	2030
PULL UP	1450	191	1408	1351
BREAKDOWN	1733	243	1785	913
FULL LOAD	1785	100	736	278

AMPERES SHOWN FOR 460 VOLT CONNECTION. IF OTHER CONNECTIONS ARE AVAILABLE, THE AMPERES WILL VARY INVERSELY WITH THE RATED VOLTAGE.

CALCULATED DATA  
XE MOTOR-NEMA NOM. EFF. 96.2 PCT.

 A MEMBER OF THE ABB GROUP	DRAWN BY: CD	AC MOTOR PERFORMANCE DATA	A44WG5111-R001 DATE ISSUED 02/05/20
	CHECKED BY: T. KELATI APPROVED BY: T. KELATI DATE: 02/05/2015		

REL.S.O.	FRAME 449T	RPM 1785	S.F. 1.15	ROTOR 418143031HE
HP 250	VOLTS 460	AMPS 278	NEMA DESIGN A	TEST S.O. CALCULATED DATA
TYPE P	DUTY CONT	AMB °C/INSUL 40/F	ENCLOSURE TEFC	TEST DATE --
PHASE/HERTZ 3/60			E/S -	STATOR RES. @ 25°C .0121
				OHMS (BETWEEN LINES)



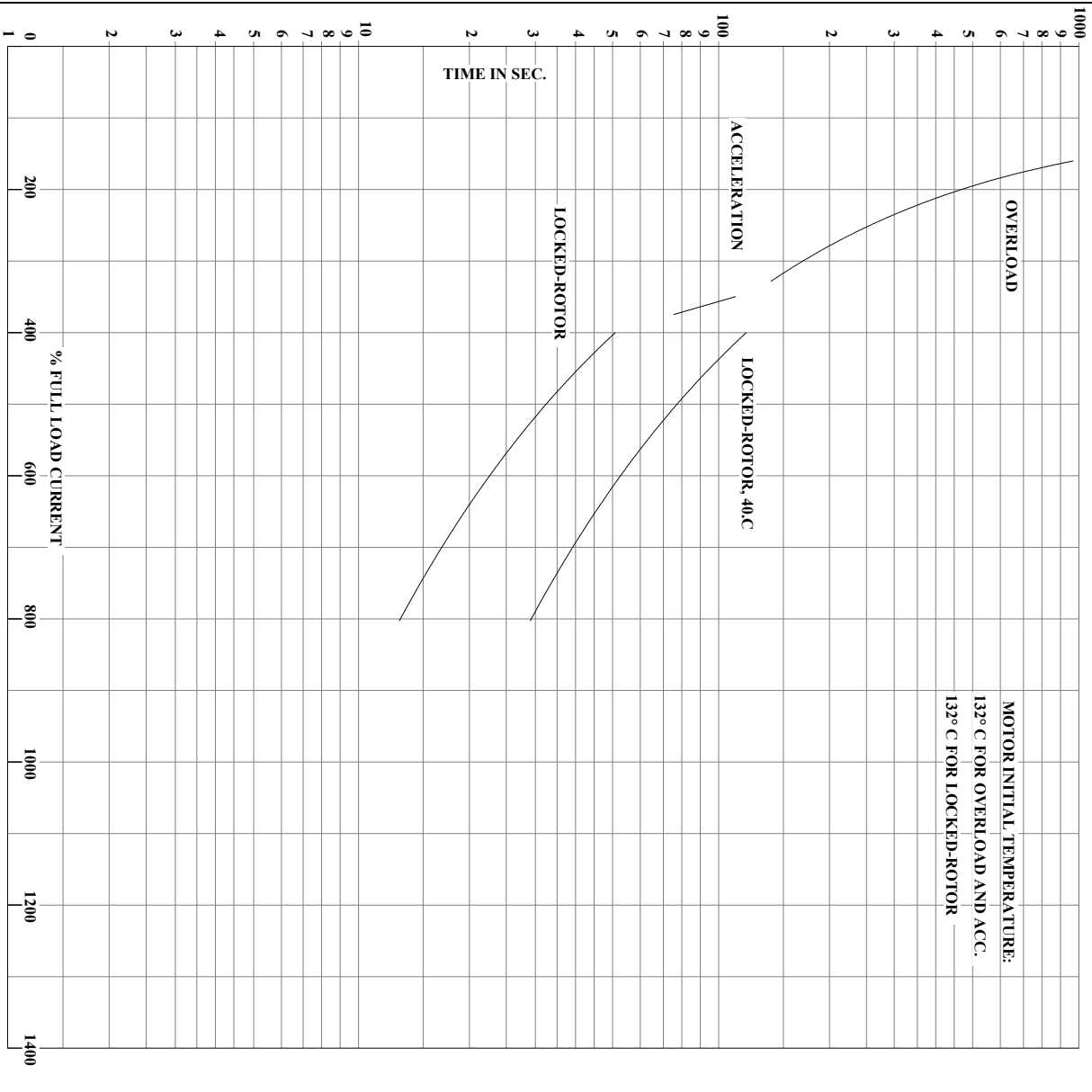
AMPERES SHOWN FOR 460 VOLT CONNECTION, IF OTHER VOLTAGE CONNECTIONS ARE AVAILABLE, THE AMPERES WILL VARY INVERSELY WITH THE RATED VOLTAGE.

<p><b>BALDOR</b> A MEMBER OF THE ABB GROUP</p>	DRAWN BY: CD	AC MOTOR PERFORMANCE DATA	A44WG5111-R001
	CHECKED BY: T.KELATI APPROVED BY: T.KELATI DATE: 02/05/2015		

USERCHR1

Printed on 09/26/2017 7:58 AM

REL.S.O. 449T	RPM 1785	S.F. 1.15	ROTOR 418143031HE
FRAME 250	VOLTS 460	NEMA DESIGN A	TEST S.O. CALCULATED DATA
HP 250	AMPS 278	CODE LETTER H	TEST DATE --
TYPE P	DUTY CONT	ENCLOSURE TEFC	STATOR RES. @ 25°C .0121
PHASE/HERTZ 3/60	AMB °C/INSUL 40/F	E/S -	OHMS (BETWEEN LINES)



AMPERES SHOWN FOR 460 VOLT CONNECTION, IF OTHER VOLTAGE CONNECTIONS ARE AVAILABLE, THE AMPERES WILL VARY INVERSELY WITH THE RATED VOLTAGE.

	DRAWN BY: CD	AC MOTOR PERFORMANCE DATA	A44WG5111-R001
	CHECKED BY: T.KELATI APPROVED BY: T.KELATI DATE: 02/05/2015		

USERCHR1

Printed on 09/26/2017 7:58 AM

## DUTY MASTER ALTERNATING CURRENT MOTORS

SQUIRREL-CAGE INDUCTION

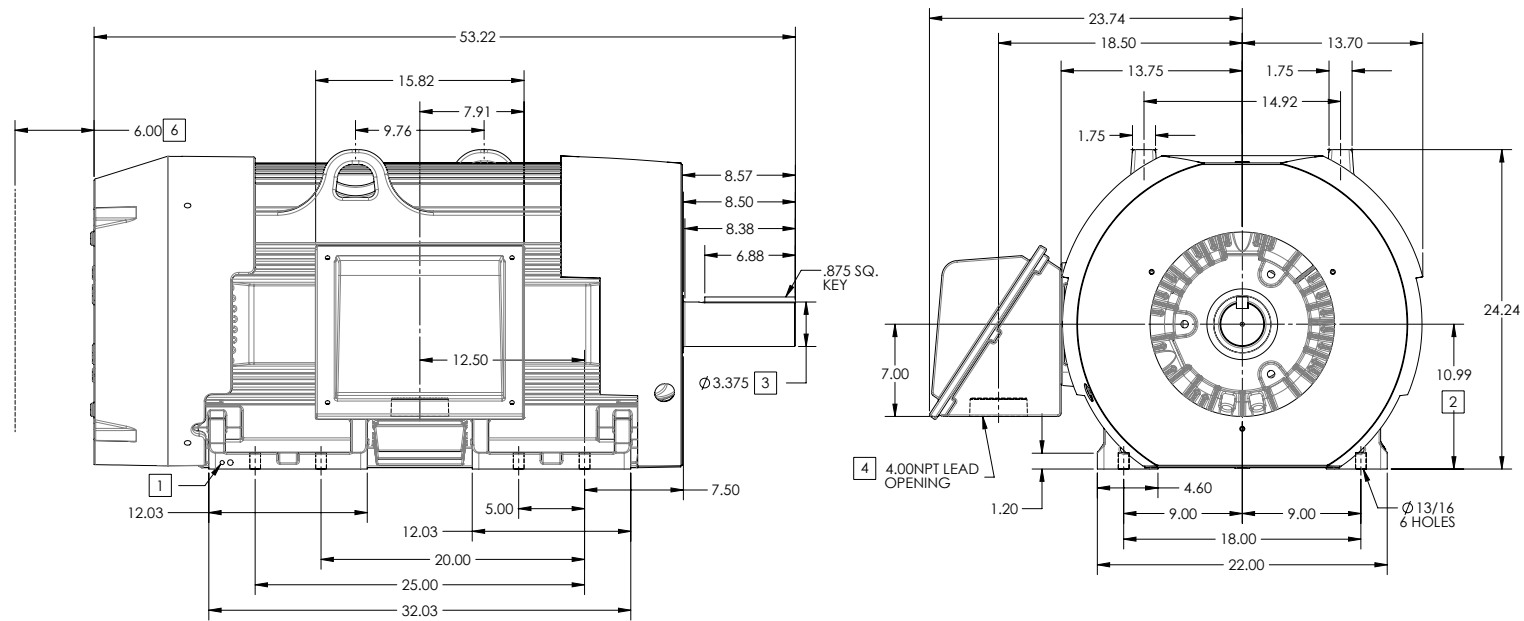
ENCLOSURE: TOTALLY ENCLOSED

FRAME 449T ABOVE NEMA RATINGS

COOLING: FAN COOLED

MOUNTING: FOOT

INCLUDES 449T FRAME MOUNTING HOLES



1. GROUND HOLES QTY 1 1/2-13 TAP; QTY 1 3/8-16 TAP
2. VARIES +.01,-.05
3. VARIES +.000,-.001
4. ON STANDARD MOTORS THIS IS CONDUIT SIZE. ON XT AND CORROSION PROOF MOTOR THIS IS PIPE TAP.
5. MOTOR WEIGHTS MAY VARY BY 15% DEPENDING ON RATING.
6. OBSTRUCTION MUST NO ENCROACH ON AIR INLET

CONDUIT BOX LOCATED ON OPPOSITE SIDE WHEN F-2.  
IF MOUNTING CLEARANCE DETAILS ARE REQUIRED, CONSULT FACTORY.  
MAXIMUM PERMISSIBLE SHAFT RUNOUT WHEN MEASURED AT END OF  
STANDARD SHAFT EXTENSION IS .003" T.I.R. TO 5 INCH DIA.

**[5] WEIGHT (LBS): 3080**

DRIVE END AIR DEFLECTOR IS ONLY INCLUDED WHEN NECESSARY.

DIMENSIONS ARE IN INCHES

CUSTOMER IS RESPONSIBLE FOR DETERMINING THAT MOTOR PERFORMANCE IS SUITABLE IN THE APPLICATION.

SHEET NUMBER  
**1 OF 2**

1607-27-119

REV. DESC: ADD C DIMENSION			
REV: B	VERSION: 02	REVISED: 02-45-42 09/29/2015	TDR: 00000942902
MODEL NO. 617427-091			
BY: USBRCHA2			

**BALDOR**

G449/447T SIDE MOUNT C-BOX,TEFC

## DUTY MASTER ALTERNATING CURRENT MOTORS

SQUIRREL-CAGE INDUCTION

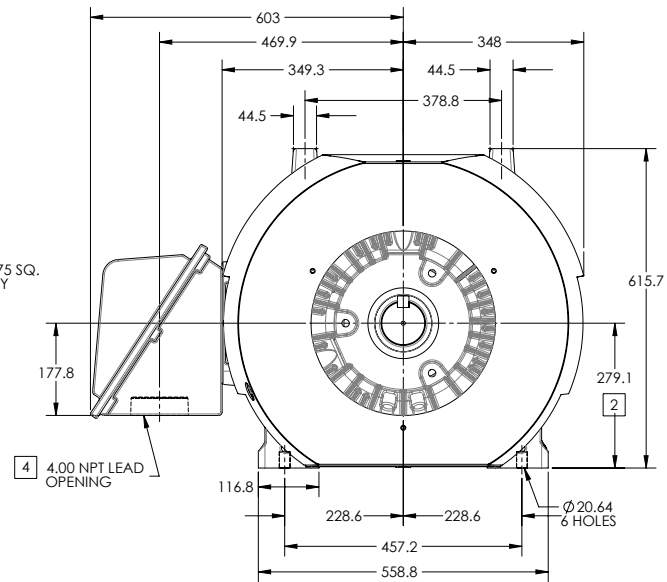
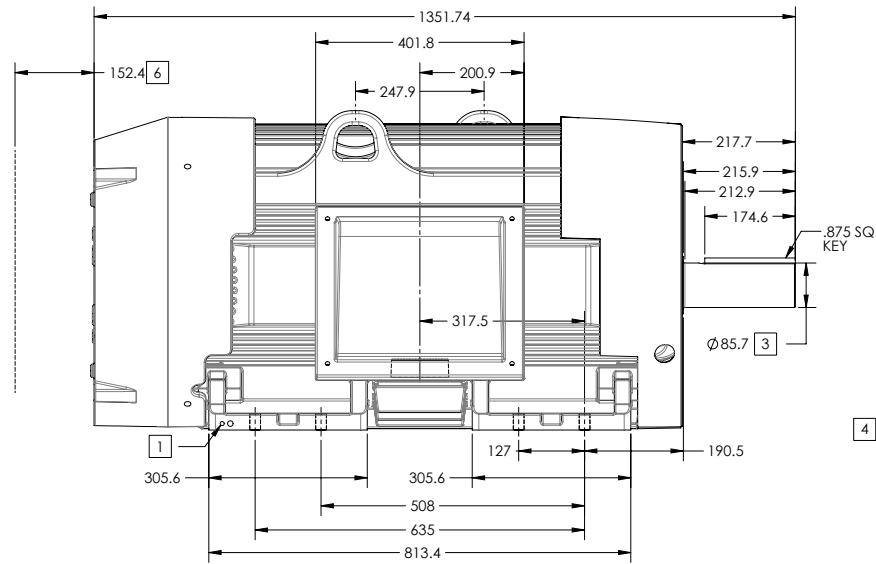
ENCLOSURE: TOTALLY ENCLOSED

FRAME 449T ABOVE NEMA RATINGS

COOLING: FAN COOLED

MOUNTING: FOOT

INCLUDES 449T FRAME MOUNTING HOLES



1. GROUND HOLES QTY 1 1/2-13 TAP; QTY 1 3/8-16 TAP
2. VARIES +.00,-1.524
3. VARIES +.000,-.0254
4. ON STANDARD MOTORS THIS IS CONDUIT SIZE. ON XT AND CORROSION PROOF MOTOR THIS IS PIPE TAP.
5. MOTOR WEIGHTS MAY VARY BY 15% DEPENDING ON RATING.
6. OBSTRUCTION MUST NO ENCROACH ON AIR INLET

5 MASS (KGS): 1395

DRIVE END AIR DEFLECTOR IS ONLY INCLUDED WHEN NECESSARY.

DIMENSIONS ARE IN MILLIMETERS, SEE SHEET 1 FOR DIMENSIONS IN INCHES

CUSTOMER IS RESPONSIBLE FOR DETERMINING THAT MOTOR PERFORMANCE IS SUITABLE IN THE APPLICATION.

CONDUIT BOX LOCATED ON OPPOSITE SIDE WHEN F-2.  
IF MOUNTING CLEARANCE DETAILS ARE REQUIRED, CONSULT FACTORY.  
MAXIMUM PERMISSIBLE SHAFT RUNOUT WHEN MEASURED AT END OF  
STANDARD SHAFT EXTENSION IS .0762 T.I.R. TO 127 MM DIA.

SHEET NUMBER  
2 OF 2

160727-119

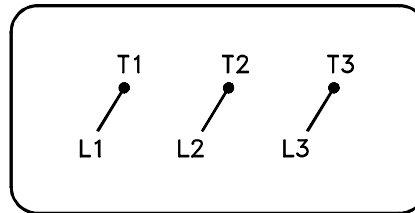
REV. DESC: ADD C DIMENSION			
REV: B	VERSION: 02	REVISED: 02-45-42 09/29/2015	TDR: 00000942902
MODEL NO. 617427-091			
BY: USBRCHA2			

**BALDOR**

G449/447T SIDE MOUNT C-BOX,TEFC

416820-036

A-C MOTOR  
 CONNECTION DIAGRAM  
 STANDARD 3 LEAD CONNECTED



(N.P. 1575-BA)

416820-036

REV. DESC: LOADED TO BUS, C/R 335225		
REV. LTR: -	VERSION: 00	TDR: 000000538207
FILE: \MGA\00000\682	REVISED: 11:54:06 04/30/2010	
MTL: -	BY: RAGRA	

**BALDOR**

CONN DIAG - STANDARD 3 LEAD

SH 1 of 1

Marketing maintained PDF of MN408:

<http://www.baldor.com/support/Literature/Load.ashx/MN408?ManNumber=MN408>

Marketing maintained PDF of MN416:

<http://www.baldor.com/support/Literature/Load.ashx/MN416?ManNumber=MN416>